

# BIMM4 SERIES

## CARBINE

1/1 NEW GENERATION AIRSOFT ELECTRIC GUNS  
USE 6MM BB BULLET



# BIM203

ADD ON SYSTEM GRENADE LAUNCHER  
M4 TYPE ATTACHMENT  
FOR M4 SERIES  
**M4A1 CARBINE**  
**M4 R.I.S. VERSION**

FIXED  
**HOP  
UP**  
VERSION

LONG  
VERSION

VARIABLE  
**HOP  
UP**  
VERSION

### 使用之前请先仔细阅读说明书

Always read through this manual before operation.



18岁以上年龄才能使用  
The age over 18 years  
of age then can use

18岁以上的才能使用这支汽枪。  
Operation of this air gun for competition use is restricted of 18 years of age or older.



注意受损伤  
Injury caution

因为BB弹能达到40-50米范围，不小心的射击将可能造成眼睛损伤或其它伤害。  
Since plastic BB bullets reach 40to 50meters, careless shooting may cause eye  
damage other injuries.



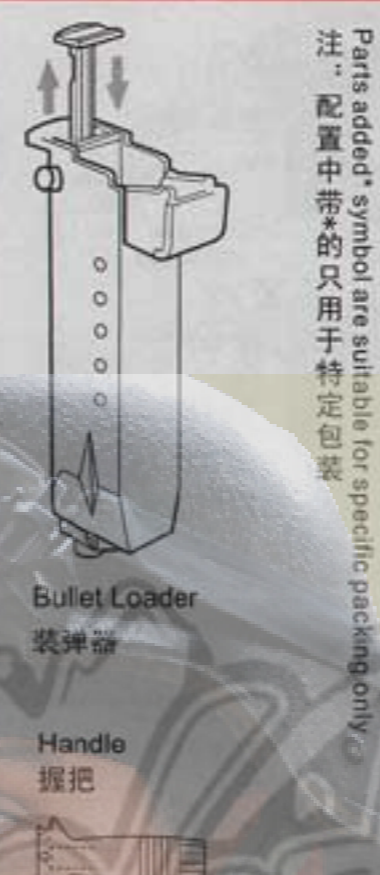
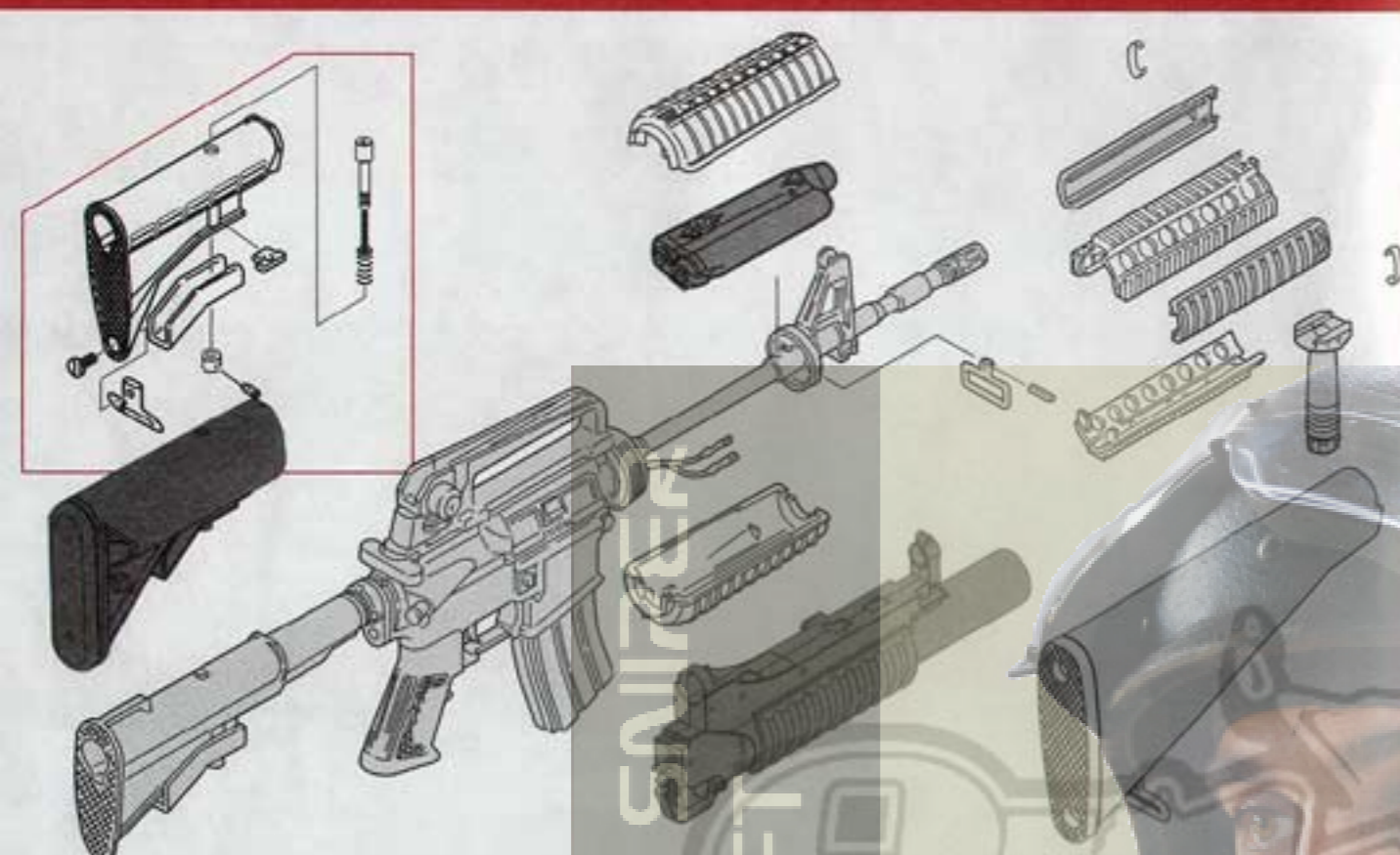
注意熟读警告指示手册  
Careful reading of  
Handling cautions and  
instruction manual

使用前请先阅读说明书，保存此说明书以供日后使用参照。  
Always read through this manual before operation. Remain this manual for future  
reference.

# PARTS

# OTHER PARTS 其他配件

# SETTING THE OPEN SIGHT 瞄具的使用方法



Bullet Loader  
装弹器

Handle  
握把

Special charger  
专用充电器



Rechargeable battery  
充电电池



三点式战术枪带  
TACTICAL 3 POINT SLING (Diy)

Cleaning Rod 清通棒

注：配置中带\*的只用于特定包装  
Parts added\* symbol are suitable for specific packing only

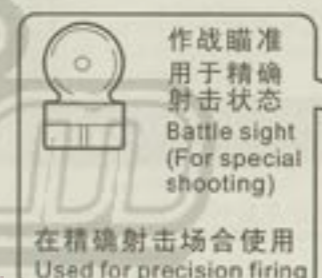
后瞄具1左-右风偏的调整  
Rear Sight 1. For left-right adjustment.



顺时针方向的旋转  
抬高子弹着弹点  
Turning clockwise  
Raises the bullet hitting point

逆时针方向的旋转  
降低子弹着弹点  
Turning counterclockwise  
Lowers the bullet hitting point

后瞄具2精确射击调整  
Rear Sight 2. For precision targeting



后瞄具3上下调整  
Rear Sight 3. For up-down adjustment.



## WARNING 警告

Always use precision BB Bullets for this air gun. Never use any used BB bullets.  
请使用精密BB子弹。不要使用任何使用过的BB子弹。

Never hold the gun sideways as the BB bullets will curve right or left. This is due to the HOP-UP system.  
切勿把枪立侧置射击，因为上膛系统(HOP-UP)会导致子弹偏向左或右。

Pressing the trigger with the safety switch being set to SAFE may damage the gun.  
当选择杆在SAFE时，切勿扳动扳机。

Don't disassemble beyond what is necessary. Or the gun may be damaged.  
不要随意拆卸，以防枪可能受损。

Never aim or shoot a person or animal as the target. Always set the selector on SAFE position except when you are ready to shoot a target.  
不可把人或动物当作目标瞄准或射击。在决定对目标进行射击前，请保持选择杆在SAFE位。

Small may be generated from the motor for a while when a new air gun is operated. This is the normal operation of the gun.  
刚使用新枪时，马达运转一段时间后可能会产生气流。

Don't look directly into the gun barrel to avoid accidental discharge of BB.  
不要直接朝枪管看，以避免BB意外发射。

When bullets are clogged, immediately stop operation. Remove clogged bullets and then restart operation of the air gun.  
当塞弹时，立刻停止操作。清除阻塞子弹，然后重新启动气枪。

Select a safe place for operating the air gun, avoiding places where people and cars pass cross or third persons are around.  
选择一个安全的地方操作气枪，避免选择有行人、车辆或第三人周围的地方。

**SELECTOR LEVER AND SAFETY SETTING 单/连发及安全装置**

**SAFETY SETTING 安全设定**  
SAFETY 安全开启状态

**SEMI(SINGLE-FIRE) 半自动(单发)**  
SEMI 安全关闭状态

**AUTO(A RUNNING FIRE) 全自动(连发)**  
AUTO 安全关闭状态

Make sure the knob for choosing shoot ways is moved to "SAFE" place.  
确定发射方式选择杆已提到"安全"位置。

When the knob moves to this place, you can only shoot one bullet each time.  
把选择杆提到此位置时,一次只能发射一发子弹

when the knob moves to this place, you just buckle the trigger, and the bullets will be shot continuously.  
把选择杆提到此位置时,只要扣动扳机,子弹会被连续地发射出去。

**VERTICAL FORE GRIP ADJUSTMENT 前垂直握把调整方法**



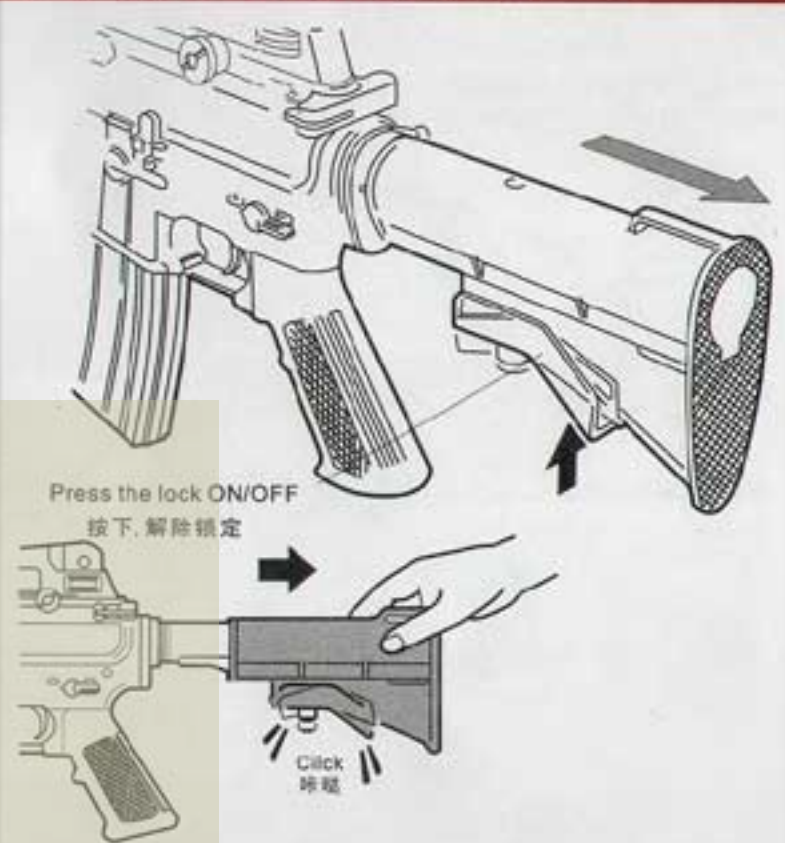
Vertical fore grip 前垂直握把

**SETTING THE MAGAZINE 弹匣装填**



1 Press the magazine release button to remove the magazine.  
按弹匣卸钮,取出子弹匣

**RETRACTABLE STOCK 伸缩托**

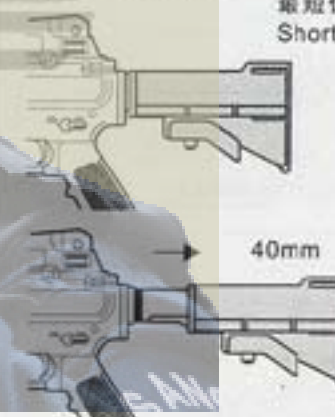


Adjust to the most comfortable position.  
调节至最舒服位置

Pull it to the lock place, the lock controller can replace automatically and relock the gunstock.  
拉到某个锁定位置后,解锁控制杆会自动复位,重新锁定枪托

Adjust length of 4 position.  
长度有4种调节位置

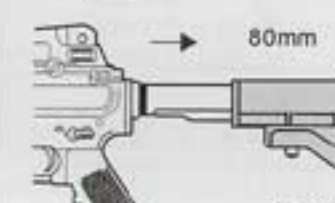
最短位置 全长760mm  
Shortest Position



40mm



60mm



80mm

最长位置 全长840mm  
Longest Position

**CHARGE THE POWERFUL BATTERY 电池充电**



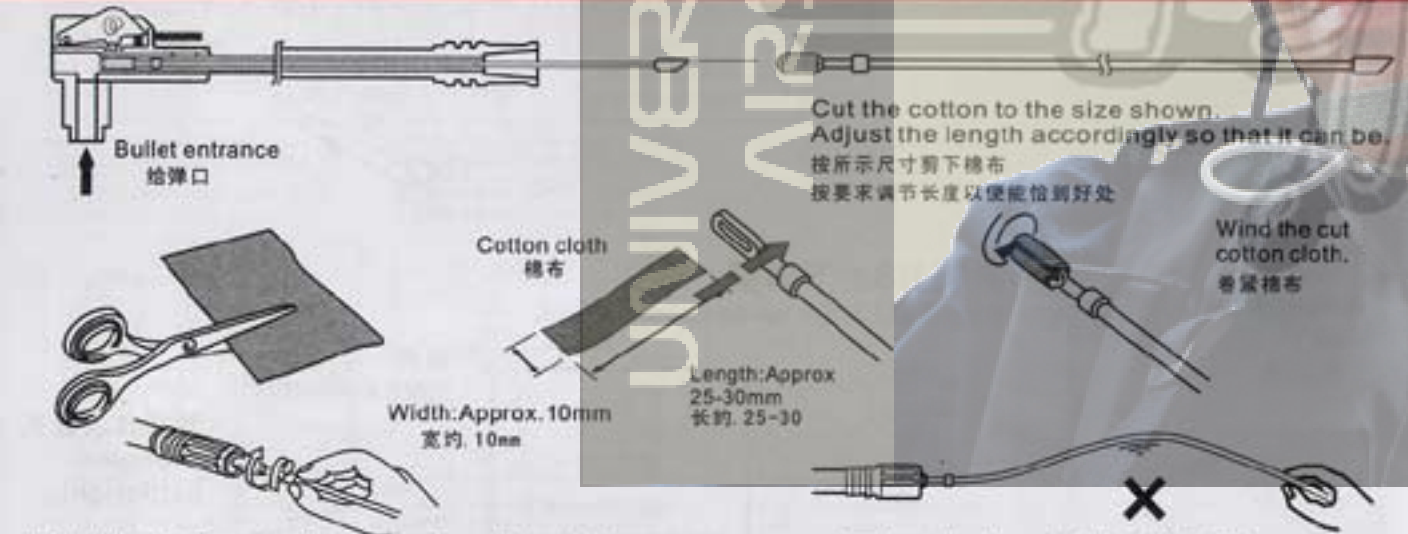
Connect: Press the battery plug to insert into the output socket of the charger till hear "click".  
连接: 按住电池插头插入到充电器的输出插头中直到发出"咔哒"一声。

Discharge the battery completely before charging it for the first time and the charging time is 12 hours. Battery charging time is about 7-8 hours, do not extra to avoid the over-charge. The temperature can't over 45 during charging or will damage to the battery. Rechargeable batteries air not to be removed from the toy before being recharged (if remove). Batteries are to be inserted with correct polarity. Exhausted batteries are to be removed from the toy. The supply terminals are not to be short be short circuited.

在第一次充电前,先将电池完全放电,充电时间为12小时。电池充电需要7-8小时左右,不要超过这个时间,以免过度充电。在充电过程中请注意电池温度不得超过45度,否则将损坏电池。在再次充电之前,要确保电池没有与充电器分开。请按正确的极性指示安装。不能使用的电池必须立即丢弃。要确保供电时没有短路。

**MAINTENANCE WHEN BULLET SPEED BECOMES LOW REMOVING CLOGGED BULLET**

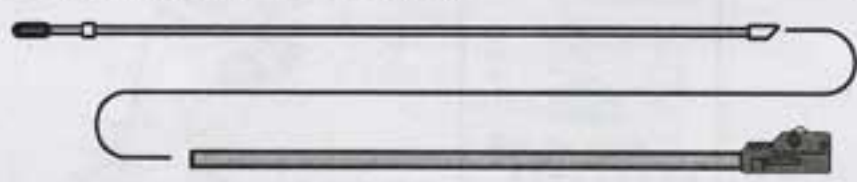
**维护/疏通**



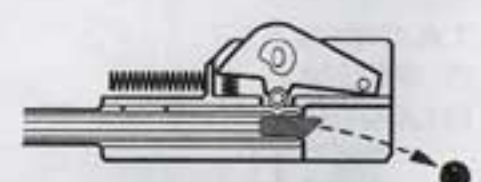
Cut the cotton to the size shown. Adjust the length accordingly so that it can be inserted into the barrel.  
按所示尺寸剪下棉布。按要求的长度以便能恰到好处。

Hold at the leading end of the rod and insert the rod into the barrel while turning the rod.  
握紧疏通杆末端,在插入枪膛时一并旋转疏通杆

Inserting the rod will be difficult if you hold rod at the end.  
如果你抓住杆的末端,将会较难插入杆子



Insert the cleaning rod from the lead edge of the barrel.  
将清弹器从枪管的子弹边缘插入  
Make sure to clean the barrel chamber wherever bullets are removed  
子弹清除时一定要清洗枪膛



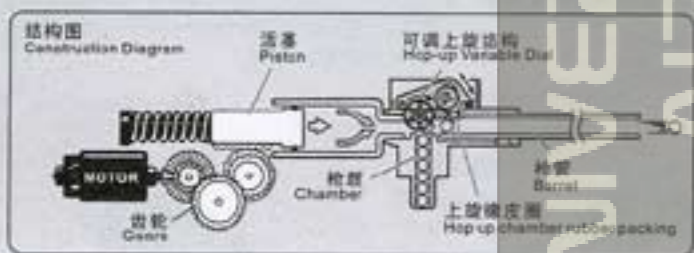
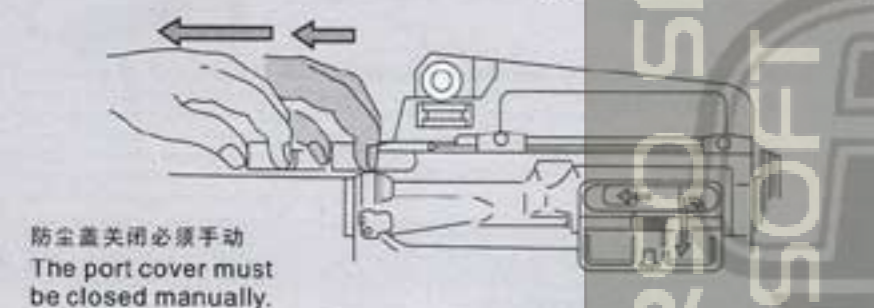
Be careful so that the angled part of the cleaning rod faces down, and remove clogged bullets.  
注意清弹器的尖角部分必须朝下,再取出阻塞的子弹

- 1 Install the magazine on the carbine till you hear the sound of "pata"  
把弹匣装在枪体上,直至听到"咔哒"一声。
- 2 Load the Bullets into the loader.  
(It can be loaded with about 100 bullets.)  
将子弹装入弹匣内。(约100颗)
- 3 Push the bullets down using the Bullets Loading Rod. Do not pull magazine  
用装弹棒将弹匣内的子弹推入弹匣内。注意不要过度用力。



## 上旋结构的使用方法 SETTING THE HOPUP

枪机拉柄拉动可打开防尘盖将释出可调上旋结构  
Pulling the charging handle will expose the hop up adjustment dial in the part cover.



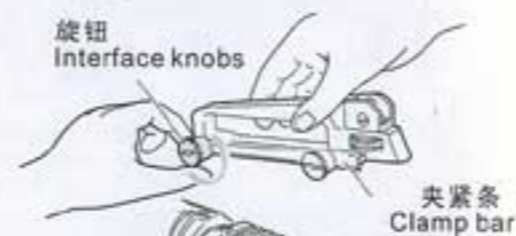
确保HOPUP调整件清洁没有污垢  
Be sure that the adjustment dial is never contaminated by dust and dirt.

最佳的调整位置能使子弹水平飞行同时获得最长的射程  
The best position is where the bullets fly horizontally, and the longest flying distance is obtained.



## 提把的使用方法 USING THE CARRYING HANDLE

如图放松旋钮并移动提把  
Loosen the interface knob and remove the Carrying Handle as shown.

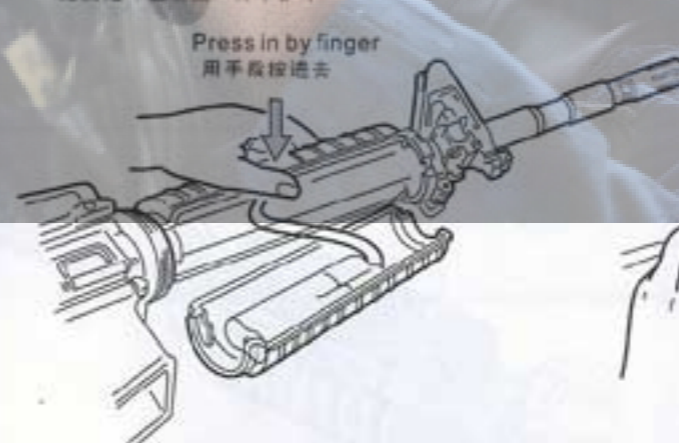
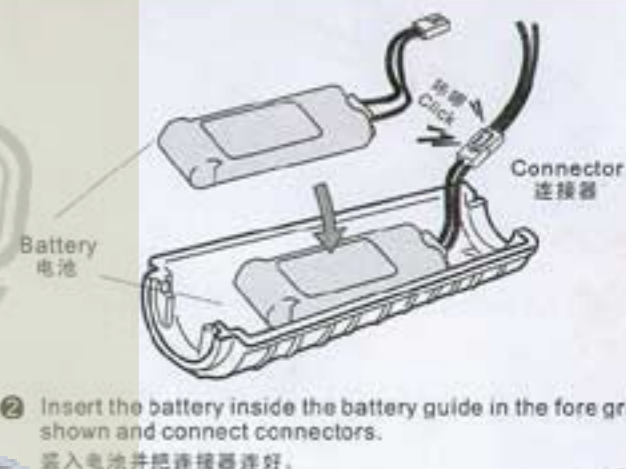
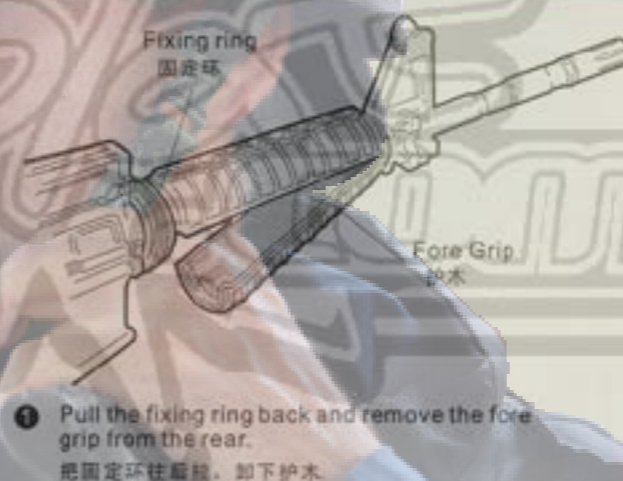


装配轨道(鱼骨)20MM  
Mount rail

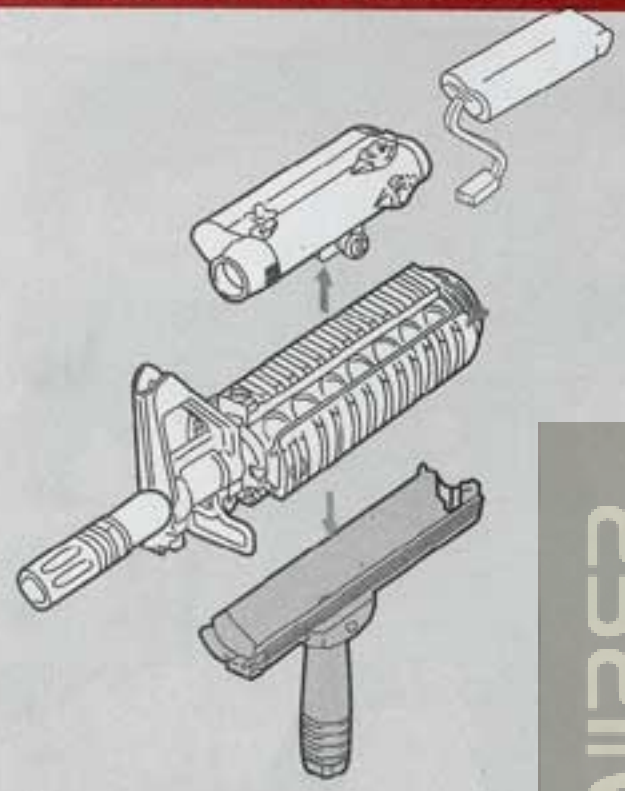
瞄准镜能安在装配轨道上(通用)  
Scopes can be attached to the Mount rail



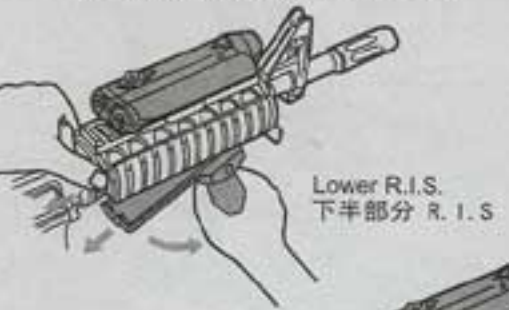
## SETTING THE BATTERY 电池的安装



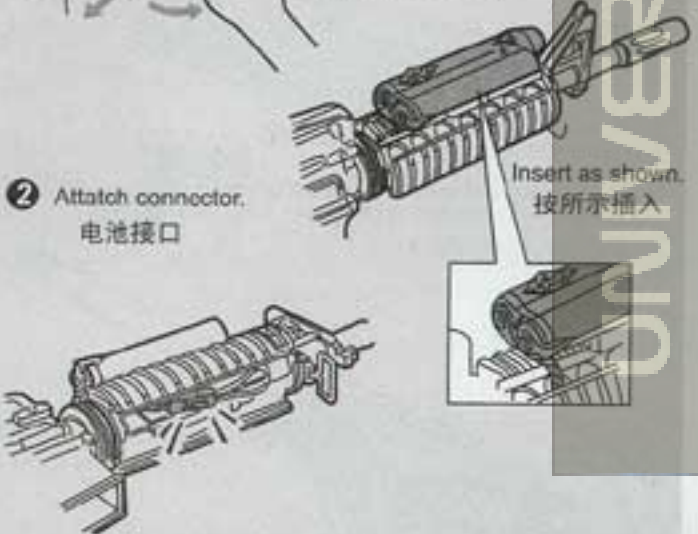
**SETTING THE BATTERY 电池装卸**



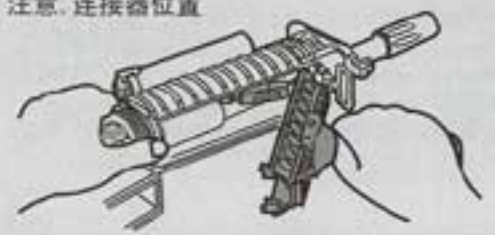
**1** Pull back ring and remove lower R.I.S  
拉回固定环并移动R. I. S下半部分



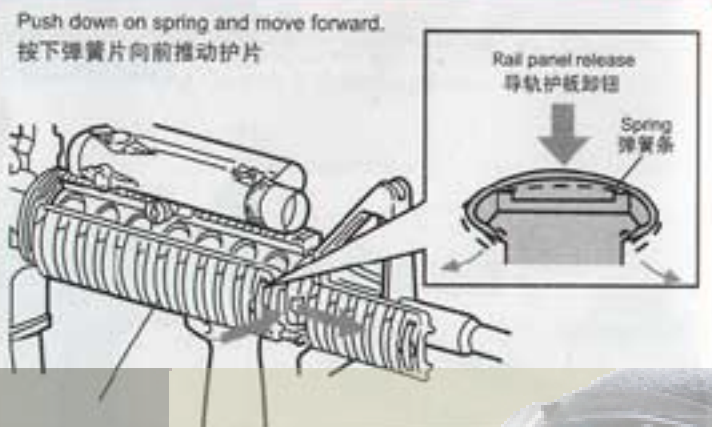
**2** Attach connector.  
电池接口



**3** Place connector into slot, pull back ring and replace lower R.I.S.  
把连接部分放进槽中, 拉回固定环并装回R. I. S下半部  
Caution, connectors position.  
注意, 连接器位置



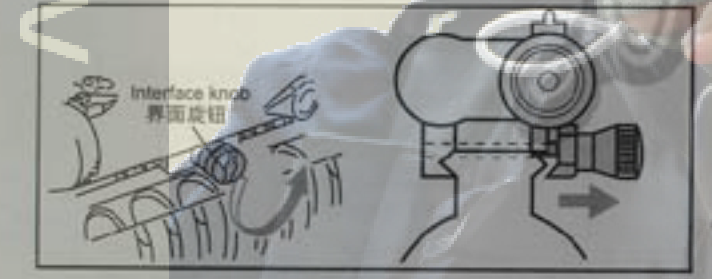
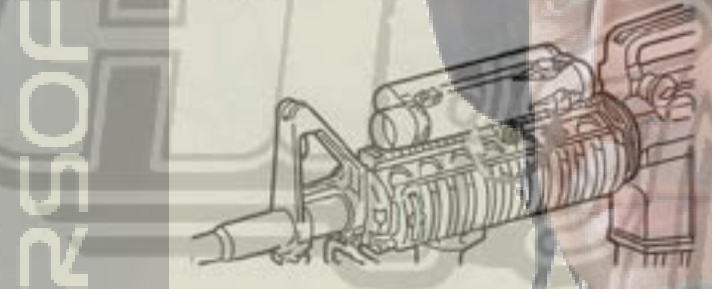
**HANDGUARD PANEL, BATTERY CASE ADJUSTMENT 护板/电池盒调整**



Handguard Panel  
握把护片

Removing the Battery Case  
移动电池盒

Loosen the interface knob after removing the battery  
松开界面旋钮可移动电池



Fasten the barrel into the front  
按顺时针方向安装

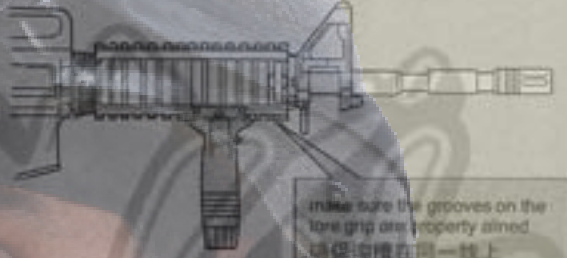
**VERTICAL FORE GRIP ADJUSTMENT 前垂直握把调整方法**



Catch Button  
卸除钮

Remove  
除去

Joint dial  
连接刻度盘



Vertical fore grip  
前垂直握把

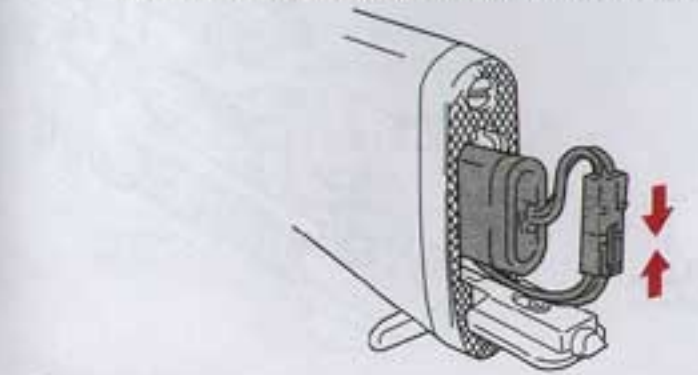


**SETTING THE BATTERY 电池装卸**

放下枪托底板并打开盖。  
Lower the butt plate nail and open the cover.



接好联接口并将电池装进枪托  
Insert the battery in the stock and connect the connector.

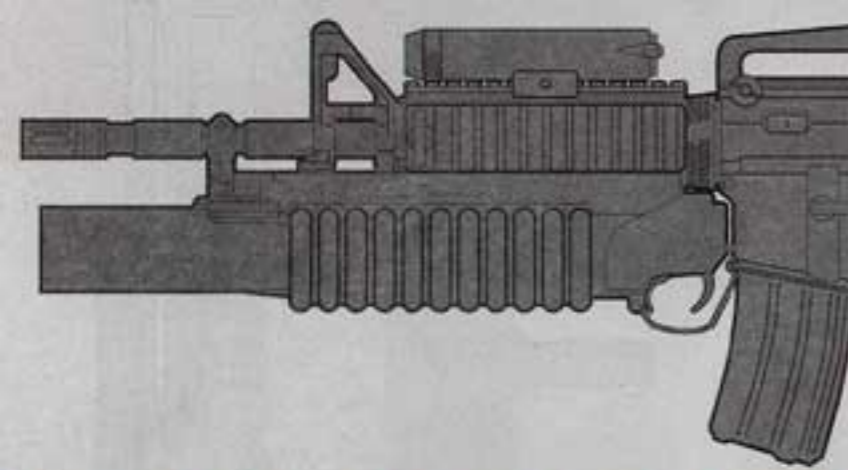


拉出联接口(不要拉出保险丝箱。)  
Pull out the connector. (Do not pull out the fuse box.)



将联接口突出部分面向外并盖好盖  
Set the connector with the projection facing outwards and close the cover.





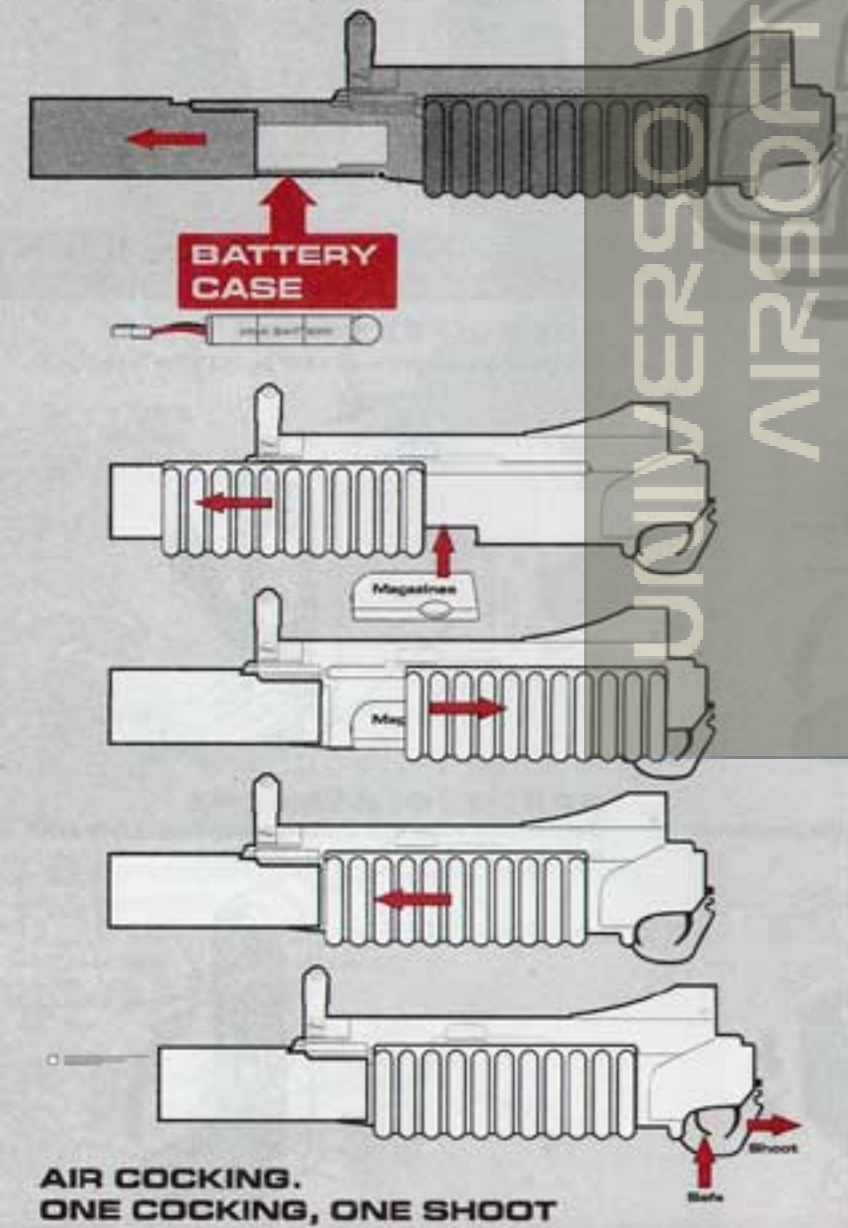
可用于M4A1和M4A1 R.I.S(如图所示)  
AVAILABLE FOR M4A1 AND M4A1 R.I.S  
(THE ILLUSTRATION SHOWS M4A1 R.I.S)

# BIM203

ADD ON SYSTEM GRENADE LAUNCHER  
M4 TYPE ATTACHMENT  
FOR M4 SERIES  
M4A1 CARBINE LONG VERSION  
M4 R.I.S. VERSION

BATTERY CASE  
FIT TO USE 8.4V/9.6 MINI BATTERY

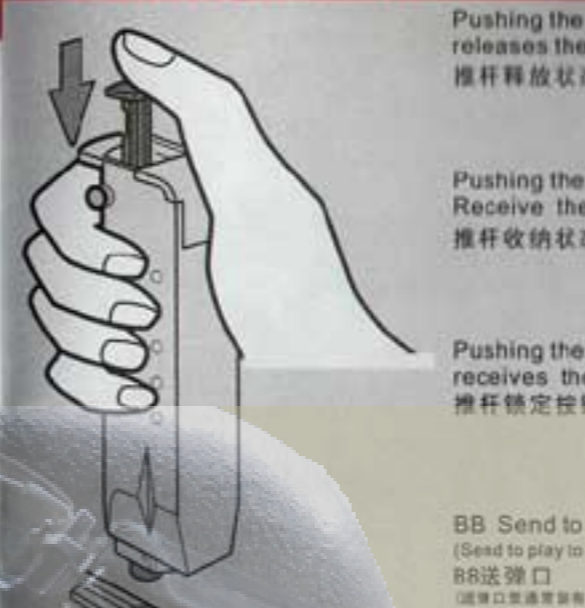
FIXED TOP UP VERSION



附上护木  
Attaching the Hand Guard

附上R.I.S.护木  
Attaching the R.I.S.

## QUICK BB LOADER 快捷上弹器



1 The BB plays to throw in  
BB弹投放口

BOYI Make BB bullet  
BOYI制BB弹  
Put into roughly 115 hair BBs play  
放入约115发BB弹

2 Cover the cover, relieve to push the pole target  
盖上盖，解除推杆锁定

3 Cover the cover  
盖上盖

4 Send to Play aim at magazine, Press to push the pole send to play  
送弹口对准弹夹口  
按下去推杆送弹

Press to can pack once 4-5 hairs play  
按一次能装4-5发弹

Pushing the pole presses to lock  
推杆按下去锁住

Pushing the pole Would be emallent back to play to please watch for  
推杆会有力回弹  
请注意

Pushing the pole targets the relief button Presses after all  
推杆锁定解除按钮  
需要按到底

