

# Manual

## FALCON DIGITAL FIRING CONTROL SYSTEM 2.0

**Importance:** pls use the Li-Po / Li-Ion only .

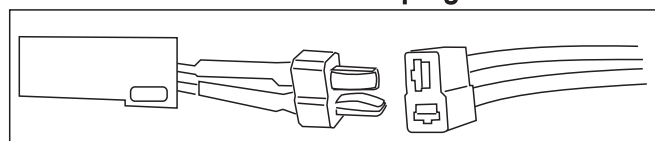
**FALCON Digital Firing Control System Is Available In Three Modes**

**MODE 1: 1 to 5 Shots Are Selectable**

**MODE 2: Adjusting Trigger Sensitivity**

**MODE 3: 1 Shot For Each Trigger Pull & Release Mode**

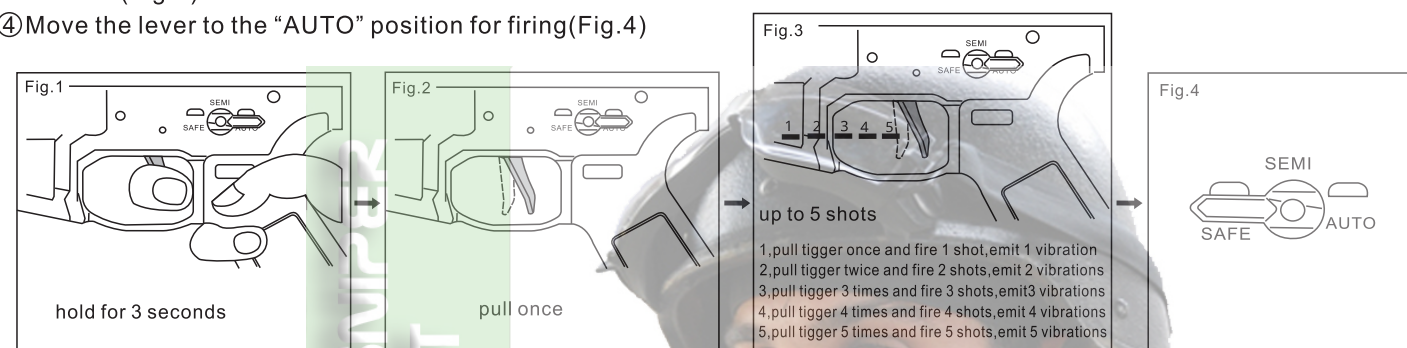
**We Recommend To Use The T-plug For Conversion To Make Sure You Operate Smoothly**



### 一, Instructions For FALCON Digital Firing Control System

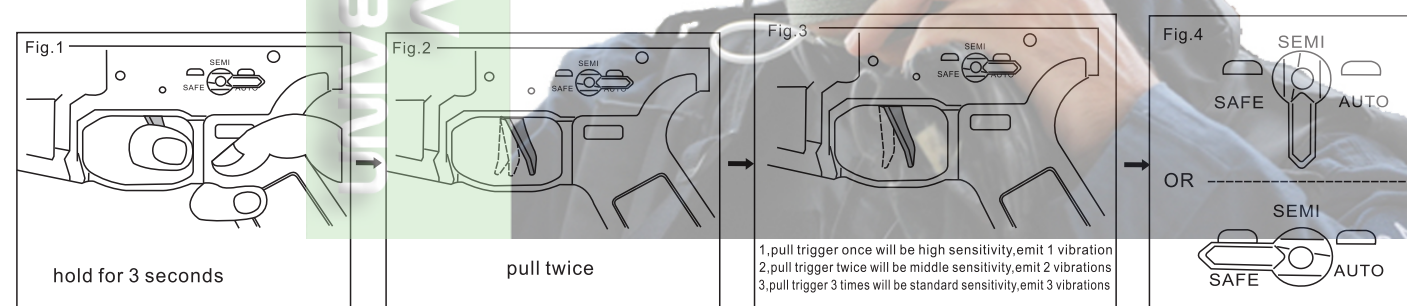
#### MODE 1: 1 to 5 Shots Are Selectable

- ① Move the lever to the "SAFE" position, pull the trigger and hold for 3 seconds, then release after the rifle emit vibration(Fig.1)
- ② Pull the trigger 1 more time and the mode 1 will be activated when the rifle emit vibration(Fig.2)
- ③ Set and select the quantity shots of each firing you want(up to 5), the number of the trigger is pulled corresponds to the number of shots(Fig.3)
- ④ Move the lever to the "AUTO" position for firing(Fig.4)



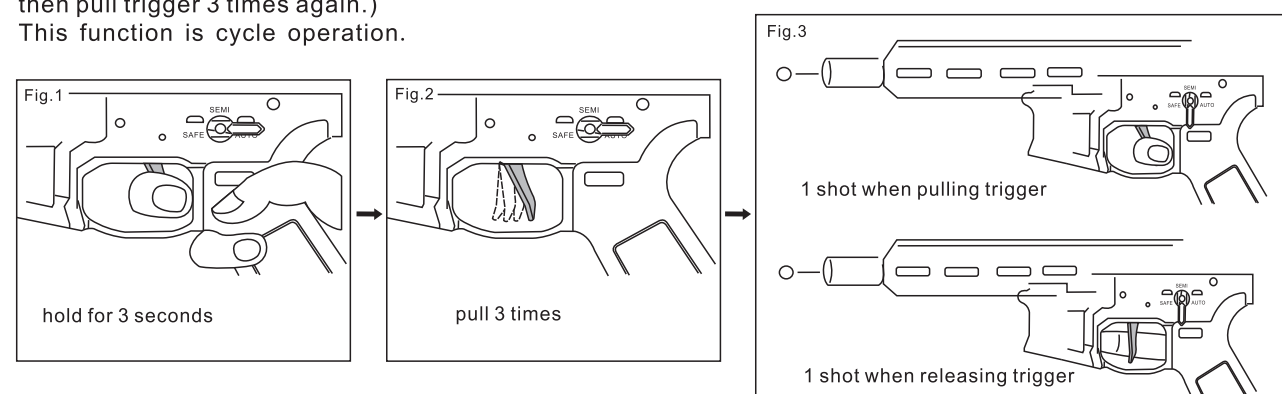
#### MODE 2: Adjusting Trigger Sensitivity (3 different sensitivities)

- ① Move the lever to the "SAFE" position, pull the trigger and hold for 3 seconds, then release after the rifle emit vibration(Fig. 1)
- ② Pull the trigger twice and the mode 2 will be activated(Fig.2)
- ③ Pull trigger once will be high sensitivity, pull twice will be middle sensitivity, pull 3 times will be standard sensitivity(Fig.3)
- ④ According to your preference to move the lever to the "SEMI" or "AUTO" position for firing(Fig.4)



#### MODE 3: 1 Shot For Each Trigger Pull & Release Mode

- ① Move the lever to the "SAFE" position, pull the trigger and hold for 3 seconds, then release after the rifle emit vibration(Fig.1)
- ② Pull the trigger 3 times then release(Fig.2)
- ③ Move the lever to the "SEMI" position, then firing 1 shot for each while pulling and releasing the trigger(Fig.3)  
 (If you want to cancel this function: move the lever to the "SAFE" position again, pull and hold the trigger 3 seconds then release, then pull trigger 3 times again.)  
 This function is cycle operation.



1. To return to the previous mode: move the lever to the "SAFE" position, pull the trigger and hold for 5 seconds, then release after the rifle emit vibration.
2. After setting specify mode, even if disconnecting the battery, the memory mode still exists.
3. Before selecting your preferred use mode, firstly move the lever to the "SAFE" position, pull the trigger and hold for 3 seconds and release, then select mode you preference for firing.

### 二, FALCON Digital Firing Control System: Protection Feature

#### 1, Motor Gearbox Protection

A, If the voltage is too high or abnormal, the power supply will be automatically cut in order to protect the motor gearbox. When this happens, the rifle will emit 2 vibrations.

#### 2, Battery Protection

**Importance:** pls use the Li-Po / Li-Ion only .

A, The FALCON circuit board is compatible with 11.1V (7.4V is minimum protection voltage) and 7.4V (5.6V is minimum protection voltage) lithium batteries. The operating voltage is between 6-14v. If the voltage is too low or too high, the power supply will be cut. The alarm will notify the user about the battery's state.

B, The low voltage protection system will notify the user with 5 vibrations indicating that the batteries voltage is too low. Please recharge the battery before using it.

C, Recommended to remove the battery when do not in use

### 三, Safety Function

The safety protection function will be activated once power off. When power on again, it can not be fired when the selection lever in the "SEMI" and "AUTO" position and only can be used when move the lever to the "SAFE" position.

### 四, Vibration Description

- 1 Vibrations: power on
- 2 Vibrations: system error; module stuck
- 3 Vibrations: voltage too high
- 5 Vibrations: low voltage

### 五. Calibration

Set the selector lever to Semi-auto before connect to the battery (to block the two lights), and hold the trigger for 3 seconds until the replica emit 3 beeps after connecting the battery, then pull the trigger for 6 times and the replica will emit 6 beeps, then hold the trigger till the replica emit 6 beeps, flip the selector lever to the Safe position, then pull the trigger until 6 beeps is heard, and the calibration is done. (Calibration is needed when the trigger mode go abnormal.)

### 六. Automatic power off function

It will automatically power off after 1 hour of inactivity, and need to re-plug the battery when you want to continue shooting.