

# ECHO1 User's Manual

Contractor Personal Weapon (C.P.W.)

Intended for  
age 18 and above






Automatic Electric Gun (AEG)  
Adjustable Hop Up  
Metal Gearbox  
Pre-upgraded internals



Always read through this manual before operation.  
[WWW.ECHO1USA.COM](http://WWW.ECHO1USA.COM)



## WARNING

 Only for 18 years of age or older	This AEG is intended for ages 18 and above.
 Injury caution	Since plastic BB bullets reach 50 to 60 meters, careless shooting may cause eye damage or other injuries.
 Careful reading of Handling cautions and Instruction manual	Always read through this HANDLING CAUTIONS AND INSTRUCTION MANUAL carefully before operation. Operate the air gun with full recognition of warnings and cautions.

**1** Outlook of the C.P.W.



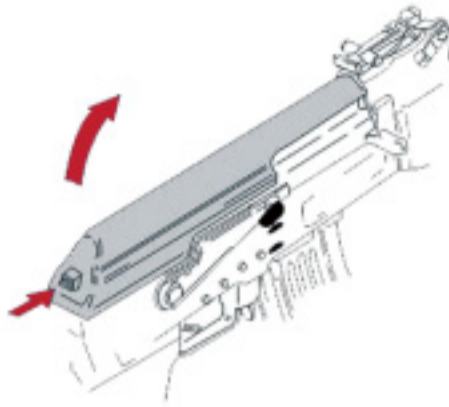
**2** Specification

**Data of Automatic Electric Gun**

Name	Contractor Personal Weapon C.P.W.
Weight	3.5 kg
Barrel Length	455 mm
Barrel Caliber	6.08 mm
Pellet Capacity	500 Rd
Pellet	6mm BB
Feet Per Second	360-375 FPS
Battery Type	8.4V Stick



- 1 Press the receiver button and lift up the receiver top

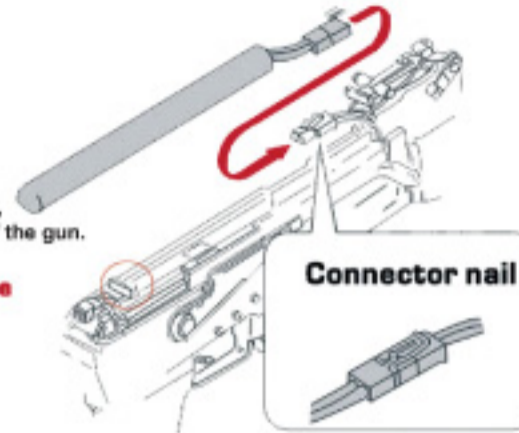


- 2 Install the battery on the space provided. Gently push the wires into the area under the rear sight. The back of the battery will rest against the highlighted wall.

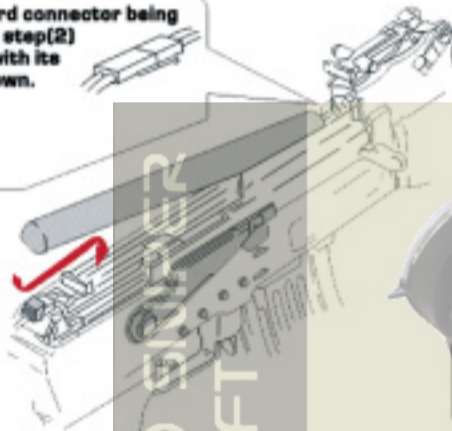
**Battery Sectional View**

Make sure the battery is as shown, with the wire facing the left side of the gun.

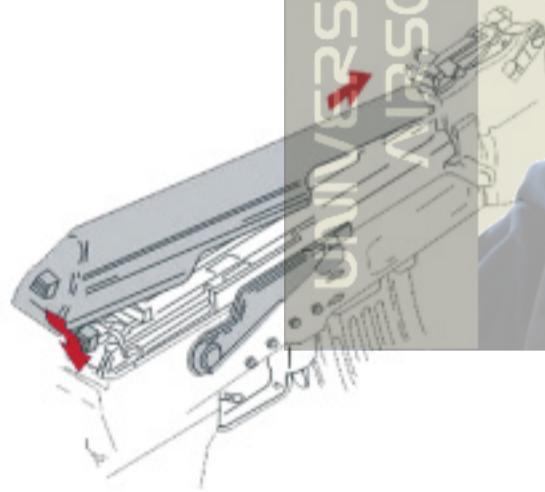
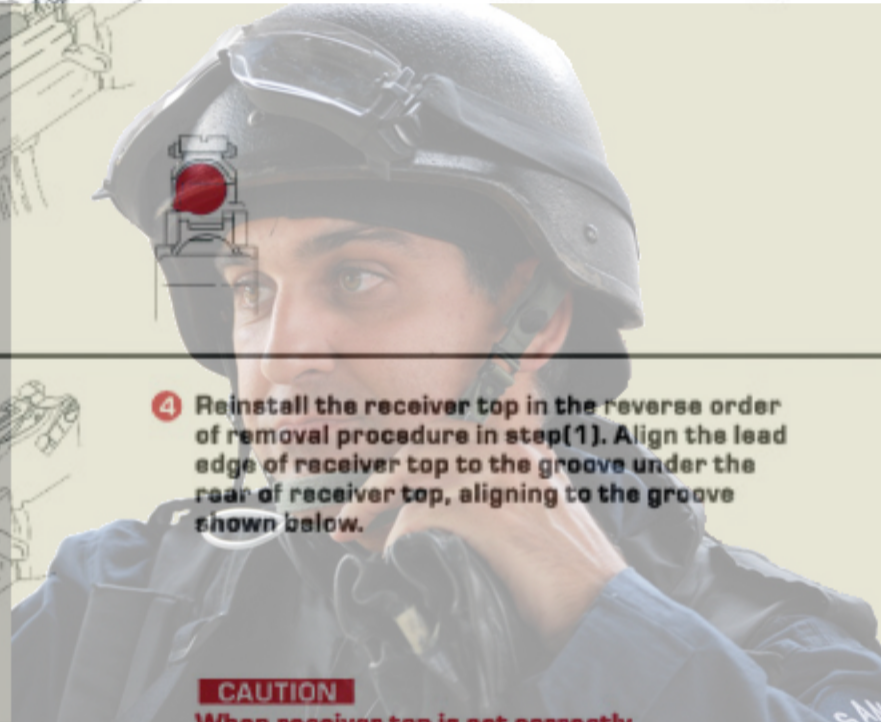
The protrusion must be on the left side.



- Press the cord connector being connected in step(2) to the rear, with its nail facing down.



- 3 Store the battery in the receiver as shown. (Set the battery so that it does not protrude.)

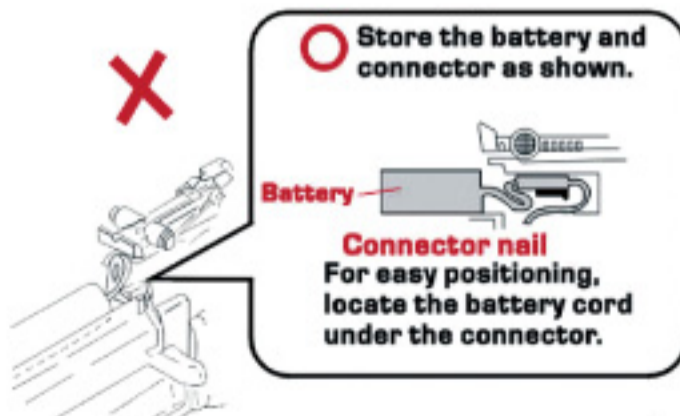


- 4 Reinstall the receiver top in the reverse order of removal procedure in step(1). Align the lead edge of receiver top to the groove under the rear of receiver top, aligning to the groove shown below.

**CAUTION**

When receiver top is set correctly, the catch button ejects out.

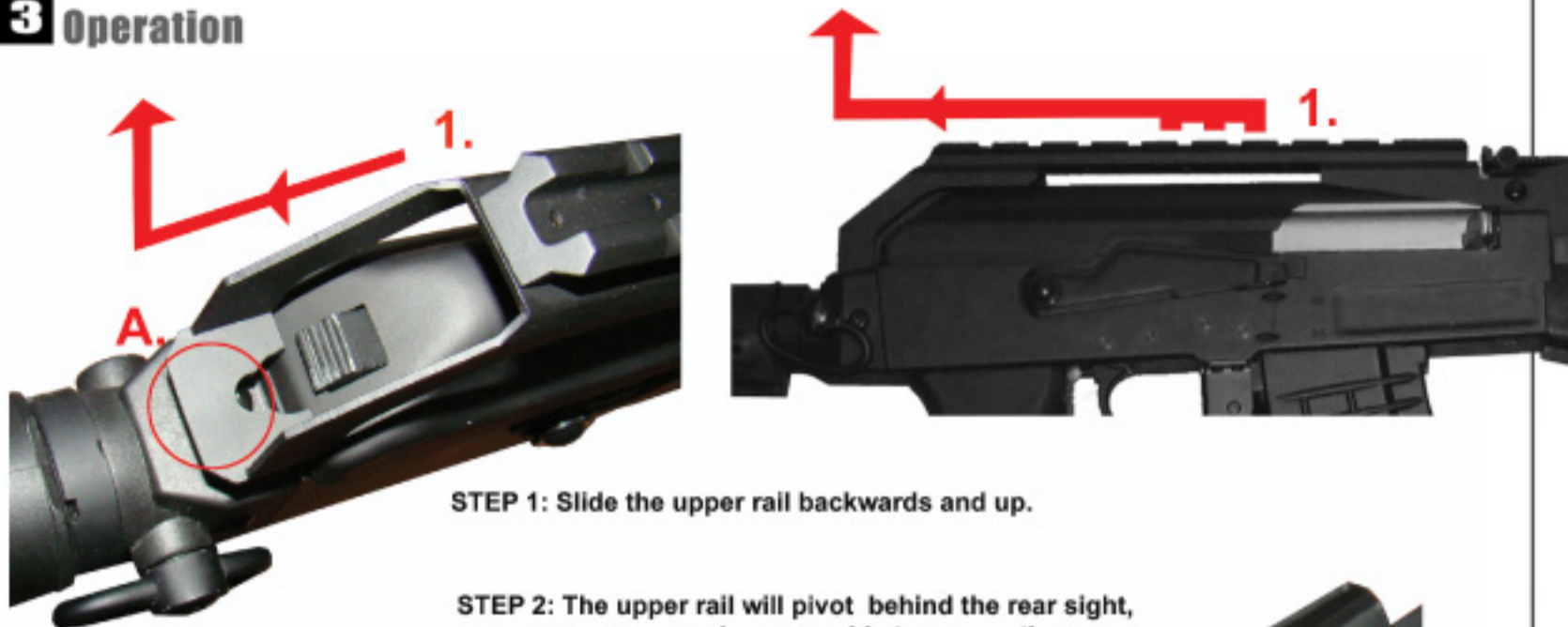
**CAUTION** If the cord protrudes, the receiver gunbody cover be closed.



**CAUTION**

Pay attention so that the cord does not protrude out of the receiver. Forcing in the receiver top may damage the cord and, if the cord is protruding, the receiver top cannot be closed.

**3** Operation



STEP 1: Slide the upper rail backwards and up.

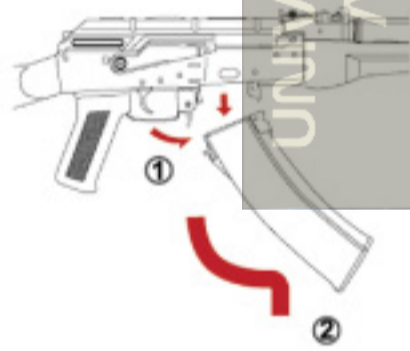
STEP 2: The upper rail will pivot behind the rear sight, once opened you are able to access the dust cover and install the stick battery.

- A. Make sure the locking peg is secure before use.
- B. Do not remove the pivot blot
- C. For easy operation make sure the screws are secure but not loose.

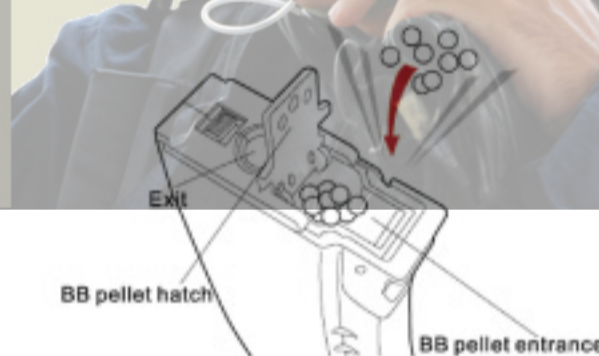


**2** Magazine Attachment / Detachment Procedure

**CAUTION** There are BB pellets remain in the magazine hip and chamber. Please pay attention as BB pellets can't be discharged.



1 Press the magazine release lever to remove the magazine.



2 Open the top hatch and insert BB pellets. About 500 pellets may be loaded. (Avoid forcing BB pellets into the magazine.)



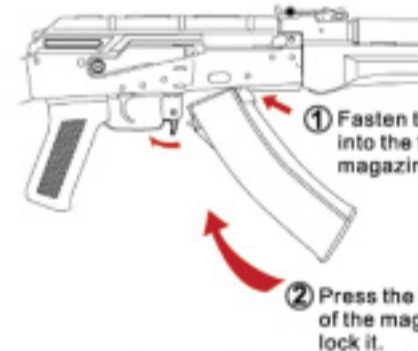
3 Close the hatch.



4 Hold the BB pellets entrance facing up and turn the gear at the bottom all the way until the click-click sounds change. (If only a small number of BB pellets are inserted, the gear merely makes blank turning.)



5 Check the BB pellets are lifted up to the exit, and then connect the magazine to the gun.



1 Fasten the magazine into the front of the magazine well.

2 Press the bottom of the magazine to lock it.

6 Always set the magazine upward. Align the groove shown by an arrow and press the rear of the magazine.

3 How to use the Selector Lever



1 Safety Lock



2 Full Auto

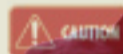


3 Semi Auto

4 Hop up system adjustment



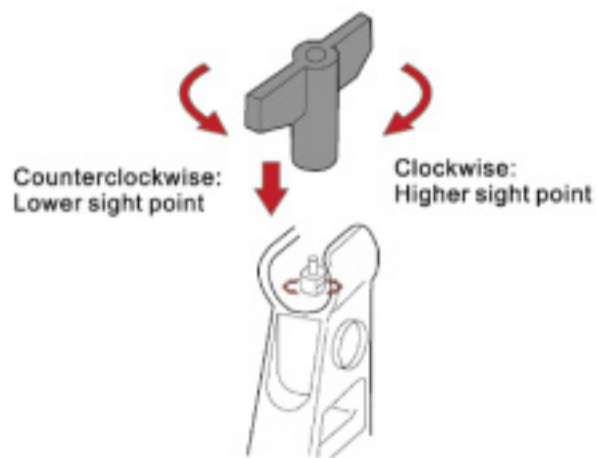
The hop up lever can be adjusted, pull it gradually towards the hop



If you add too much hop you can cause damage, stop adjusting when BB's curve upwards

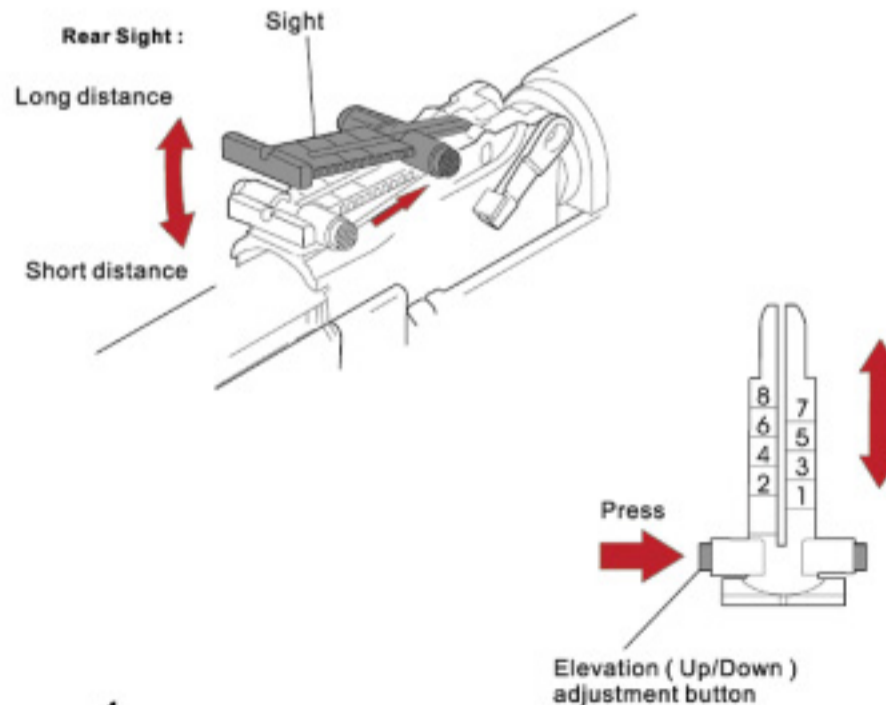
5 Sight adjustment

Front Sight :

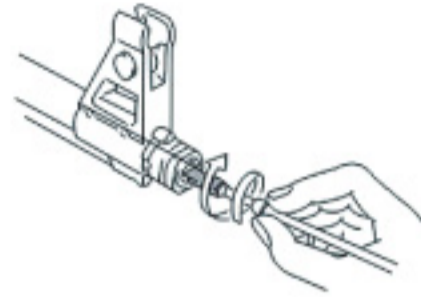
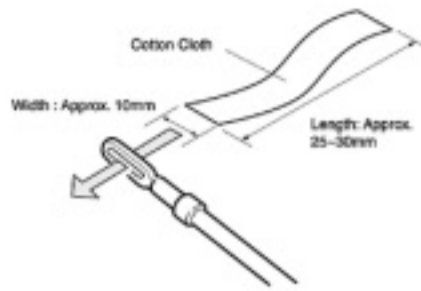


Insert the front sight adjustment tool in the front sight and turn it for adjustment.

Rear Sight :



⑥ How to use a cleaning rod



Cut a cotton cloth to the size as shown above and insert one end into the hole in the rod. (Adjust the length of cloth for smooth entry into the barrel.)

Hold the tip of the rod and insert it with turning motion.

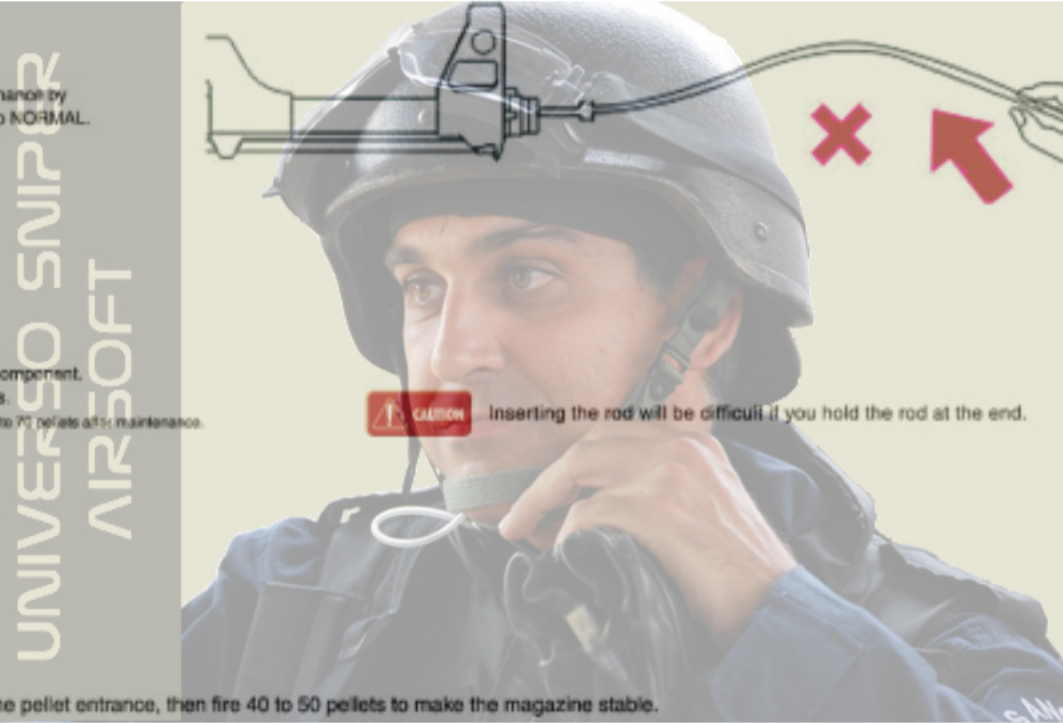


CAUTION: Always begin the maintenance by returning the hop up adjustment lever to NORMAL.



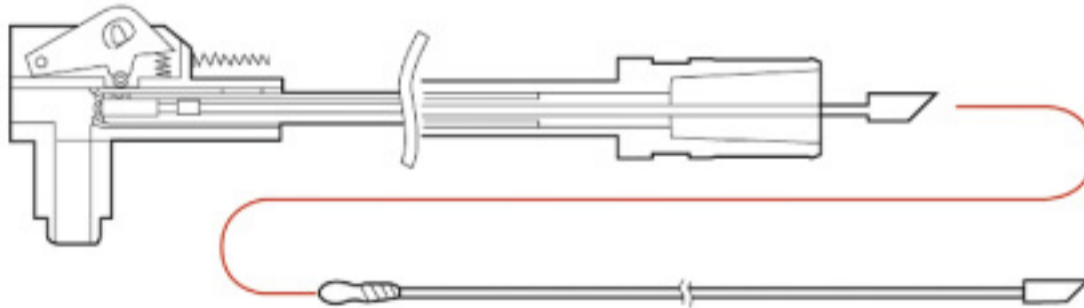
CAUTION: The chamber is a precision component. Never use any used BB pellets.

\*The hop-up performance may become unstable for 60 to 77 pellets after maintenance.



Inserting the rod will be difficult if you hold the rod at the end.

- Spray silicone oil for 0.5 to 1 sec in the pellet entrance, then fire 40 to 50 pellets to make the magazine stable.
- Clean the oil from the chamber using the cleaning rod (with cotton) to complete the maintenance.



CAUTION: Always begin the maintenance by returning the hop up adjustment lever to Normal.



UNIVERSO SNIPER  
AIRSOFT

Please visit us at:  
[ECHO1USA.COM](http://ECHO1USA.COM)