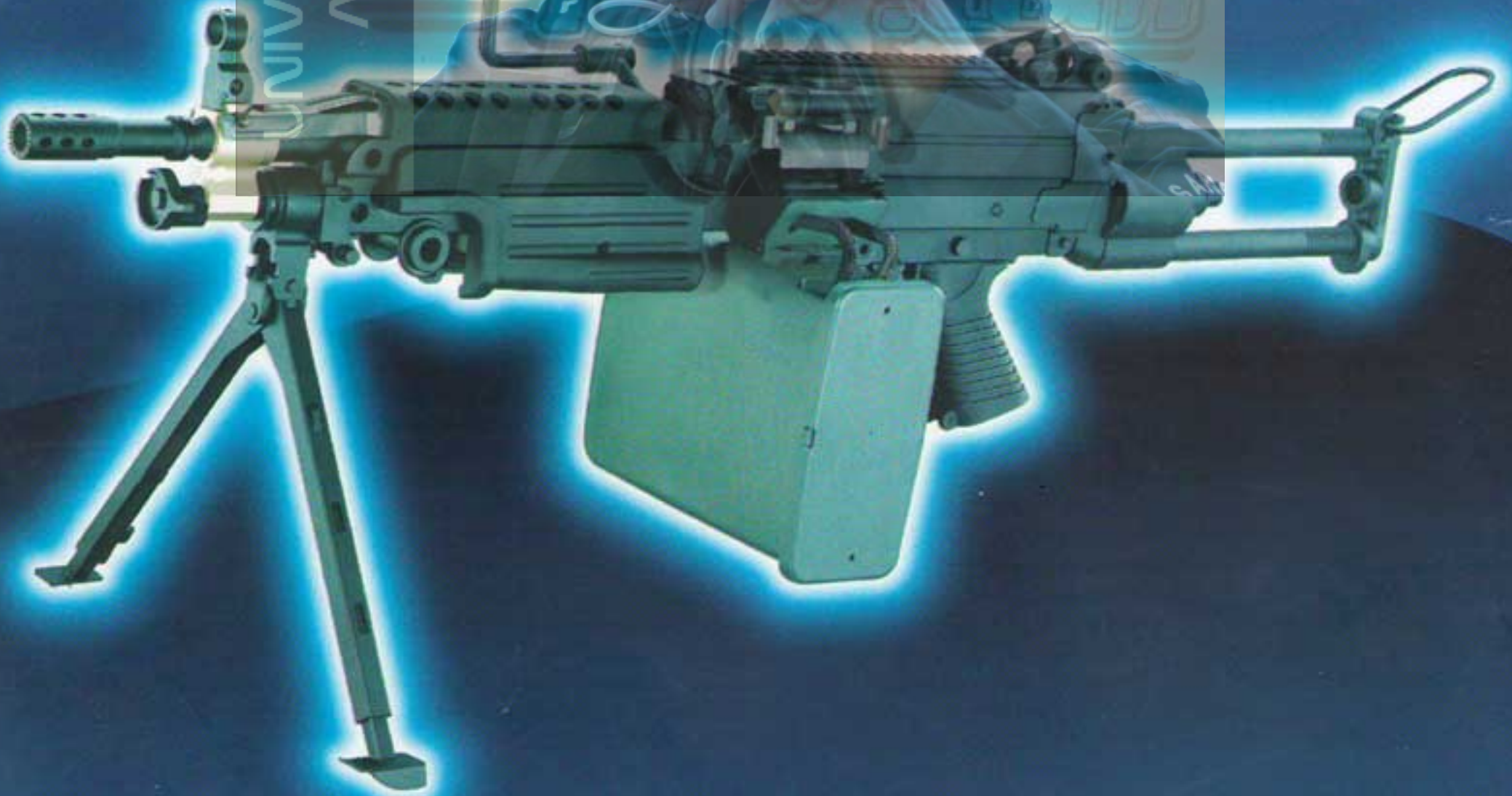


249 PARA

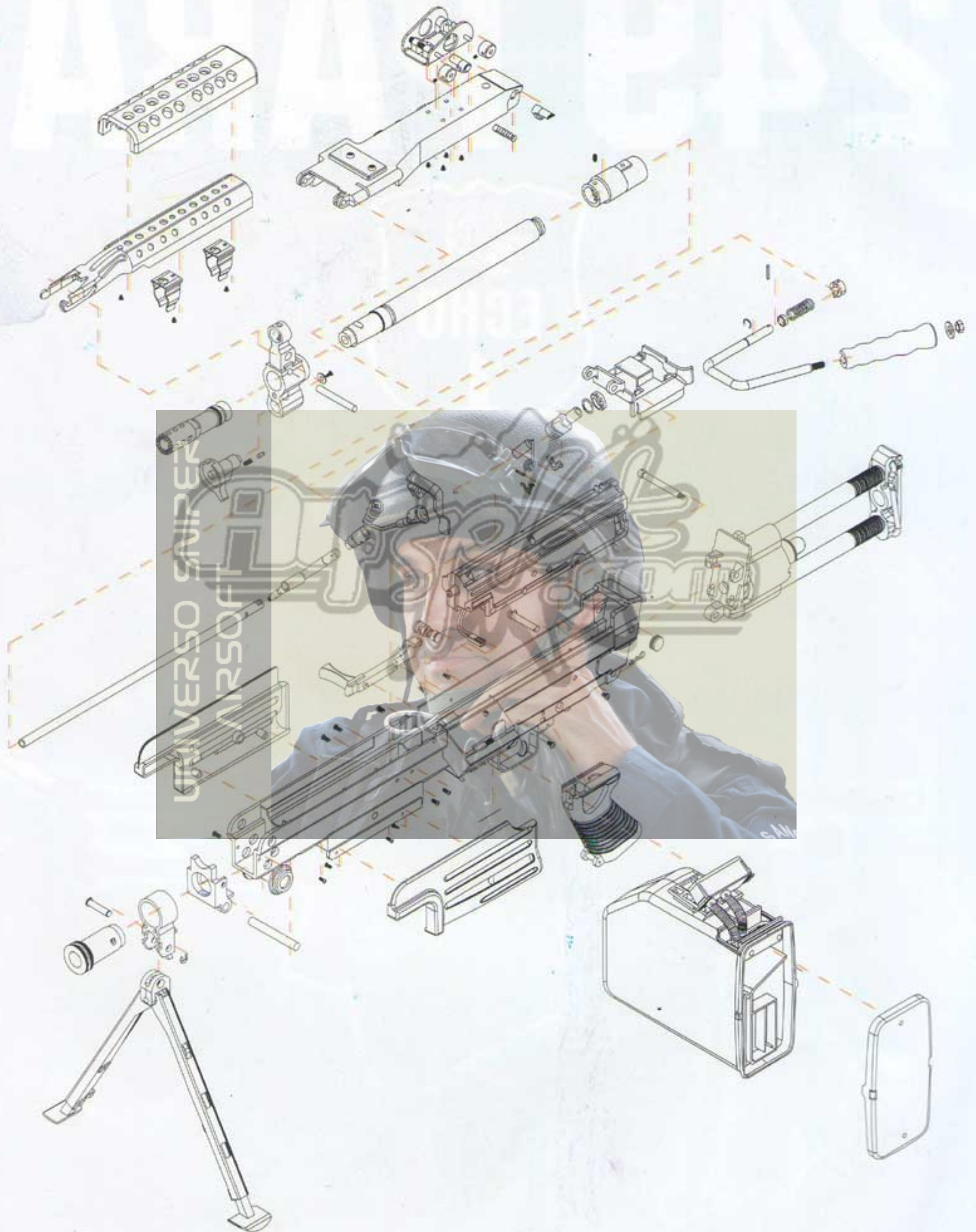


ECHO1USA.COM

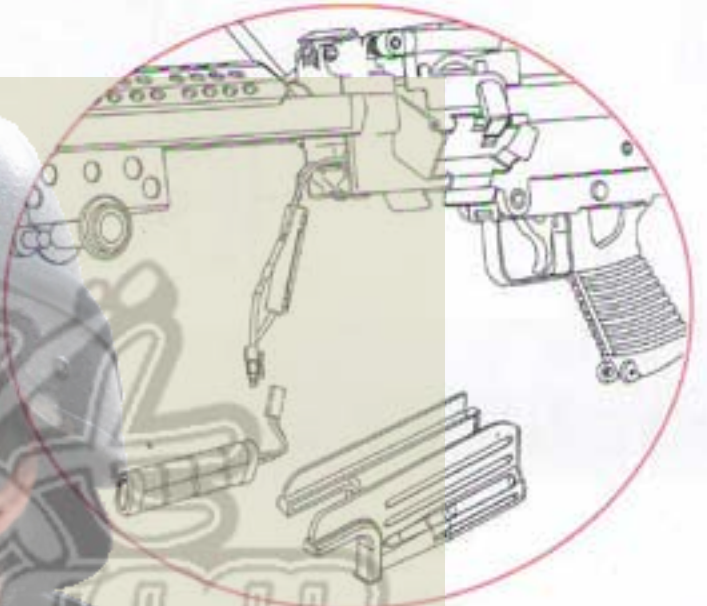
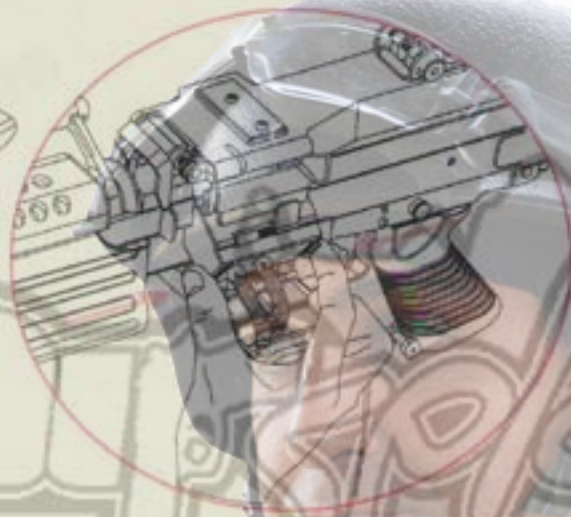
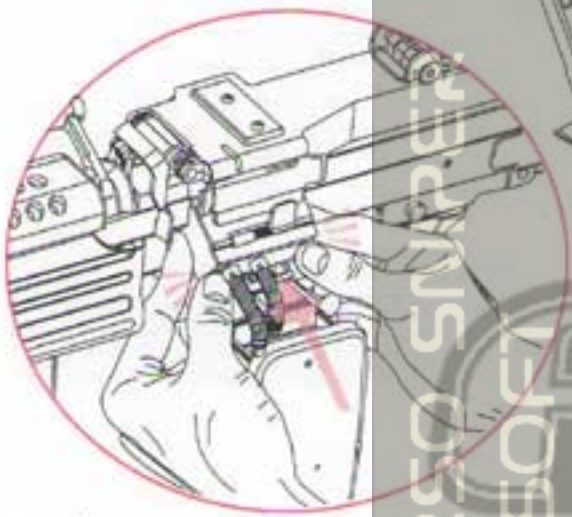
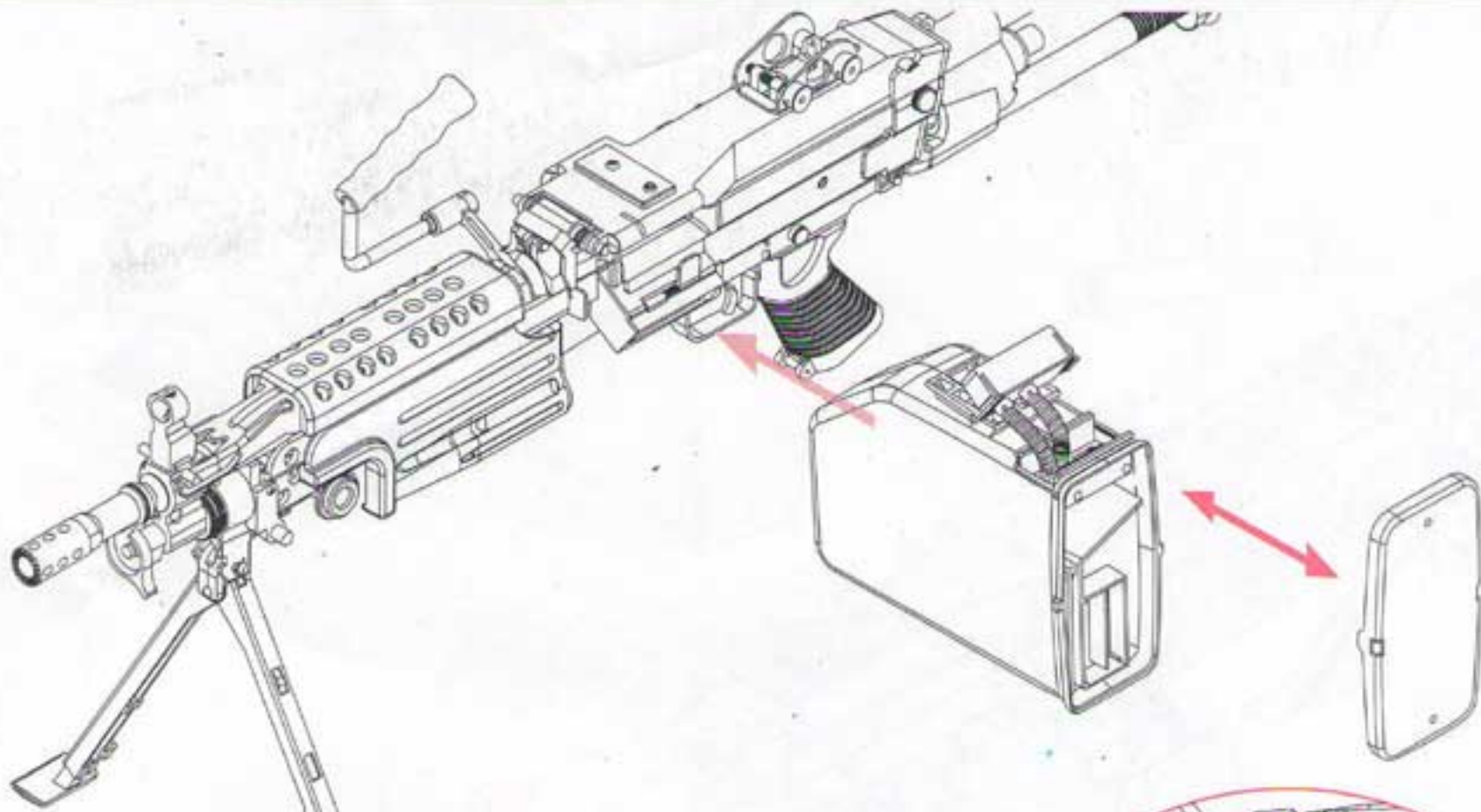
UNIVERSO SNIPER
AIRSOFT



A&K249 PARA EXPOSE PLAN

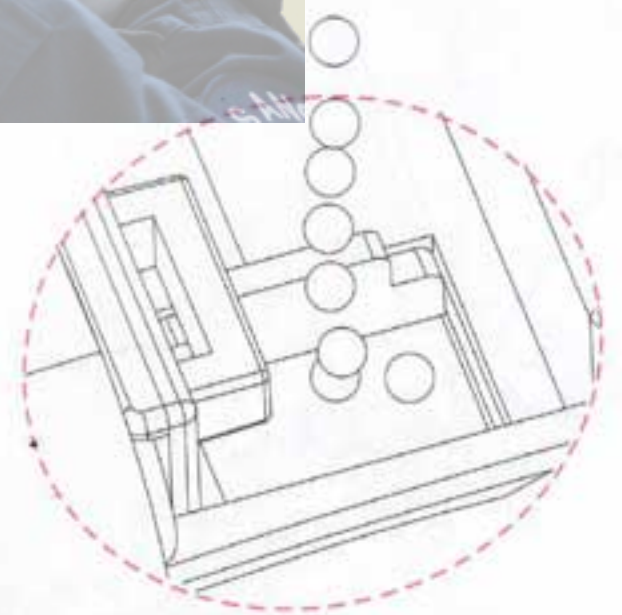
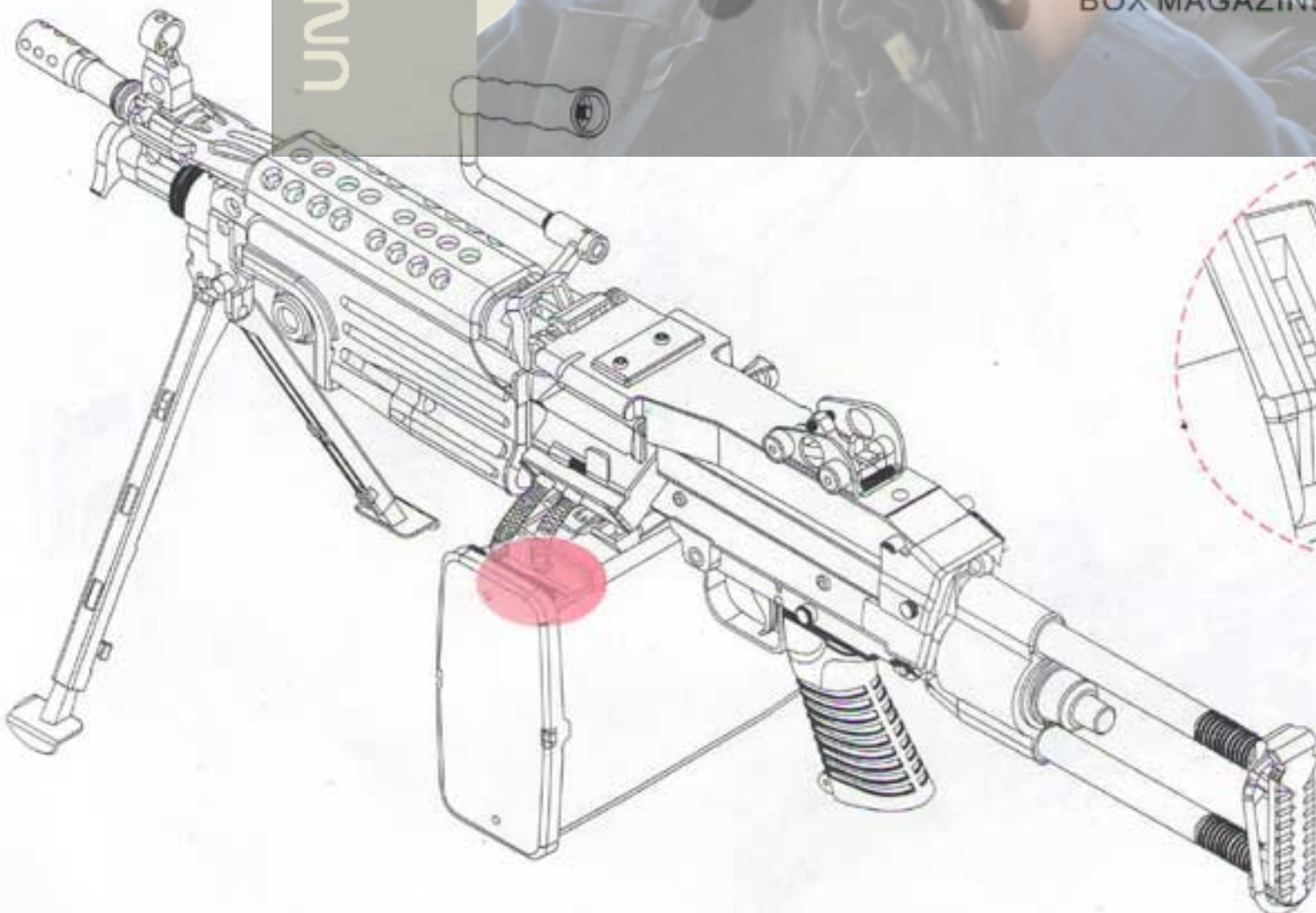


BATTERY INSTALLATION

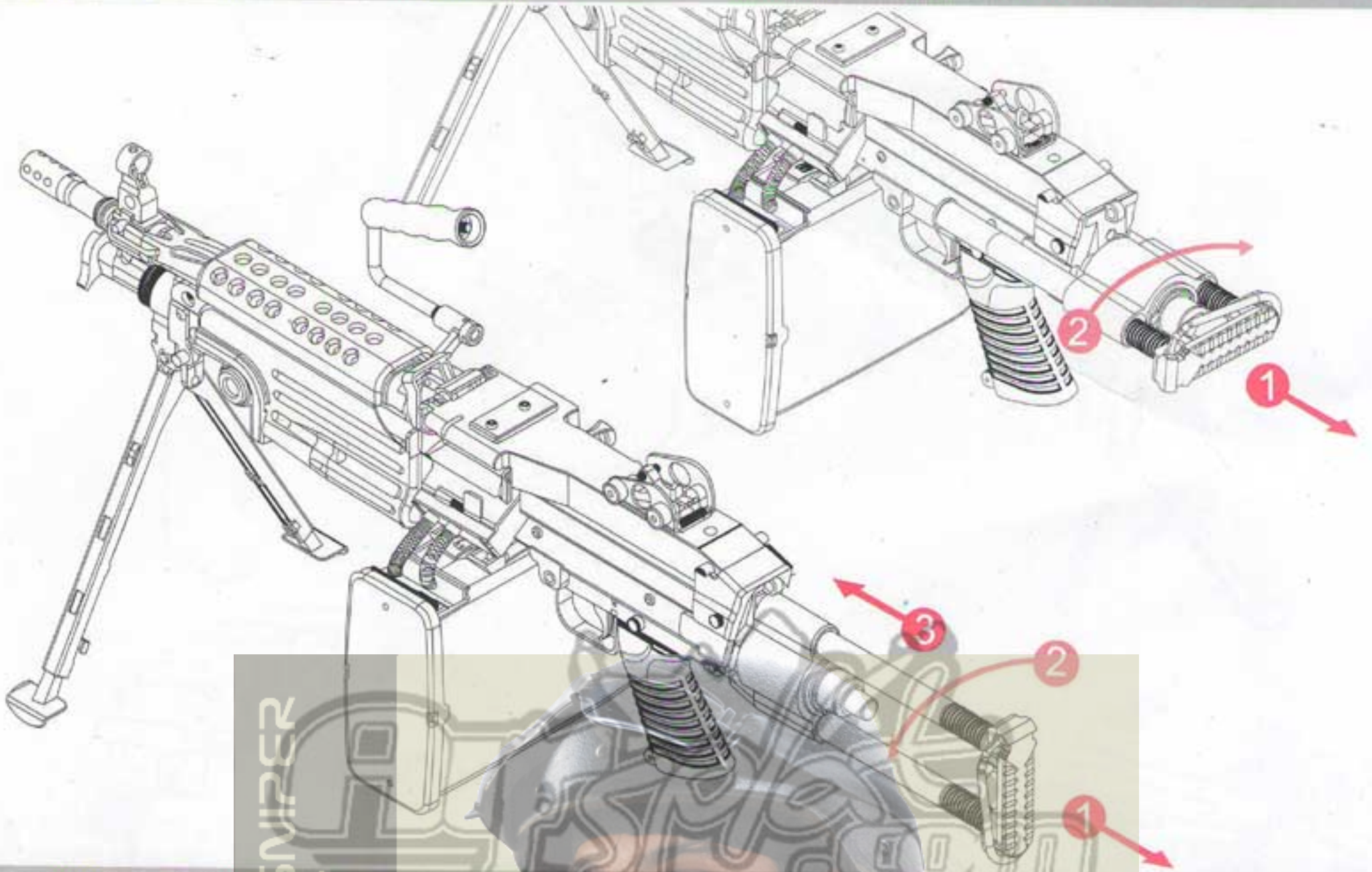


BOX MAGAZINE LOADING

BOX MAGAZINE CAPACITY: 2500 RDS



BUD STOCK ADJUSTMENT

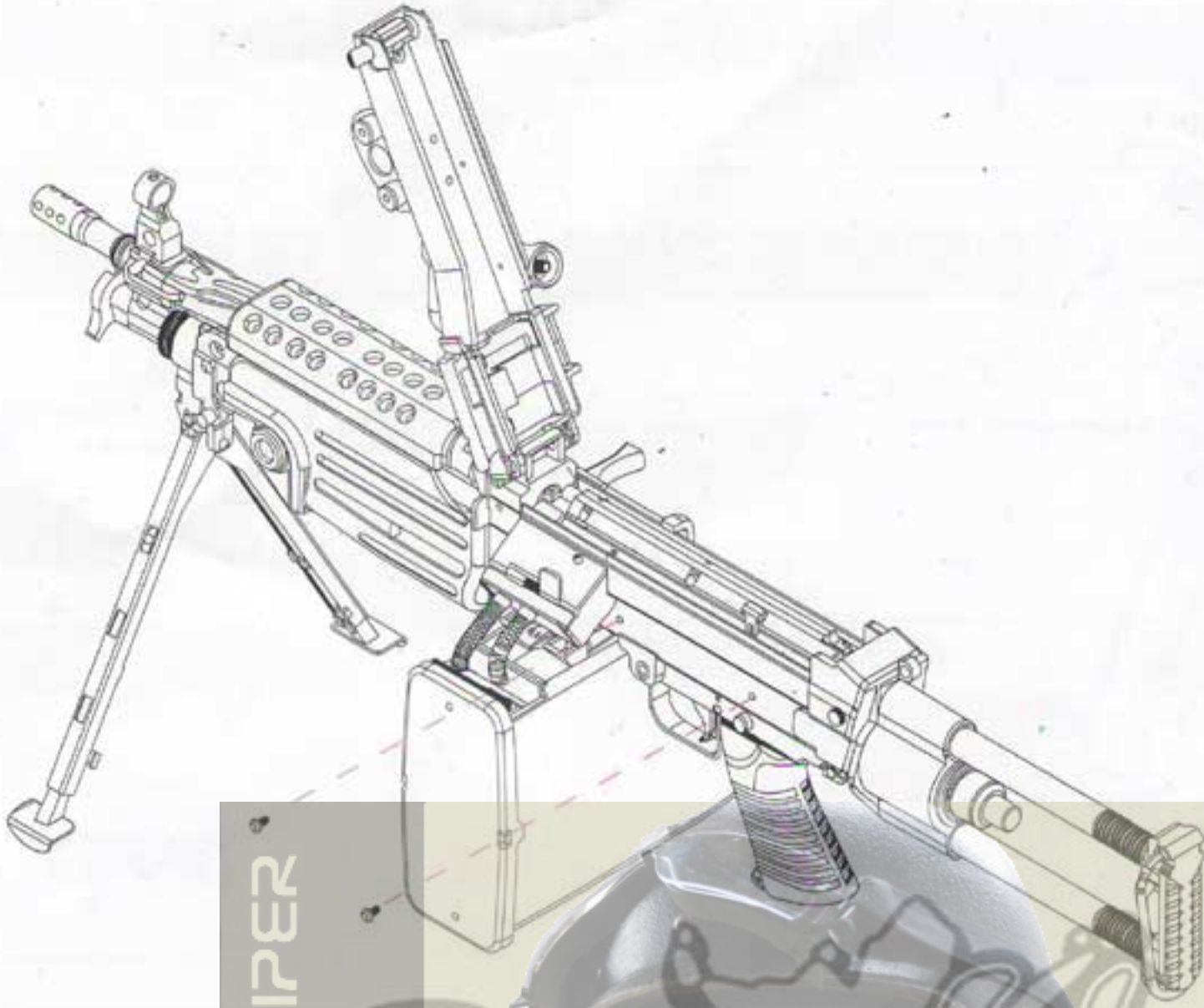


UNDERPROP ADJUSTMENT



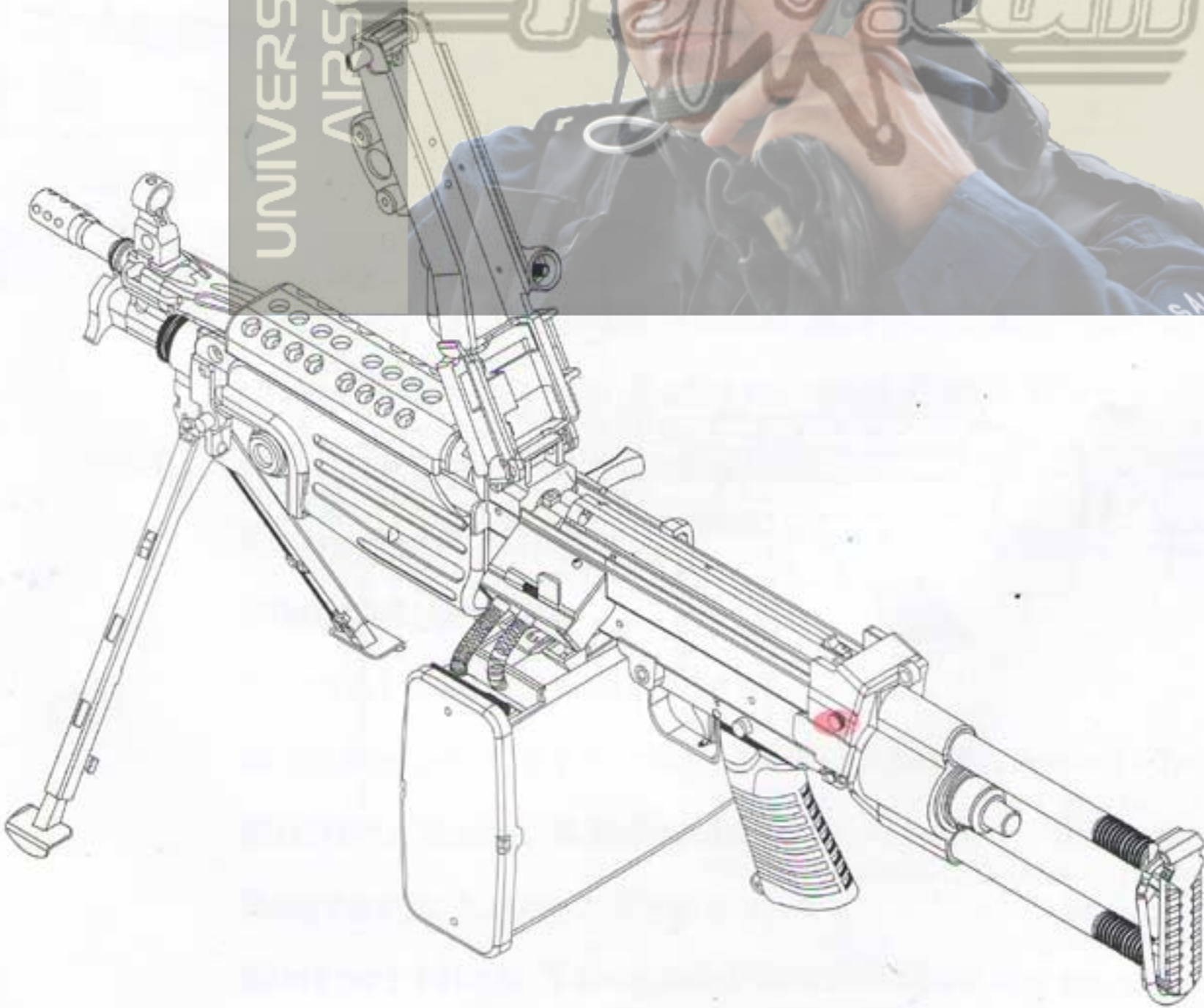
UNIVERSO
AIRSOFT

GEAR BOX INSTALLATION

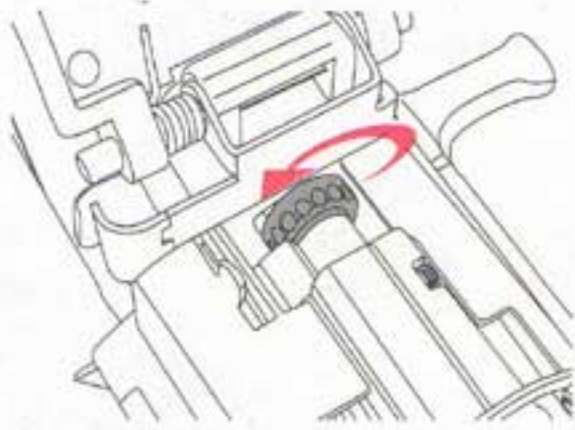


SPRING RELEASE

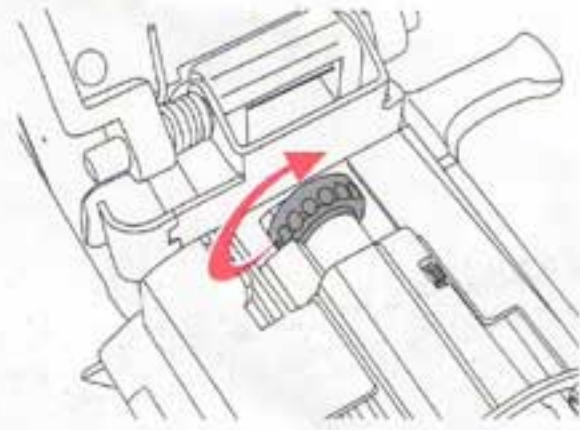
UNIVERSO VIPER
AIRSOFT



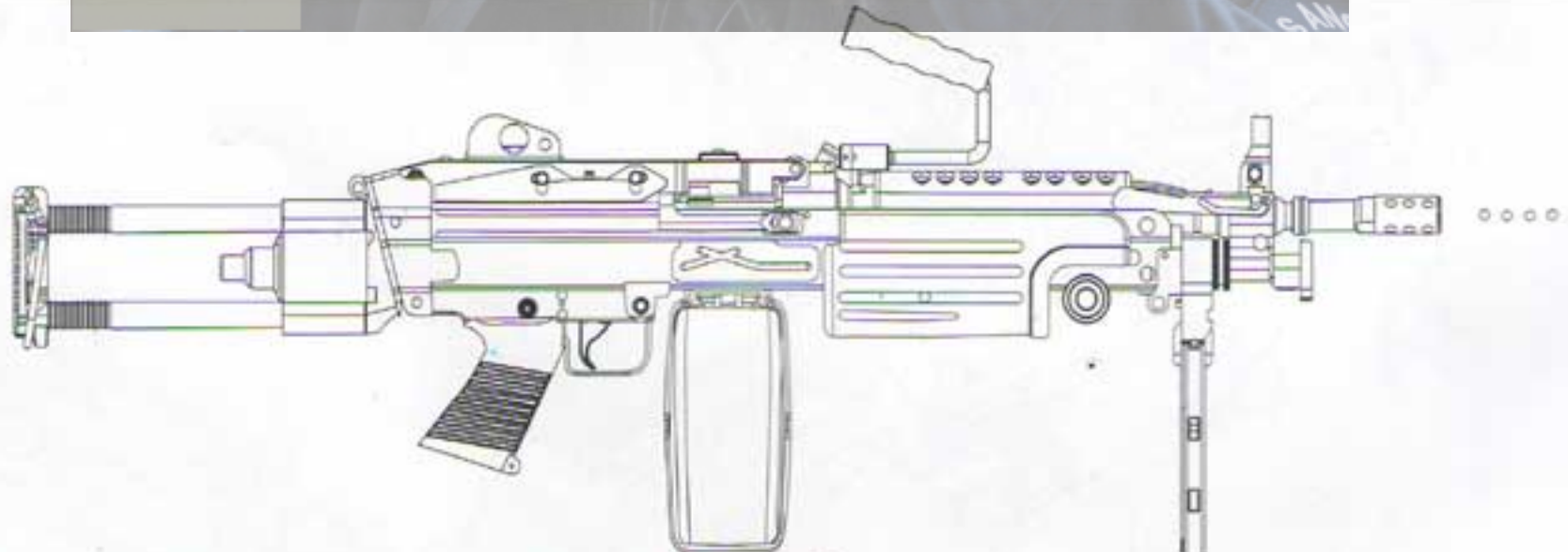
HOP-UP ADJUSTMENT



With hop up, BB pellets are able to extend its trajectory with revolution.
Adjust with 2mm wrench.



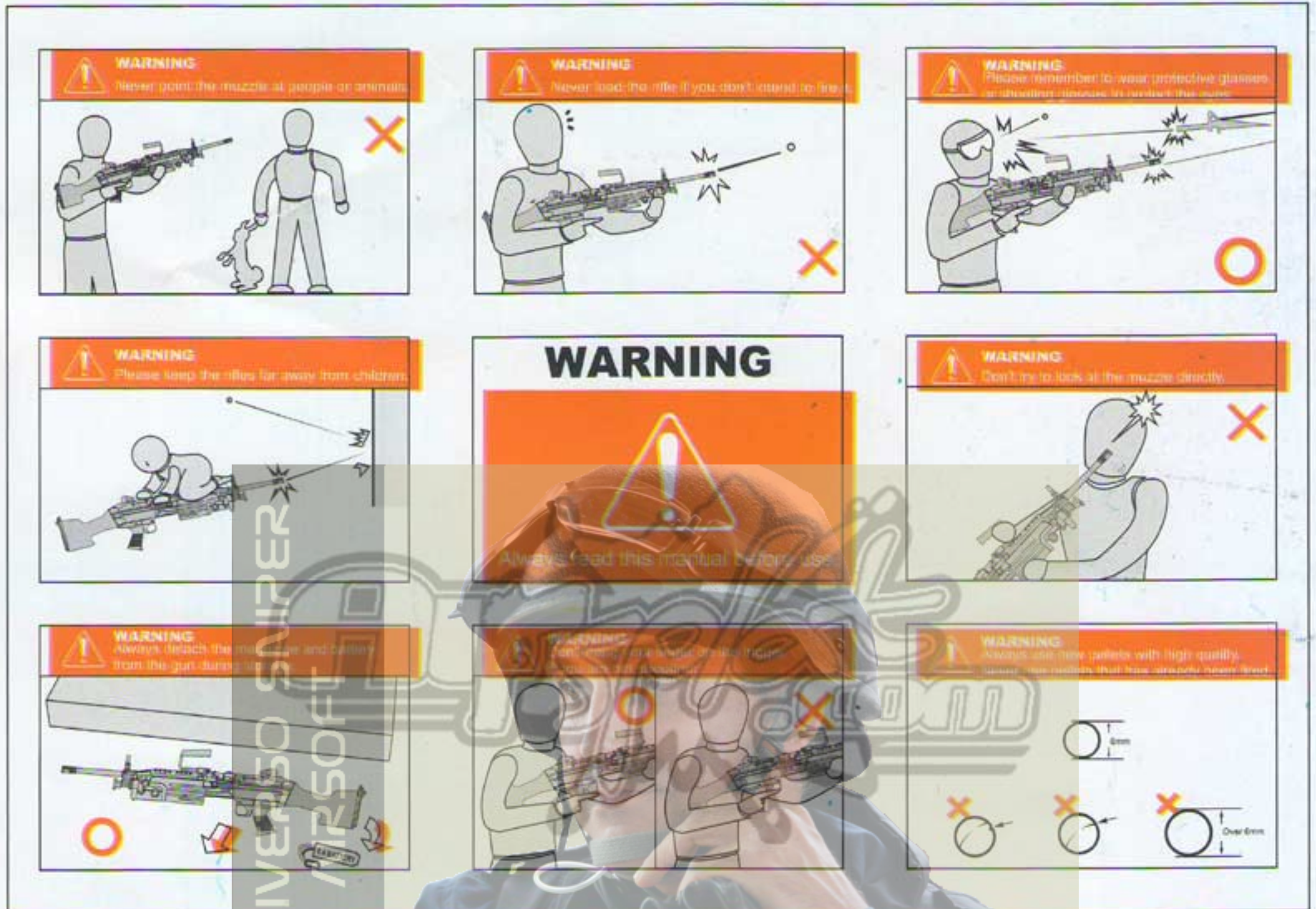
When turning to the right, hop up becomes easy.
When turning too much, BB pellets can't shoot out and problem occurs.



- .Do not aim or shoot a person or animal as the target.
- .Avoid pulling the trigger carelessly.
- .Always put the gun in a case or bag when you carrying it.
- .Always set the switch lever to the safety position.
- .Do not look into the gun muzzle.
- .Always wear eye protective gear.
- .Store the airsoft gun at the places out of reach by children.
- .Do not disassemble or modify the airsoft gun.



WARNING



Data of A&K249 PARA Airsoft Electric Gun

Material: Nylon Fabric and Zinc Alloy

Hop System: Adjustable

Length: 920mm

Weight: 6450g

Barrel Length: 400mm

Magazine Capacity: 2500 rounds

Bullet: 6mm BB bullets

Battery: Large Type 8.4V

Motor: High Torque Flat Motor