

Echo 1 TFB Electric Gun Owner's Manual

Cortesía de Universo Sniper Airsoft, www.universosniperairsoft.com

Echo 1 TFB Automatic Electric Gun (task force black)
Adjustable hop up, metal gearbox, pre-upgraded internals

T.F.B. SD6



T.F.B. A5



Name of gun

Weight	7lb	5.5lb
Barrel Length	229mm	229mm
Overall Length	640mm	550mm
Barrel Caliber	6.08mm	6.08mm
BB Capacity	200BB	200BB
BB Size	6mm	6mm
Feet Per Second	370 FPS	370 FPS
Battery Type	8.4v Mini	8.4v Mini

[TFB Parts of the Gun](#)

[TFB Selector Modes](#)

[TFB Sd 6 Battery Installation](#)

[TFB A5 Battery Installation](#)

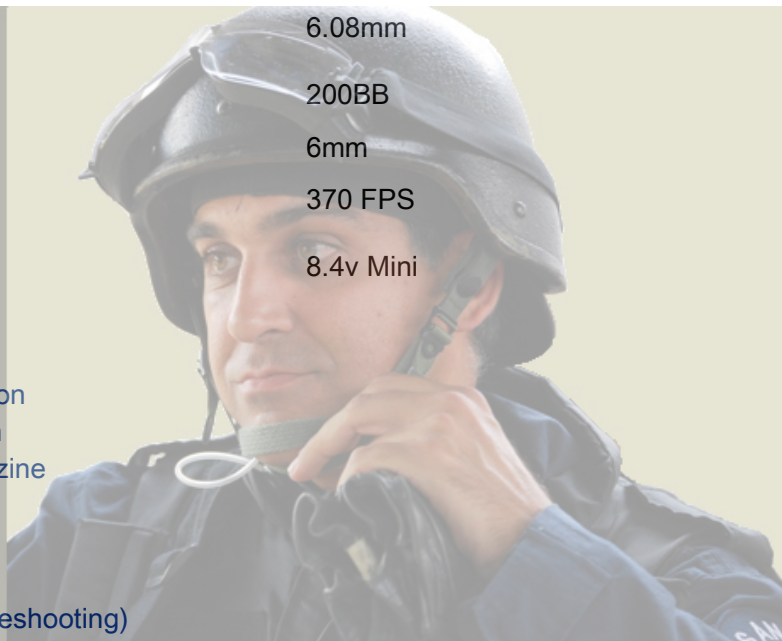
[TFB How to use the Magazine](#)

[TFB Adjusting the Hop Up](#)

[Maintenance](#)

[TFB Warning](#)

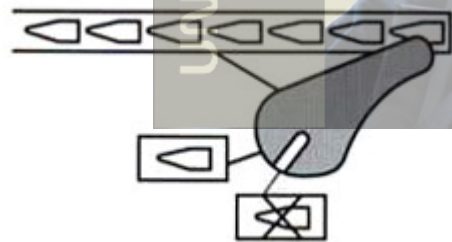
[TROUBLE CLINIC \(Troubleshooting\)](#)



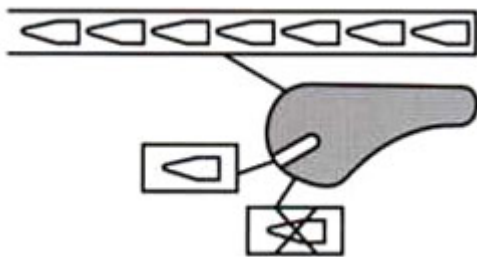
TFB Parts of the Gun



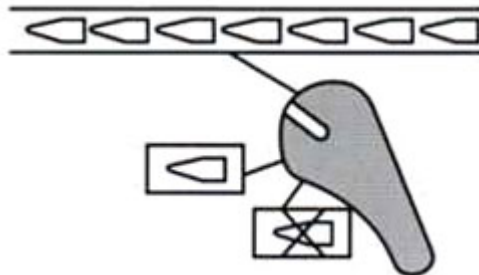
[back to top](#)
TFB Selector Modes



SAFE: Trigger is secure and should not fire.



SEMI: One BB will fire with each trigger pull.



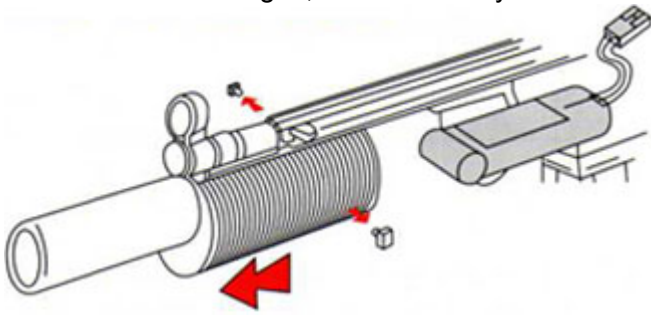
AUTO: Gun will fire continuously while trigger is pulled.

[back to top](#)

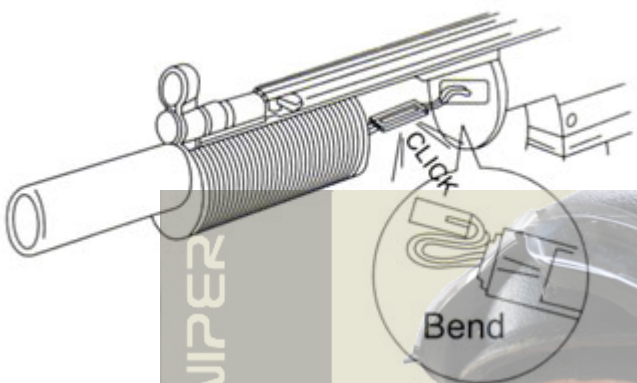
TFB SD6 Battery Installation

Charge the battery for 3 hours for the first time. When charging have the battery away from **ALL**

COMBUSTIBLE MATERIALS and on cool hard surface. If battery becomes **HOT** remove from charger and let it **COOL** before use. When cycle rate becomes slow, **STOP** shooting and remove magazine. Shoot 2 times in **SEMI** to clear the gun, remove battery and recharge.



1. Remove foregrip pins and slide foregrip forward.

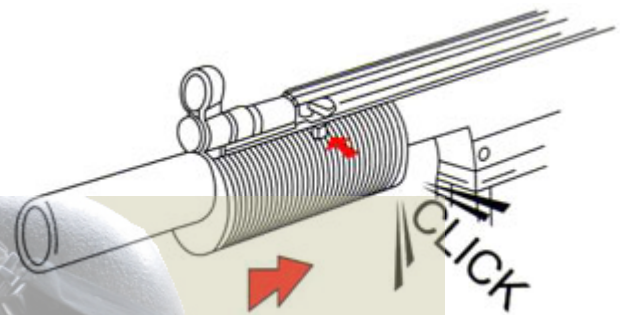


2. Click the battery plugs together.

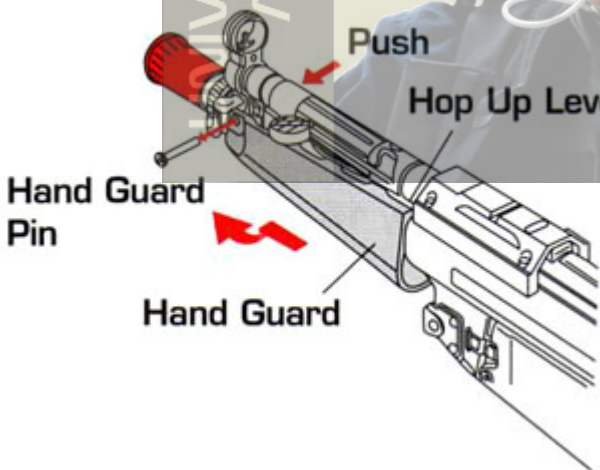
[back to top](#)

TFB A5 Battery Installation

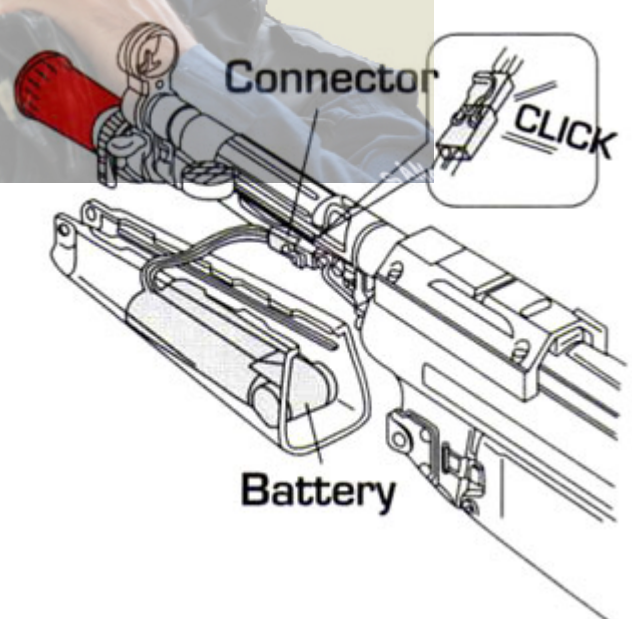
Charge the battery for 3 hours for the first time. When charging have the battery away from **ALL COMBUSTIBLE MATERIALS** and on cool hard surface. If battery becomes **HOT** remove from charger and let it **COOL** before use. When cycle rate becomes slow, **STOP** shooting and remove magazine. Shoot 2 times in **SEMI** to clear the gun, remove battery and recharge.



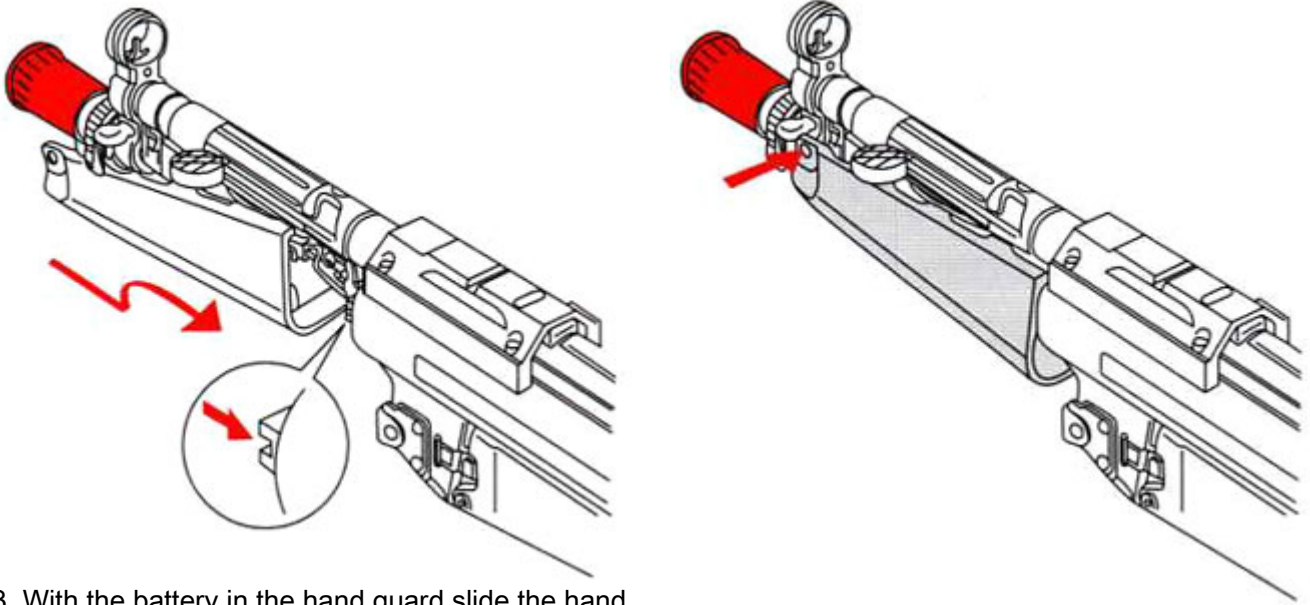
3. Gently slide the foregrip back, install the pins.



1. Remove the hand guard pin, slide the hand guard forward then down.



2. Place the battery as shown. Make sure the connector clicks and moved to the side of barrel.



3. With the battery in the hand guard slide the hand guard back and up. Have the tab slide into the groove. When the battery and cords are set in positions, reinstall the butt plate as shown.

[back to top](#)

TFB How to use the Magazine



1. Press the magazine release to remove the magazine.

Operational Tips:

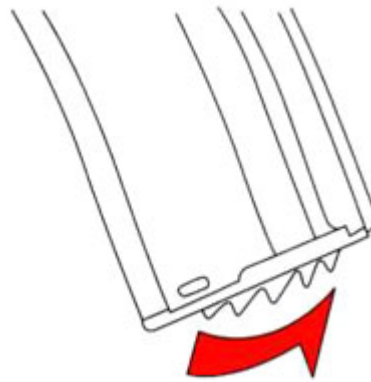
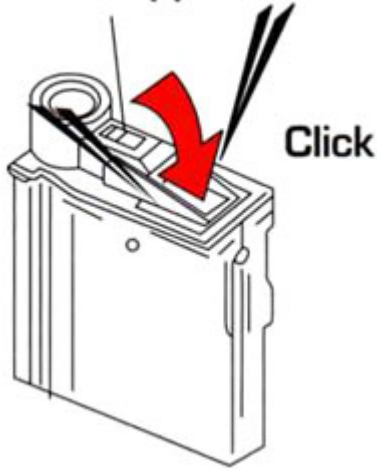
Use caution when mags seems empty. Avoid getting dirt and debris into the magazine.

Wind/Turn the gear about 7-10 times, every 20-30 BB's fired.

2. Open the top hatch and pour BB's.

About 200 BB's can be loaded, do not force BB's.

BB stopper lever



3. Close the hatch.

For storage release the remaining BB's to ensure correct operation next time, by pulling gently back on the BB stopper lever.

4. Hold the mag with the BB top hatch facing up and turn the gear. You will see BB move to the stopper lever. Once BB's have reached the stopper lever continue to wind the magazine for approximately 15 more turns.

[back to top](#)

TFB Adjusting the Hop Up

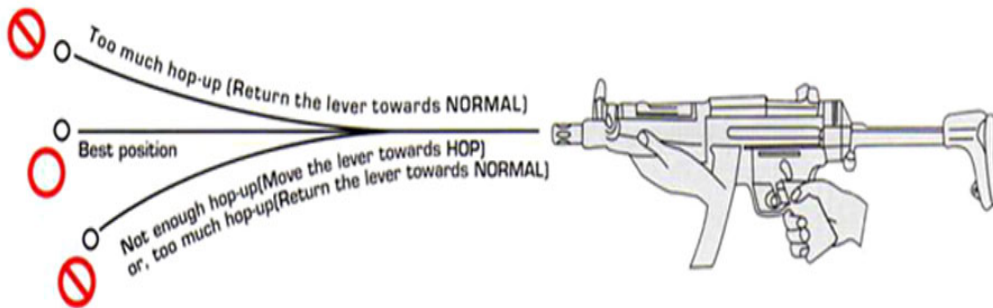


Step 1: Pull back the charging handle to expose the HOP UP unit.

Step 2: Slide the HOP UP bar either forward or backward until the BB flies straight.

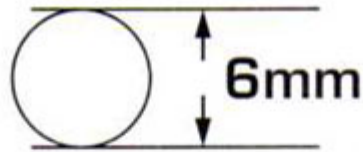
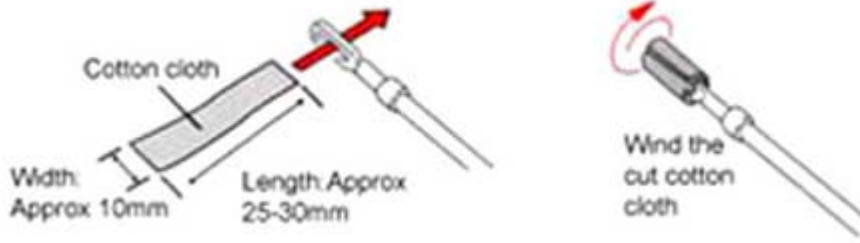
When adjusting the hop up make sure your shooting area is clear and safe to shoot. If the hop up is too high it may jam and damage the gun.

The hop up setting will react differently with .20g, .25g and above BB's. You will need to make minor adjustments depending on the weight of the BB you choose to shoot. See the illustration.



[back to top](#)

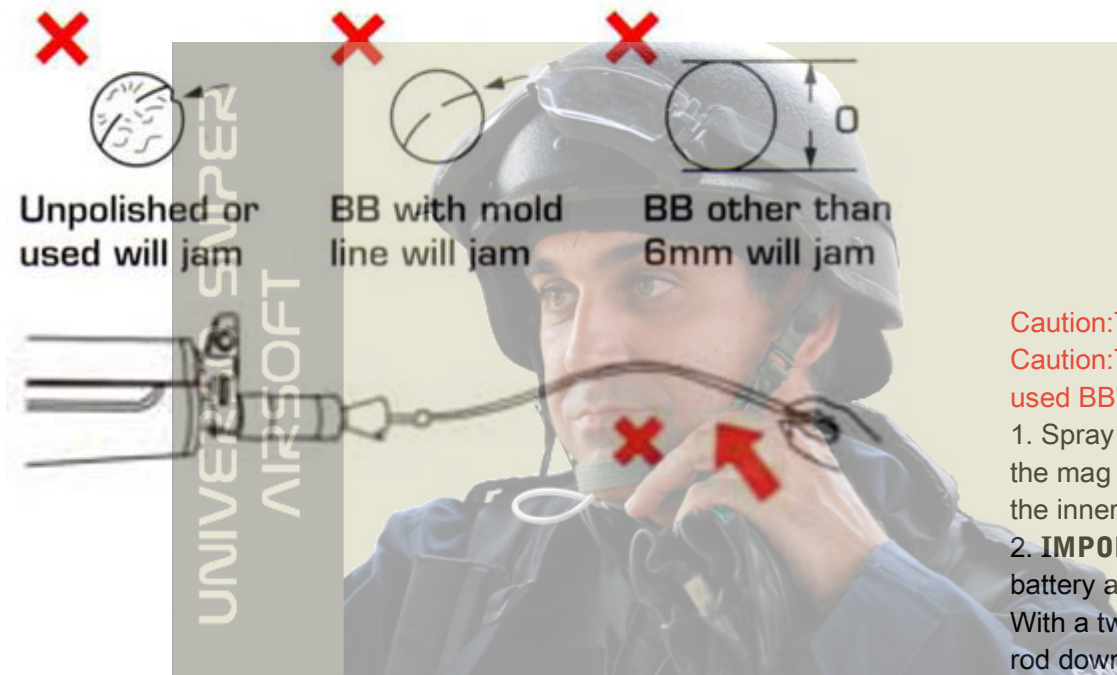
Maintenance



ECHO 16mm BB

How to clean the barrel;
Cut the cloth in the size as shown and insert one end into the hold into the barrel the length of the cloth to smoothly clean the barrel.

IMPORTANT: Use only **ECHO 1** BB. If you use equal quality consult your authorized **ECHO 1** dealer for recommendations.



Caution: Turn the hop up wheel to normal.
Caution: The barrel is a precision part. Using used BB's will cause damage.

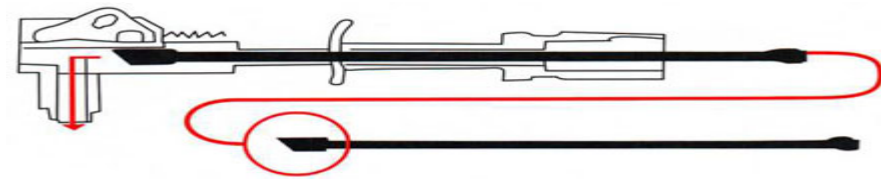
1. Spray silicon oil into the hop up chamber and the mag well for 1 sec and fire 20-30 rounds to clean the inner barrel and hop up parts.
2. **IMPORTANT:** Make sure the magazine and battery are removed from the gun before cleaning. With a twisting motion gently push the cleaning rod down the barrel. May need to use multiple strips.

NOTE: If oil is still in the barrel the gun will be unstable for 20-30 rounds.

Jammed BB

If gun is jammed with a BB follow the steps below:

1. Switch the gun to **SAFE**, remove the **MAGAZINE** and **BATTERY**. Turn hop up to **NORMAL/OFF**.
3. Use the angled end of the cleaning rod to push the BB backwards and out through the loading chamber.
4. Make sure to have the angled end of the cleaning rod as shown in figure, silicon oil will help loosen the BB.
5. Continuing firing with BB jammed can cause severe damage to your AEG.



TFB Warning

It is your RESPONSIBILITY to know your local and state laws regarding the OWNERSHIP, USE and TRANSPORT of your airsoft gun. If you are unsure of the laws, contact your local enforcement agency or state government.

- Wear full eye and face protection at all times when handling or using an airsoft gun.
- Always keep your airsoft gun pointed in a safe direction.
- Always keep your airsoft gun unloaded until ready to use.
- Always keep your finger off the trigger until you are ready to shoot.
- Know your target and what is beyond it.
- Know how to operate your airsoft gun. (Refer to your owners manual)
- Use only the recommended BB's in your airsoft gun.
- Never use alcohol or over the counter, prescription or other drugs before or while shooting your airsoft gun.
- Store airsoft guns so they are not accessible to unauthorized persons.
- Make sure your airsoft gun is unloaded and the battery has been removed prior to cleaning and storage.

[back to top](#)

TROUBLE CLINIC (Troubleshooting)

What is the gun doing?

Gun is making a clicking noise but not shooting.

The trigger is stuck and won't pull back in SEMI.

Now power or noise coming from the gun.

Grindy/Scratchy noise when shooting.

Jamming or not shooting BB's.

Not working after troubleshoot.

How to fix

Use a fully charged battery to unlock the gears.

Switch the selector to FULL, fire 2-3 rounds and switch back to SEMI.

Fuse may be blown. Replace with a 20A or 25A fuse found at most auto stores.

Motor height is too high/low. Turn allen screw at bottom of motor grip left or right until sound goes away.

Barrel is jammed. Check instructions to fix problems.

Contact info@echo1usa.com on our site for more help.

