

ECHO 1

UNIVERSO SNIPER
AIRSOFT



ASC-H

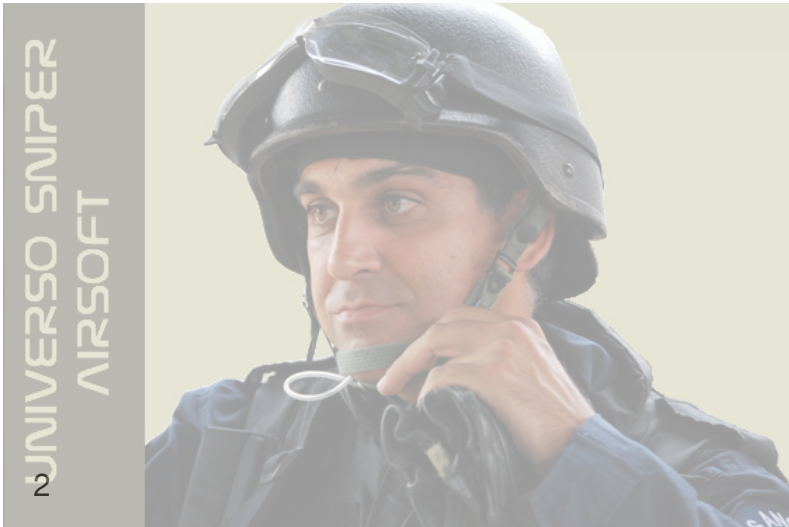
ADVANCE SQUAD CARBINE - HEAVY

Instruction Manual



BEFORE USING THIS PRODUCT, CAREFULLY READ THROUGH MANUAL AND RETAIN IT FOR FUTURE REFERENCE. ECHO1USA AUTOMATIC ELECTRIC GUNS ARE INTENDED FOR AGES 18 AND ABOVE. THIS PRODUCT MAY CAUSE SERIOUS INJURY IS MISUSED. FULL FACE PROTECTION IS REQUIRED.

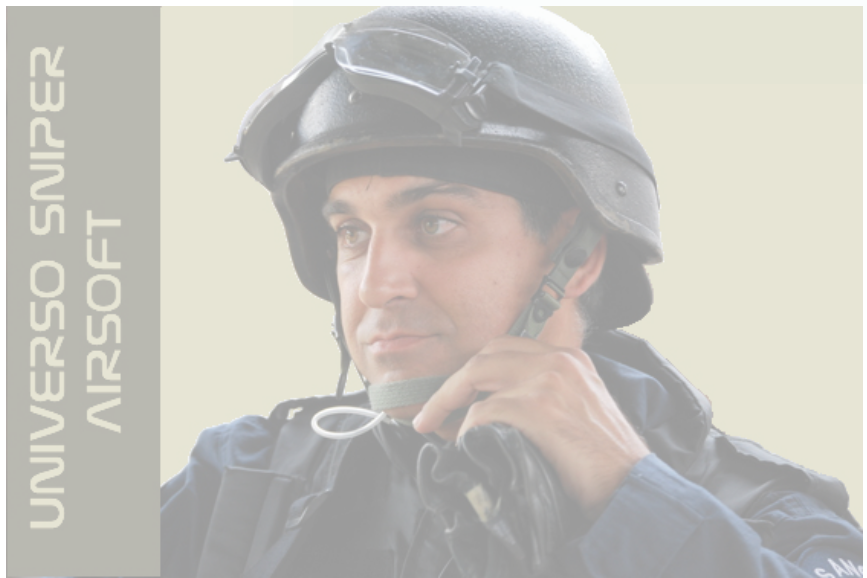
Parts of the Gun



Specifications

| | |
|-----------------|--------------|
| Weight | 6.5 lbs |
| Barrel Length | 300 mm |
| Overall Length | 770 / 825 mm |
| Barrel Caliber | 6.08 mm |
| Ammo Capacity | 400 rounds |
| BB Size | 6 mm |
| Feet Per Second | 380-400 fps |
| Battery Type | 9.6v Custom |

Parts of the Gun



Specifications

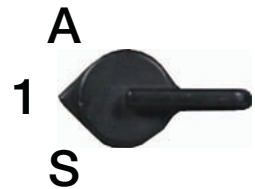
| | |
|-----------------|--------------|
| Weight | 6.5 lbs |
| Barrel Length | 300 mm |
| Overall Length | 770 / 825 mm |
| Barrel Caliber | 6.08 mm |
| Ammo Capacity | 400 rounds |
| BB Size | 6 mm |
| Feet Per Second | 380-400 fps |
| Battery Type | 9.6v Custom |

Fire Selection



Safe

Trigger is secure and cannot fire



Semi

With one trigger pull one BB is fired

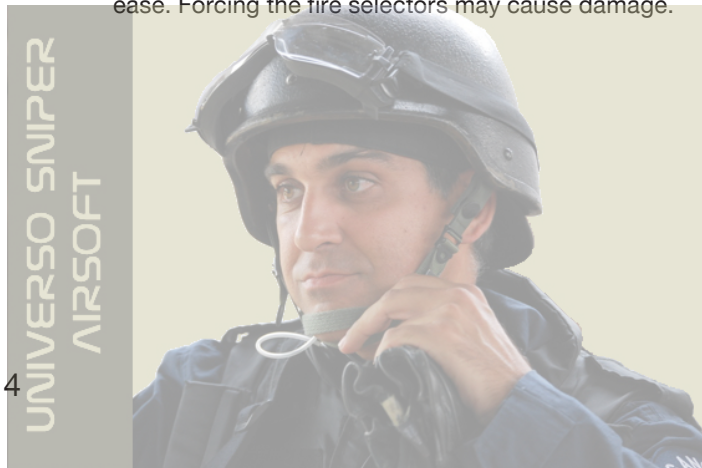


Auto

Gun will fire automatically while trigger is pulled

Operational Tips:

- If the trigger is stuck or jammed in SEMI mode please select AUTO and fire several times to reset the cut off lever.
- Low battery power can cause this jam. The fire selectors will move with ease. Forcing the fire selectors may cause damage.



How to use the Magazine



- 1) Press the magazine release to remove the magazine from the gun.
- 2) Open the top hatch and load BBs. About 400 bbs can be loaded. Do not force the BBs into the magazine.
- 3) Close the top hatch.
- 4) Hold the mag with the BB top hatch facing up and turn the mag wheel. You will see a bb move to the bb exit and stop. Once a BB has reached the BB exit continue to turn the mag wheel for approximately 15 more turns

Operational Tips:

- Avoid getting dirt and debris into the magazine
- Use caution when mag seems empty.
- There are about 30 BBs left in the loading tube after mag is out of BBs.
- Turn the mag wheel 7-10 times for every 30-50 BBs fired.
- Over-turning the mag wheel may cause damage.
- For storage pull back on the bb stop lever to release the remaining bbs and ensure proper operation for next use.
- If the mag is not feeding correctly please apply silicone oil to the mag wheel and into the BB entrance to lubricate the moving parts.

Battery

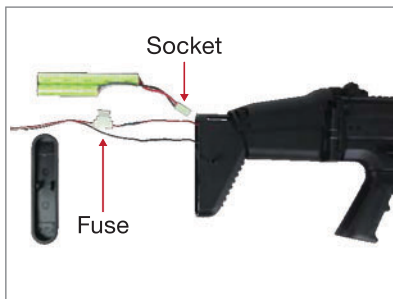
Charge the battery for 3 hours for the first time. When charging have the battery away from all combustible materials and on a cool hard surface. If battery becomes hot remove and charger and let it cool before use. When cycle rate becomes slow, stop shooting and remove the magazine. Shoot 2 times in semi to clear the gun, remove the battery and recharge.

$$\frac{\text{Battery: 1200 mAh}}{\text{Charger: 300 mAh}} = \text{Est. Charge Time: 4 Hours}$$

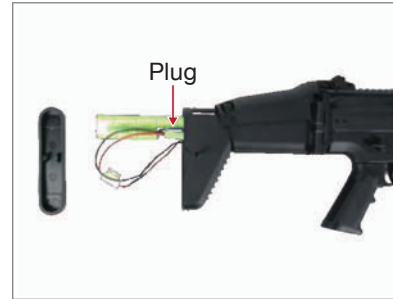
Divide the battery output by the charger output to get the estimated charge time for different battery / charger combinations.



Step 1. Gently push the stock pin to the side. The stock pin is held in the stock by a small metal clip. With too much force applied to the stock pin the clip will become disconnected. Do not lose the stock pin and clip.



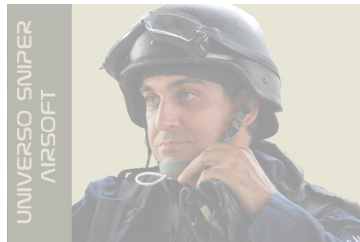
Step 2. Gently pull the wires out of the stock. On the wires there is the fuse holder and the sockets. If the wires or fuse is not plugged in the gun will not function.



Step 3. The custom battery has an empty spot which is for the plug. Please plug the battery in and place the wires as shown.



Step 4. Slide the battery and wires into the stock. The battery will slide all the way in even when the stock is on the shortest position.



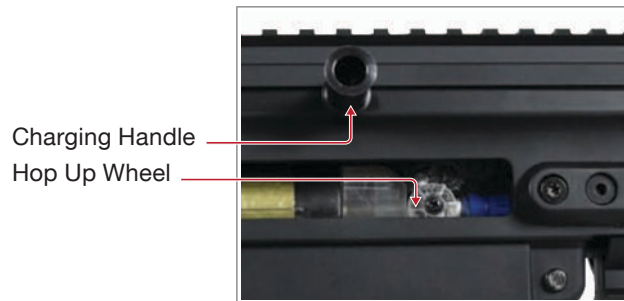
UNIVERSO SNIPER
AIRSOFT



Step 5. Once the battery, wires and fuse is tucked into the stock you can install the butt pad. Press the butt pad onto the back and press the stock pin back through the holes to secure the pad onto the gun.

Hop Up Unit Adjustment

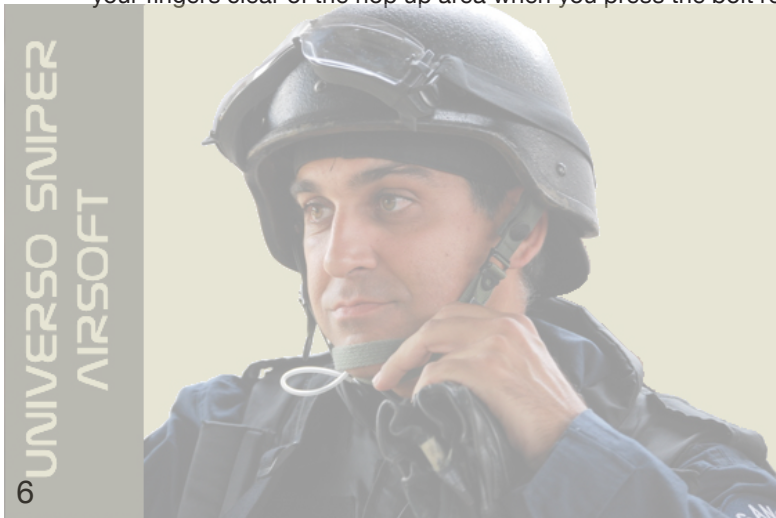
The hop up unit adds a back spin to the BB to allow a longer flight path. Before use please do so in a safe location and make sure nobody is behind the target. When using different weight BBs you will have to make adjustments. When not in use please turn the hop up unit off.



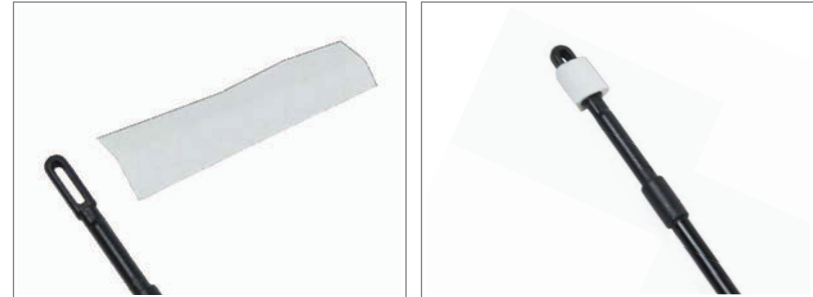
Step 1. To access the hop up unit pull back the charging handle and have the handle lock in place to stay open.

Step 2. Turn the large hop up wheel forward toward the front of the gun to add more hop to the flight of the bb. To turn the hop up unit off or to lessen the effect you will have to turn the wheel backwards.

Step 3. Once the best setting is found you can hide the hop up unit by pressing the bolt release. The charging handle will go forward. Please keep your fingers clear of the hop up area when you press the bolt release.



Hop Up Unit Cleaning



Cut the cloth or paper towel in the size as shown above. Fold the material to fit through the loop. Adjust the length of the material to smoothly enter the barrel. Otherwise too much material will get jammed in the inner barrel and can cause the hop up bucking to get out of place.

- 1) Turn the hop up unit off. Disconnect the battery, and remove the magazine. Spray silicone oil into the hop up chamber from the magwell for 1 sec. and fire 10-15 bbs to oil inner barrel and hop up parts.
- 2) Fire 2 shots with magazine removed to clear gun of bbs and disconnect battery.
- 3) With a twisting motion gently push the cloth and rod down the barrel. Inspect cloth and if dirty repeat 2-3 times until clean

Note: you can apply silicone oil directly to the cloth as well. If there is too much oil in barrel the bb trajectory will be unstable



- 1) Turn the hop up unit off. Disconnect the battery, and remove the magazine
- 2) Use the angled end of the cleaning rod to push the BB backwards and out through the hop up unit.
- 3) Make sure to have the angled end facing down and silicone oil will help loosen the BB.

NOTE: If you continue to fire the gun with a jam you will cause more damage.

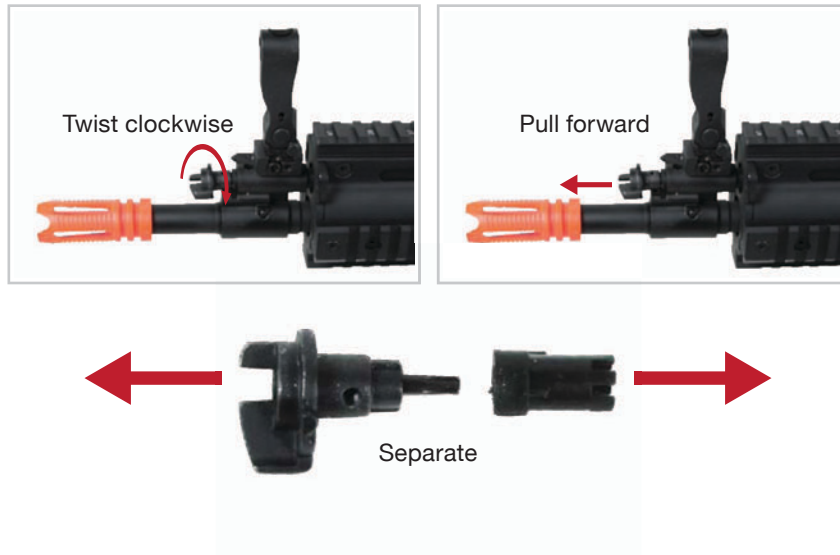
Take down

The Echo1USA ASC-H series can be field stripped.



To drop the lower receiver press the body pin to the side. The body pin is held in the lower by a metal clip. Once the body pin is loose you are able to pivot from the rear and separate the lower. Make sure the bolt and charging handle is forward for an easier procedure.

To remove the outer barrel you can use the provided T-15 tool hidden in the gas block.



Sights

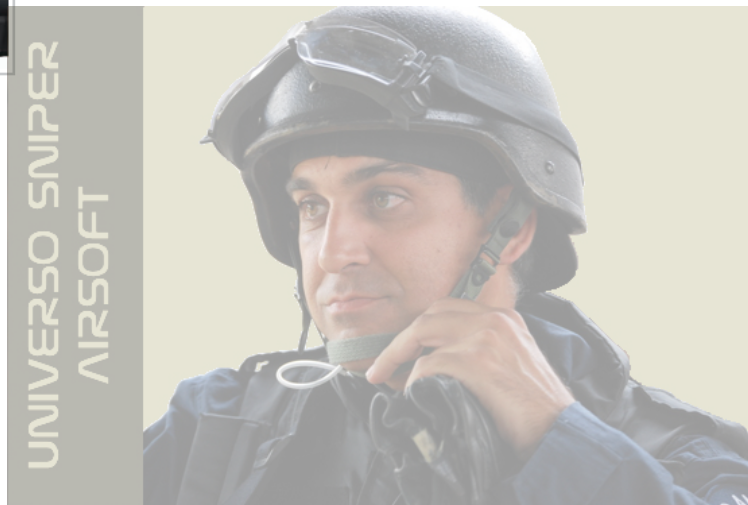
The flip up front sight has a release button to change its position.



Press the button then move sight up or down.



The rear sight is fully adjustable for windage and elevation



Trouble Shooting

Notes

Gun is making a quiet clicking noise when trigger is pulled.

Use a fully charged battery or 12v to unlock the gears.

The trigger is stuck and will not pull back in SEMI mode.

Switch the selector to AUTO mode, fire 2 - 3 times, and switch to SEMI.

No power or noise coming from the gun.

Fuse may be blown. Replace with a 20 amp or 25 amp fuse found at most auto parts stores. Bypass by sticking the connectors together.

Grindy / scratchy noise when shooting.

Motor height is too high or low. Use a 1.5mm allen key or flat head screw driver to tighten or loosen until the sound goes away.

BBs jamming or not shooting

Barrel is jammed. Please check with Hop Up page to unjam.

Now working after trouble shoot.

Please contact info@echo1usa.com on our home page for more help.

