

ECHO 1 USA Model 249 MKII MK2 AEG Owner's Manual

Cortesía de Universo Sniper Airsoft, www.universosniperairsoft.com

ECHO 1 Model 249 MKII MK2 Airsoft Electric Gun

Hop System: Adjustable

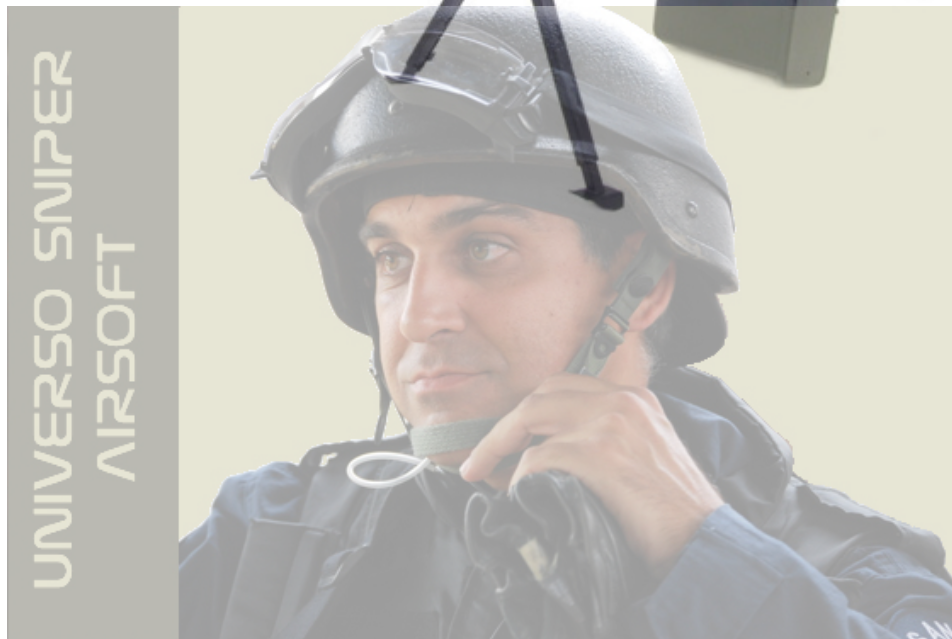
Length: 1050mm

Weight: 6050 g

Barrel Length: 455 mm

Magazine Capacity: 2500
rounds

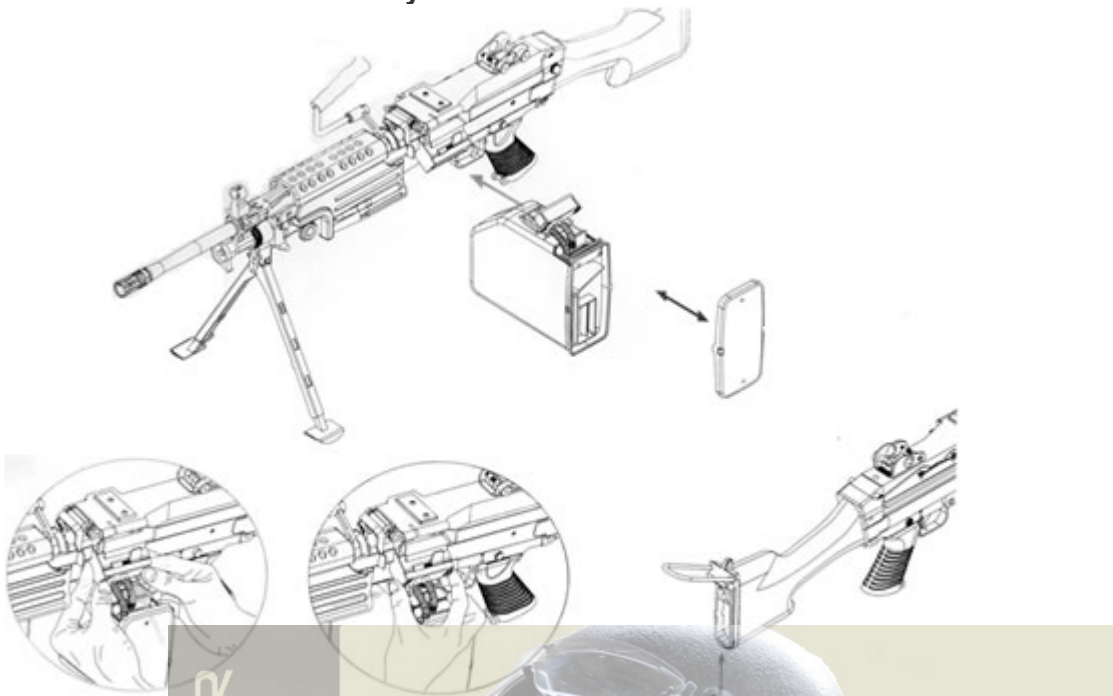
Bullet: 6 mm BB bullets



ECHO 1 Model 249 MKII Expose Plan



ECHO 1 Model 249 MKII Battery Installation



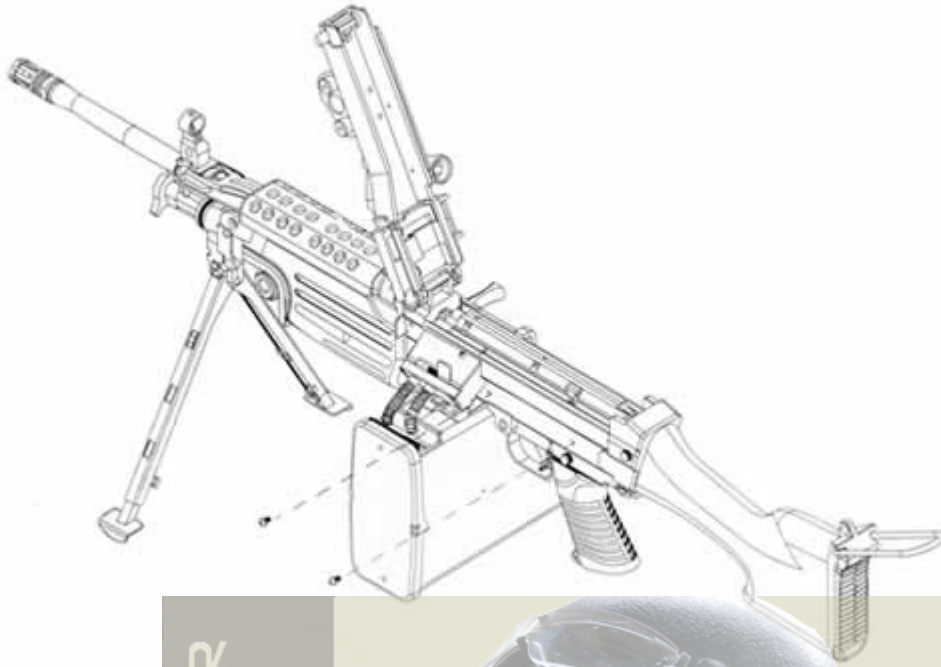
ECHO 1 Model 249 MKII Underprop Adjustment



[back to top](#)

[back to top](#)

Echo1 249 MKII Gear Box Installation



ECHO1 249 MKII Spring Release

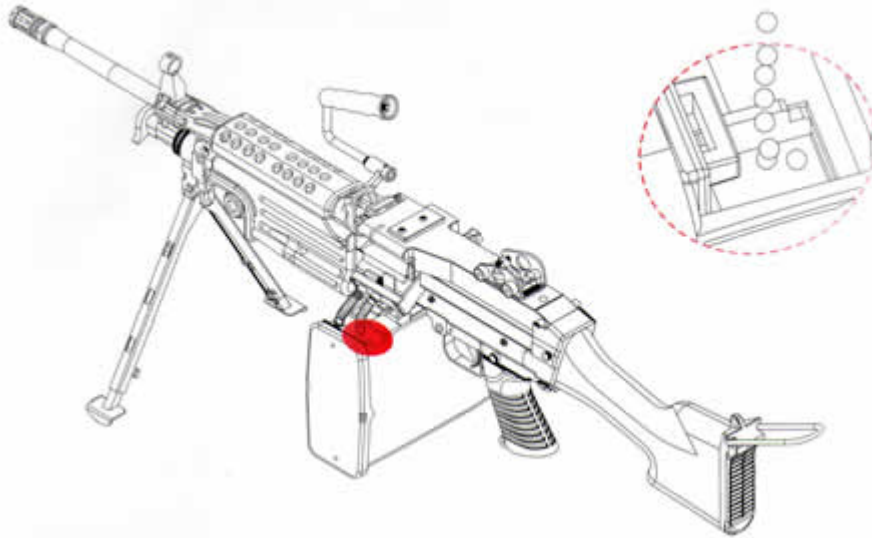


[back to top](#)

[back to top](#)

ECHO1 249 MKII Box Magazine Loading

BOX MAGAZINE CAPACITY:2500 RDS



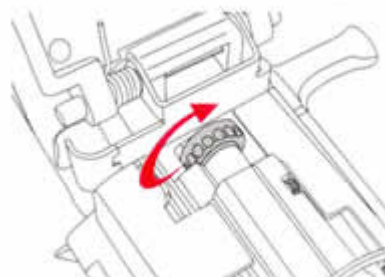
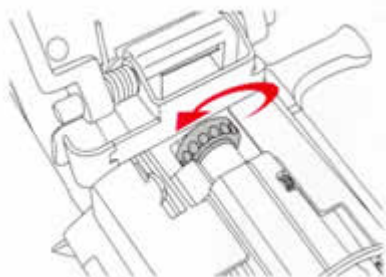
[back to top](#)

Echo1 249 MKII Safety Setting



[back to top](#)

ECHO1 249 MKII Hop-Up Adjustment



With hop up, BB pellets are able to extend its trajectory with revolution. Adjust with 2mm wrench.

When turning to the right, hop up becomes easy. When turning too much, BB pellets can't shoot out and problem occurs.



[back to top](#)

Warning

Do not aim or shoot a person or animal as the target.

Avoid pulling the trigger carelessly.

Always put the gun in a case or bag when you carrying it.

Always set the switch lever to the safety position.

Do not look into the gun muzzle.

Always wear eye protective gear.

Store the air soft gun at the places out of reach by children.

Do not disassemble or modify the air soft gun.

