

FABARM PROFESSIONAL

Powered by BO Manufacture

BO Manufacture holds the exclusive worldwide license from Fabarm SpA for all necessary IP rights for use with this product.



BO Manufacture
6 Avenue Gustave Eiffel
33600 Pessac
France
www.bomanufacture.com



VegaForce Company
www.gb-tech.com.tw
e-Mail: service@vegaforce.com.tw

STF / 12

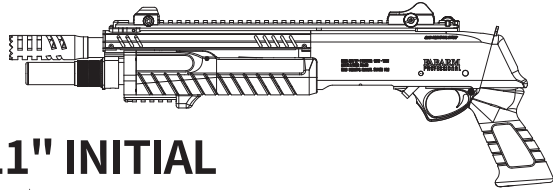
GAS/CO2 OPERATED AIRSOFT REPLICA / 6 MM CALIBER

INSTRUCTION MANUAL

SAFETY RULES	01
COMPONENT NAME	02
ASSEMBLY OF MIL-STD 1913 PIVOT PICATINNY RAIL	03
ADJUSTING THE LOW FRONT SIGHTS POSITION	05
ADJUSTING THE FRONT SWIVEL PLATE	05
FOLDING THE STOCK	06
FITTING THE SIDE SHELLS HOLDER	07
SAFETY SET	07
LOADING THE BBs TO SHOT SHELLS	08
FILLING THE GAS	09
INSERT THE CO2 CARTRIDGE	10
SELECTING THE SHOT MODE	11
LOADING / UNLOADING THE SHOTGUN	12
FIRING AND ACTION CYCLE	13
MAINTENANCE AND CLEANING	14
PARTS LIST	16

FABARM PROFESSIONAL

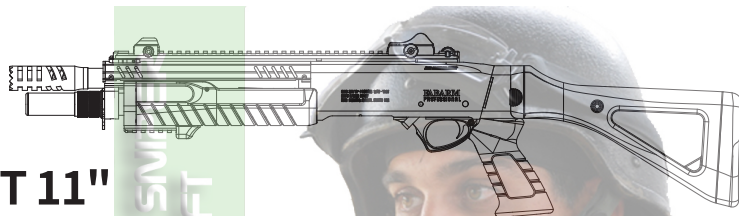
FABARM PROFESSIONAL SERIES



SHORT 11" INITIAL

VF5-STFS-BK01 (GAS)

VF5-STFS-BK11 (CO2)



COMPACT 11"

VF5-STFC-BK01 (GAS)

VF5-STFC-BK11 (CO2)

Over All : 620 mm (S) / 835 mm (C)
 Inner Barrel : 260 mm
 Weight : 2400 g (S) / 3150 g (C)
 Bullet : 6 mm
 Capacity : 30 Rds Shotgun
 Muzzle Speed : 90 m/s (GAS)

NOTE:

Muzzle speed varies for different country regulations.

SAFETY RULES

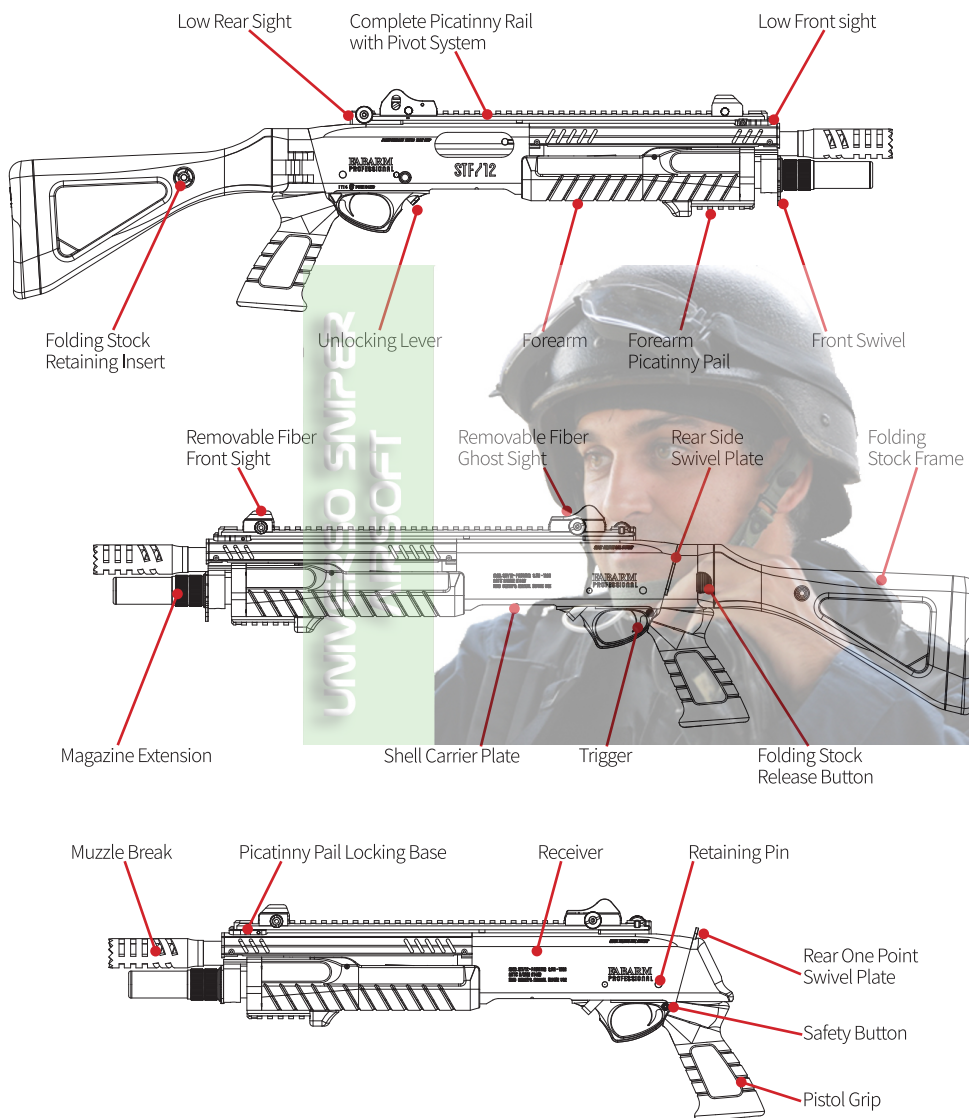
- Always wear eye protective gear when shooting.
- You may be punished by local law if you are shooting for practical jokes.
- Never shoot the gun at places where people, animal and vehicles pass cross.
- Never aim or shoot a person or animal as a target.
- Never point a firearm at anyone and always keep the muzzle pointed in a safe direction.
- Never look into the gun muzzle.
- Always treat all firearms as if they are loaded. Don't rely on your gun's "SAFETY".
- Keep your finger off the trigger while loading or not, avoid pulling the trigger carelessly.
- Keep "SAFETY" set on until ready to fire.
- Always put the gun in a case or bag when you are carrying it.
- Guns should be unloaded when not in use and stored in a safe and secure location.
- Keep away from children.

WARNING:

Read these SAFETY RULES & OPERATORS MANUAL before handling your firearm!

COMPONENT NAME

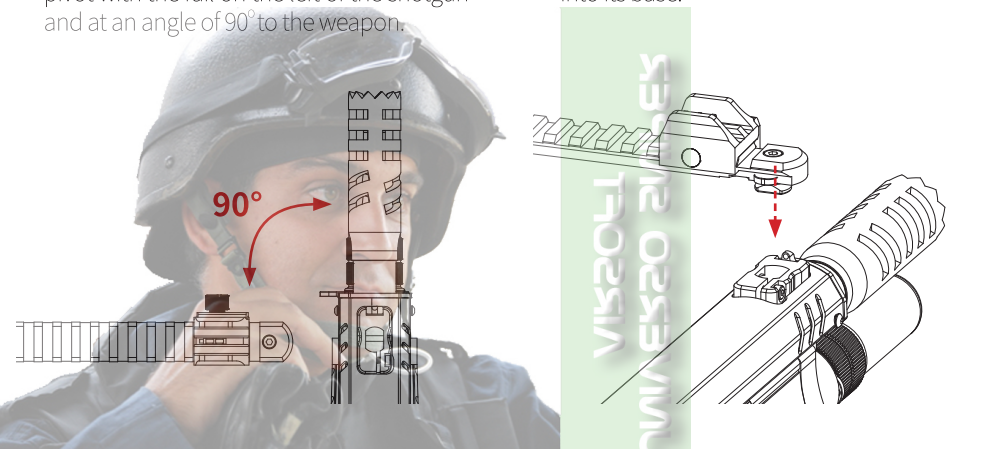
ASSEMBLY OF PIVOT MIL-STD 1913 PICATINNY RAIL



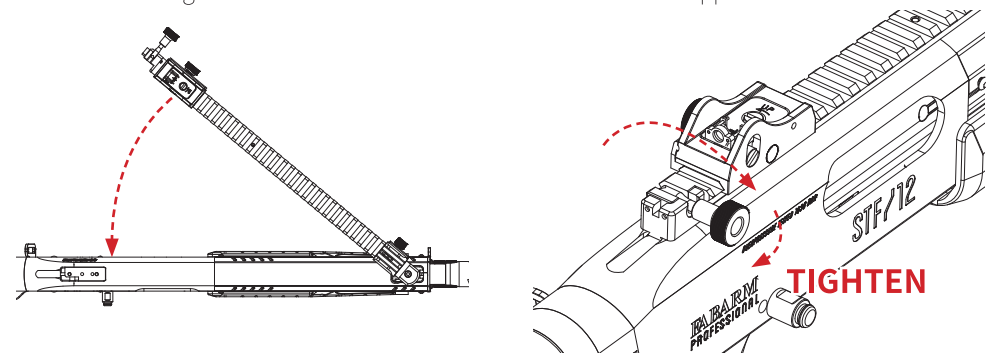
The STF/12 shotgun has an extra MIL-STD 1913 Picatinny rail (390 mm), and it could be quick-release by a pivot system. And which has a front sight and a ghost sight, both removable.

To Assembly The Rail :

1. Place the rail above the front receiver of the pivot with the rail on the left of the shotgun and at an angle of 90° to the weapon.
2. Keep the position, and insert the front pivot into its base.

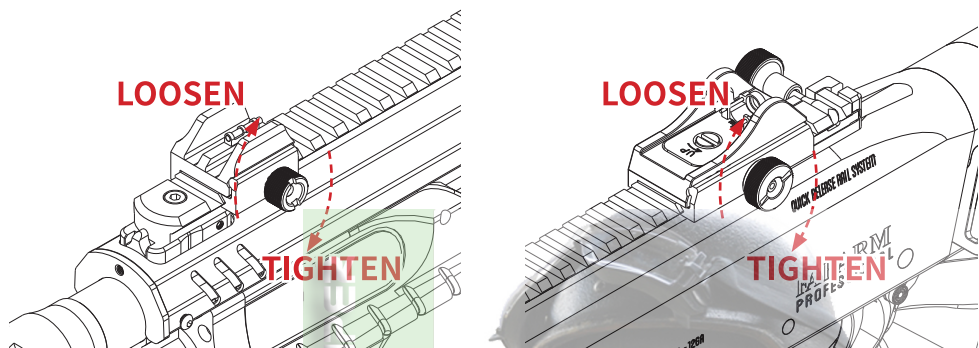


3. With a circular movement from left to right, bring the rail into position on top of the weapon while inserting the end of the rail into the rear sight base on the frame.
4. Fold down the rail attaching lever on the receiver. Firmly tighten the thumbwheel on the lever. For disassembly, proceed as above in the opposite order.



To Remove The Sight Set On The Rail :

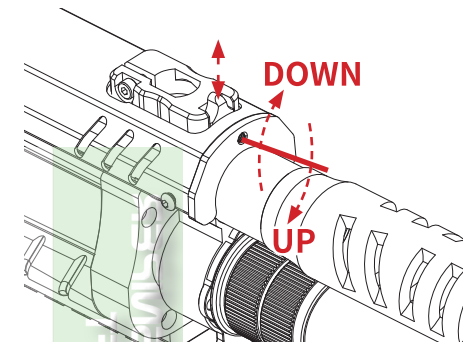
1. Loosen the attaching thumbwheels located on the left side of the ghost sight or front sight.
2. Insert the ghost sight and the front sight in the desired positions on the Picatinny rail then tighten the side thumbwheels.



ADJUSTING THE LOW FRONT SIGHTS POSITION

When the MIL-STD 1913 rail is removed, a low front and low rear sight allows accurate open sighting, and the metal low front sights can be adjusted for elevation.

1. Loosen the small hole at the front of the barrel lining with a suitable Allen key.
2. Move the front sight up (to lower the point of impact of the shotgun) or down (to raise the point of impact of the shotgun) then tighten the screw firmly.



NOTE :
The low rear sight cannot be adjusting.

To Adjusting The Ghost Sight (Rear Sight) On The Rail :

1. Up and Low :

Turn the adjustment knob on the top of rear sight.

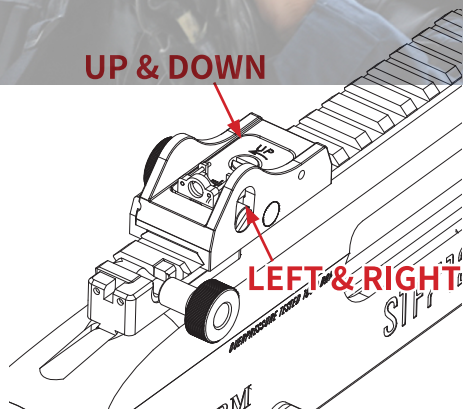
UP & DOWN

2. Left and Right :

Turn the adjustment knob on the right side of rear sight.

LEFT & RIGHT

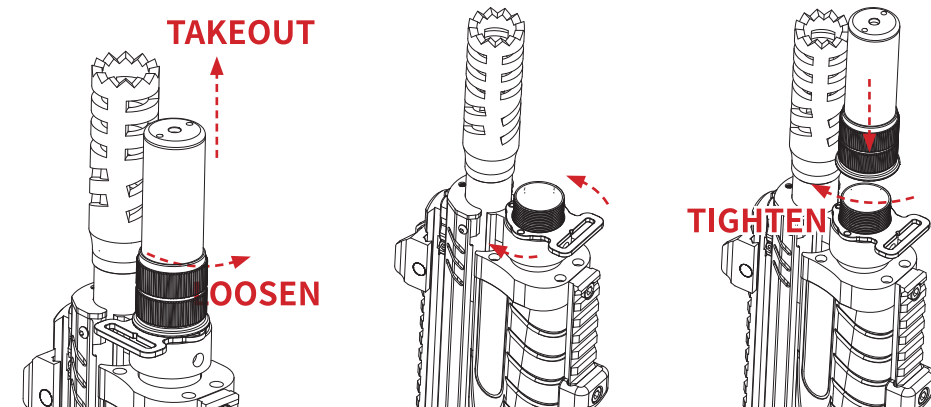
Please follow the directive of clearly marked on the top of rear sight to adjusting.



ADJUSTING THE FRONT SWIVEL PLATE

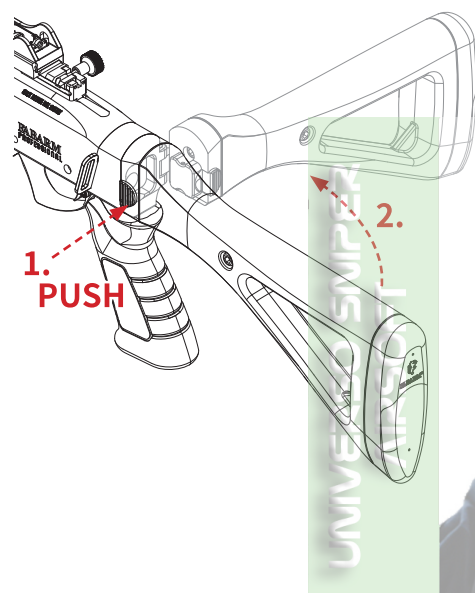
The swivel plate on the magazine extension can be adjusting on three positions.

1. Loosen the magazine extension tube and take out.
2. Whirling the swivel plate in the desired positions.
3. Reinstall the tube and tighten the whorls.



FOLDING THE STOCK

The stock is designed to enable the user to shorten the gun as he wishes, for any situation. The STF / 12 folding stock can be used for firing the weapon with the stock folded, but without it covering the sights.



1. Press the pushbutton on the left-hand side of the stock.
2. Push the stock while turning it to the right of the frame.

3. Accompany the stock with your hand, press it firmly to Retaining Insert on the right side of the receiver.



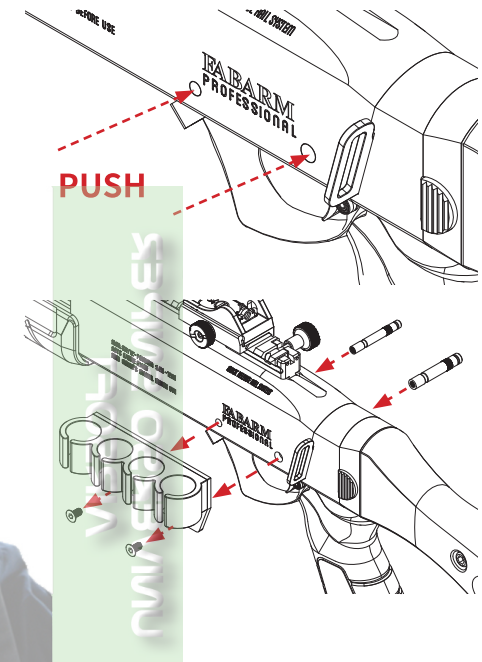
6

4. To expansion the stock, proceed as above in the opposite order. Hold it by the end (recoil pad side) and with a firm action, detach it from the attaching pin.
5. Push the stock home by turning it to the left until it locks on its own in the unfolded position. Check that the pushbutton is properly engaged.

FITTING A SIDE SHELLS HOLDER (Optional)

The STF / 12 are able to insert an extra 4-rounds shells holders on the left side of receiver. To attach the shells holders :

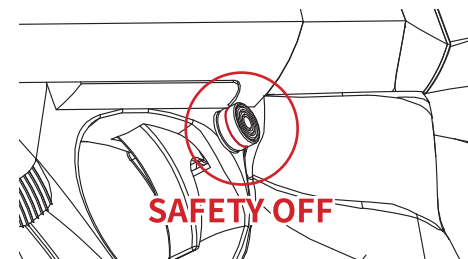
1. Push in two retaining pins from left side of receiver and take it down.



2. Insert two specific Internal thread pins from right side of receiver, to replace the retaining pins. taking care not to move the trigger guard. Then locate the shells holders on left side of receiver, aligning the positions of the holes. Tighten these two screws firmly into the shell holder plate.

SAFETY SET

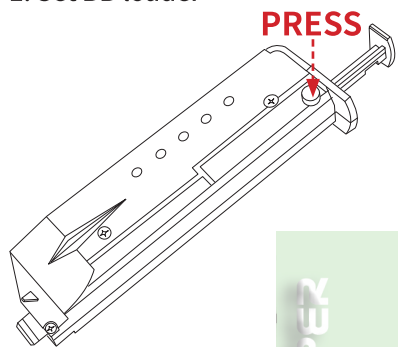
The STF / 12 shotgun has a triangular and reversible safety button. on the top of trigger guard complete. Push the button to set the safety, when the red line is concealed, the weapon safety is "on".



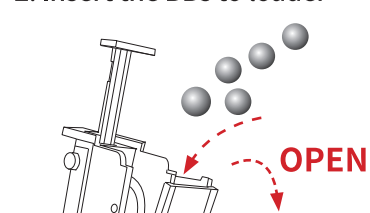
7

LOADING THE BBs TO SHOTSHELLS

1. Set BB loader



2. Insert the BBs to loader



3. Load BBs

Insert the BBs into the shotgun shell from the head. The maximum capacity is 30 rounds.



30 ROUND MAX

CAUTION :
Do not force to over load.

CAUTION :

Always use the quality BBs for this airsoft gun. We will not be held responsible for any damage and accidents arising from using of bad quality BBs.

- Diameter larger than 6mm
- No true round BBs
- Both halves not aligned
- With flash
- Used or soiled

FILLING THE GAS

1. Install The Gas Tank

For the gas version of STF /12 filling, please install the gas tank FIRST. Push in the separate gas tank in to pistol grip until a CLICK SOUND is heard.

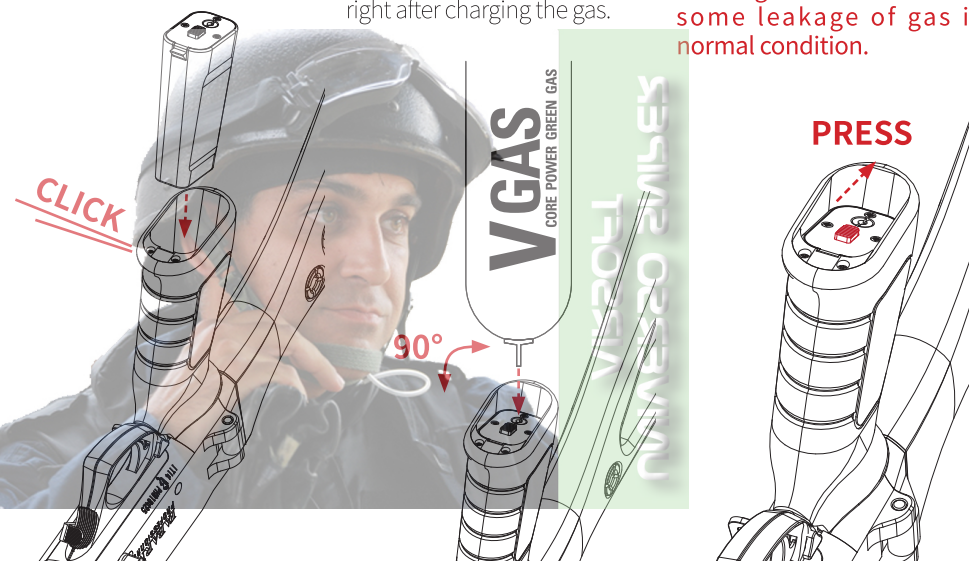
2. Filling The Gas

Make sure the canister is in vertical position when charging. Filling the gas 3-4 seconds and pull out the gas canister. For the batter performance of the gas shotgun, do not shoot the rifle right after charging the gas.

3. Release The Gas Tank.

To release the gas tank, press the button under the gas tank backward.

NOTE :
When gas tank released, some leakage of gas is normal condition.



CAUTION :

You may experience a delay action if the surrounding temperature drops below 20°C / 68°F. Remember, do not expose magazine directly under the sun or incinerate the magazine, it may cause bursting. It is strongly recommended to empty gas from magazine after shooting. Be sure to avoid direct gas contact with eyes or skin when gas is being released, it will cause frostbite.

1. Check canister for any cracks or leaks before using.
2. Do not expose canister over 40°C / 104°F.
3. Do not leave canister directly over fire.
4. Do not boil canister.
5. Keep canister away from direct sunlight.
6. Do not leave canister inside the vehicle.



INSERT THE CO2 CARTRIDGE

1. Unlock The Cartridge Cap

For the CO2 version of STF /12 charge, please turn the cartridge cap on the bottom of grip with 6mm hex wrench(Included) out counter-clockwise and take it down.

2. Insert The CO2 Cartridge

Place the CO2 cartridge inside the grip, and rapidly turn the cap clockwise until piercing the cartridge. For replace the CO2 cartridge, please proceed as above in the order from first step.

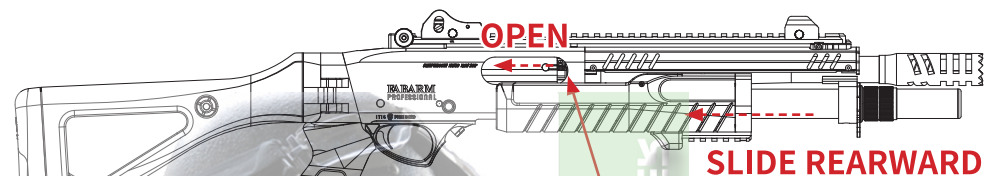
NOTE :
When CO2 cartridge cap are loosen, some leakage of gas is normal condition.



SELECTING THE SHOT MODE

The STF / 12 shotgun have tri-shot / multi-shot system, can be fires 3 or more BBs with one pull of the trigger. before select the shot mode, engage the safety by pressing the safety button so that the red line is no longer visible.

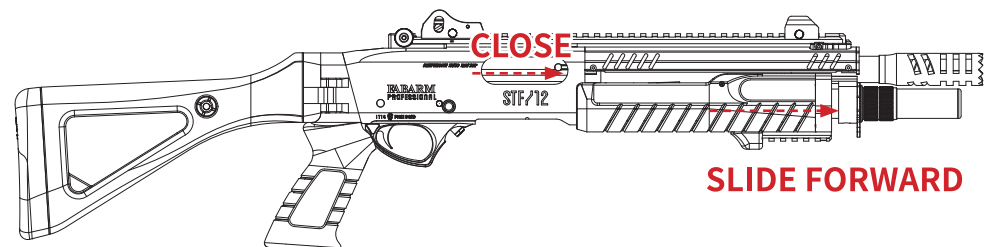
1. Slide the forearm completely rearward and the ejection port cover will open.



2. Pull the switch in the ejection port to 3 or 6 marking to adjust the shot mode.



3. Slide the forearm forward to close the ejection port cover.

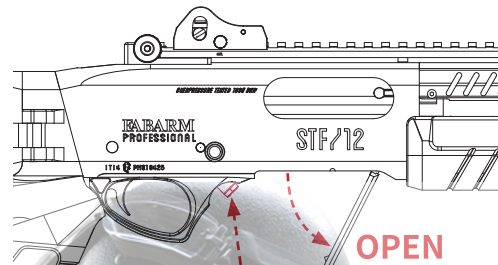


LOADING / UNLOADING THE SHOTGUN

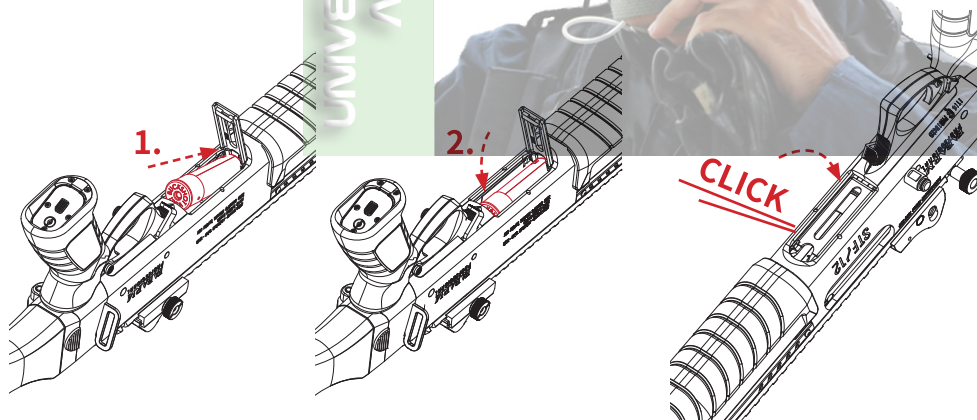
Before loading the STF / 12 shotgun, engage the safety by pressing the safety button so that the red line is no longer visible.

1. To unload the shotgun and reload, Press the unlocking lever in front of the trigger guard to the end, to open the shell carrier and push the shell rem out, remove the shell by hand.

If there are no run on the chamber, press the unlocking lever, and shell carrier plate will open.



2. Turning the shotgun so that the trigger guard is facing up. Push the front of the shell in to the location of magazine tube until the rim of the shell snaps past the cartridge stop and locked. ONE round shell only.
3. Close the shell carrier plate until a CLICK SOUND is heard.



WARNING :

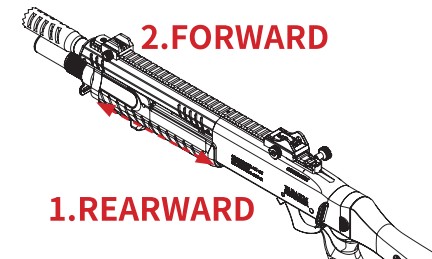
During loading or unloading, never allow fingers or any object to contact the trigger and remains the shotgun pointed in a safe direction.

CAUTION :

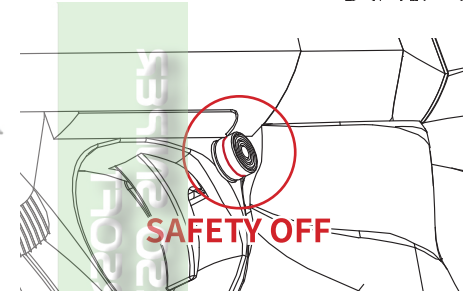
For smooth operating and maintain the performance, please use original shot shells.

FIRING AND ACTION CYCLE

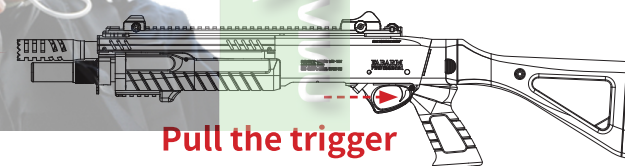
1. With the shotgun pointed in safe direction or at an identified target. And slide the forearm rearward and forward to loading first round.



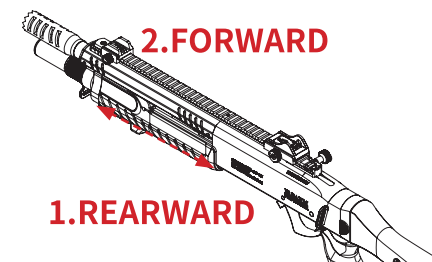
2. Take off the safety button.



3. Pull the trigger to fire.



4. After firing the first round, slide the forearm backward and then forwards again to finish the action of reload. Repeat this pumping action after each shot. Release the trigger after each shot and pull it to fire again.



WARNING :

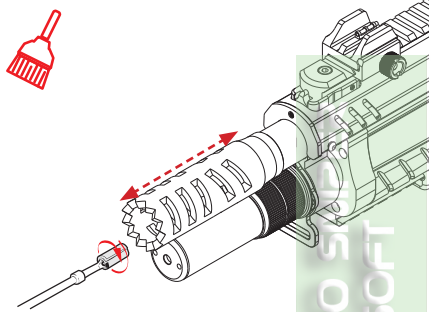
Always point the muzzle in a safe direction and wear eye protective gear before firing.

MAINTENANCE AND CLEANING

The correct maintenance and cleaning of your shotgun will guarantee its long life and maintain the performance of your weapon.

1. Barrel

Use patch holder to clean the pipeline of inner barrel.



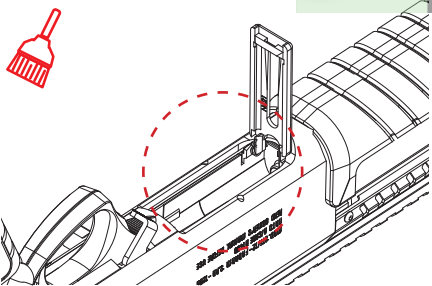
2. Gas Tank

Lightly lubricate to nozzle at up and down side.



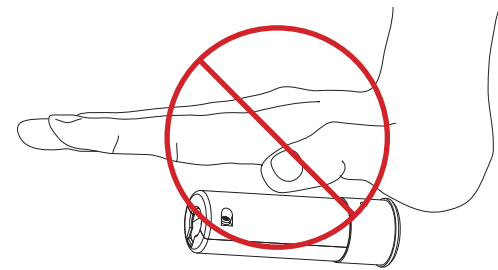
3. Chamber

Keep Clean of all inside areas and Lightly lubricate the Shell carrier plate latch.



4. ShotShells

Keep clean and do not squeeze or converted, and use original shot shells.



Troubleshooting

Symptom	Cause	Action
No operation at all.	<ol style="list-style-type: none"> 1. No gas or CO2 cartridge in chamber. 2. Safety button on "SAFE" position. 3. Not loaded. 4. The magazine is in low temperature. 5. The pressure inside the gas tank is too high. 	<ol style="list-style-type: none"> 1. Unload the chamber in the grip and refilling the gas or replace CO2 cartridge. 2. Pressing the safety button to "OFF" so that the red line is visible. 3. Pull the forearm rearward and back to loading the rifle. 4. After running fire, the magazine will be in low temperature. Please unload the gas tank till the temperature rise to normal. 5. Do not use gas which pressure is surpassed 12 bl, and do not warming the magazine by fire or heating equipment.
Gas tank leak	<ol style="list-style-type: none"> 1. O ring aged. 2. O ring broken. 3. Charging valve broken. 	Purchase the replacement part at local dealer or from VFC

CAUTION :

Use silicon oil the lubrication only. Do not use WD-40 or real gun maintenance oil as lubrication.

NOTE :

If you have any other states or problem, please contact with your dealer or write the E-mail to us!

Email address : service@vegaforce.com.tw



STF / 12

GAS/CO2 OPERATED AIRSOFT REPLICA / 6 MM CALIBER

THE FORERUNNER OF MODULAR TACTICAL SHOTGUN

STF / 12

FABARM PROFESSIONAL

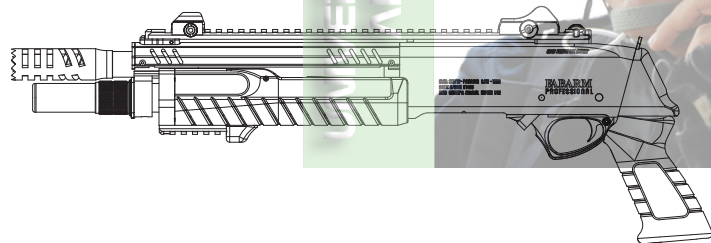
PARTLIST OF STF / 12

Please visit our website for parts list and more information.

www.gb-tech.com.tw



- GAS SERIES : Short 11" Initial GAS / Compact 11" GAS
- CO2 SERIES : Short 11" Initial CO2 / Compact 11" CO2
- SHORT SERIES : Short 11" Initial GAS / Short 11" Initial CO2



- COMPACT SERIES : Compact 11" GAS / Compact 11" CO2

