



www.Guay2.com

DEATH MACHINE MARK 2

TOP FIVE
FUTURE INNOVATION
FINEST QUALITY
FAST SERVICE
FREE ITEMS
FAIR PRICE



G2-201805-02-英



[WARNING] ⚠️

- Recommend G&G Armament high precision BB's on all G&G Armament guns for the best performance and feeding.
- Using low quality BBs may cause the gun to jam, malfunction and damage the internal parts.
- Use only 100% silicone oil for maintenance, as other oils may contain corrosive ingredients which may damage plastic and rubber components.
- Do not adjust the motor without authorization always counsel a certified technician before making any internal changes.
- Always wear safety goggles when using this product.
- Product is intended for adults 18 years and older.
- Read this entire manual to ensure proper usage.
- May be hazardous up to 50 meters.
- Stop shooting when the battery power is low.

[ETU & FULL AUTO TO 3-ROUND BURSTS SETTING]

To set up **full auto to 3-round bursts**.
Switch the selector switch to semi-auto mode and hold the trigger for 10 seconds, the set-up is now completed.
Repeat above steps to switch 3-round bursts to full auto.

- ⚠️ Empty magazine and chamber before set up 3-round bursts or full auto mode.
- ⚠️ Due to the low voltage from different battery and/or motor specifications, it might cause an auto-semi problem, please charge the battery to full when this problem occurs to assure the longevity of the product.



[FIRING MODE & SAFETY]



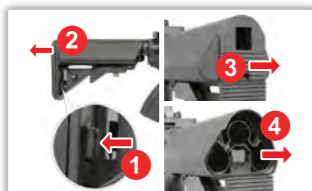
Safety On
The gun will not fire.

Semi Auto
Single shot.

Full Auto
Automatic firing.

⚠️ Always keep the safety on if not ready to shoot.

[INSTALLING THE BATTERY & CRANE STOCK ADJUSTMENT]

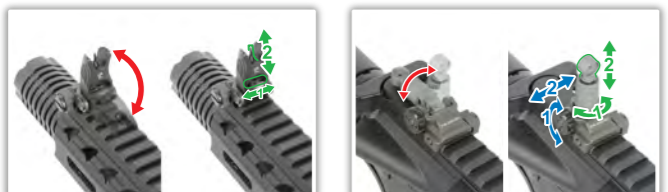


1. Push the butt plate lock (both side).
2. Pull out the butt plate.
3. 4. Take off the cover.



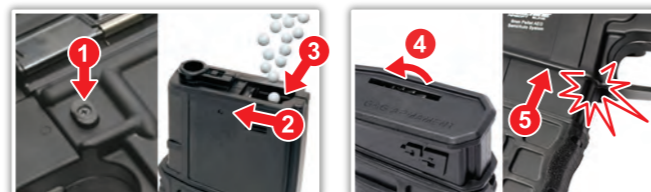
Pull the wire set from the stock and connect the battery until it clicks.
Press the stock lever to adjust the position of the stock. (6 positions)

[FRONT & REAR SIGHT ADJUSTMENT]



- Flip up or fold down.
- Elevation knob (up / down adjustment).
- Windage knob (left / right adjustment).

[SETTING MAGAZINE]



1. Press the magazine catch button to remove the magazine.
2. Open the top plate.
3. Load BBs into the chamber and close the plate when the chamber is full.
4. Turn the winding wheel on the bottom of the magazine to tighten the spring. This will allow the BBs to feed through the top of the magazine.
5. Insert the magazine.

⚠️ It is strongly recommended to use G&G Armament high precision BB's only.
Using low quality BB pellets will shorten product life and void product warranty.



- ⊗ Too much Hop-up (Turn the adjust lever toward Normal).
- ⊗ Not enough Hop-up (Turn the adjust lever toward Hop).

[CHARGING HANDLE & HOP-UP ADJUSTMENT]



Pulling the charging handle will take the bolt back and open the port cover.
⚠️ Don't catch your fingers in the dummy bolt.
Never hold the gun sideways as the BB pellets will curve right or left.

[CLEANING THE BARREL]

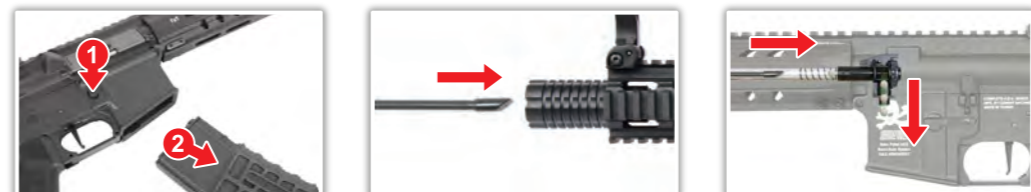


1. Place a few drops of silicone oil or teflon oil on the cleaning cloth and wind around the rod.
2. Insert the cleaning rod into the inner barrel, turning the rod as you insert. Repeat same steps until barrel is clean.

[MAINTENANCE]



[UNJAM]



- Remove the magazine.
- Return the hop up dial to normal position and insert the cleaning rod from the lead edge of the inner barrel.
- Be sure to have the rod facing down and reaching to the end. Remove clogged pellets.

[TROUBLESHOOTING]



- Adjust screw when the gear noise becomes shrilly.
- No operation. Check the wire set contact on the motor.
- No operation. Check the battery and connector. Make sure the battery is fully charged.

- ⚠️ 1. Make sure no dirt gets into the chamber to avoid clogging of pellets.
- 2. Hop-up may be unstable for 200 to 300 rounds after using silicone oil. This is the normal operation of the gun.
- 3. Never use CRC-556, WD40, or other corrosive lubricants.

[TROUBLESHOOTING]

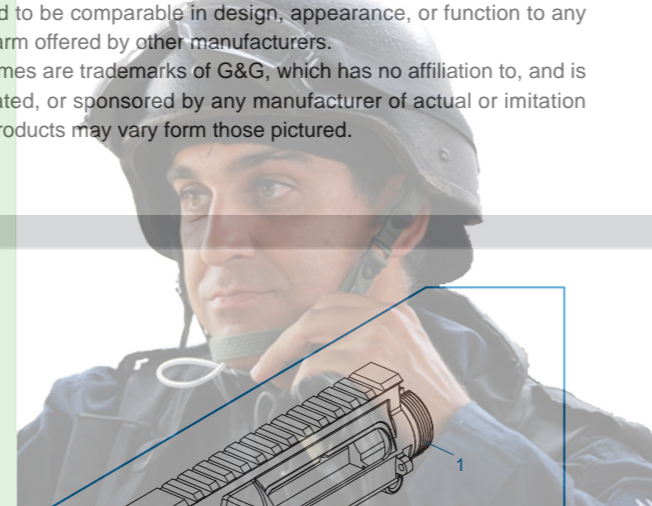
SYMPTOM	POTENTIAL	CORRECTIVE
No operation at all	Selector lever is set to safety. Battery is not charged. Battery connector is disconnected. The + and - of battery connector is reversed. Expired motor life (50,000 to 60,000 rounds) or poor electrical connection.	Set the selector lever to Semi or Full Auto. Charge the battery. Connect the connector. Switch the batteries to the correct position. Replace the dead motor (can be purchased from local dealer or directly from G&G). Check and repair the contacts. Insert the charging rod into the magazine and move up and down a few times to remove clogged pellets.
Although motor is revolving, no pellet can be fired	Pellets are clogged inside the magazine. Pellets are clogged in the chamber. Faulty gear.	Remove clogged pellets using the cleaning rod. Purchase the replacement gear from your dealer or G&G and repair.
Impossible full-auto operation (automatic firing)	Insufficient battery power. Faulty pellet feed of magazine. Poor electrical connection.	Charge the battery. Repair clogging of the magazine. Consult your dealer or G&G for overhaul maintenance or repair.
Shooting distance becomes shorter	Damaged or worn chamber set. Damaged or worn piston set (O-ring, piston spring) Something is jammed in the inner barrel Faulty BB pellets (too small or heavy) Shortage of silicone oil Gear problem caused by too many blank firing	Replace the replacement parts (purchase from your dealer or G&G) Use the cleaning rod and clean the inner barrel. Use G&G Armament high precision BB's. Place a few drops of silicone oil onto the upper chamber.
Too loud operating noise	Worn or damaged gear Gear problem caused by too many blank firing	Consult your dealer or G&G for overhaul maintenance, part replacement (gear, etc.) or repair.
Pellets being fallen out from barrel end	Damaged or worn chamber set. No hop setting. Faulty BB Pellets (too small or heavy)	Turn the hop adjustment lever toward Hop. Use G&G Armament high precision BB's.
If gun gets wet	Stop operation immediately, disconnect the battery, wipe off water from inside the main body and the battery. After the gun is completely dry, carry out trial firing. If the unit is not operational, please contact your local dealer for repair.	

[DISCLAIMER]

- ▶ Accessories in the pictures are not always included with product.
- ▶ Adult supervision required for users under 18 years of age.
- ▶ The purchaser and user should conform to all laws governing the ownership of airsoft guns.

- ▶ All products in this manual are imitation firearms and are not intended nor represented to be comparable in design, appearance, or function to any actual firearm offered by other manufacturers.
- ▶ Product names are trademarks of G&G, which has no affiliation to, and is not associated, or sponsored by any manufacturer of actual or imitation firearms. Products may vary from those pictured.

UNIVERSO SIMULACION AIRSOFT

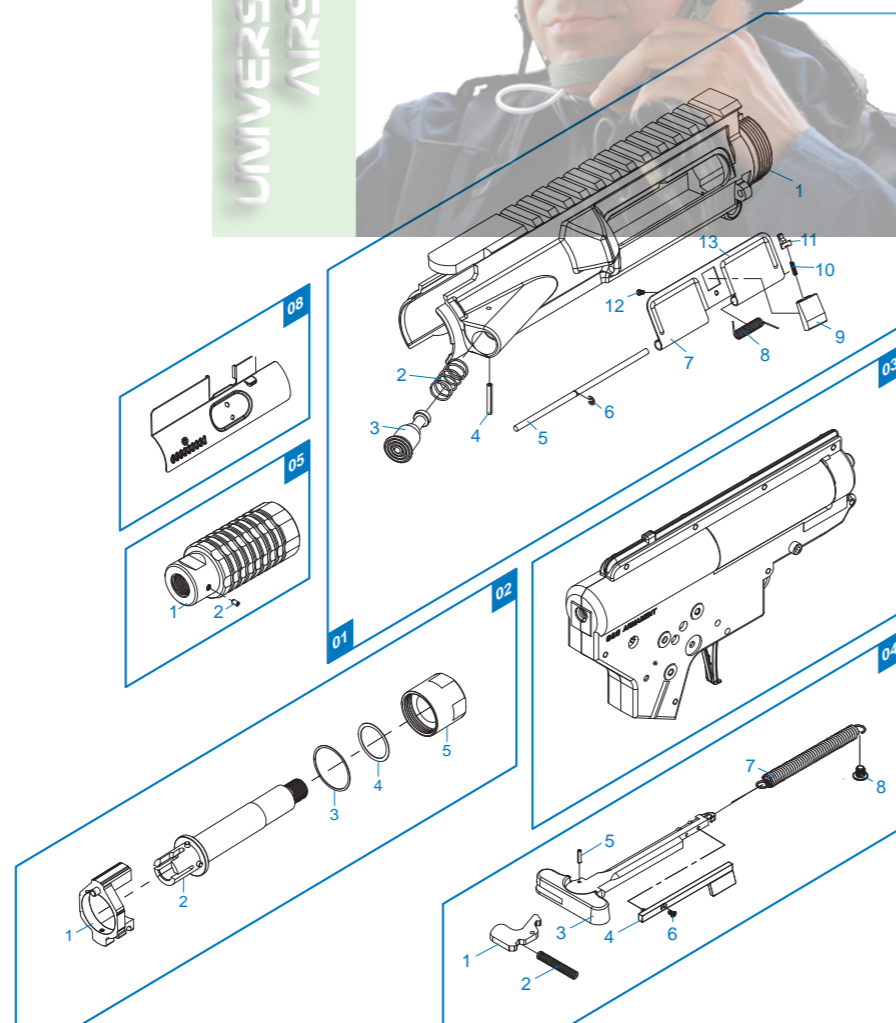


[PARTS LIST]

- 01 Upper Receiver
- 02 Barrel Nut
- 03 Gear Box Set
- 04 Charging Handle Set
- 05 Mock Suppressor
- 06 M-Lok Rail System Set
- 07 Butt Stock Set
- 08 Dummy Bolt Plate
- 09 Rear Sight
- 10 Grip Bottom Set
- 11 Buffer Tube Set
- 12 Motor Set
- 13 Grip Set
- 14 Front Sight
- 15 Lower Receiver Set
- 16 Magazine
- 17 Mosfet
- 18 Hop-Up Set

- ▶ The grouped parts may all be purchased from the G&G Support Department.

▶ E-Mail: support@guay2.com



Please select quality battery with the CE approval, to avoid any unnecessary damage on the product.

Remove the battery from the product when it is not in use.

Do not wet nor incinerate the battery, nor to deform terminal.



You may be liable for damaging public or personal property or for injuring a person or an animal even if you only meant to shoot as a "practical joke". Always observe good manners and enjoy fun sport shooting.



Never direct the muzzle towards a person, animal or in any direction. That may cause harm or damage to the third party.



When you carry the air gun, attach the safety cap, set the selector lever to the safety position and always put the air gun in a case or bag.



Make sure to put the barrel and safety cap on the muzzle, except when you are shooting. Do this to prevent accident, discharge of BB's and also for dust protection purpose. Never pull the trigger while the barrel and the safety cap is attached.



Safety procedures:
1. Attach the safety cap to the muzzle.
2. Set the selector lever to the safety position.
3. Remove the magazine.
4. Remove the battery.



Looking into the muzzle is extremely dangerous regardless of BB's having been loaded or not. If you get hit in the eye by a BB pellet, you may in worst case, lose your eye sight.



Select a safe place for operating the air gun, avoid places where people and cars are around.



Activating the trigger carelessly is extremely dangerous. Never put your finger on the trigger unless the safety cap is removed and you are ready to shoot a target.



When shooting the air guns for target practice or in a game situation, You and all participants must wear safety goggles or other eye protective gear. Also pay attention to ricochet. It is very important to pay attention to third parties other than the participants.



There may be cases where some BB's remain in the gun after the magazine has been removed. After removal of the magazine, direct the muzzle towards a safe direction and pull the trigger to confirm that there are no BB's remain in the gun, then attach the safety cap.



Always attach the safety cap to the muzzle, remove the battery and store the air gun in a case or bag and at a place that is out of reach by children.



Disassembling or modifying the gun may adversely affect the performance and make it dangerous. "It may be against the Law."

