



GUAY2.COM

36 Service

- 36** 3 Systems, Offer Services In **6** Languages.
- 24** All warranty claims are dealt with within **24** hours.
- 36** Orders will be shipped within **36** hours of receiving payment.

GSS

NO.TGS-GSS-VIN-BNB-NCM

- TYPE | AEG
- LENGTH | 901 mm
- WEIGHT | 3500 g
- MAGAZINE | 250 Rounds
- RECEIVER | Metal
- BEARING | 8 mm
- INNER BARREL | 430 mm
- BLOW BACK | NO
- VELOCITY | According to Local Regulation



 WWW.GUAY2.COM
G&G ARMAMENT
 AIRSOFT GUNS & ACCESSORIES



- Stop shooting when the battery power is low.
- Do not adjust the motor without authorization from G&G or a certified technician.
- For maintenance, use the silicon oil on the air nozzle, do not use other types of corrosive oil.

UNIVERSO SNIPER AIRSOFT

TAIWAN

ChangHua (Head Quarter) Tel : +886-4-798-9000 Fax : +886-4-798-9900
 No.999, Zhonghua Rd. Shengang Township, Changhua County 50952, Taiwan (R.O.C.)

Taipei Tel : +886-2-2692-2000 Fax : +886-2-2692-4000
 11F-3., No.27, Lane 169, Kangning St. Shijr City, Taipei County 22180, Taiwan (R.O.C.)

Sales Dept. sales@guay2.com, b2b@guay2.com
Technology Dept. support@guay2.com
PR Dept. pr@guay2.com

U.S.A.

Los Angeles Tel : +1-626-581-0101
 Fax : +1-626-581-1011
 1122 Coiner Court City of Industry, CA 91748 (U.S.A.)
 sales101@guay2.com

G2-201404-01-英



GSS

Operating Instructions

WWW.GUAY2.COM

All G&G products are complied with CE and ROHS 2.0.
G&G Armament is also certified manufacturer of ISO 9001.



G&G SINCE 1986
ARMAMENT



- Adult supervision is required. Always wear safety goggles when using this product.
- Misuse or careless handling of this product may cause injury. May be hazardous up to 50 meters.

You may be liable for damaging public or personal property or for injuring a person or an animal. Always observe goodmanners and enjoy fun sport shooting.

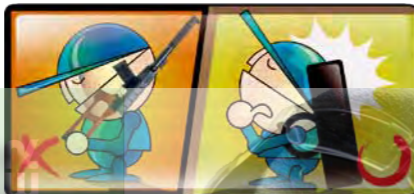


Safety procedures :

1. Attach the safety cap to the muzzle.
2. Set the selector lever to the safety position.
3. Remove the magazine.
4. Remove the battery.



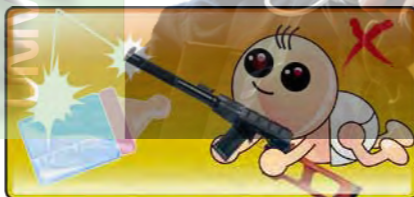
When shooting the air target practice or in a game situation, you and all participants must wear safety goggles or other eye protective gear. Also, pay attention to ricochets. It is very important to pay attention to third parties other than the participants.



When you carry the air gun, attach the safety cap, set the selector lever to the safety position and always put the air gun in a case or bag.



Select a safe place for operating the air gun, and avoid places where people and cars are around.



Always attach the safety cap to the muzzle and remember to remove battery. Store the air gun in a case or a bag at a place which is out of reach of children.



- This product is intended for 18 year-old or older users. Read all instructions before using this product.
- The buyer and the user of this product shall adhere to all local laws regulating the usage and the ownership of airsoft guns.

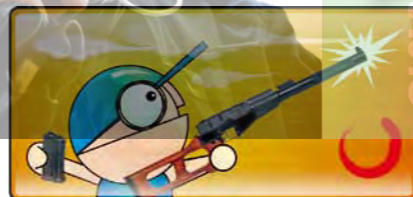
Do not direct the muzzle towards a person or animal. This may cause harm or serious injury if an accident occurs.



Looking into the muzzle is extremely dangerous! Regardless of having BBs loaded or not. If you get hit in the eye by a BB, you may in worst case, lose your eye sight.



There may be cases where some BBs remain in the gun after the magazine has been removed. After removal of the magazine, direct the muzzle towards a safe direction and pull the trigger to confirm there are no BBs that remain in the gun. Set the selector lever to safety, then attach the safety cap.



Make sure to always put the safety cap on the muzzle when you are not shooting. Do this to prevent accident, discharge of BBs and also for dust protection purposes. Never pull the trigger while the safety cap is attached to the muzzle.



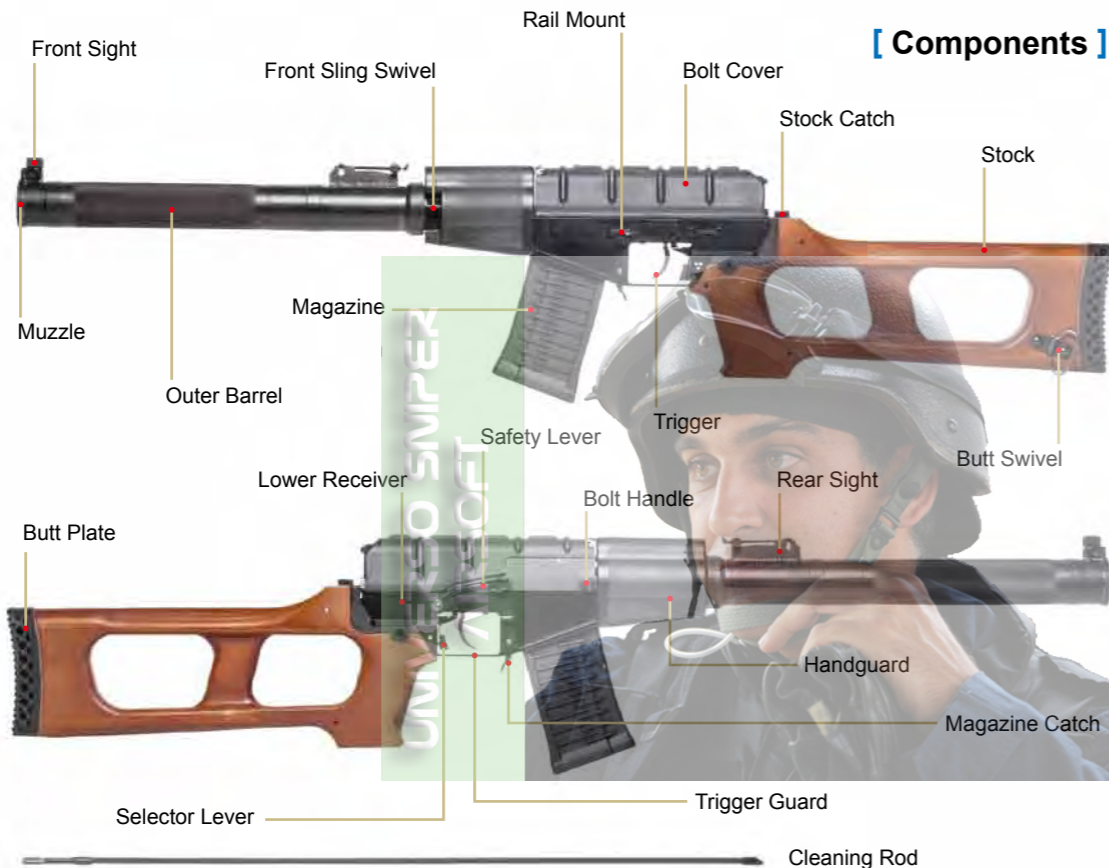
Activating the trigger carelessly is extremely dangerous. Never put your finger on the trigger unless the safety cap is removed and you are ready to shoot a target.



Disassembling or modifying the gun may adversely affect the performance of the gun and be dangerous. It also may Void the warranty and in some areas it might be against the Law.

[Contents]

- 01 WARNING
- 03 CONTENTS
- 03 COMPONENTS
- 04 QUICK INSTALLATION GUIDE
- 04 SAFETY MODE SETTING
- 05 BATTERY INSTALLATION
- 05 SIGHT ADJUSTMENT
- 06 SWIFT SPRING CHANGE
- 06 REMOVE GEAR BOX/HOP-UP CHAMBER
- 07 LOADING THE MAGAZINE
- 07 HOP-UP ADJUSTMENT
- 08 FIRING
- 09 MAINTENANCE/TROUBLESHOOTING
- 11 PARTS LIST
- 13 RECOMMENDED BALL PELLETS



[Components]

[Quick Installation Guide]

Step 1

Push the button and slide forward to connect QD grip and receiver.



Step 2

Insert the magazine until you hear a click sound.



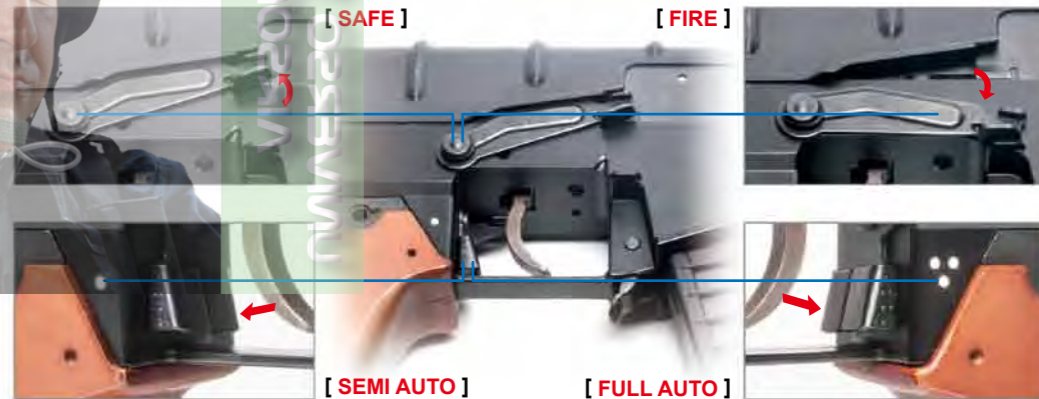
⚠ ATTENTION

• Make sure the vertical slits are always present on the pin connector. If the pin connector has been deformed, it may disable the firing function!

[Safety mode setting]

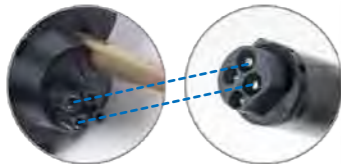
⚠ ATTENTION

• Always make sure that the muzzle is pointing at a safe direction.



[Battery installation]

11.1V 1100mAh Li-MN 15C Battery



- The GGS features a battery power saving module. Power saving mode will activate automatically if there is no operation for 10 minutes. Pull the trigger to wake up the gun.



Turn the barrel band counterclockwise to release the barrel.



Connect the battery into the connector.



Insert the inner barrel and battery into the outer barrel.



Install the outer barrel back to receiver.

[Sight adjustment]

[Front sight adjustment]



Insert the front sight adjustment tool into the front sight block.

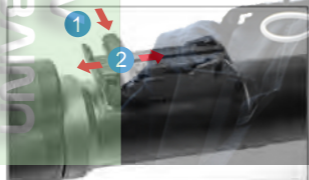


Turn for adjustment.
Clockwise: Lower the front sight.
Counterclockwise:
Raise the front sight.

⚠ ATTENTION

- Do not lose the adjustment tool.

[Rear sight adjustment]



Press the button and slide forward or backward for adjustment.

Status Indication Light

- Powered on - Continuous Blue Light.
- Low battery power - Slowly flashing Red Light.
- Battery power overload - Rapidly flashing Red Light.
- Gear position normal - Continuous Yellow light.
- Gear position abnormal - Rapidly flashing Yellow Light.

- This unit is powered by Lithium Manganese battery.
- Uses a adaptor for the battery charger (G&G Only).
- Specification : 11.1V / 20C
- In addition the power protection module, G&G's power controller also includes a mini blade fuse for better protection.
- Fuse specification : mini blade fuse (25A)
- When the Low Battery Protection is activated, the system will turn off automatically. This is indicated by a flashing Red light.

⚠ ATTENTION

[Swift Spring Change]

- If the gears are defective or improperly placed inside the gearbox, a yellow light will flash rapidly and the power will be disconnected.
- Remove the battery before inspecting the gearbox. Reinstall the battery after completing inspection and correct the problems.



Pull up the bolt cover, then press the bolt cover release button.



Remove the bolt cover.



Use hex wrench to push in the spring guide for about 3mm and turn clockwise.

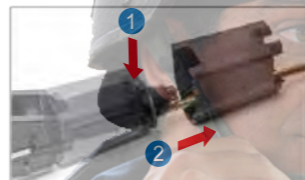


Remove the spring guide and change the spring.

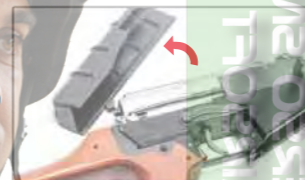
[Remove gear box/ hop-up chamber]

⚠ ATTENTION

- Do not remove the gearbox with battery on.
- Do not install battery before wires are properly connected.
- Spring in front of hop up chamber will cause fast ejection during removal, hold the hop up chamber firmly to avoid accident.



Push the button to unlock handguard and remove it.



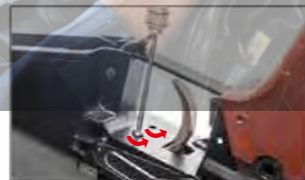
Remove the bolt cover.



Push the hop-up chamber forward until you hear a click sound.



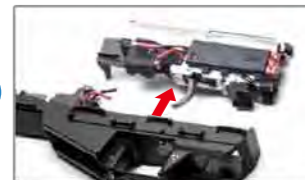
Disconnect wires.



Remove two Hex screws.



Switch fire selector to "Semi-Auto".



Remove the gear box.



Push the button to release the hop-up chamber and inner barrel.

[Loading the magazine]

Steel magazine front & back fastener



Switch on safety.



Push the magazine catch to release the magazine.



1. Open the magazine top plate.
2. Load G&G 5.95mm BB pellets into the magazine.



After the BB pellets have been loaded, close the top plate and turn the winding wheel on the bottom of the magazine to tighten the spring tension. This will allow the BBs to be fed into the hop up chamber via magazine.



Insert the magazine into the gun until it clicks.

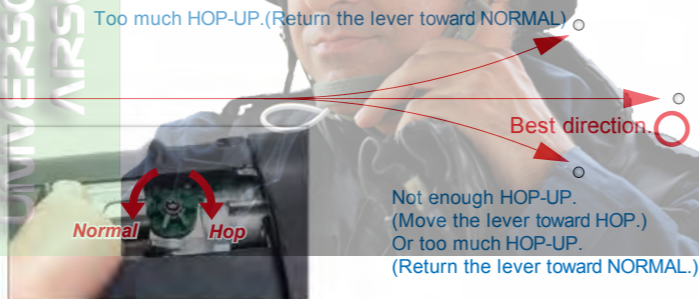
[Hop-up adjustment]



Pull the bolt handle to the rear and reveal the Hop-Up dial.

⚠ ATTENTION

• Never hold the gun sideways as the BB pellets will curve right or left. This is due to the HOP-UP system.



Turn the Hop-Up dial forward to increase hop-up. Turn the Hop-Up dial backward to decrease hop-up. Excessively turning Hop-Up dial can cause jamming the gun, then damage the gearbox.

Too much HOP-UP. (Return the lever toward NORMAL.)

Best direction.

Not enough HOP-UP. (Move the lever toward HOP.) Or too much HOP-UP. (Return the lever toward NORMAL.)

[Firing]

- Features dummy bolt detection module.
- Pull the bolt handle after inserting a new magazine.



Insert the magazine.



Pull the bolt handle.



Safety switched off.



Select semi/auto. Ready for shooting.

[After firing]

⚠ ATTENTION

- If the battery defects during use, storage or charging, remove the defective battery immediately from the gun.
- When not in use, remove the battery for both safety and energy savings.



1. Remove the magazine and fire at a safe direction for for 2-3 rounds to make sure no BB left inside the Hop-Up chamber.
2. Set the selector into safety mode. Make sure that the barrel is empty. Always disconnect the battery and attach the protective cap whenever you do not operate the air gun.

⚠ ATTENTION

- Feature: Magazine detection module. Power will only be supplied to fire one more round before disconnection when magazine is removed, this is to empty the hop up chamber.

Detect switch for magazine

By-pass switch for test mode

⚠ ATTENTION

- Feature: System inspection mode.
- Gearbox inspection unit : The rifle can be operated normally when the switch is flipped up to "Fire Mode". When flipped down, the rifle is in "Inspection Mode". Gear position normal - Constant Yellow Light. Gear position abnormal - Rapidly flashing Yellow Light. For safety reasons, empty the hop up chamber and remove the magazine before flipping to Inspection Mode. After Inspection Mode is set, switch between semi-auto and full-auto to inspect and correct the position of the gears.



To avoid clogging of pellets, make sure that no dirt gets into the chamber. The hop up may take 200 to 300 rounds to remove the excessive silicone oil, this is the normal operation for the gun.

⚠ ATTENTION

Never use CRC-556, WD40 or other corrosive lubricant.

When BB pellets are clogged

• If BB pellets are clogged, remove them and apply a few drops of G&G silicone oil into the chamber from the magazine entrance. Apply G&G silicone oil for 0.5 to 1 sec, to obtain smooth continuous firing.



1. Before you clean the inner barrel, make sure the hop up is turn to normal position.
2. Take a piece of cotton cloth about 1 inch by 0.5 inch and insert one end of the cloth into the hole of the tip of the cleaning rod and wrap it around the tip.
3. Apply a drop of silicone oil or Teflon oil on the cloth and insert the cleaning rod into the inner barrel.
4. Check the cloth and repeat above steps until the cloth can't get any more dirt.



Please use the screwdriver to adjust the screw at bottom of the grip when the gear noise becomes shrilly.

1. Return the hop up dial to its Normal position and insert the cleaning rod from the lead edge of the barrel.
2. To remove clogged BBs, carefully insert the cleaning rod inside the barrel with the flat tip facing down as shown below.



Disclaimer • Adult supervision required for users who are under 18 years of age.
The purchaser and user should conform to all laws governing the ownership of airsoft guns.
• All products in this manual are imitation firearms and are not intended nor represented to be comparable in design, appearance, or function to any actual firearm offered by other manufacturers.

• Accessories pictured are not always included with product.
• Product names are trademarks of G&G, which has no affiliation to, and is not associated, or sponsored by any manufacturer of actual or imitation firearms. Products may vary from those pictured.

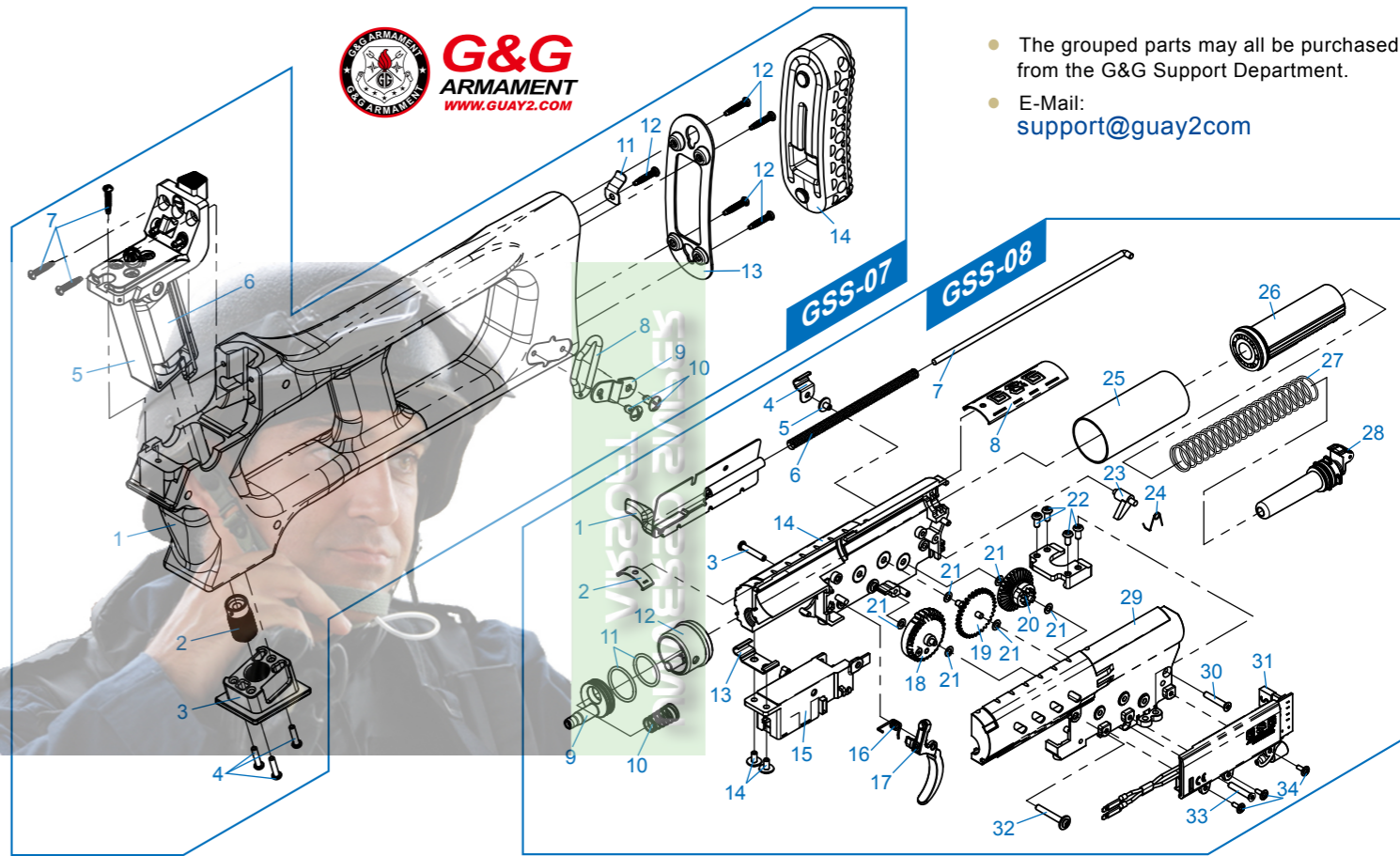
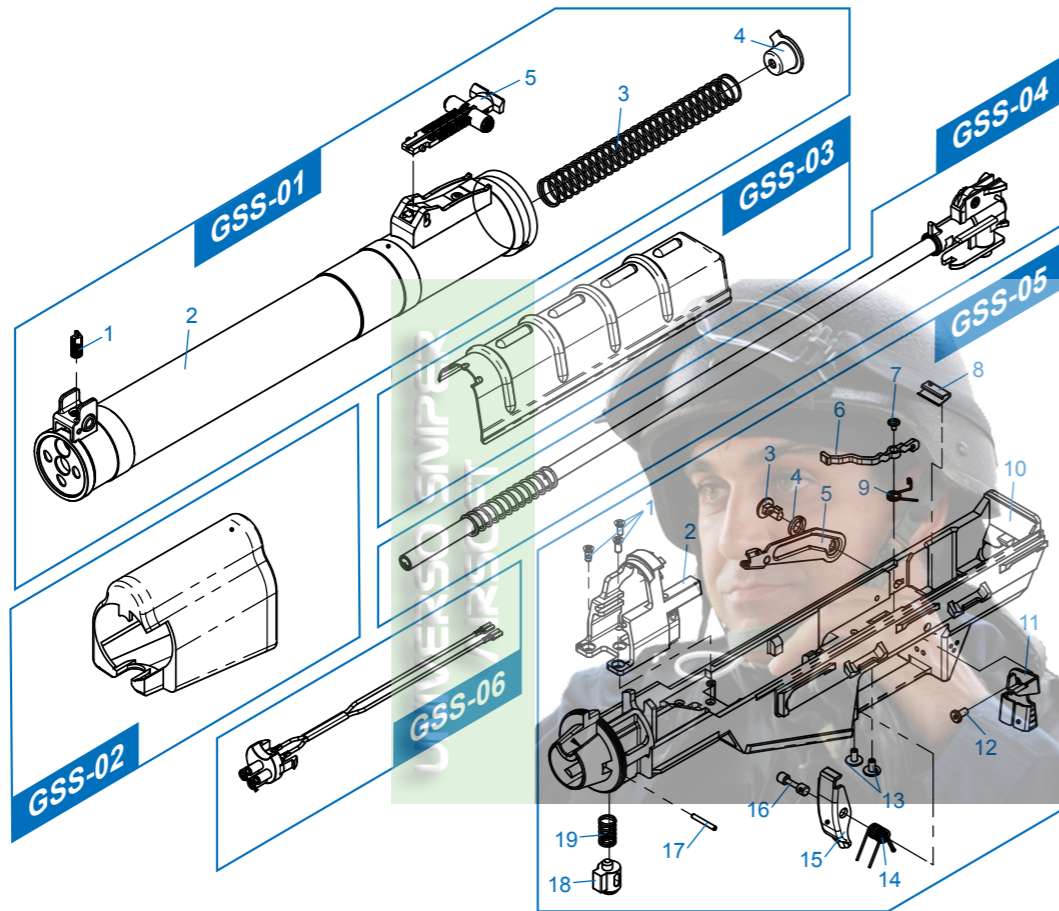
[Trouble shooting]

SYMPTOM	POTENTIAL	CORRECTIVE
No operation at all	Selector lever is set to safety.	Set the selector lever to Semi.
	Battery is not charged.	Charge the battery.
	Battery connector is disconnected.	Attach the connector.
	Battery connectors (+ and -) are reversed.	Connect the connector correctly (check the fuse)
Although motor is revolving, no pellet can be fired	Motor life expired (50,000 to 60,000 rounds) or poor electrical connection.	Replace the dead motor (can be purchased from local dealer or directly G&G). Check and repair the contacts.
	Pellets are clogged inside the magazine.	Insert the charging rod into the magazine and move up and down a few times to remove clogged pellets.
	Pellets are clogged in the chamber.	Remove clogged pellets by using the cleaning rod.
Shooting distance becomes shorter	Faulty gear.	Prurchase the replacement gear from your dealer or G&G and repair.
	Damaged or worn chamber set.	Mount the replacement parts (Purchasing from your dealer or G&G).
	Damaged or worn piston set (O-ring, piston spring).	
	Something is jammed in the inner barrel.	Use the cleaning rod and clean the inner barrel.
	Faulty BB pellets (too small or heavy).	Use the genuine G&G Pellets.
	Shortage of silicone oil.	Drops few drops of silicone oil from upper the chamber.
Too loud operating noise	Gear problem caused by too many blank firing.	Consult your dealer or G&G for overhaul maintenance, part replacement (gear, etc.) or repair.
	Worn or damaged gear.	
	Gear problem caused by too many blank firing.	
Pellets being fallen out from barrel end	Damaged or worn chamber set.	Turn the hop adjustment lever toward Hop.
	No hop setting.	
	Faulty BB Pellets (too small or heavy).	Use the G&G Pellets.
If gun gets wet	Stop operation immediately, disconnect the battery, wipe off water from inside the main body and the battery. After completely dry, carry out trial firing. If the unit is not operational, please contact your local dealer for repair.	



[Parts list]

- GSS - 01** Outer barrel set
- GSS - 02** Handguard
- GSS - 03** Bolt cover
- GSS - 04** Inner barrel
/ Hop-up set
- GSS - 05** Receiver set
- GSS - 06** Wire set
- GSS - 07** Stock/ Grip set
- GSS - 08** Gear box set



- The grouped parts may all be purchased from the G&G Support Department.
- E-Mail: support@guay2.com

GSS

Operating Instructions

FROM A PELLET TO THE GLOBE

BB pellets, one of the smallest and cheapest products in Airsoft. The lightest BBs can be manufactured in 0.12g per pellet. In the world of Airsoft, BB pellets are the most expendable products, yet they are critical elements in determining the accuracy and quality of a replica.

"From the smallest details, quality and professionalism can be found." When James Liao decided to use moldings with fewer cavities, he also decided to control the initial plastic pellets to be as close to 6mm as possible. G&G BBs, therefore do not require rough polishing to reduce the size, but we finely polish our BBs four times to ensure that they are perfectly sphere.

G&G BBs are now distributed worldwide. At G&G, we believe in quality over margins; in service over bargains.



UNIVERSO SMIPER AIRSOFT



- 1 0.20G P.S.B.P. (1kg pack) 2 0.25G P.S.B.P. (1kg pack)
- 3 1KG P.S.B.P. 4 0.20G BIO (1kg pack)
- 5 0.25G BIO BB (1kg pack) 6 0.28G BIO BB (1kg pack)
- 7 0.20G Pink P.S.B.P. (2400 shots)
- 8 0.20G Tracer BB (2400 shots) 9 1000 shots P.S.B.P.
- 10 1000 shots Tracer BB 11 2000 shots BIO BB
- 12 0.30G P.S.B.P. (2000 shots)
- 13 3000 shots P.S.B.P. 14 0.23G BIO BB (1kg pack)

