



CONTENTS

WARNING	P02.03
ABOUT SCAR	P04.05
COMPONENTS	P06
SELECTOR AND SAFETY SETTING	P07
INSTALLING BATTERY	P08.09
SETTING THE MAGAZINE	P10
SIGHT ADJUSTMENT	P11
MOVABLE PARTS	P12.13
FIRING	P14.15
HOP-UP ADJUSTMENT	P16
SETTING THE FOWARD GRIP	P17
PARTS LIST	P18.19
MAINTENANCE	P20
TROUBLE CLINIC	P21

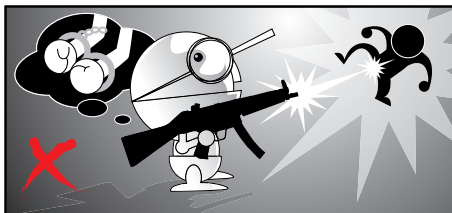


Operation of this air gun for competition use is restricted to users of 18 years old or more. Careless shooting and wrong operation are dangerous, causing eye damage or other injury.

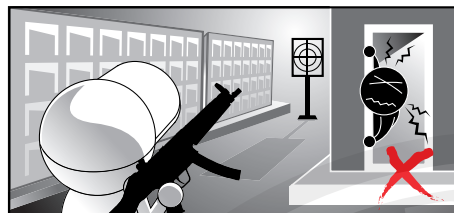


Adult supervision required. Always wear safety goggles when shooting. Misuse or careless use may cause injury. May be dangerous up to 50 meters. Read all instructions before using the airsoft gun. The purchaser and user should conform to all laws governing use and ownership of airsoft guns.

WARNING



You may be liable for damaging public or personal property or for injuring a person or an animal even if you only meant to shoot as a "practical joke." Always observe good manners and enjoy fun sport shooting.



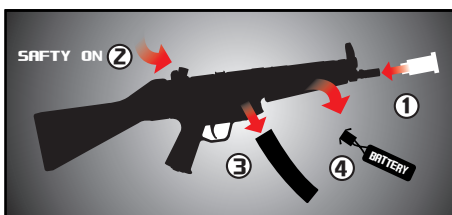
Select a safe place for operating the air gun, avoid places where people and cars are around.



Looking into the muzzle is extremely dangerous regardless of BBs having been loaded or not. If you get hit in the eye by a BB pellet, you may in worst case, lose your eyesight.

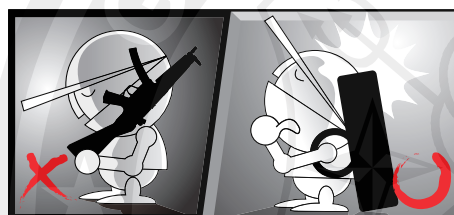


Activating the trigger carelessly is extremely dangerous. Never put your finger on the trigger unless the safety cap is removed and you are ready to shoot a target.

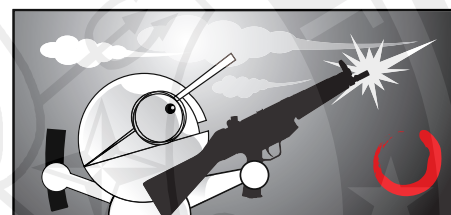


Safety procedures:

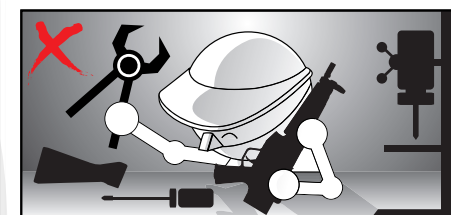
1. Attach the safety cap to the muzzle.
2. Set the selector lever to the safety position.
3. Remove the magazine.
4. Remove the battery.



When you carry the air gun, attach the safety cap, set the selector lever to the safety position and always put the air gun in a case or bag.



There may be cases where some BBs remain in the gun after the magazine has been removed. After removal of the magazine, direct the muzzle towards a safe direction and pull the trigger to confirm that there are no BBs remain in the gun, then attach the safety cap.



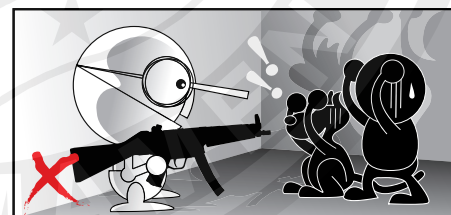
Disassembling or modifying the gun may adversely affect the performance and make it dangerous. "It may be against the Law."



When shooting the air guns for target practice or in a game situation, you and all participants must wear safety goggles or other eye protective gear. Also, pay attention to ricochets. It is very important to pay attention to third parties other than the participants.



Always attach the safety cap to the muzzle, remove the battery and store the air gun in a case or bag and at a place that is out of reach by children.



Never direct the muzzle towards a person, animal or in any direction. That may cause harm or damage to the third party.



Make sure to put the barrel and safety cap on the muzzle, except when you are shooting. Do this to prevent accident, discharge of BBs and also for dust protection purpose. Never pull the trigger while the barrel and the safety cap is attached.

WARNING

ABOUT SCAR

On October 15th 2003, the US Special Operations Command (US SOCOM) issued a SOF Combat Assault Rifles (SCAR) project. The key idea of SCAR project is that it will open a new kind of combat rifle to provide SOF with wide variety of options.

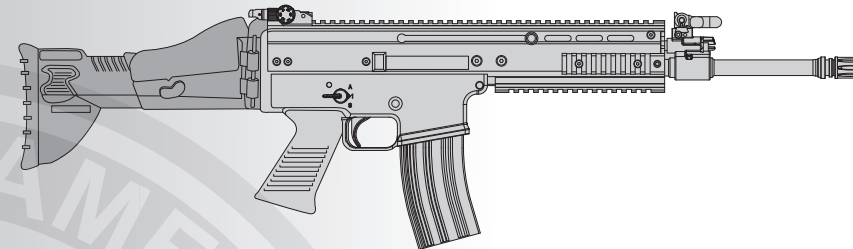
Many well-known company join this case, FN · Robinson Arms · COBB · Knights · Colt · HK. Late in 2004, US SOCOM announced, that the winner for the initial SCAR contracts is FN USA.

The most important character of the FN SCAR system is offer variety of options for different combat situation. The SCAR has two kinds, SCAR-Light and SCAR-Heavy. Both of the two kinds SCAR are available in three version, Standard, Close Quarters Combat, and Sniper Variant. (Different version fit different QD barrel)

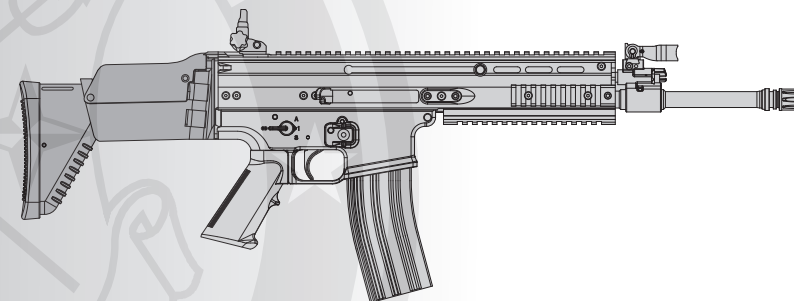
And the SCAR will be fitted with removable · adjustable · iron sights with folding diopter-type rear sight on the receiver rail. Any additional type of sighting equipment can be installed using M1913 Pica Tinny rail on the top receiver, and handguard.

Conclusion, the advantages of SCAR is strong suitability · model weapon system · and reliability. In the future, we can see it will become the new arms for the US SOF.

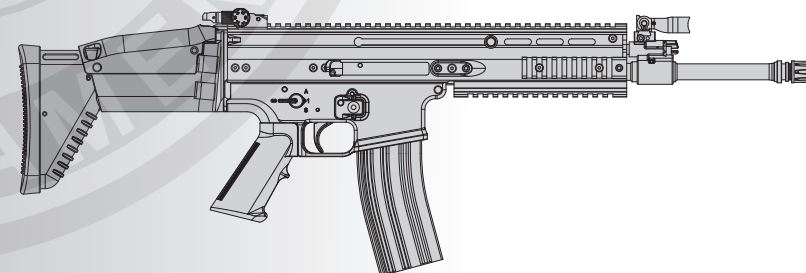
EVOLVEMENT OF SCAR



PROTOTYPE



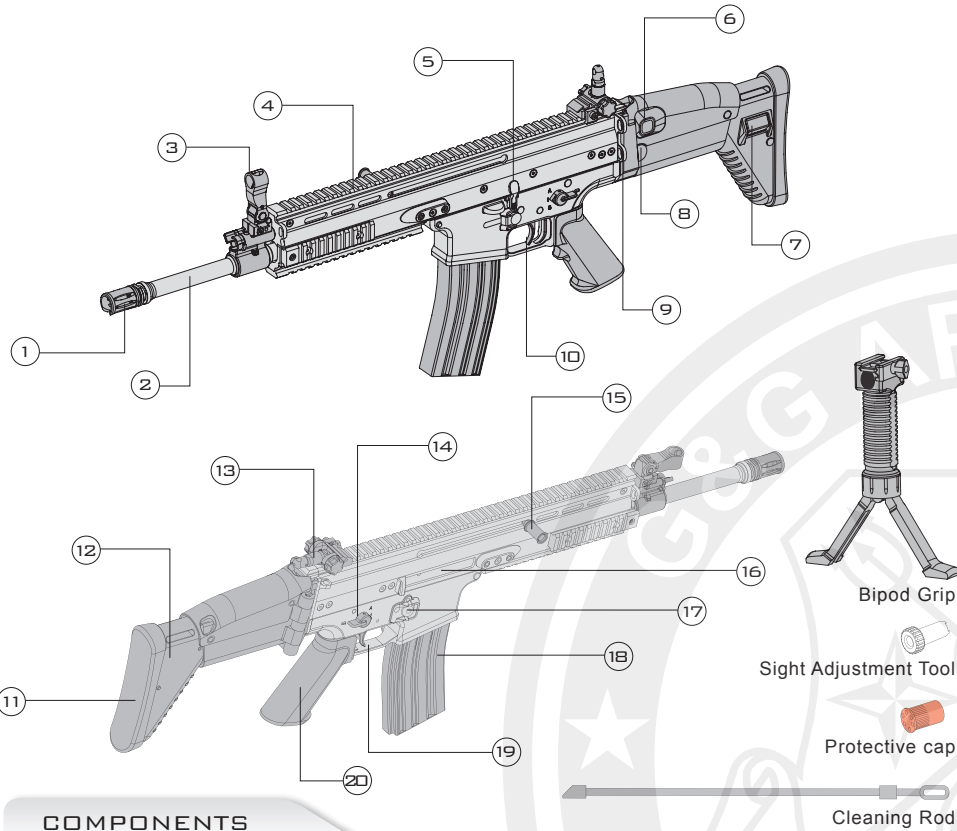
A TRANSITIONAL PERIOD



G-SCAR-L

ABOUT SCAR

ABOUT SCAR



COMPONENTS

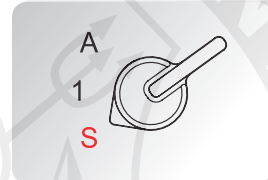
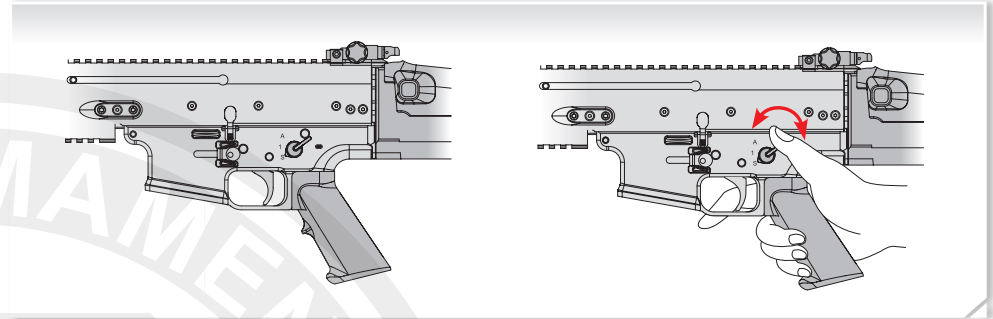
COMPONENTS

NO	PARTS	NO	PARTS
1	Flash Suppressor	11	Stock cover
2	Outer Barrel	12	Butt Stock
3	Folding Front Sight	13	Folding Rear Sight
4	Rail System	14	Selector
5	Magazine Release	15	Cocking Lever
6	Cheek Piece Release Button	16	Bolt
7	Stock Plate Lock Pin	17	Magazine Catch Button
8	Stock Lock Button	18	Magazine
9	Rear Sight Hook(Left Side)	19	Tigger Guard
10	Trigger	20	Grip

SELECTOR AND SAFETY SETTING

Always set the safety lever to safety mode setting until immediately before firing

CAUTION | Set the selector in correct position; otherwise malfunction may occur.



SAFETY SETTING MODE

THE TRIGGER CANNOT BE PULLED.

When you are not firing the gun or during storage. Always set the selector to the Safe position and attach the protective cap on the muzzle.



SEMI MODE

SINGLE SHOT

The gun will fire one shot each time as pull the trigger.



FULLY AUTOMATIC MODE

AUTOMATIC FIRING

The gun will fire automatically while the trigger remains pulled.

CAUTION |

- * Never operate the Selector while pulled the trigger. Otherwise, malfunctions may occur.
- * Pulling the trigger with the Selector being set at safe mode may damage the air gun.

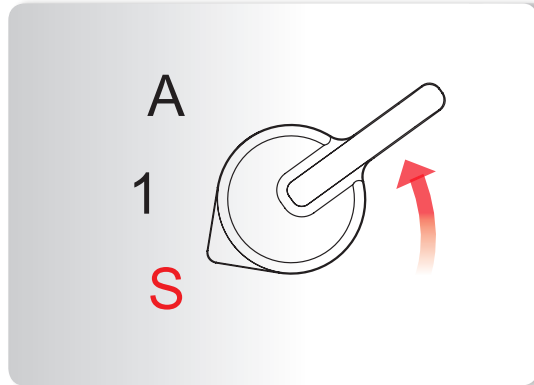
SELECTOR AND SAFETY SETTING

INSTALLING BATTERY

Follow the below steps for charging the battery

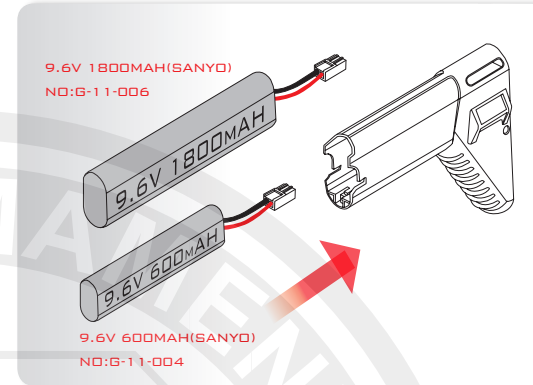
ONE POINT ADVISE

The conventional mini battery can also be used by the same wiring method



STEP 1

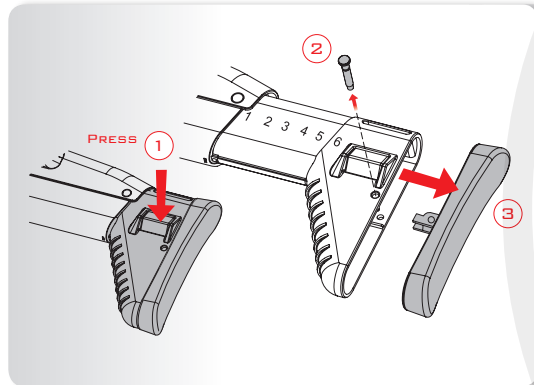
Direct the muzzle towards a safe direction and set the selector to the Safety position. The magazine should be removed before changing the battery.



STEP 4

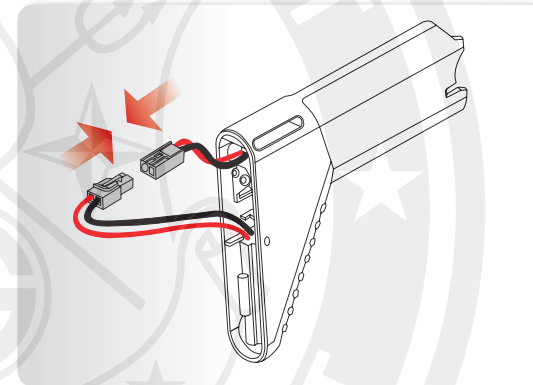
Insert the battery into butt stock.

- ⚠ Please use only 9.6V battery. If you use the different voltage battery, it may damage the Gear box and motor.
- ⚠ Use only the G&G battery purchased from your local dealer.



STEP 2

1. Press the Stock Release Button and pulled the Stock to Max level.
2. Take off the pin.
3. Take off the stock cover.



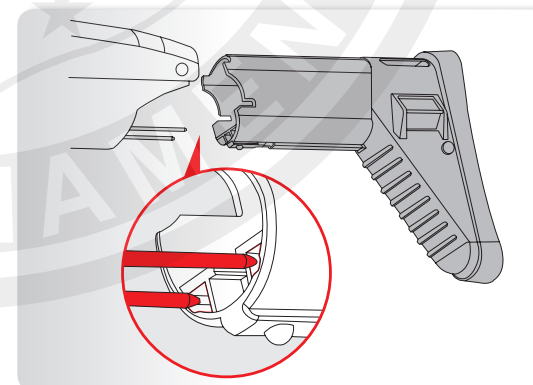
STEP 5

Connect the connector.



STEP 3

Use the pin pressing the Stock Release Button to remove the stock.



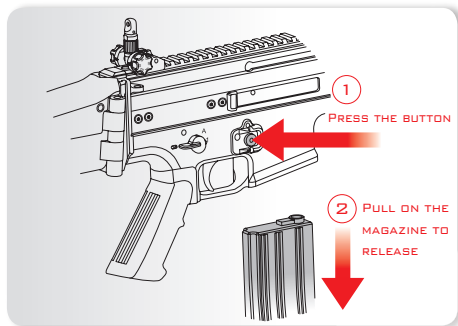
STEP 6

Make sure the two power connectors go into holes of the butt stock.

SETTING THE MAGAZINE

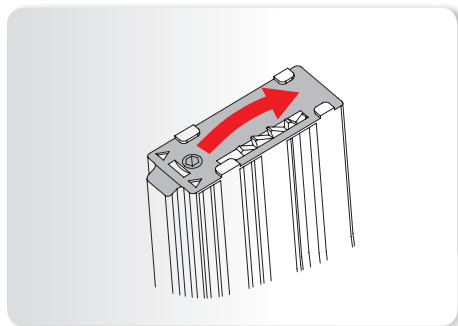
Make sure to set the magazine upwards. It is securely installed when you heard a click sound.

CAUTION | Confirm that the safety lever is set to the Safety position and do not place your finger on the trigger.



STEP 1

1. Press the magazine release.
2. Remove the magazine.

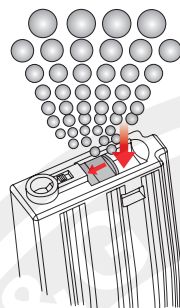


STEP 3

After the BB's pellet had be loaded. Close cover and turn the gear on the bottom until the sound changes.

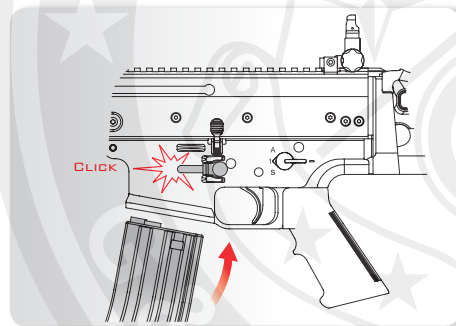
CAUTION |

* Always use the G&G BB pellet or diameter 5.94~5.96mm BBs for this air gun. We shall not be held responsible for any damage or accidents arising from the use of pellets supplied by other manufacturers.



STEP 2

Open the cover of magazine and load G&G 5.95mm BB pellets into the magazine. The magazine is capable of holding approximately 450 pellet.

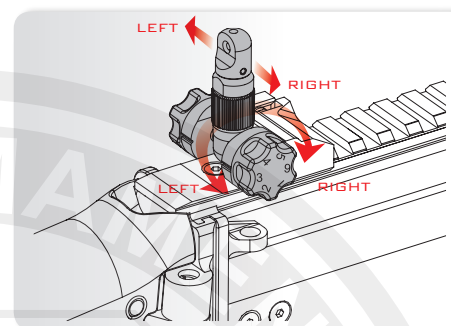


STEP 4

Insert the Magazine into the body, when you heard a click sound.

SIGHT ADJUSTMENT

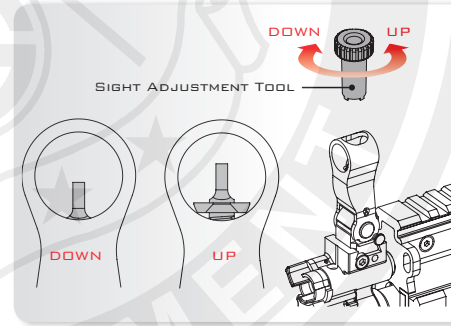
CAUTION | Make sure not to loose the adjustment tool.



STEP 1

WINDAGE ADJUSTMENT KNOB

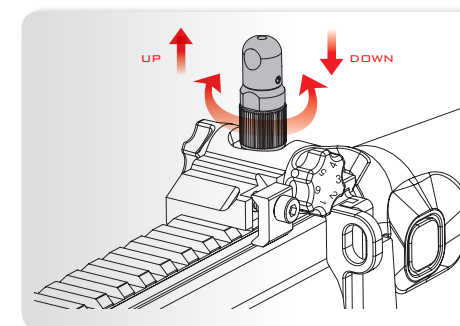
For rear sight left-right adjustment. Turning clockwise: Raise the pellet hitting point. Turning counterclockwise: Lower the pellet hitting point.



STEP 3

FRONT SIGHT ADJUSTMENT

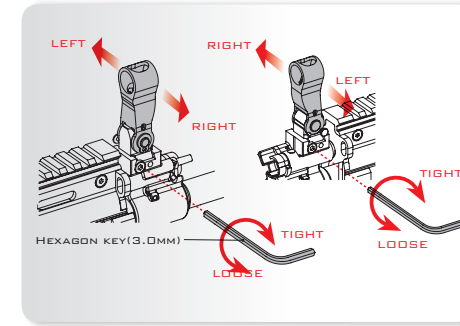
For front sight sight up-down adjustment. Turning clockwise: Raises the pellet hitting point. pellet hitting point. Turning counterclockwise: Lower the pellet hitting point.



STEP 2

ELEVATION ADJUSTMENT KNOB

For rear sight up-down adjustment. Turning clockwise: Raise the pellet hitting point. Turning counterclockwise: Lower the pellet hitting point.



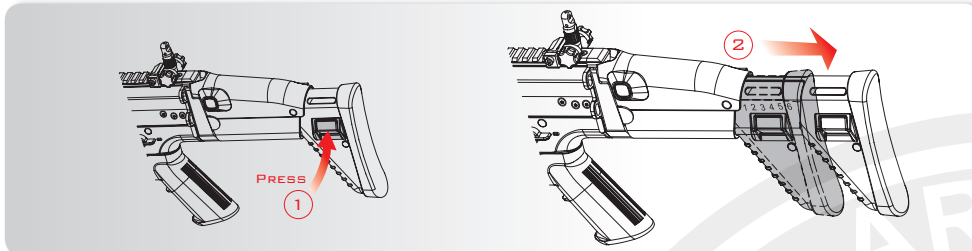
STEP 4

FRONT SIGHT ADJUSTMENT

To move the sight use the Hexgon key to loosen the adjustment screw.

MOVABLE PARTS

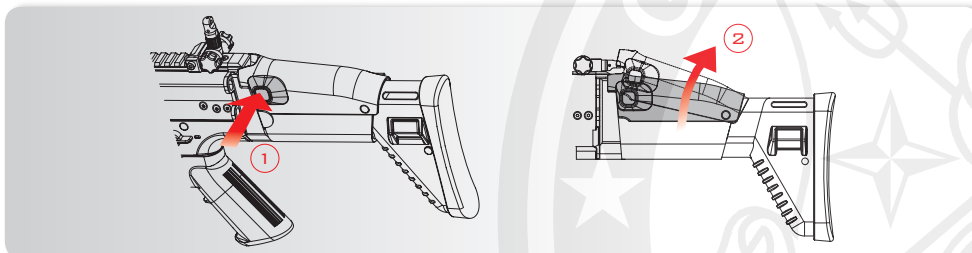
When extending the stock, be aware of the moving part.



STEP 1

LENGTHEN THE STOCK

1. Press the Stock Release Button to unlock.
2. Pull the Stock to the desired position(6 positions).



STEP 2

CHEEK PIECE ADJUSTMENT SET

1. Push the Cheek Piece Release Button to unlock.
2. Adjust the position of Cheek Piece to the desired position(3 positions).

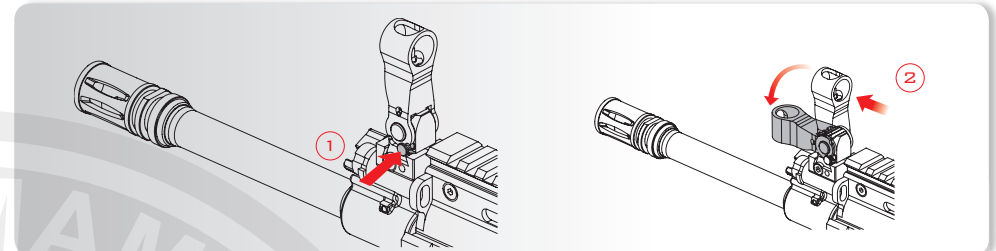


STEP 3

FOLDING BUTT STOCK SET

1. Push the Stock Lock Button to unlock.
2. Turn the Folding Stock to be latched on the hook.

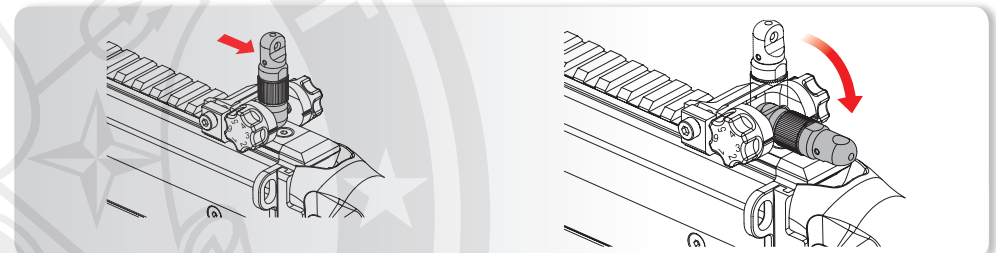
MOVABLE PARTS



STEP 4

THE FOLDING FRONT SIGHT SET

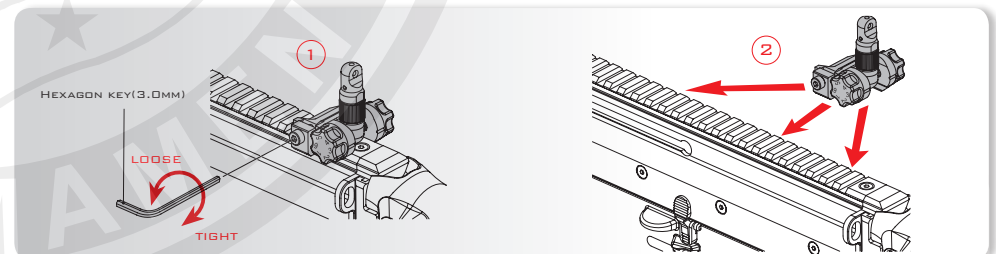
1. Push the front sight folding button.
2. Press against the folding front sight.



STEP 5

THE FOLDING REAR SIGHT SET

1. Press against the folding rear sight.

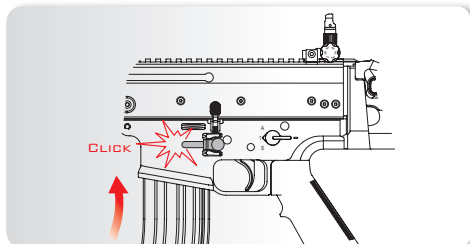


STEP 6

RELOCATE REAR SIGHT

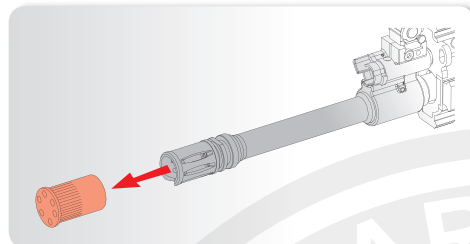
1. To remove the rear sight, unscrew the screw on the side.
2. Set the rear sight to the desired position, reinstall the screw to secure the rear sight.

FIRING



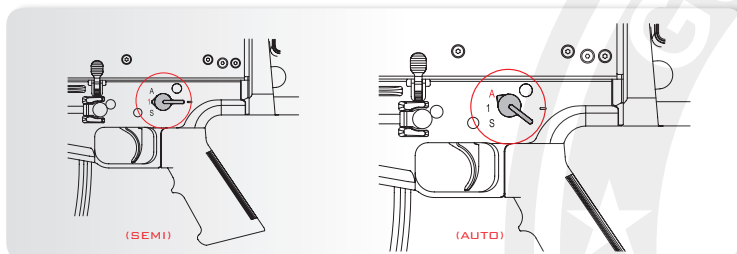
STEP 1

Make sure to install the magazine upwards and into the body. It had been installed properly when you heard a click sound.



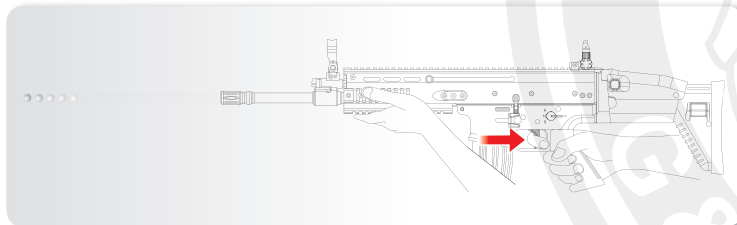
STEP 2

Remove the protective cap only when you are ready for firing the gun.



Set the Selector Lever to Semi or Full Auto.

STEP 3



Pull the trigger.

STEP 4

- * Activating the trigger carelessly is extremely dangerous. Never place your finger on the trigger unless the protective cap is removed and you are ready to shoot a target.
- * A blank firing may occur when triggered, this is a normal operation of the gun.

CAUTION

* There are possible cases that no firing occurs after pulling the trigger in the semi auto mode. In this case, do not pull the trigger furiously. Fire 5 to 6 shots in the full auto mode and then return to the semi auto operation.

FIRING

1. AFTER OPERATION

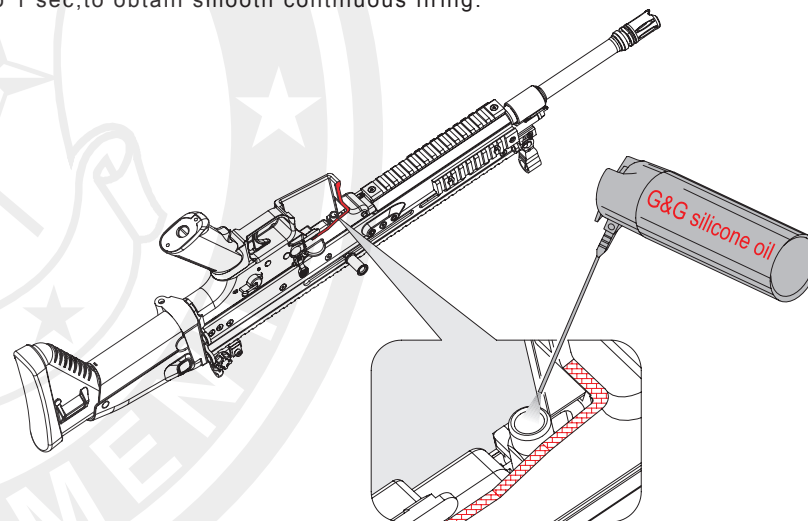
- * Remove the magazine and dry fire the gun in the semi auto mode directing the muzzle to a safe direction. Set the selector to the safe position.
- * Always disconnect the battery and attach the protective cap whenever you do not operate the air gun.

2. CAUTIONS ON MOTOR AND BATTERY

- * Charge the battery if the firing cycle becomes slow.
- * Give the air gun a rest for 5 to 10 minutes after firing about 500 rounds, in order to ensure long service lives of the motor and battery.

3. WHEN BULLETS ARE CLOGGED

- * If bullets are clogged, remove the BB and apply a few drops of G&G silicone oil into the chamber from the magazine entrance. Apply G&G silicone oil for 0.5 to 1 sec, to obtain smooth continuous firing.

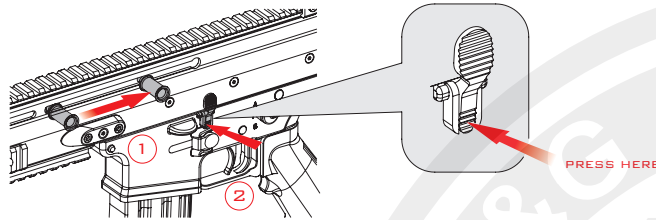


CAUTION

- * Make sure no dirt gets into the chamber to avoid clogging of pellets.
- * Hop-up may be unstable for 200 to 300 rounds after using silicone oil, this is the normal operation of the gun.
- * Never use CRC-556, WD40 or other corrosive lubricant.

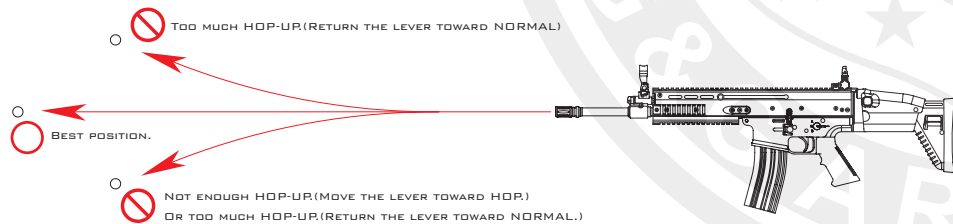
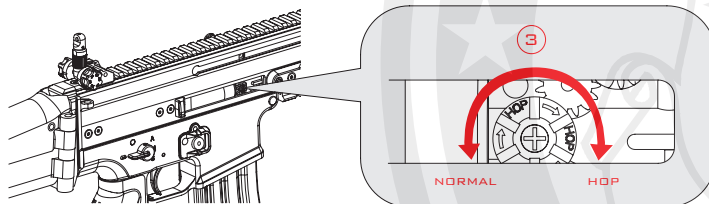
HOP-UP ADJUSTMENT

1. Pulling the Charging Handle backward.
2. Push the Bolt Catch to lower positions. Charging Handle can be catch rearward.



3. Turning hop-up dial for adjusting the ideal flight pattern of the BB pellet. The hop-up dial can only be turned for a certain amount. Turning it to much will damage the unit.

* Be careful not to catch your fingers in the dummy bolt.

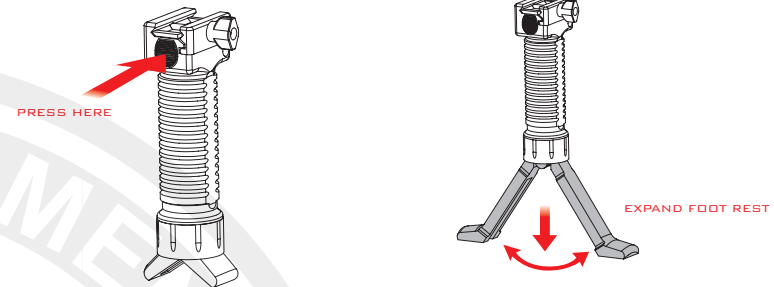


CAUTION

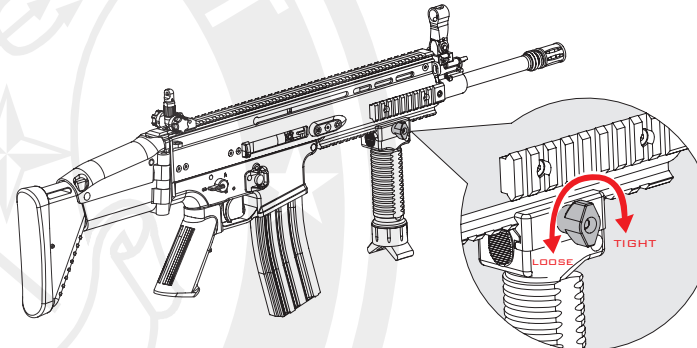
* Never hold the gun sideways as the BB pellets will curve right or left. This is due to the HOP-UP system.

SETTING THE BIPOD GRIP

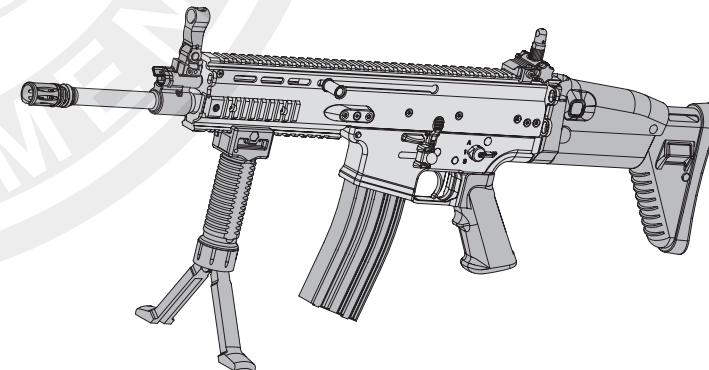
1. Press the button to expand Foot rest.

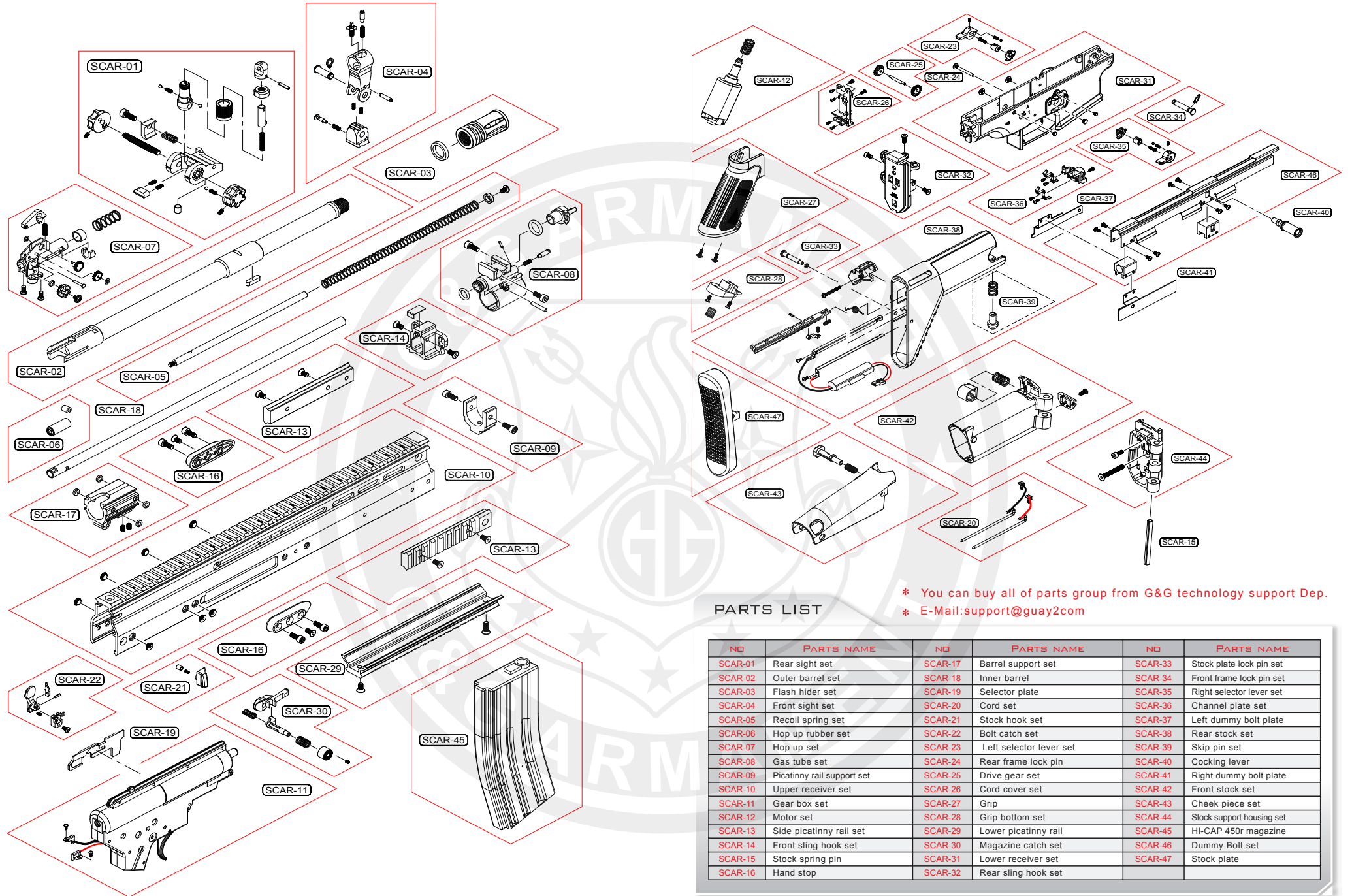


2. Connect the bipod grip on the rail system.



3. Completes the assembly.





PARTS LIST

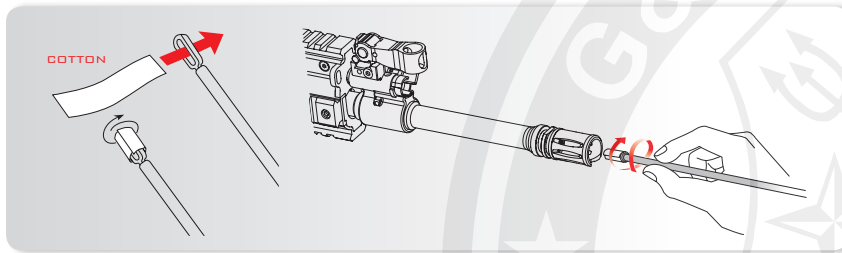
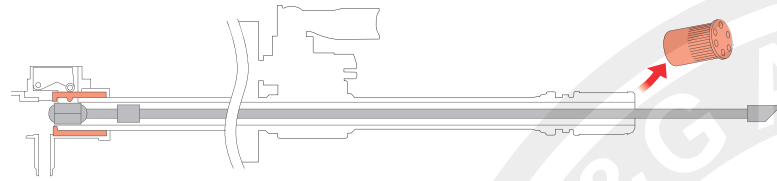
* You can buy all of parts group from G&G technology support Dep.
* E-Mail:support@guay2com

NO	PARTS NAME	NO	PARTS NAME	NO	PARTS NAME
SCAR-01	Rear sight set	SCAR-17	Barrel support set	SCAR-33	Stock plate lock pin set
SCAR-02	Outer barrel set	SCAR-18	Inner barrel	SCAR-34	Front frame lock pin set
SCAR-03	Flash hider set	SCAR-19	Selector plate	SCAR-35	Right selector lever set
SCAR-04	Front sight set	SCAR-20	Cord set	SCAR-36	Channel plate set
SCAR-05	Recoil spring set	SCAR-21	Stock hook set	SCAR-37	Left dummy bolt plate
SCAR-06	Hop up rubber set	SCAR-22	Bolt catch set	SCAR-38	Rear stock set
SCAR-07	Hop up set	SCAR-23	Left selector lever set	SCAR-39	Skip pin set
SCAR-08	Gas tube set	SCAR-24	Rear frame lock pin	SCAR-40	Cocking lever
SCAR-09	Picatinny rail support set	SCAR-25	Drive gear set	SCAR-41	Right dummy bolt plate
SCAR-10	Upper receiver set	SCAR-26	Cord cover set	SCAR-42	Front stock set
SCAR-11	Gear box set	SCAR-27	Grip	SCAR-43	Cheek piece set
SCAR-12	Motor set	SCAR-28	Grip bottom set	SCAR-44	Stock support housing set
SCAR-13	Side picatinny rail set	SCAR-29	Lower picatinny rail	SCAR-45	HI-CAP 450r magazine
SCAR-14	Front sling hook set	SCAR-30	Magazine catch set	SCAR-46	Dummy Bolt set
SCAR-15	Stock spring pin	SCAR-31	Lower receiver set	SCAR-47	Stock plate
SCAR-16	Hand stop	SCAR-32	Rear sling hook set		

MAINTENANCE

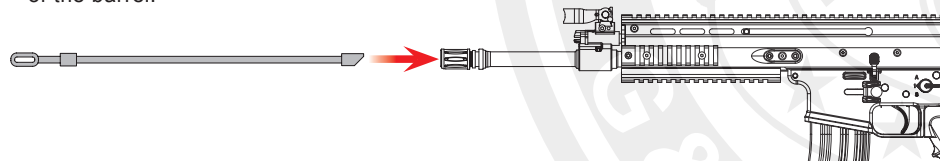
MAINTENANCE WHEN BULLET SPEED BECOMES LOW

1. Drop a few drops of silicone oil or teflon oil from the pellet entrance. After insert BB pellets into the magazine and fire pellets around to 200 or 300 pellets.
2. To complete the cleaning, use the cleaning rod (with cotton), to remove excess oil.

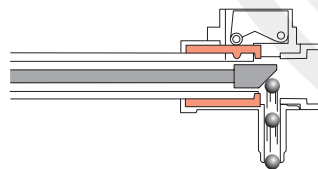


REMOVING CLOGGED BULLETS

1. Return the hop up dial to the Normal position and insert the cleaning rod from the lead edge of the barrel.



2. To remove clogged BB's, carefully insert the cleaning rod inside the barrel with the flat tip facing down as shown below.



CAUTION

* Do not jam the cleaning rod into the barrel by force. Should the BB's remain inside the barrel after following the instruction above, with the protection cap over the barrel, point the gun to a safe direction, and discharge any loosened BB's in semi-automatic mode.

TROUBLE CLINIC

SYMPTOM	POTENTIAL	CORRECTIVE
No operation at all	Selector lever is set to safety.	Set the selector lever to Semi or Full Auto.
	Battery is not charged.	Change the battery.
	Battery connector is disconnected.	Connect the connector.
	The ⊕ and ⊖ of battery connector is reverse.	Connect the connector correctly (check the fause).
	Expired motor life (50,000 to 60,000 rounds) or poor electrical connection.	Replace the motor (purchasing from your dealer or us) or check and repair the contacts.
Although motor is revolving, no pellet can be fired	Pellets are clogged inside the magazine.	Insert the charging rod into the magazine and move up and down a few times to remove clogged pellets.
	Pellets are clogged in the chamber.	Remove clogged pellets using the cleaning rod (See page 20).
	Faulty gear.	Purchase the replacement gear from your dealer or G&G and repair.
Impossible full-auto operation (automatic firing)	Insufficient battery power.	Charge the battery.
	Faulty pellet feed of magazine.	Repair clogging of the magazine.
	Poor electrical connection.	Consult your dealer or us for overhaul maintenance or repair.
Shooting distance becomes shorter	Damaged or worn chamber set.	Replace the replacement parts. (Purchasing from your dealer or G&G)
	Damaged or worn piston set (O-ring, piston spring)	
	Something is jammed in the inner barrel	Use the cleaning rod and clean the inner barrel.
	Faulty BB pellets (too small or heavy)	Use the genuine G&G Pellets.
Too loud operating noise	Shortage of silicone oil	Drop a few drops of silicone oil from the upper chamber.
	Gear problem caused by too many blank firing	Consult your dealer or G&G for overhaul maintenance, part replacement (gear, etc.) or repair.
	Worn or damaged gear	
Pellets being blown out from barrel end	Gear problem caused by too many blank firing	
	Damaged or worn chamber set.	Turn the hop adjustment lever toward Hop.
	No hop setting.	Use the G&G Pellets.
If gun gets wet	Faulty BB Pellets (too small).	
	Stop operation immediately, disconnect the battery, wipe off water from inside the main body and the battery. After completely dry, carry out trial firing. If the unit is not operational, please contact your local dealer for repair.	

WHEN HOPPING UP IS IMPROPER

SYMPTOM	POTENTIAL	CORRECTIVE
Pellets flying upwards	Too much hop setting	Gradually return adjustment lever towards Normal.
	Too much hop setting	Gradually return adjustment lever towards Normal.
Short flying distance of pellets (less hopping up effect)	Hop packing contaminated by oil or dirt	Fire pellets equivalent to 4 to 5 magazine or clean the chamber using cleaning rod.
	Dirt inside a barrel	
	Worn or damaged hop packing.	Purchase the replacement part at your dealer or from G&G and replace it.
Cannot adjust	Damaged adjustment lever or other parts	Purchase the replacement part at your dealer or from G&G and replace it.
	Too much hop setting	Gradually return adjustment lever towards Normal.
Frequent pellet clogging	Improper or too large sized BB pellets.	Use the BB pellet supplied by G&G Armament.
	Dirty hop packing	Clean using the cleaning rod or consult your dealer or G&G for repair.



G&G ARMAMENT
AIRSOFT GUNS & ACCESSORIES

MANUFACTURED BY G&G ARMAMENT

Address:

11F-3,NO.27,Lane 169,Kangning St,Shijr City,Taipei County 221,TAIWAN

TEL:

886-2-2692-2000

FAX:

886-2-2692-4000

Website:

<http://www.guay2.com>

E-Mail:

Sales Department : b2b@guay2.com

Technology support Department : support@guay2.com

DISCLAIMER

- * Accessories pictured are not always included with product.
- * Adult supervision required for users under 18 years of age.
- * The purchaser and user should conform to all laws governing and ownership of airsoft guns.
- * All products in this catalog are imitation firearms and are not intended nor represented to be comparable in design,appearance,or function to any actual firearm offered by other manufacturers.
- * Product names are trademarks of G&G,which has no affiliation to,and is not associated,or sponsored by any manufacturer of actual or imitation firearms.Products may vary form those pictured.

DEALER

Please consult your dealer or G&G for overhaul maintenance and technical guidance.

MEMO

PDF CREADO POR SNIPER, MATADORES AIRSOFT CLUB

www.matadoresairsoft.com