

Users Restricted to  
18 Years of age or older




**M16 SUITE**

**HANDLING CAUTIONS & INSTRUCTION MANUAL**

**M4A1 CARBINE**





OPERATION OF THIS AIR GUN FOR COMPETITION USE IS RESTRICTED TO USERS OF 18 YEARS OF AGE OR OLDER. SINCE PLASTIC BB BULLETS REACH 50 TO 60 M, CARELESS SHOOTING MAY CAUSE EYE DAMAGE OR OTHER INJURIES. ALWAYS READ THROUGH THIS HANDLING CAUTIONS AND INSTRUCTION MANUAL CAREFULLY BEFORE OPERATION. OPERATE THE AIR GUN WITH FULL RECOGNITION OF WARNINGS AND CAUTIONS.

協和製作所  
Product of Autumn Star Int'l Ltd

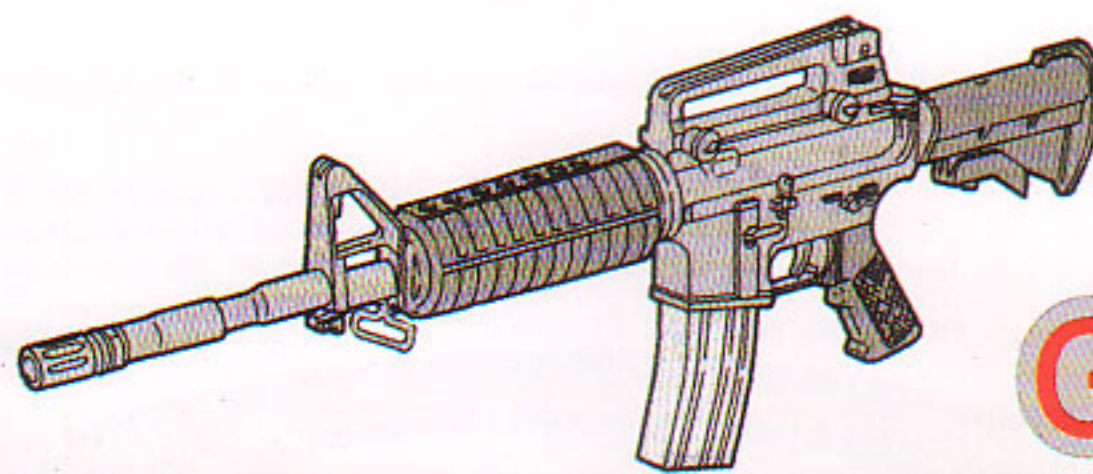
**ALUMINUM DIE CASTING**

**AUTOMATIC ELECTRIC GUN SERIES**

**GP-web.com**



# M4A1 CARBINE



GP-web.com



## WARNING HANDLING CAUTIONS AND INSTRUCTION MANUAL

Always read through this manual before operation.

This sport gun is developed for enjoying sport shooting through correct sport shooting operation. You can experience unique feel of the air gun, which is a most suitable sport goods to improve your shooting sense, if you recognize its features and operational warnings. As the air gun has the capacity to shoot BB bullets by 50 to 60 meters, careless shooting and wrong operation are dangerous, causing eye damage or other injury. Make sure to read through warnings stipulated below and observe rules and manners for pleasant sport shooting.

Operation of this air gun for competition use is restricted to users of 18 years old or more. Careless shooting and wrong operation are dangerous, causing eye damage or other injury.

**WARNING** Always wear eye protective gear.



When shooting the air gun for a target or game, you and all participants must wear goggles or other eye protective gear, also paying attention to ricochets. (Pay sufficient attention also to third personnel other than participants.)

**WARNING** Never shoot the air gun towards a person or animal.



Never aim or shoot a person or animal as the target. Always attach the protective plug to the muzzle, except when you are ready to shoot a target.

**WARNING** You may be punished if you are shooting for a practical joke.



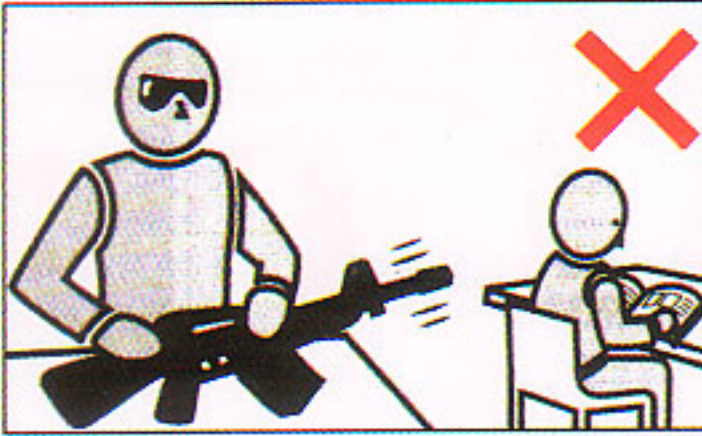
You may be punished if you damage public or personal properties or injure a person or animal even if you are shooting for a practical joke. Always observe manners and enjoy healthy sport shooting.

**WARNING** Never look into the gun muzzle.



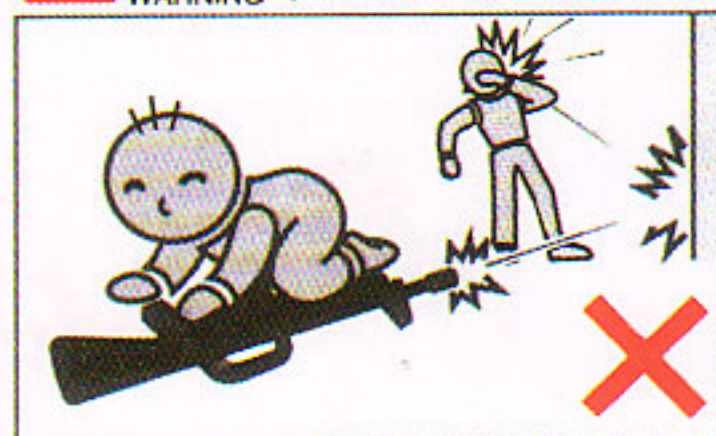
Looking into the muzzle is extremely dangerous, regardless of with or without bullets being installed. If a BB bullet hits your eye, you may, in the worst case, lose your sight.

**WARNING** Always direct the muzzle towards a safe direction.



Never direct the muzzle towards a person, animal or other dangerous directions. Always attach the protective plug, except when you are ready to shoot a target.

**WARNING** Store the air gun at places out of reach by children.



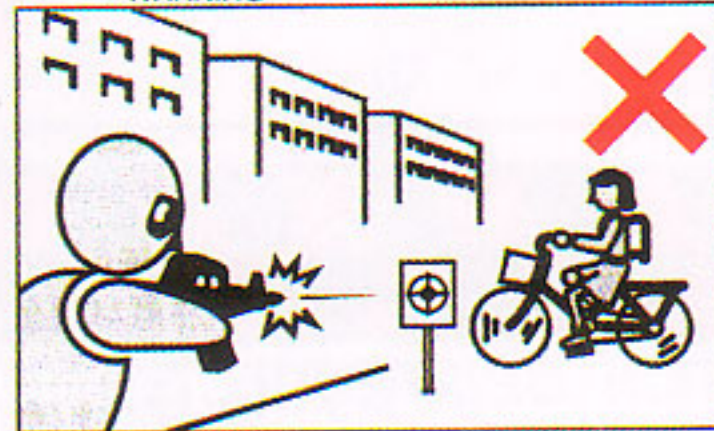
Always attach the protective plug to the muzzle, remove the battery and store the air gun in a case or bag and at a place out of reach by children so that they will not be injured during mischievous play.

**WARNING** Avoid pulling the trigger carelessly.



Activating the trigger carelessly is extremely dangerous. Never put your finger onto the trigger unless the protective plug is removed and you are ready to shoot a target.

**WARNING** Never shoot the air gun at places where people and cars pass cross.



Select a safe place for operating the air gun, avoiding places where people and cars pass cross or third persons are around.

**WARNING** Always set the selector lever to the Safety position.



① Set the selector lever to the Safety position. ② Remove the magazine. ③ Remove the battery from the air gun.

**WARNING** Never disassemble or modify the air gun.



This air gun is manufactured under consideration of appropriate performance and operability. Disassembling or modifying the gun may generate danger or adversely affect the performance. So, avoid disassembling or modifying the air gun.

**WARNING** Always put the gun in a case or bag when you are carrying it.



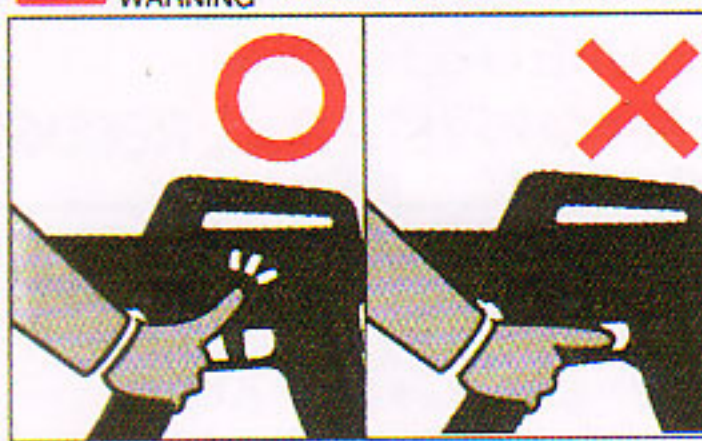
When you carry the air gun, attach the protective plug, set the selector lever to the Safety position and put it in a case or bag.

**WARNING** BB bullets may be shot out even if the magazine is removed.



There are cases that bullets remain in the gun after the magazine is disconnected. Pulling the trigger carelessly is extremely dangerous. After removal of the magazine, direct the muzzle towards a safe direction and pull the trigger to confirm that no bullets remain in the gun. Then, attach the protective plug to the muzzle.

**WARNING** Release put away your fingers from the trigger, except when you are ready to shoot a target.



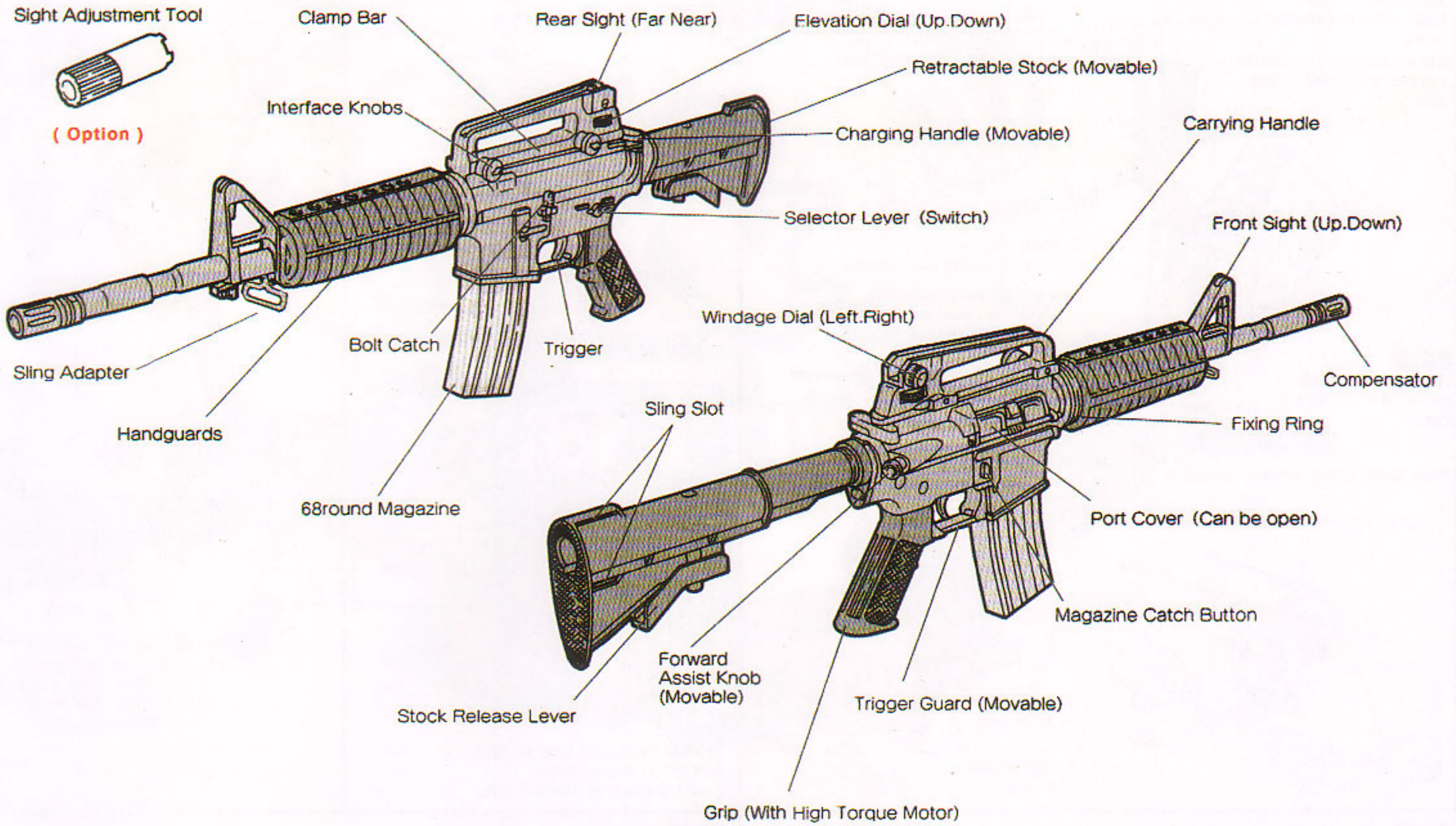
Never put your fingers onto the trigger except when you are shooting a target. Maintaining your fingers on the trigger may cause sudden discharge for some reasons, which is dangerous.





**Component Names** (For details, see the name given for each component.)

**M4A1 CARBINE**



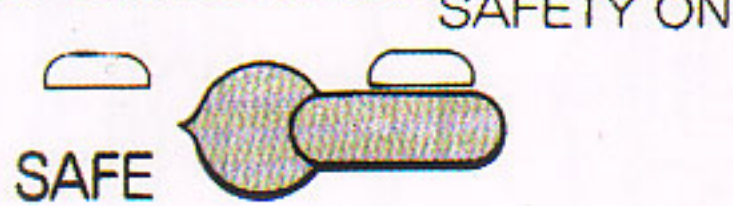
**1 Selector Lever and Safety Setting**

(Always set the safety lever to SAFE until immediately before firing.)

**CAUTION** Set the selector lever correctly in position; otherwise, malfunction may occur.

**SAFETY Setting**

The trigger cannot be pulled.



When you are not firing the gun or during storage, always set the lever to the **Safe** position and attach the protective cap.

**SEMI AUTOMATIC (Single Shot)**

SEMI

SAFETY OFF



The gun will fire one shot each time the trigger is pulled.

**FULLY AUTOMATIC (Automatic Firing)**

SAFETY OFF



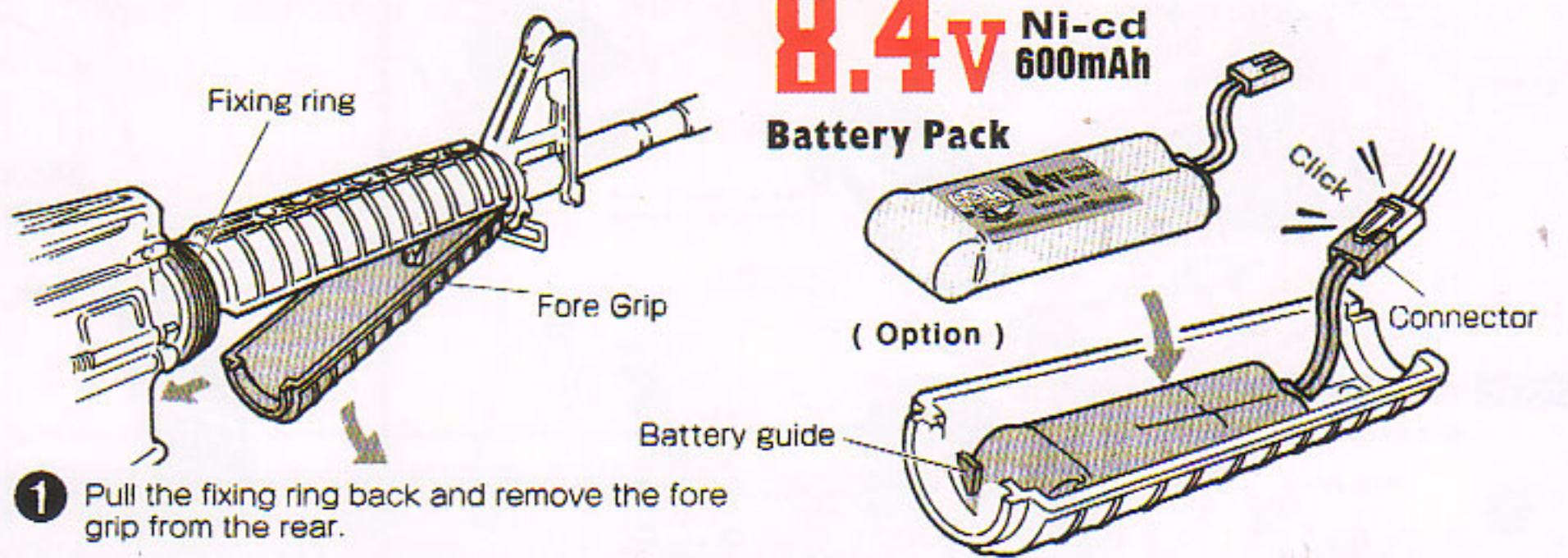
AUTO

The gun will fire automatically while the trigger remains pulled.

**2 Setting the Battery**

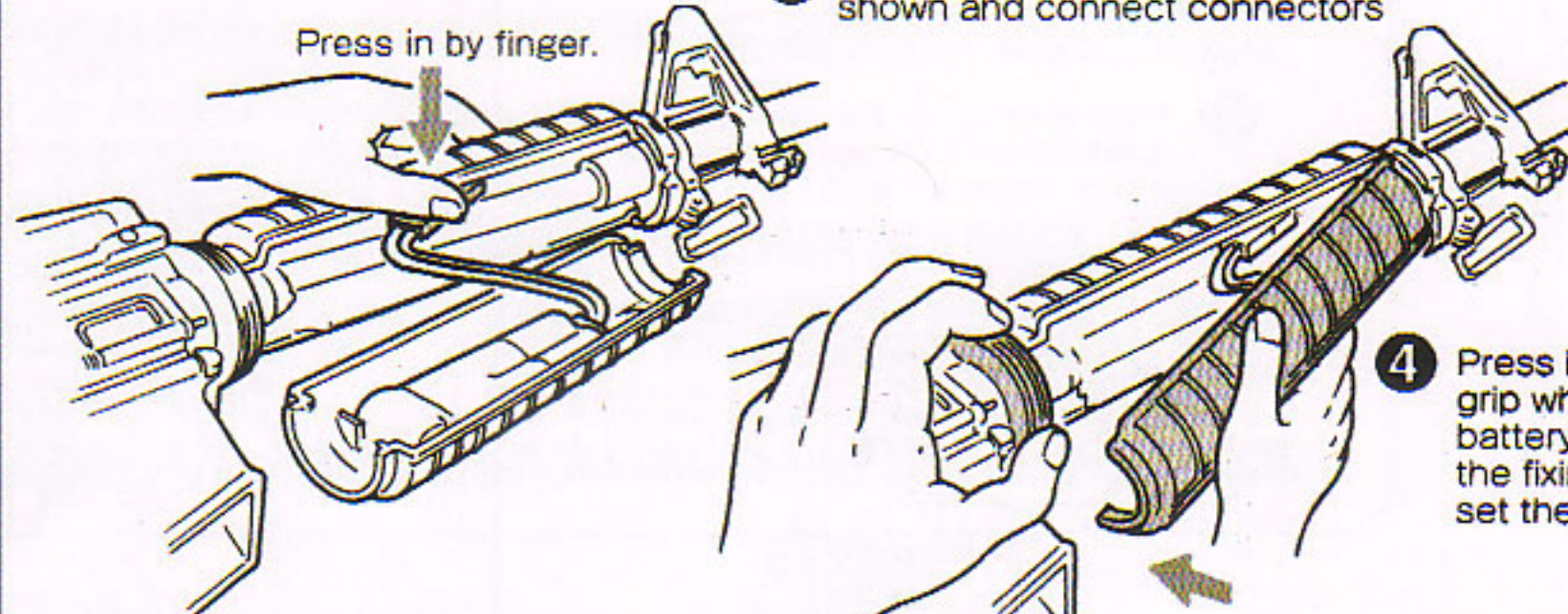
(Conduct operations hereafter after charging the battery.)

**8.4v Ni-cd 600mAh**  
**Battery Pack**



**1** Pull the fixing ring back and remove the fore grip from the rear.

**2** Insert the battery inside the battery guide in the fore grip as shown and connect connectors



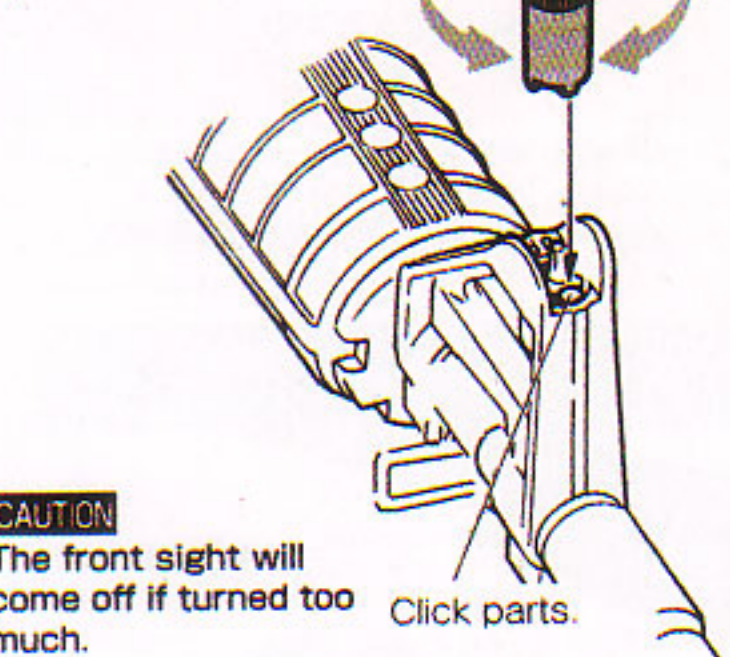
**3** Store the connector in the space above the fore grip.

**4** Press in the front of fore grip while securing the battery in position, pull the fixing ring back and set the rear of fore grip.



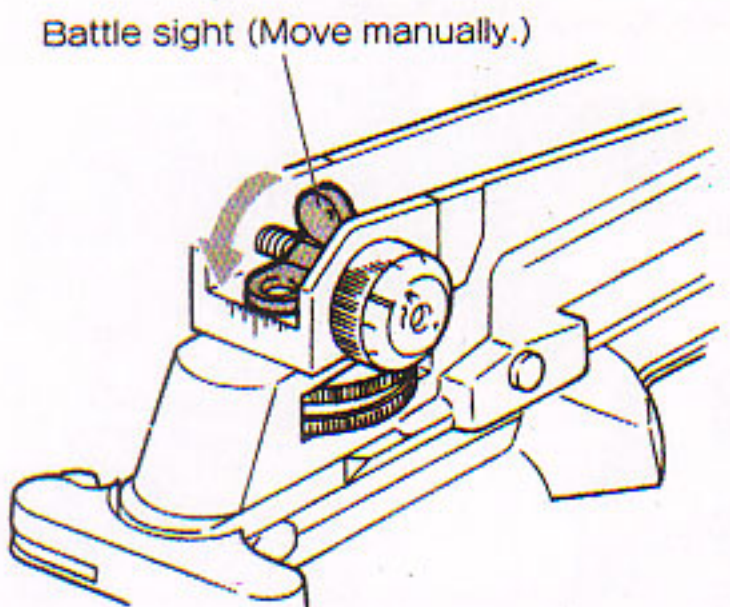
### 3 Setting the Open Sight

**Front Sight** Setting the bullet hitting point. Cover the front sight with the adjustment tool and turn. Turning clockwise: Raises the bullet hitting point. Turning counterclockwise: Lowers the bullet hitting point.

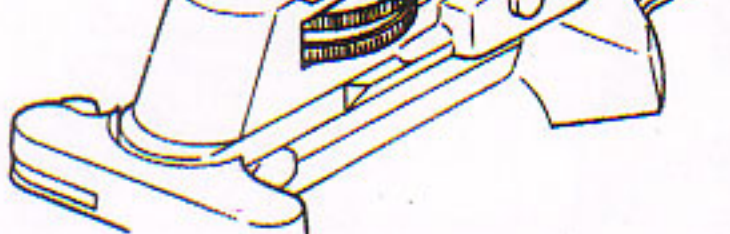


**CAUTION** The front sight will come off if turned too much.

**Rear Sight 2.** For precision targeting.

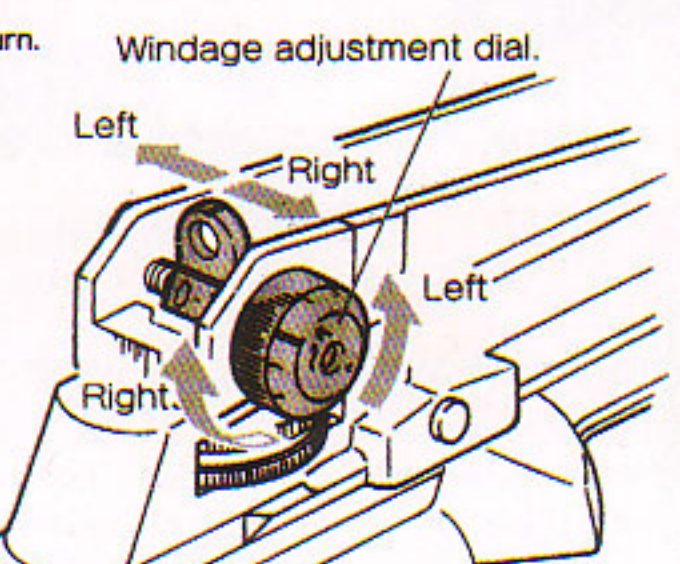


Battle sight (Move manually.)



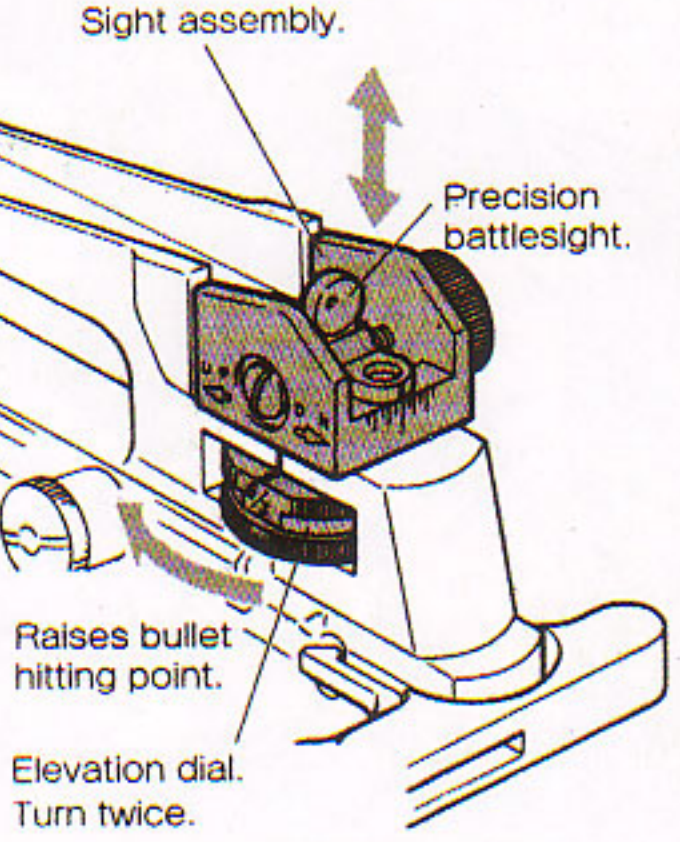
Raises bullet hitting point. Elevation dial. Turn twice.

**Rear Sight 1.** For left-right adjustment. Turning the windage adjustment dial will move the bullet hitting point to the left or right.



Turning clockwise: Raises the bullet hitting point. Turning counterclockwise: Lowers the bullet hitting point.

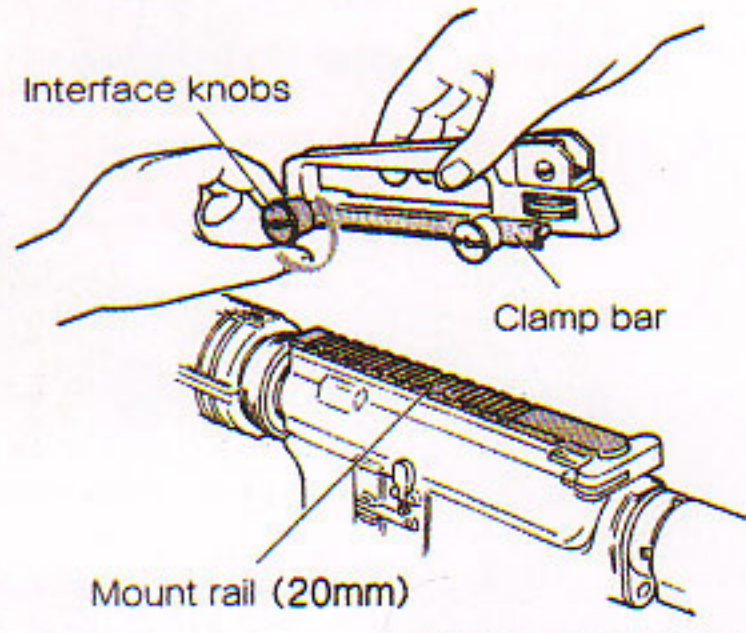
**Rear Sight 3.** For up-down adjustment.



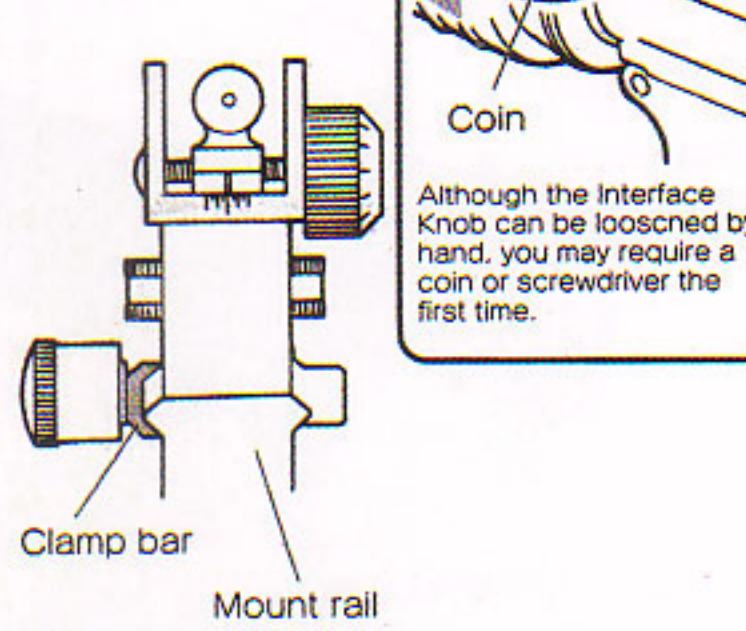
Raises bullet hitting point. Elevation dial. Turn twice.

### 4 Using the Carrying Handle

Loosen the Interface Knob and remove the Carrying Handle as shown.



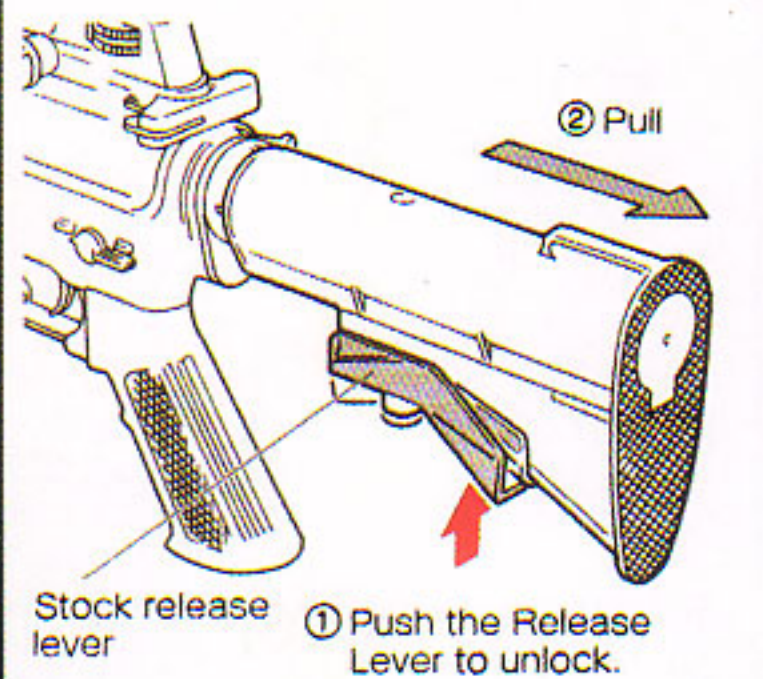
Removal One-point. Although the Interface Knob can be loosened by hand, you may require a coin or screwdriver the first time.



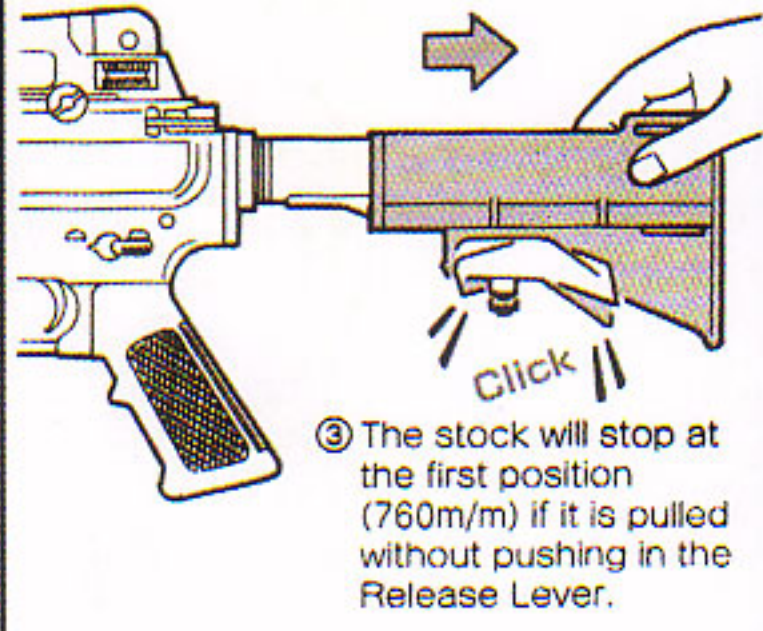
Put the fixed right side in place first on an angle before pushing down on the left side.

### 5 Movable Parts

● Retractable Stock



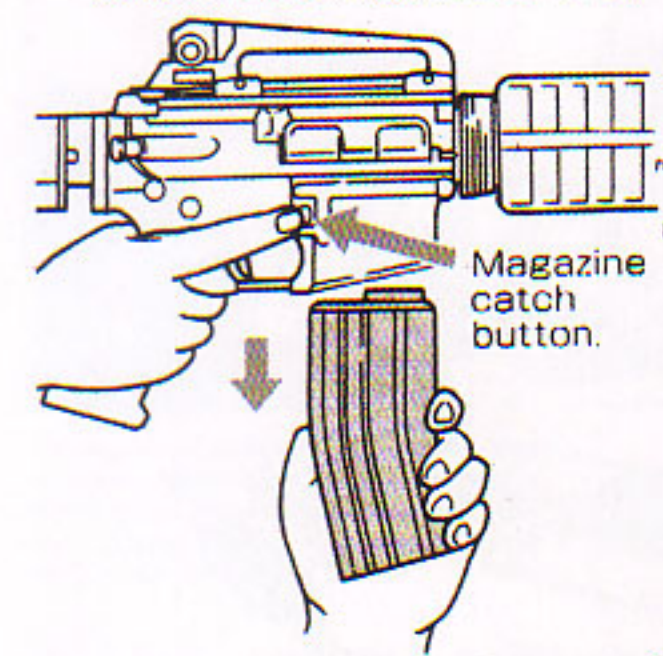
Stock release lever. The stock will stop at the first position (760m/m) if it is pulled without pushing in the Release Lever.



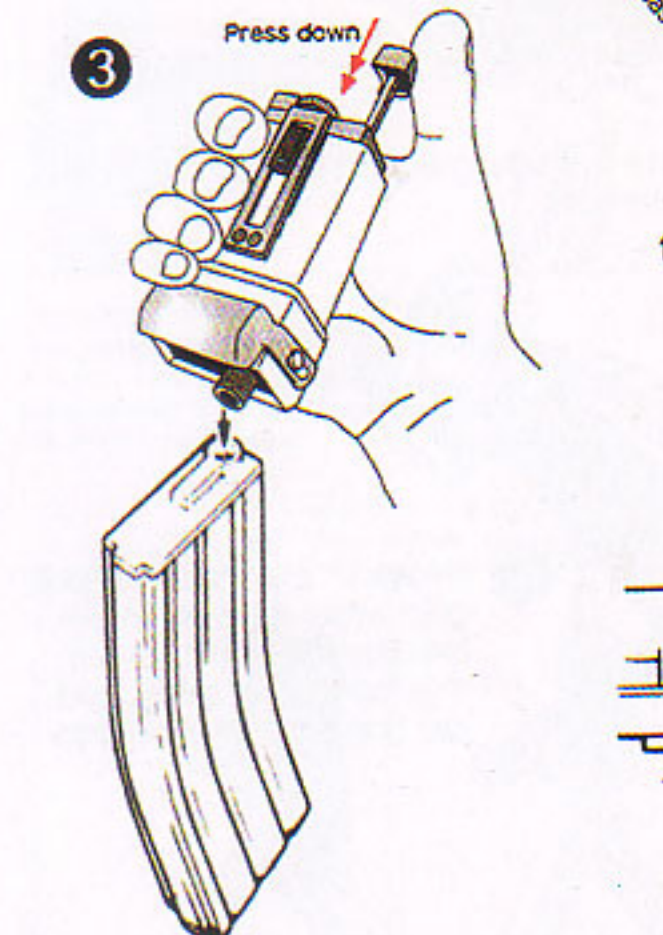
Click. The stock will stop at the first position (760m/m) if it is pulled without pushing in the Release Lever.

### 6 Setting the Magazine

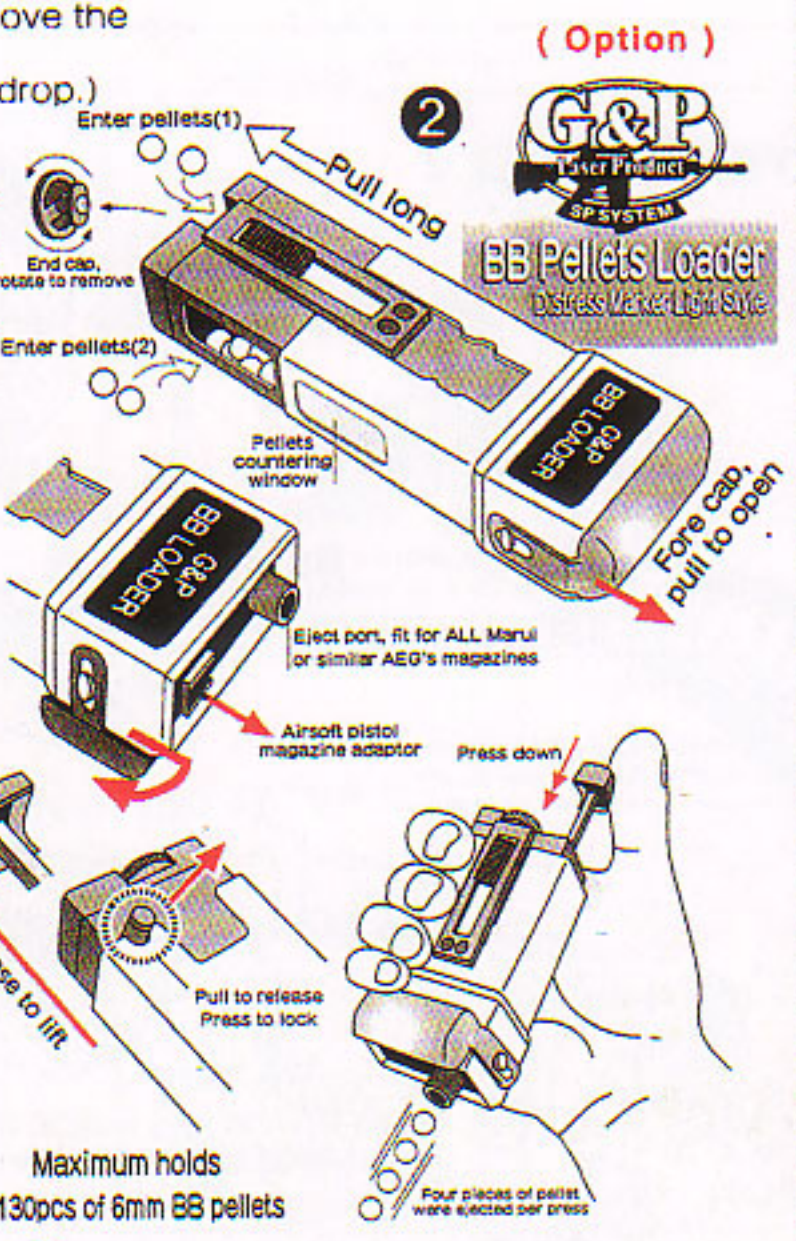
1 Press the magazine catch to remove the magazine. (Support the magazine as it may drop.)



**CAUTION** The magazine is capable of containing 68 rounds.



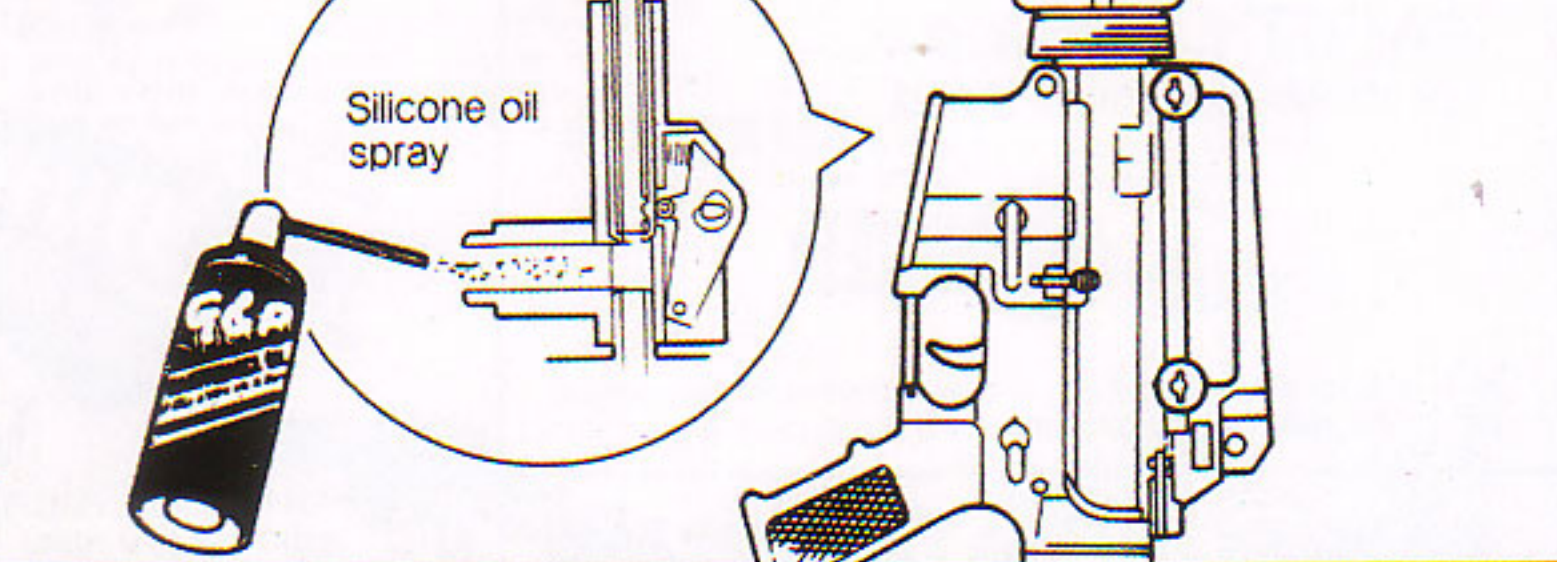
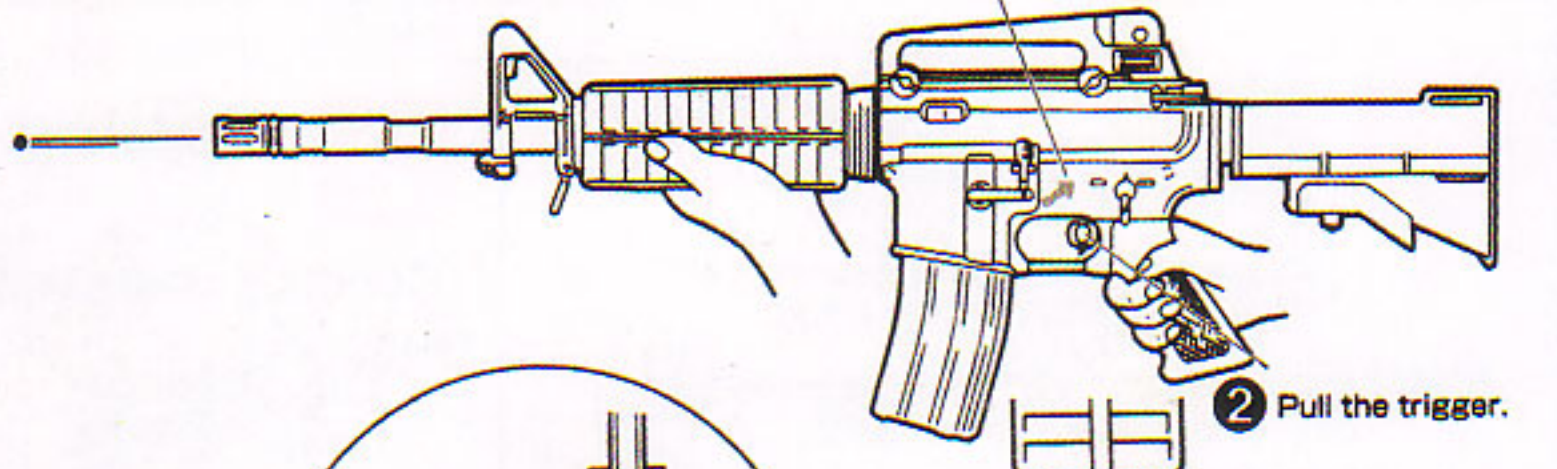
**CAUTION** Confirm that the safety lever is set to the Safety position and don't place your finger on the trigger.



Maximum holds 130pcs of 6mm BB pellets. Make sure to set the magazine upwards and connect it firmly until a click sound is heard.

### 7 FIRING (Confirm safety sufficiently before beginning firing.)

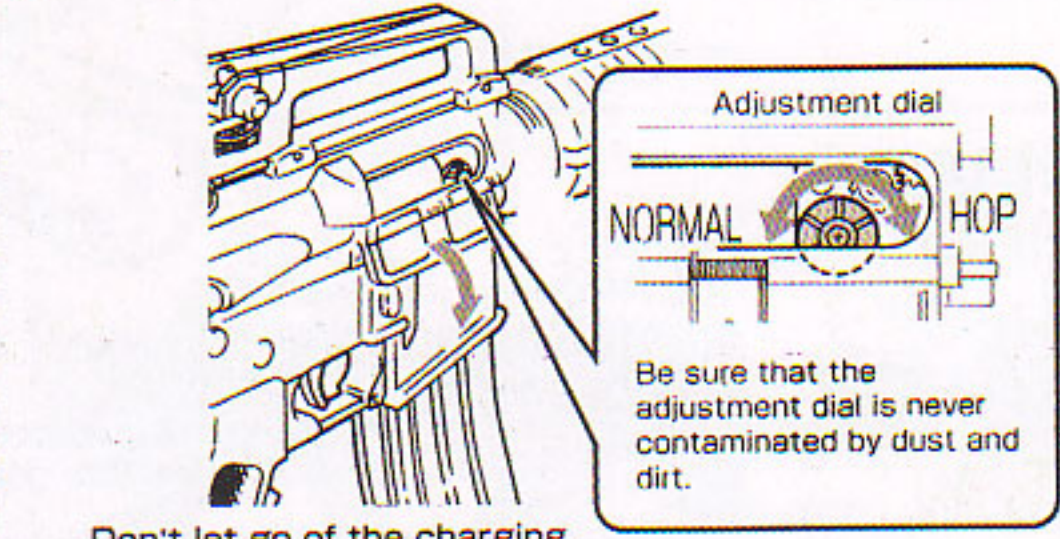
Remove the protective cap only when you are ready for firing the gun.



### 8 Variable Hop Up System

By producing a back-spin on the BB bullets, this system allows for straighter and longer distance shooting than normal air guns. Unlike the fixed type, the Marui variable hop up system permits one-touch adjustments using the dial and lever, making it an ideal hop up system.

▶ Adjustment Procedure



Don't let go of the charging handle when adjusting the hop up.