

ROYAL[®]

NEW AND III VERSION

AIRSOFT GUN

Users Restricted to
18 Years of age or older
使用年齡對象18歲以上



UNIVERSO SAIBER AIRSOFT



說明書

INSTRUCTION MANUAL

在操作之前必需读熟这些说明书
Always read through this manual before operation.



警告 WARNING

 <p>18岁以上年龄才能使用 Only for 18 years of age or older</p>	<p>18岁以上年龄才能利用这支汽枪比赛使用 Operation of this air gun for competition use is restricted to users of 18 years of age or older.</p>
 <p>注意受损伤 Injury caution</p>	<p>因为BB 弹能达到50-60米范围, 不小心的射击将可能导致眼睛受损伤或其它伤害。 Since plastic BB bullets reach 50 to 60 meters, careless shooting may cause eye damage or other injuries.</p>
 <p>注意熟读警告指示手册 Careful reading of Handling cautions and Instruction manual</p>	<p>在操作之前要细心读熟警告手册和指示手册操作汽枪时必须认识好警告指示 Always read through this HANDLING CAUTION AND INSTRUCTION MANUAL carefully before operation. Operate the air gun with full recognition of warnings and cautions.</p>

1 各部件名稱 Component Names



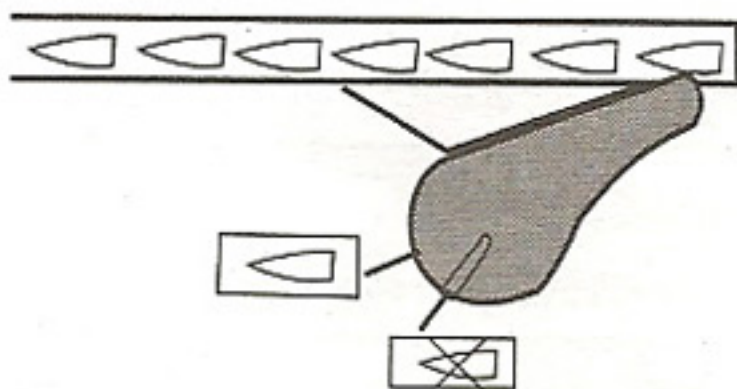
2 選擇裝置和安全設置 Selector Lever and Safety Setting

安全設置

1. Safety Setting

當你在沒有使用槍的時候，總是將杠杆設定為安全位置。

Always set the lever to the Safety position when you are not firing the gun or during storage.

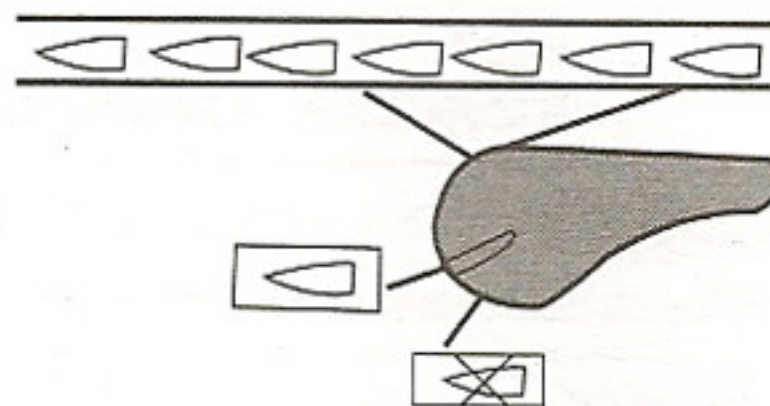


半自動 (單發)

2. Semi Auto (Single Shot)

每扣扳機一次，發射一發子彈。

The gun will fire one shot each time the trigger is pulled.

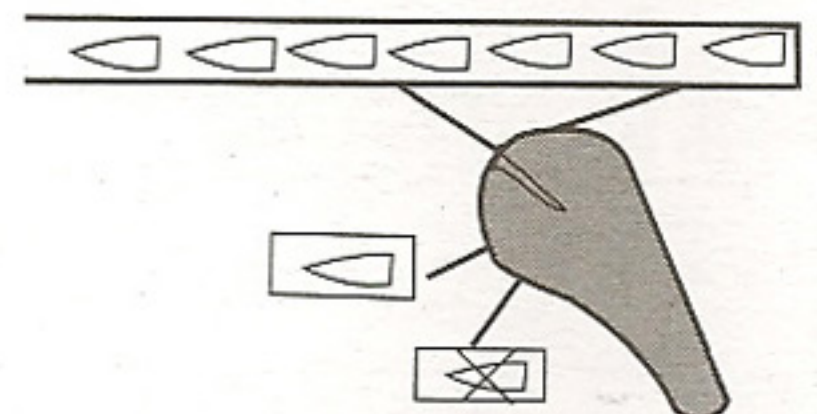


全自動 (連發)

3. Full Auto (Automatic Firing)

扣住扳機時，將連續發射多發子彈。

The gun will fire automatically while the trigger remains pulled.



3 安裝電池 Setting the Battery

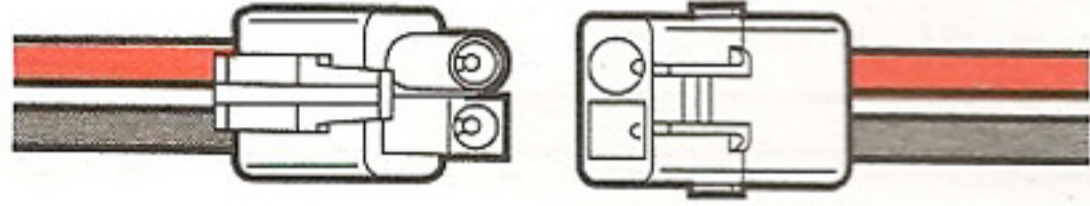
① 電池充電 Battery refresh

充電器插口
Charger put in a word

電池綫插口
Battery line put in a word

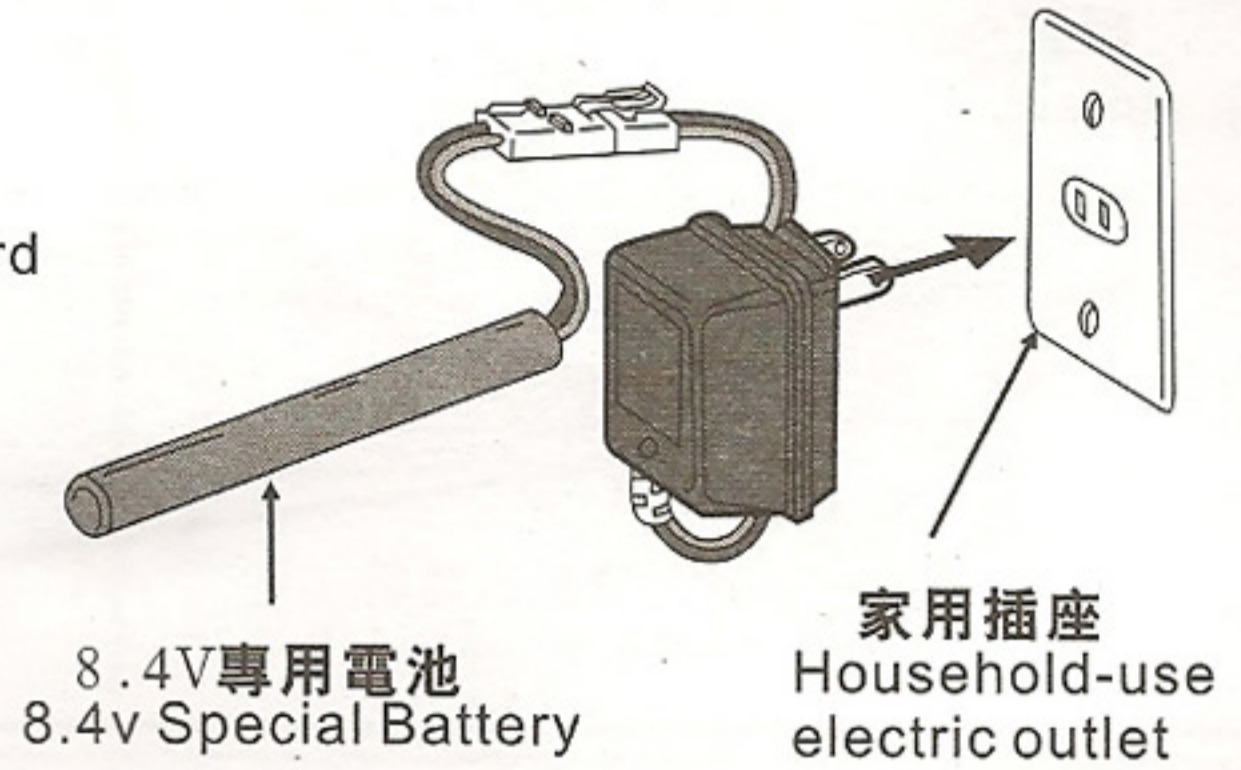
紅綫正極⊕
Red line cathode

紅綫正極⊕
Red line cathode



黑綫負極⊖
Black line anode

黑綫負極⊖
Black line anode

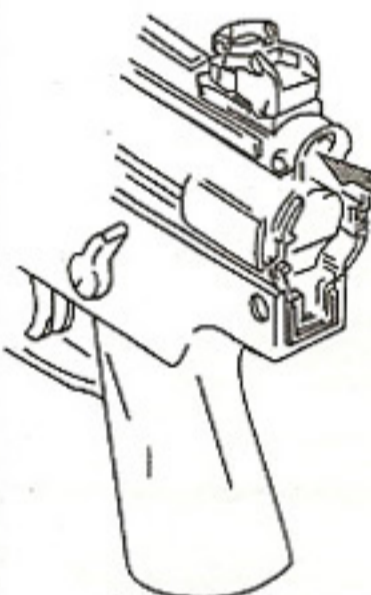


8.4V專用電池
8.4v Special Battery

家用插座
Household-use
electric outlet

4 設定彈倉 Setting the magazine

② 安裝電池。 Insert the battery.



將電池綫和連接器排成直綫。
Stretch the cord and connector in a line.

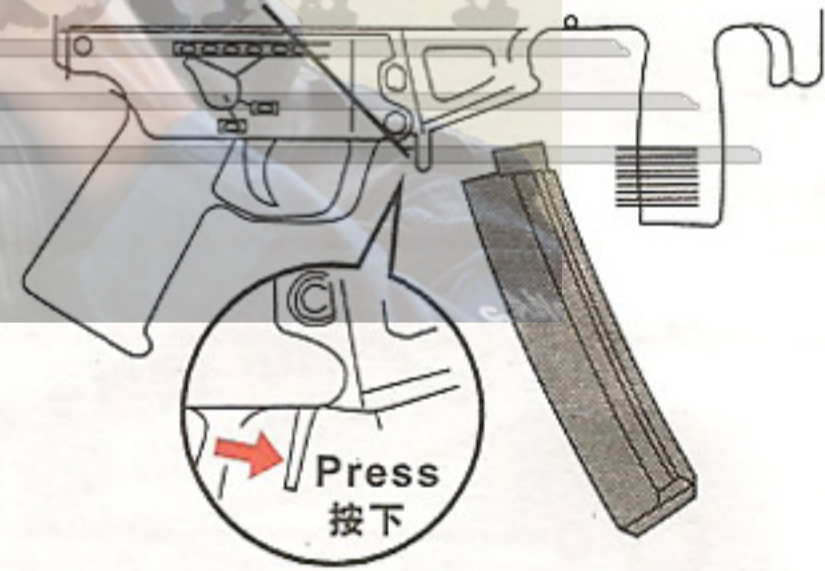
插入
Insert



小心，
在上方
Be careful
on the direction

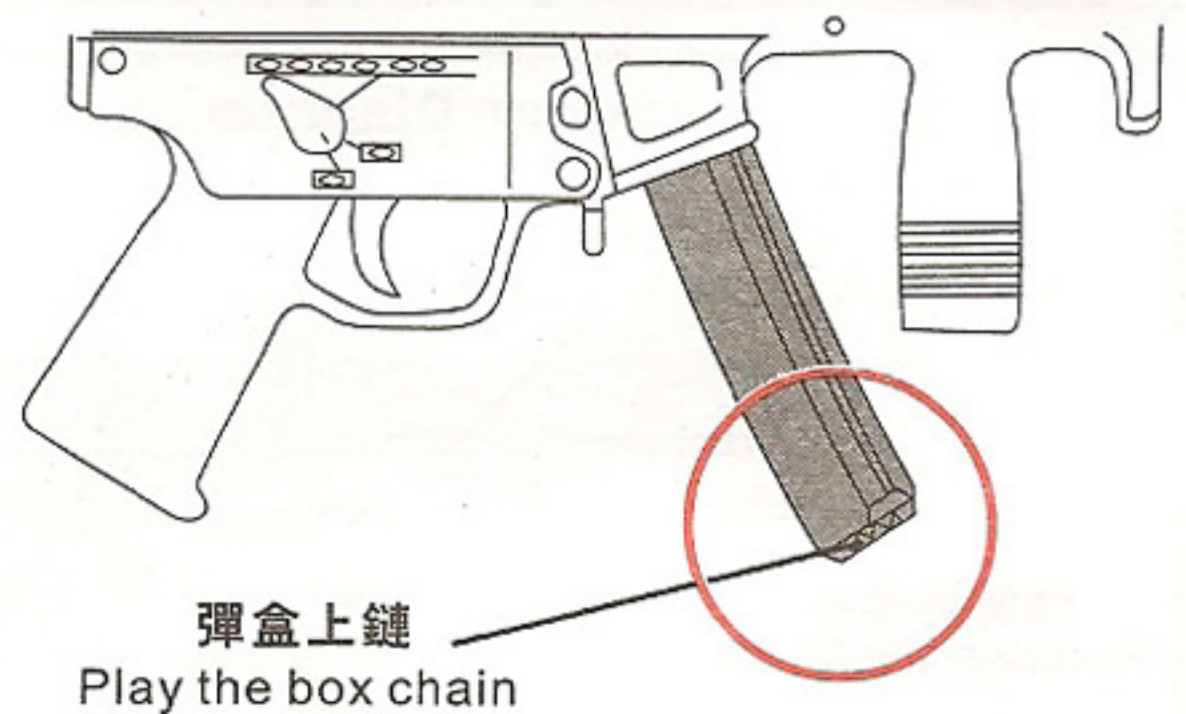
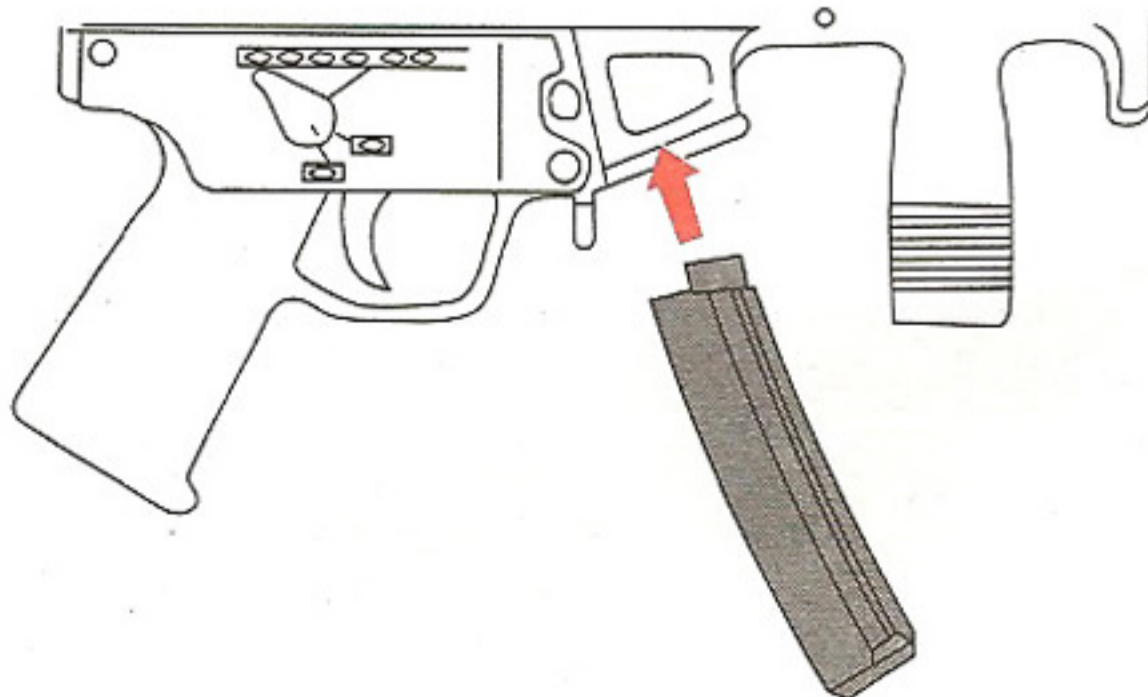
1. 按下彈倉拆卸鈕卸下彈倉。
1. press the magazine release to remove the magazine.

彈倉拆卸鈕
Magazine release Lever



2. 當聽到聲音時，表示彈倉已被固定安裝上。

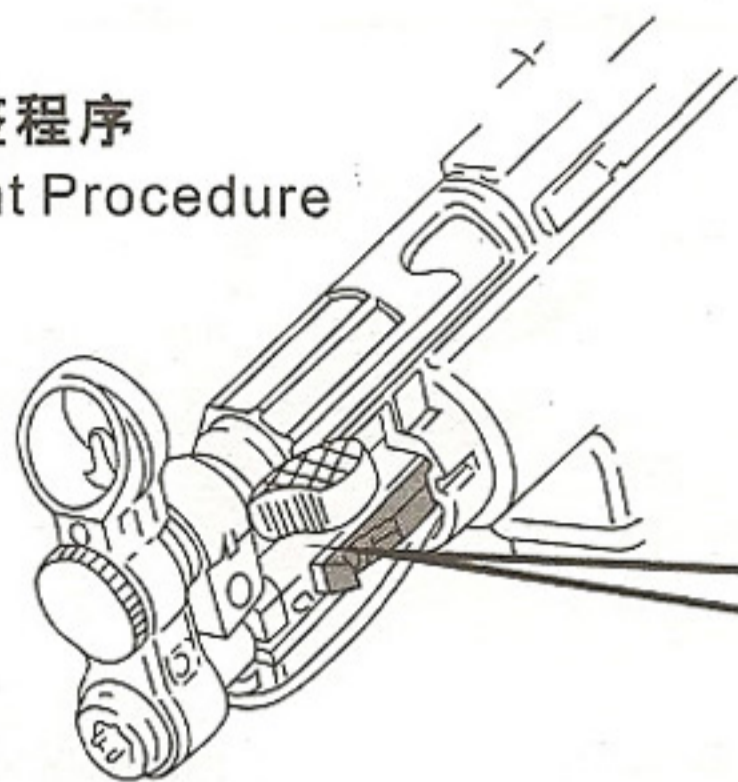
2. Make sure to set the magazine upwards and connect it firmly until a click sound is heard.



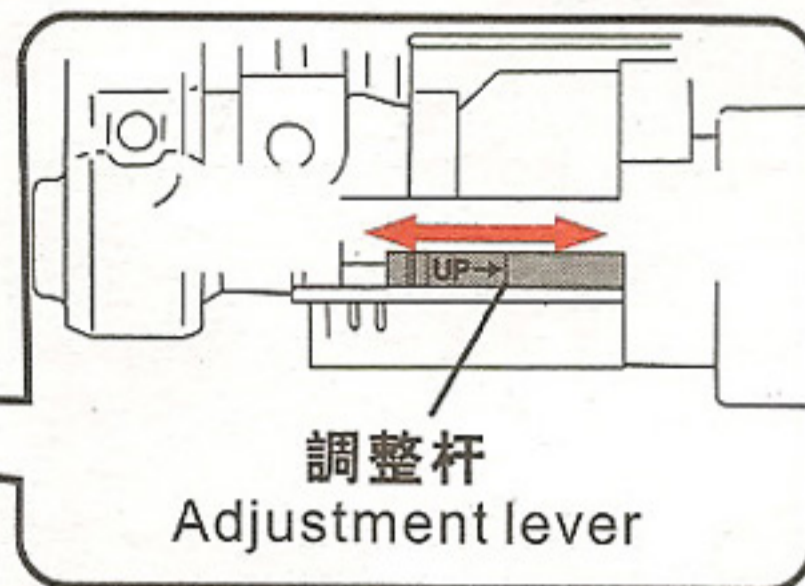
彈倉上鏈
Play the box chain

5 可調節 Hop - Up 系統 Variable Hop Up System

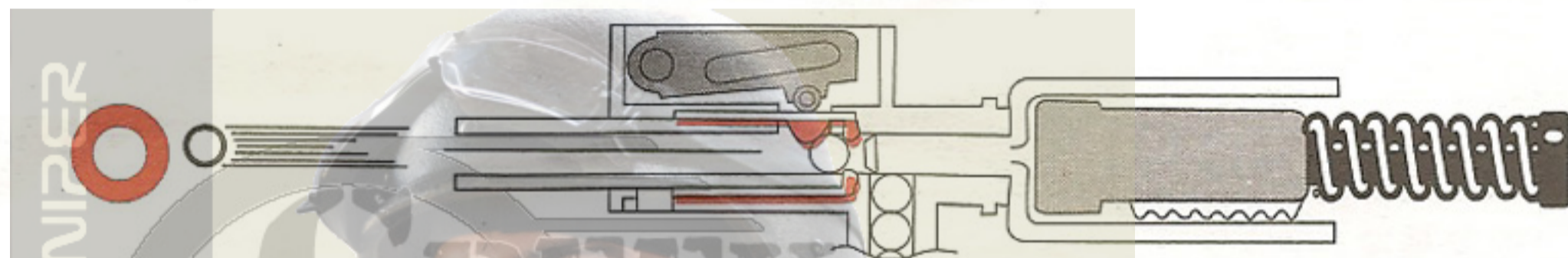
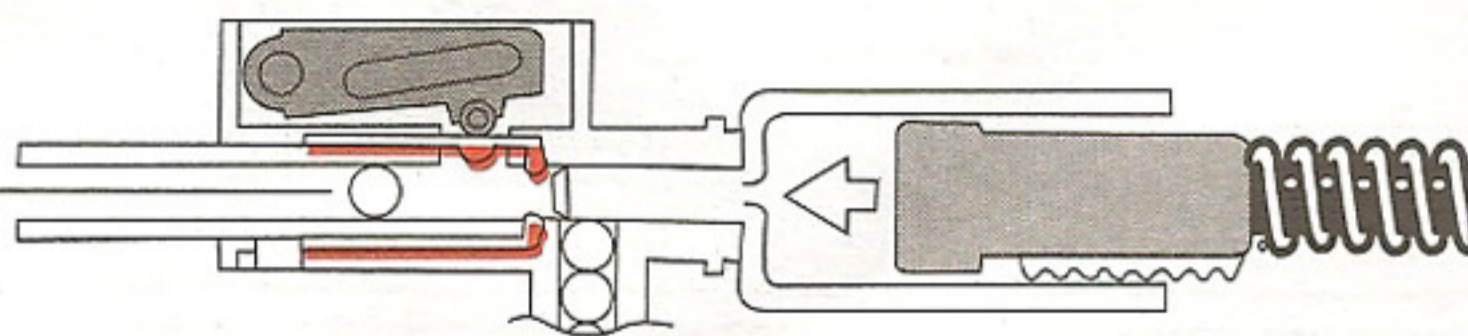
調整程序
Adjustment Procedure



小心：在前手把移除后進行調整。
CAUTION: Adjust after removal of fore grip.



Hop - Up 系統性能
Variable Hop-up
Performance



這支槍的設計，是以最好的表現使Hop - Up操作得到提高效果。

This gun is designed so that the best performance is obtained when operated with the hop-up effect.

6 射擊 Shoot

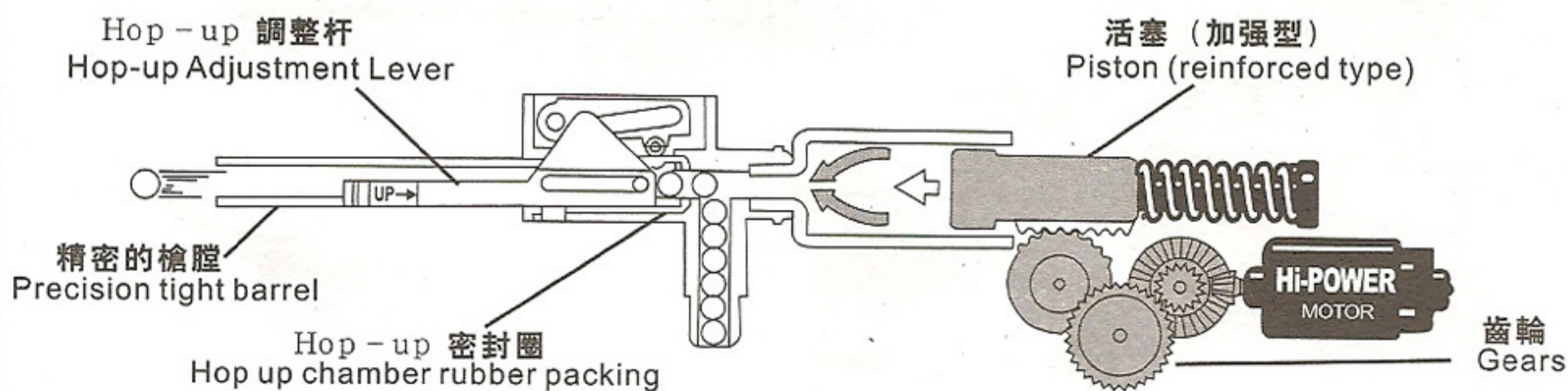
✗ Hop - up 調得太高
Too much hop-up

最好的射擊位置
Best position

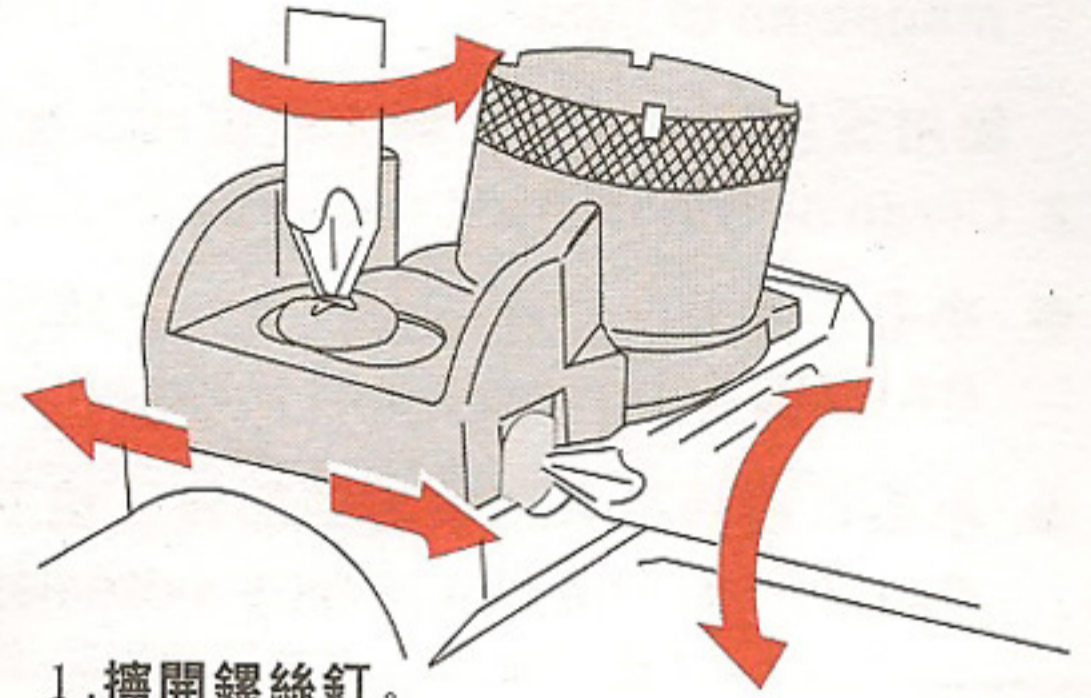
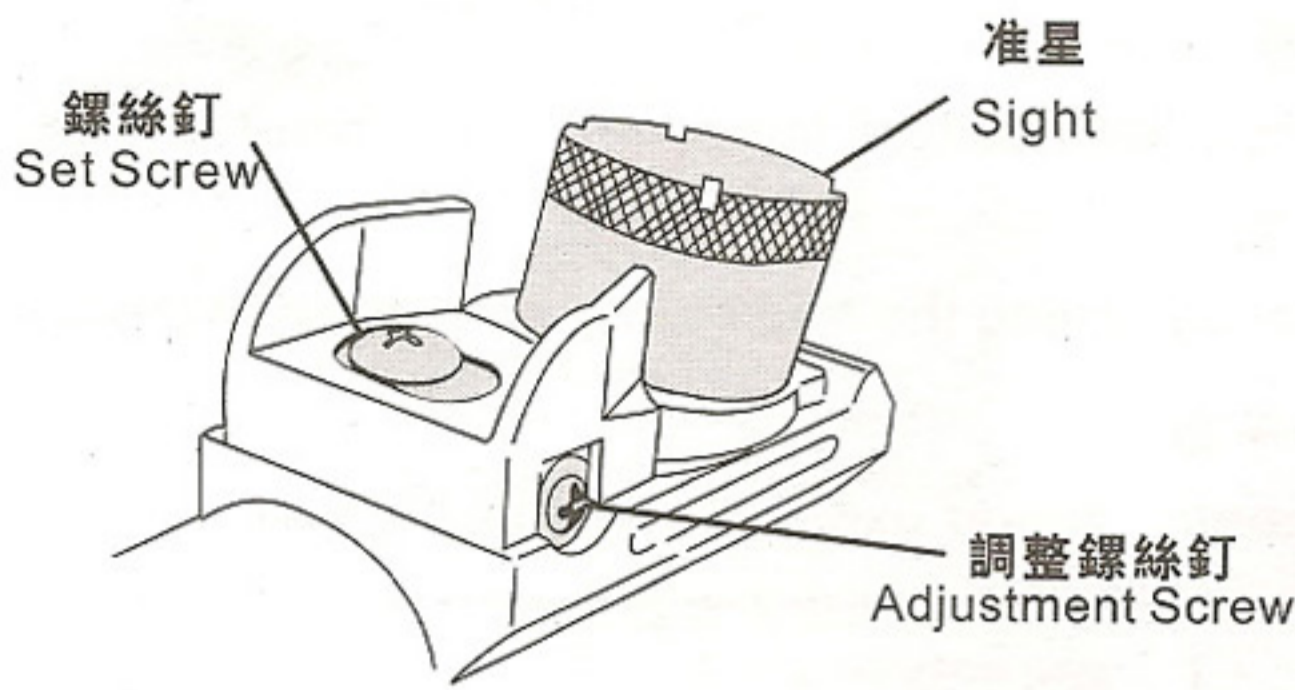
✗ Hop - up 調得太低
Not enough hop-up



構造圖 Construction Diagram



7 調節后准星 Setting the rear sight



1. 擰開螺絲釘。
1. Loosen the set screw.

2. 轉動調整准星，擰開螺絲釘。

2. To move the sight turn the adjustment screw using a screwdriver.

3. 調整完成后，擰緊螺絲釘。

3. When adjustment is complete, tighten the set screw.



● Turning clockwise shifts the sight point to the left.

轉動准星左邊按順時針方向旋轉。

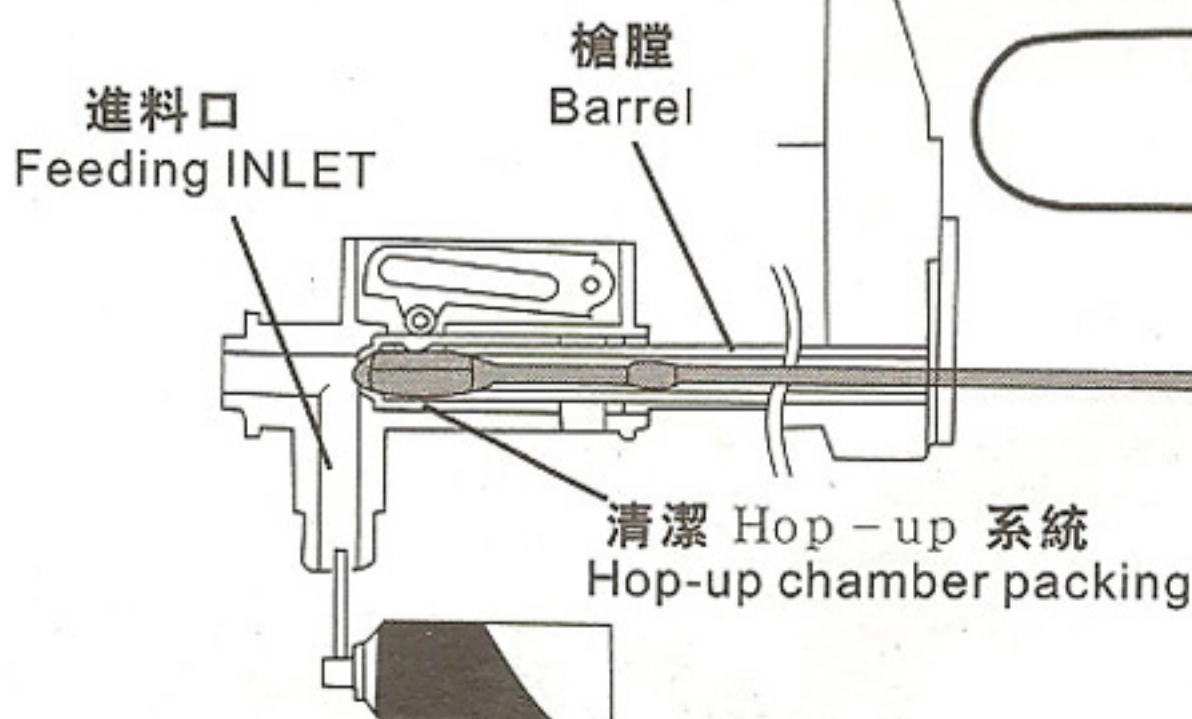
● Turning counterclockwise shifts the sight point to the right.

轉動准星右邊按逆時針方向旋轉。

For precise shooting, turn the sight by hand and use the smaller hole.

對於精確的射擊，旋轉准星到較小的洞。

8 使用清潔條夾住布料進行維護 Maintenance Using Cleaning Rod with Cloth Catch



滴入時間為0.5到1秒。
* Spray for 0.5 to 1 sec.

紅色標志（不要插入超過此標志。）
Red mark (Do not insert exceeding this mark.)

向進料口滴入幾滴樹脂油，滴入時間為0.5到1秒。射擊1至2發子彈，確保安全射擊。

1. Spray silicone oil for 0.5 to 1 sec in the bullet entrance. Then fire 1 or 2 magazine loaded in the magazine to stabilize sound shooting.

使用清潔條（棉花）滴上油，進入槍膛進行維護。

2. Clean oil from the chamber using the cleaning rod (with cotton) to complete the maintenance.

- 小心：總是在還原 Hop-up 系統后再進行清潔。

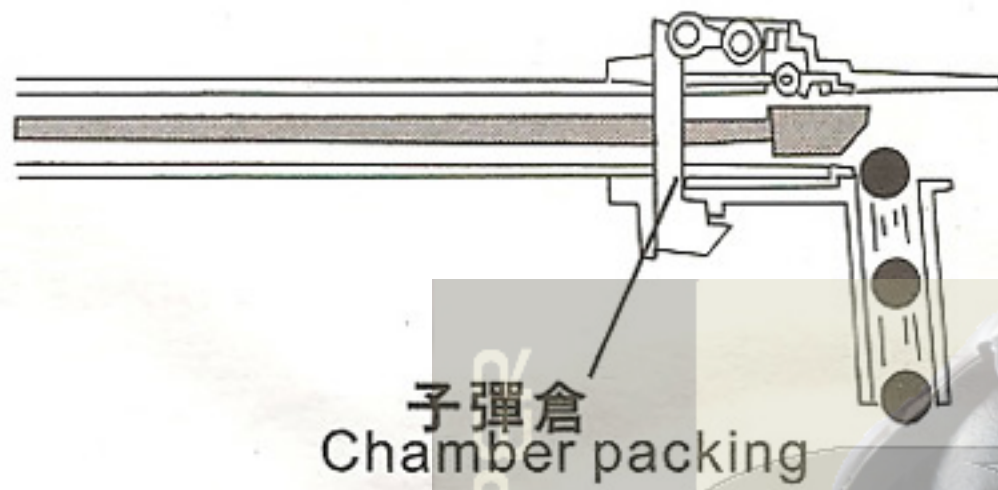
CAUTION: Always begin the maintenance after returning the hop adjust lever to NORMAL.

- 小心：槍膛是一個精密的部件。請不要使用舊子彈。

CAUTION: The chamber is a precision component. Never use any used BB bullets.

確保清彈器的角部分向下，并清除堵塞子彈。

Be careful so that the angled part of the cleaning rod faces down, and remove clogged bullets.



CAUTION

⚠ 注意

確保跳躍調整杆回復到正常位置才能插入清彈器。

Make sure to insert the cleaning rod AFTER returning the hop up lever to the Normal position (Hop-OFF)

棉花布料
Cotton cloth

寬：大約為10毫米
Width: About 10 mm

長：大約為25到30毫米
Length: About 25 to 30 mm

握住清潔條末端轉動進行清潔。
Hold towards the tip of the rod and insert while turning it.

小心：握住清潔條末端，將很難插入。

CAUTION: Inserting the rod will be difficult if you hold the rod at the end.

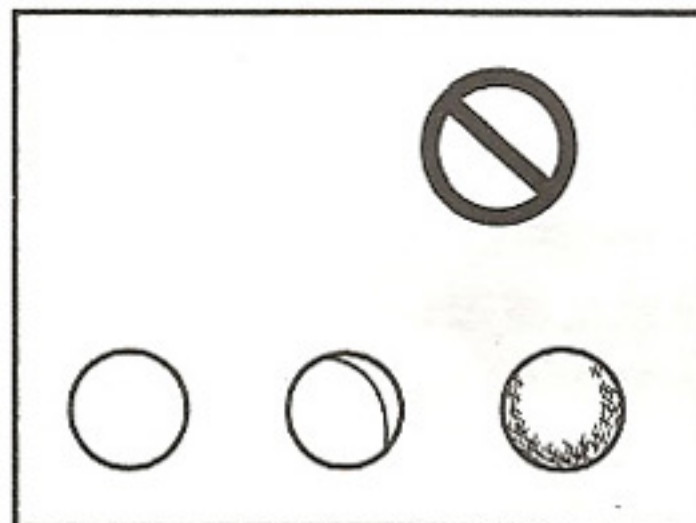
轉動旋緊布料
Wind the cut cloth



警告 注意

WARNING

ATTENTION



Always use precision BB bullets for this air gun. Never use any used BB bullets.

裝BB彈時嚴格檢查，不能帶有毛細零碎雜質。

Certified shooting safety goggles



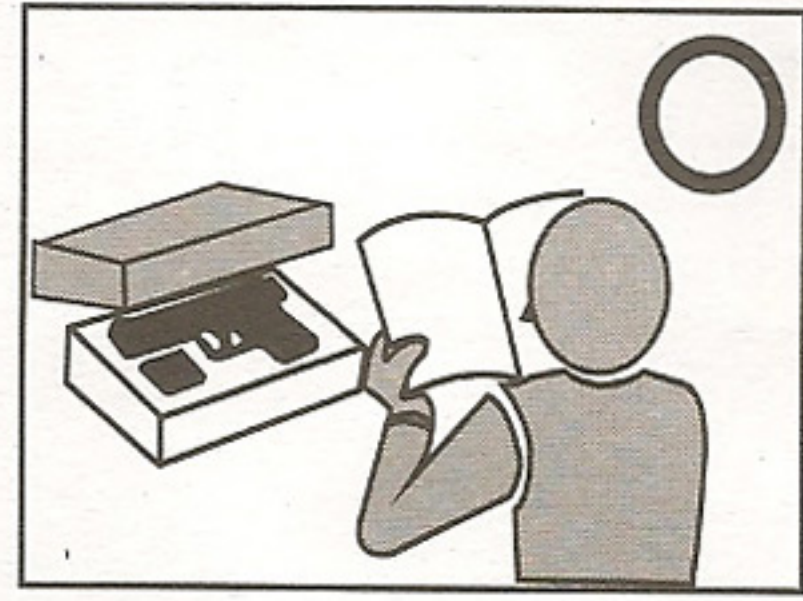
Wear protective eye wear & face mask when using airsoft guns.

當使用汽彈槍時，請戴上防彈眼鏡和面具。



Never aim or shoot a person or animal as the target. Always set the selector on SAFE position except when you are ready to shoot a target.

不可把人或動物當作目標瞄准或射擊。始終系上槍口的保護蓋，除非你準備去射擊一個明確的目標。



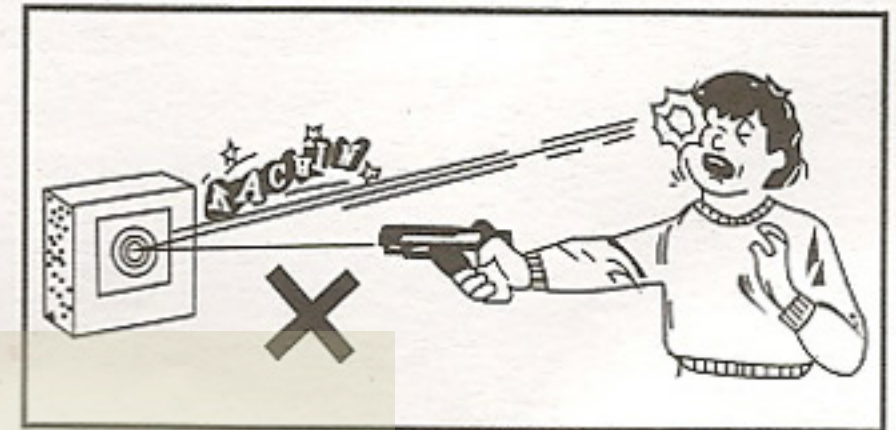
Read and understand the operating and safety manual before using your airsoft guns.

在使用汽彈槍前，請先閱讀和理解操作安全手冊。



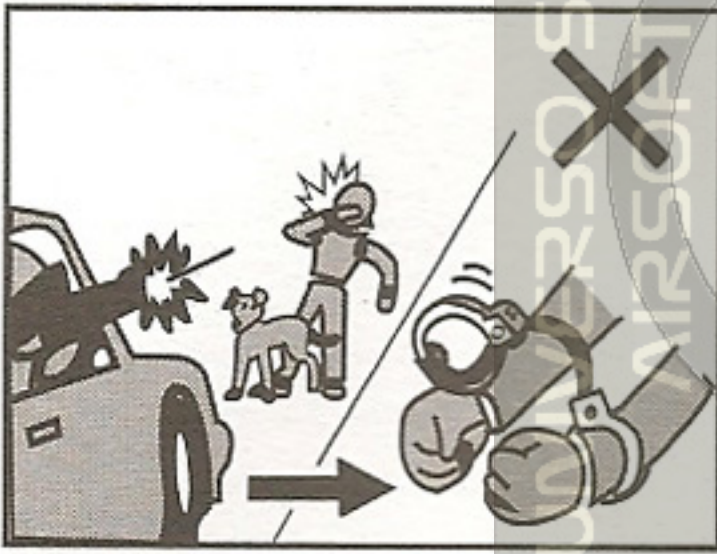
Do not look directly into the gun barrel to avoid accidental discharge of BB.

不要直接地看槍管，避免BB彈意外發射。



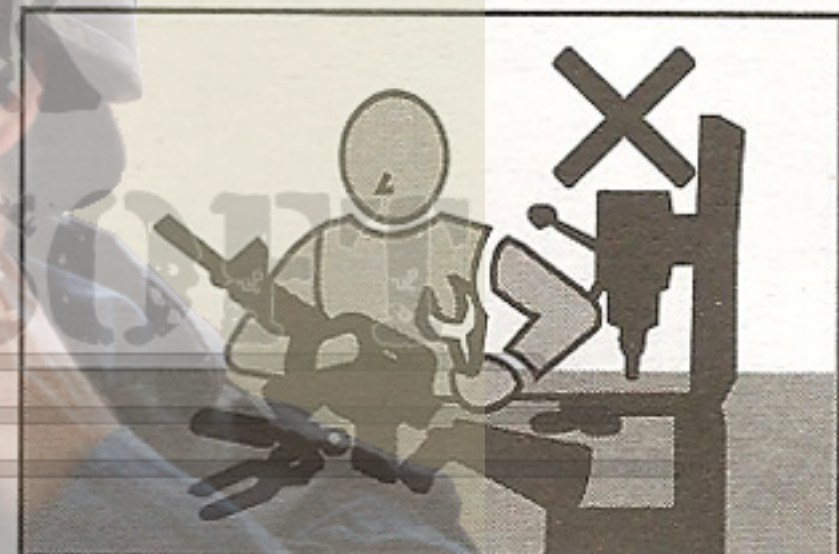
Do not shoot at solids which can turn back the bullet.

不要向能回彈子彈的固體物射擊。



You may be punished if you damage public or personal properties or injure a person or animal even if you are shooting for a practical joke. Always observe manners and enjoy healthy sport shooting.

如果你損害公共的或私人的財產，或者傷害人或動物，即使你是在進行射擊實踐遊戲，你也會受到懲罰。請始終遵守規矩，享受有益健康的運動射擊。



This air gun is manufactured under consideration of appropriate performance and operability. Disassembling or modifying the gun may generate danger or adversely affect the performance. So, avoid disassembling or modifying the air gun.

該氣槍是根據適當的性能和操作性造的。拆除或改裝氣槍可能產生危險或者違反操作。因此要避免除或改裝該氣槍。

1. 使用前電池充電要求4-5小時以上，要求使用本公司生產的6mm BB子彈。
2. 在沒有裝BB彈之前請不要扣動扳機或長時間扣動扳機。
3. 汽彈槍工作過程供電不足，要停止使用重新充電。
4. 不能改換產品的電機，齒輪，彈簧。
5. 汽彈槍是體育競技一個品種，嚴禁末滿18歲青少年使用。

1. Use the ex-battery refreshes to request for more than 4-5 hours. The 6mm BB bullet that request to use the production of our company.
2. Please before did not pack the BB to play and do not button up to move the trigger or button up to move the trigger with long hours.
3. The vapor plays the gun work process power famine, wanting that the stop usage re-refreshes.
4. Can't make changes in the electrical engineering, wheel gear of the product, spring coil.
5. The vapor plays the gun is an athletics to contest a species, strictly forbid the end full 18 years old teenager's usage.



MADE IN CHINA