

AIRSOFT SHOT GUN

1/1 NEW GENERATION AIRSOFT GUN **M-180** SERIES

Age: above 18

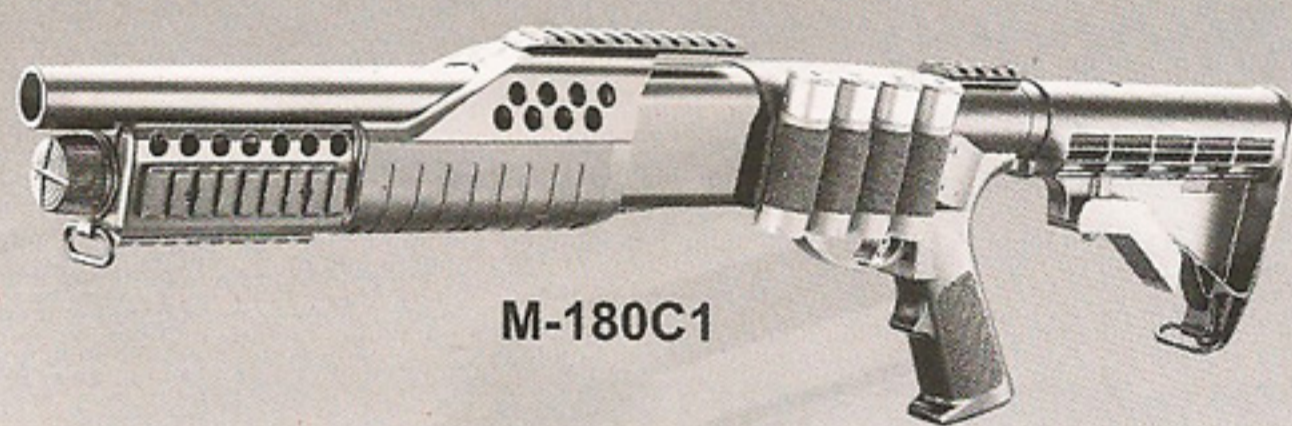
- Running/shooting
- Changeable Hop Up System
- Long Metal Barrel(23cm),supper accurate and farther(50)
- 手拉单发/连发
- 可调Hop Up功能
- 超长金属内管(23cm)超远射程可达(50m)



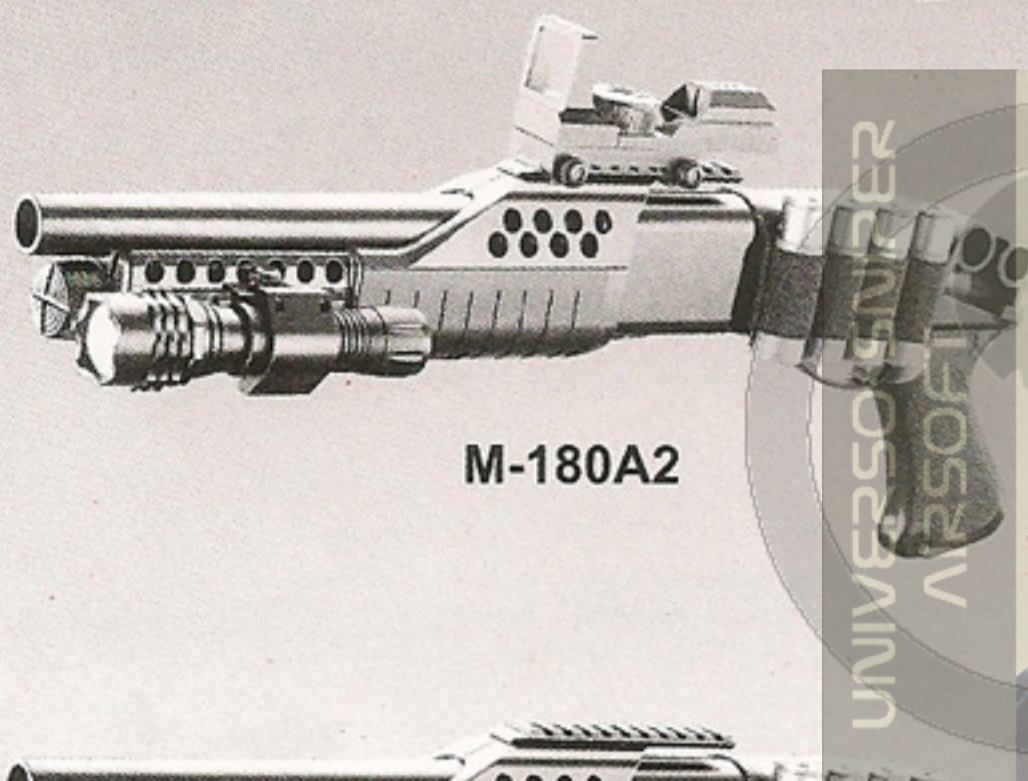
1x14
USE 6MM BB BULLET



M-180A1



M-180C1



M-180A2



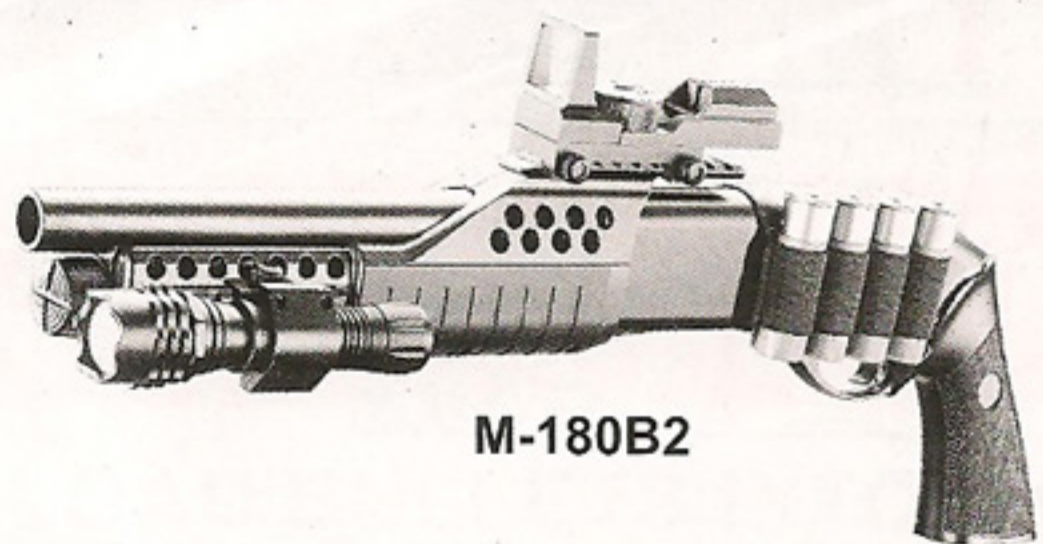
M-180C2



M-180B1



M-180D1



M-180B2






M-180D2



WARNING: 警告

Always read this manual before using.
在使用之前必须读了这一本手册。

 <p>Only for 18 years old and up 只能18岁或18岁以上才能使用</p>	<p>Operation of this air gun for competition use is restricted to users younger than 18 years old. 空气枪只限于18岁或18岁以上进行射击比赛的时候使用。</p>
 <p>Injury caution 谨慎伤害</p>	<p>Since the field of fire can be about 50 to 60 meters, careless shooting may cause eye damage or other injuries. 射击的领域大约为50到60公尺，如果疏忽射击可能使眼睛遭受伤害或者别的伤害。</p>
 <p>Careful reading of Handing cautions and Instruction manual 仔细谨慎阅读指导手册</p>	<p>Always read through this HANDLING CAUTIONS AND INSTRUCTION MANUAL carefully before operation. Operate the air gun with full recognition of warnings and cautions. 射击之前必须认真阅读操作过程和指导手册详尽的认识操作枪支。</p>

Parts added* symbol are suitable for specific packing only.
注：有带*之配置只用于特定包装



Always read through this manual before operation

使用前请阅读此说明书



WARNING
注 意

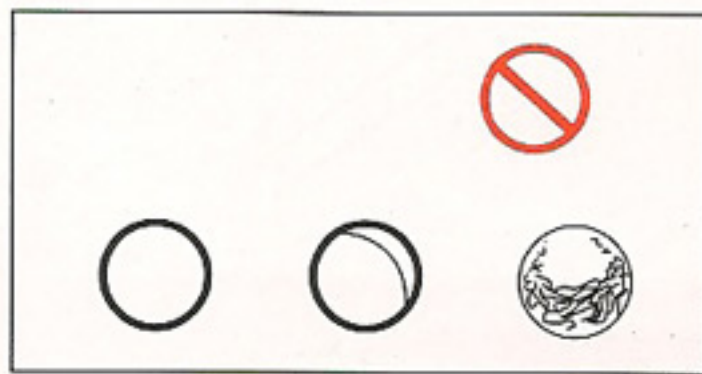
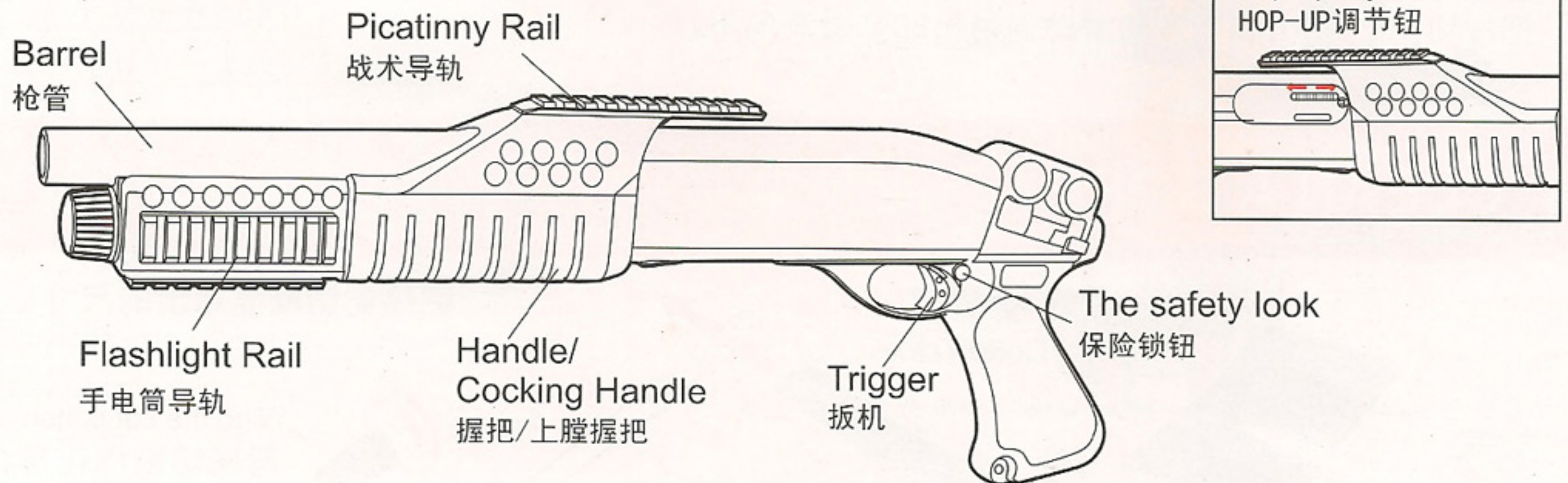
Always read through this manual before operation.

在任何情况下操作前必需读这一本手册

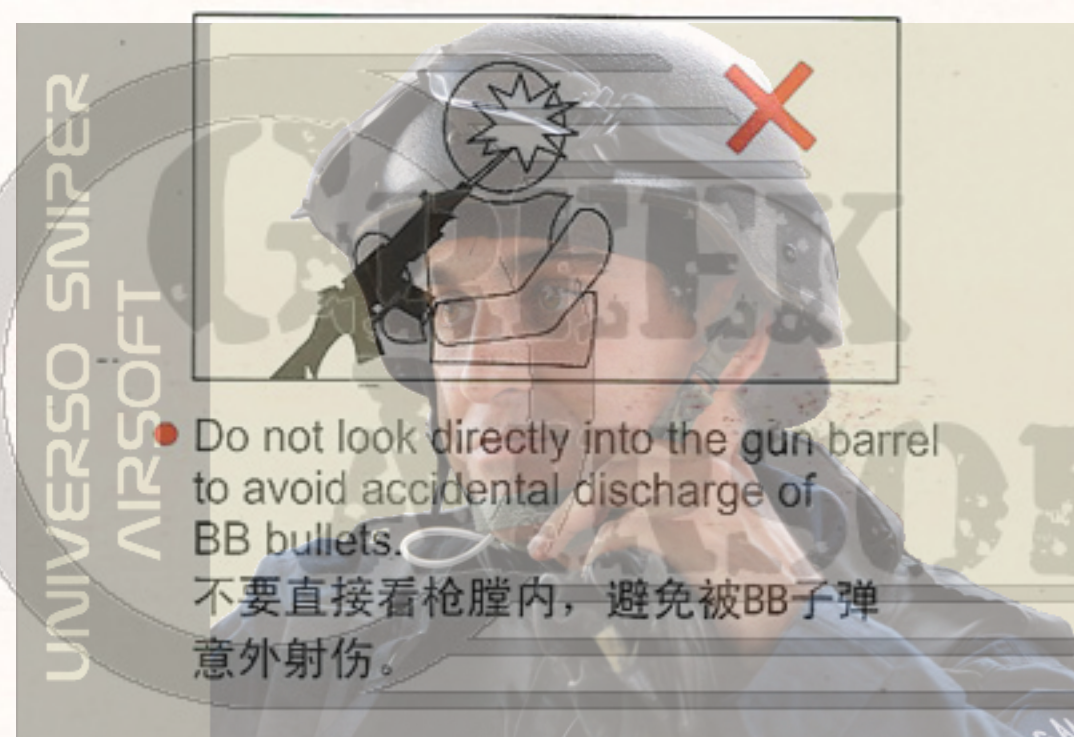
- Read through this manual before shooting, paying special attention to safe operation. 在射击前读过这一本手册，要特别注意里面的安全操作步骤。
- Failing to do so may cause injury, accidents, or damage to the gun. 没有按下面的要求操作可能造成伤害，或被枪意外弄伤。

Component Names

各部位的名称



- Always use precision BB Bullets for this air gun. Never use any used BB bullets. 空气枪要使用精密的BB子弹，不要用任何使用过的BB子弹。



- Do not look directly into the gun barrel to avoid accidental discharge of BB bullets. 不要直接看枪膛内，避免被BB子弹意外射伤。



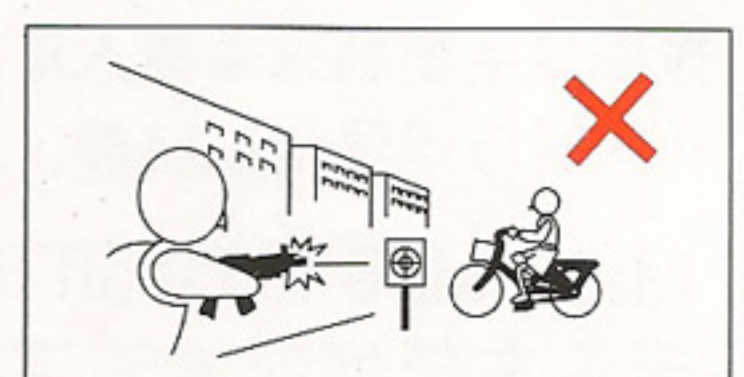
- Never aim or shoot a person or animal as a target. Always set the selector on safety position except when you are ready to shoot a target. 不准对准人或动物作为目标进行射击，当你准备好射击的时候，应该把目标选择设置在安全的位置上。



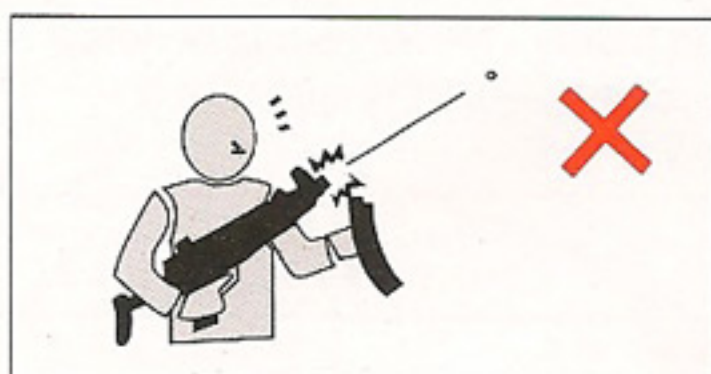
- Never hold the gun sideways as the BB bullets will curve to the right or the left, due to the HOP-UP system. 由于系统的功能，不要将枪侧着射击。BB弹将会向左边或右边弯曲射出。



- Do not brandish in public, do not alter the coloration and warnings-such an action is dangerous and may be a crime. 不要公然的挥舞枪支，不要改变着色和警告，这样的行为是很危险的可能导致犯罪。



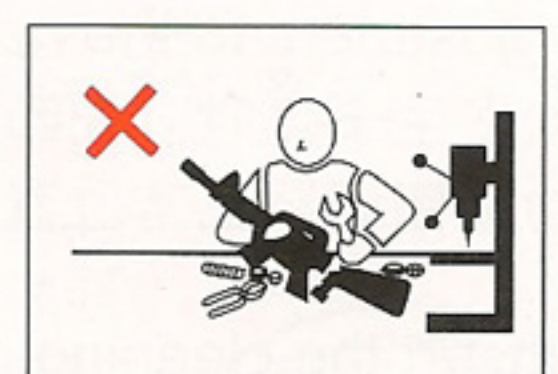
- Select a safe place for operating the air gun, Avoid shooting in public area. 操作空气枪应该选择一个安全的地方，避免在公共场合射击。



- Even when the magazine is released bullet may still remain in the gun. Before attaching the protective plug to the muzzle, please fire a few shoot to make sure no bullet remain in the gun. 当子弹夹被取下时子弹可能还滞留在枪中，当枪口塞住需要维护之前，请开枪射击确定没有子弹滞留在枪里面。



- When you carry the air gun, attach the protective plug to the muzzle, set the selector lever to the safety position and put it in a case or bag. 当你携带空气枪的时候应该用安全的塞子将枪口堵住，然后把杆杠设置在安全的位置上，并且用袋子装起来。



- The dismantlement of the gun body would easily cause accident; which is really dangerous. So please don't dismantle the gun body. 枪身体的拆除会容易地引起意外事件；真的危险。所以请不要拆除枪身。

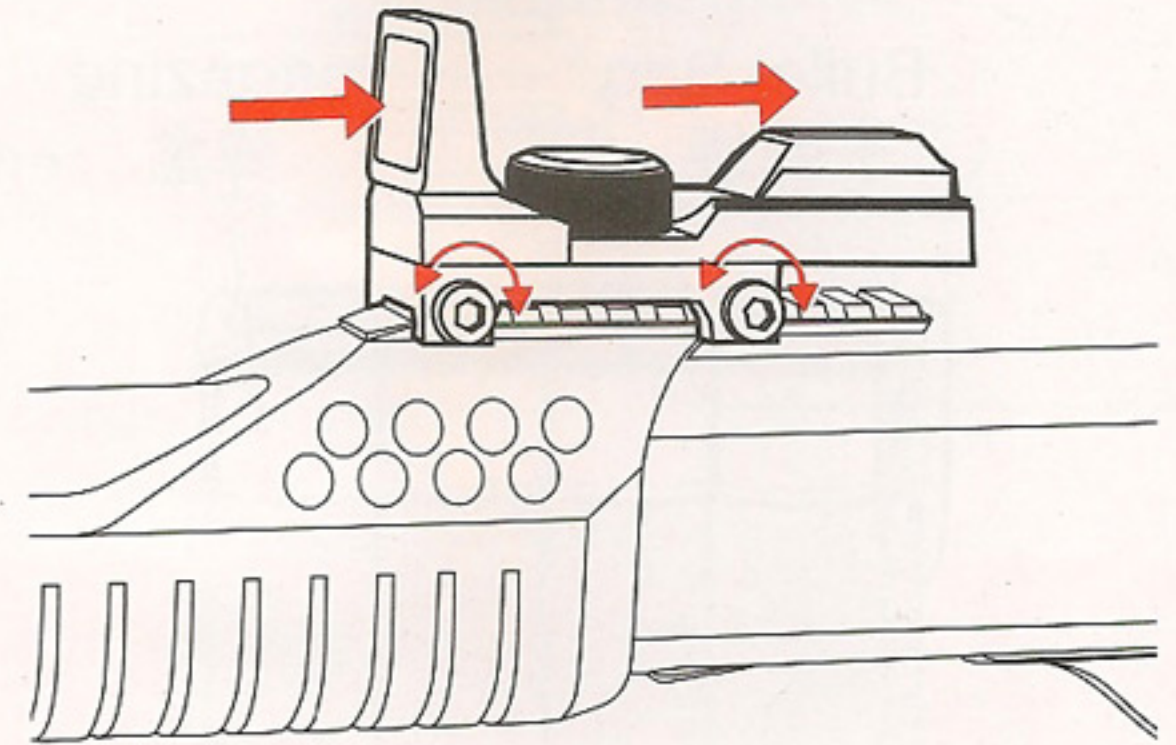
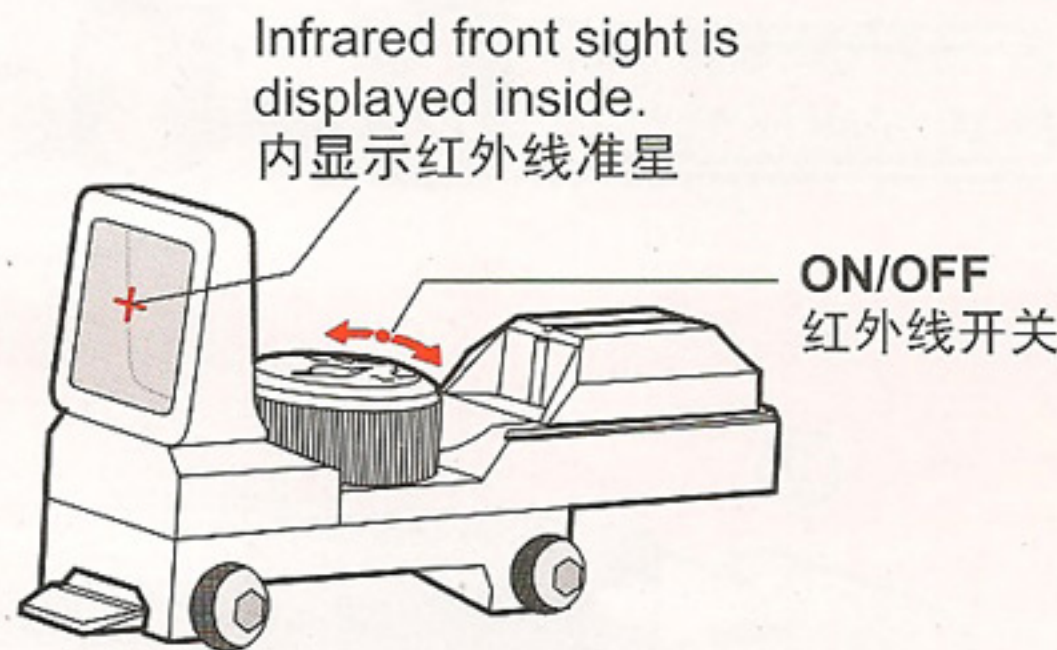
1. INSTALL EXTERNAL SET 安装外置套件

(For specific packing only)
(适用于特定包装)

● MOUNTING SIGHT* 装上瞄准镜*

When you mount this sight on a dovetail base gun, unscrew left mounting screw, slide the sight onto the dovetail and tighten it at proper position.

安装该镜时，先拧松左边固定螺丝，把瞄准镜基座卡入楔形槽，调节至适当位置并旋紧螺丝。

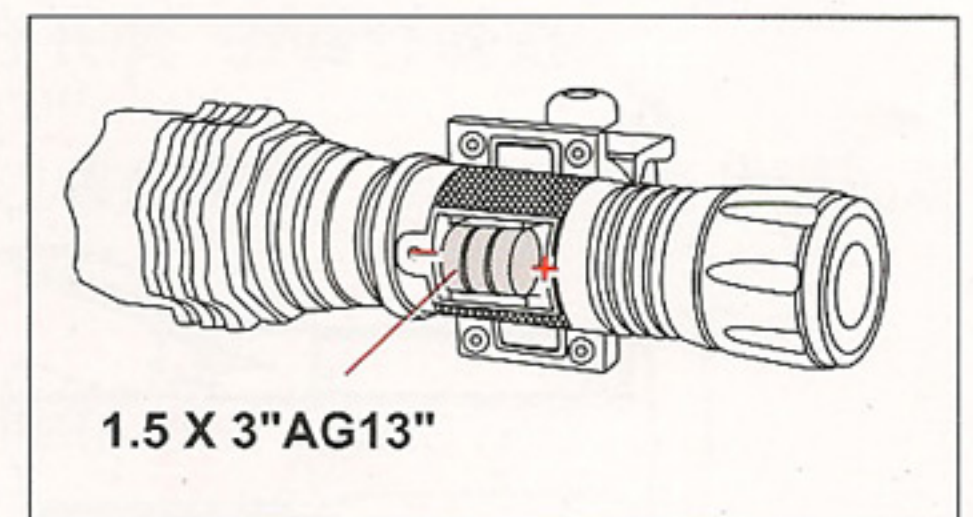
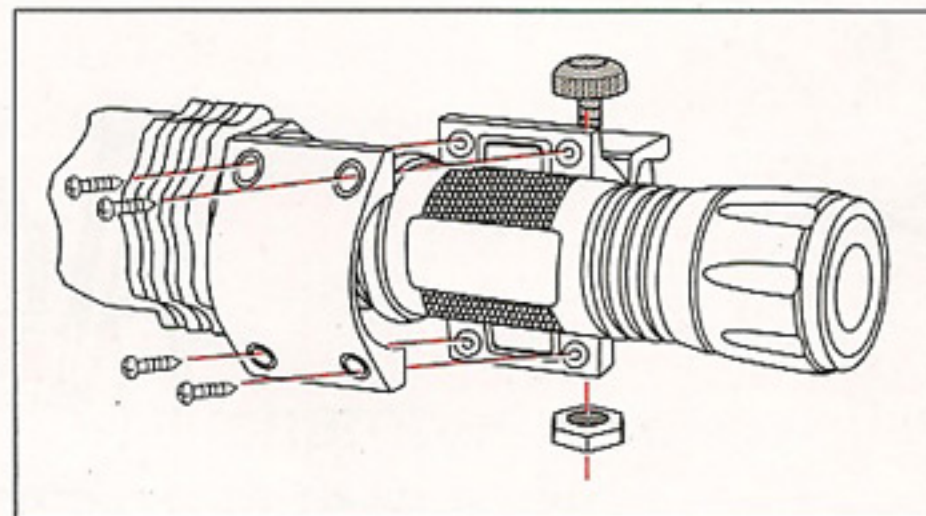
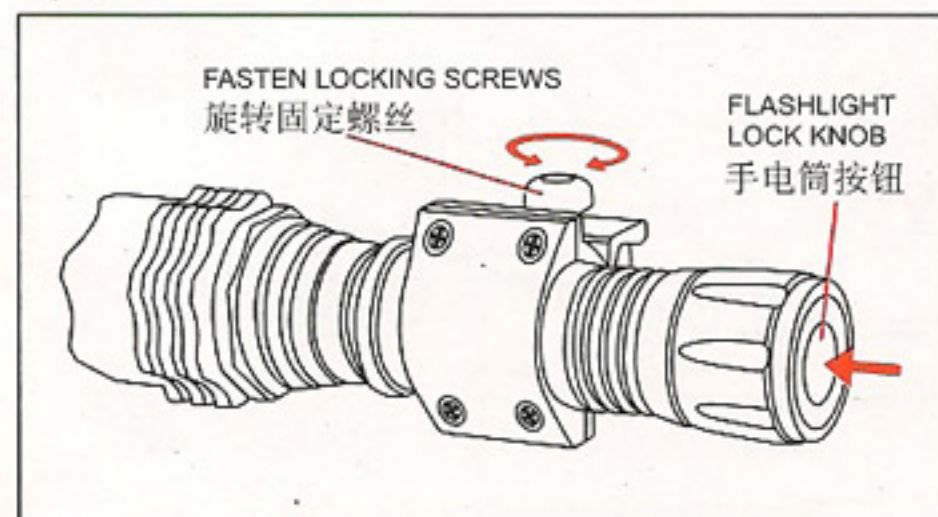


● MOUNTING FLASHLIGHT* 装上手电筒*

When you mount this flashlight on a dovetail base gun, unscrew right mounting screw, slide the flashlight onto the dovetail and tighten it at proper position.

安装该手电筒时，先拧松右边固定螺丝，把手电筒基座卡入楔形槽，调节至适当位置并旋紧螺丝。

INSTALL FLASHLING BATTERIES 手电筒电池安装



2. LOAD BULLETS 装子弹

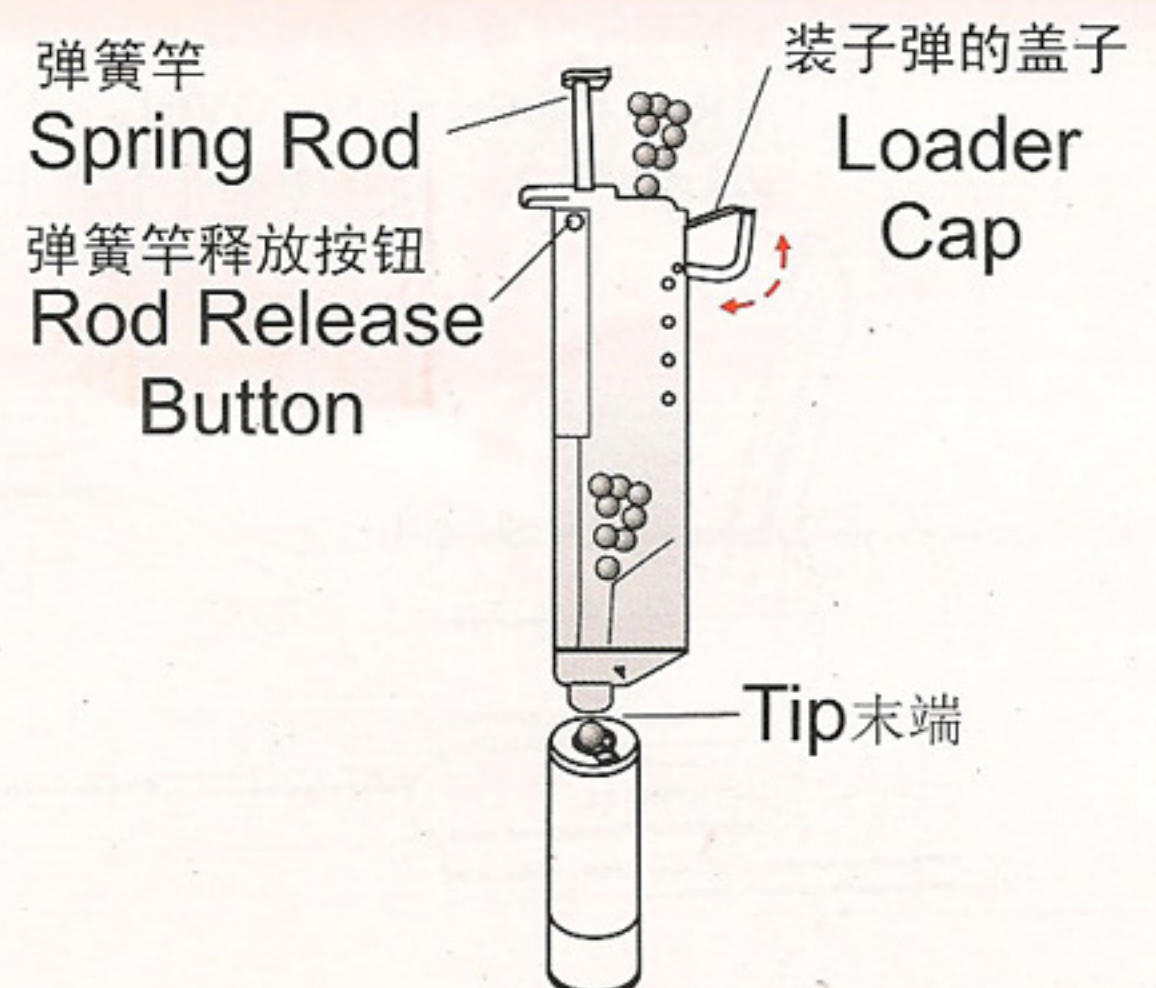
● LOAD BULLETS INTO LOADER

将BB子弹装到加弹器里面。

Open the Loader Cap. Insert 6mm pellets into the Loader.
打开加弹器的盖子，将6mmBB子弹装入加弹器。

Press the Rod Release Button to pull the Spring Rod to load the pellets into the magazine.

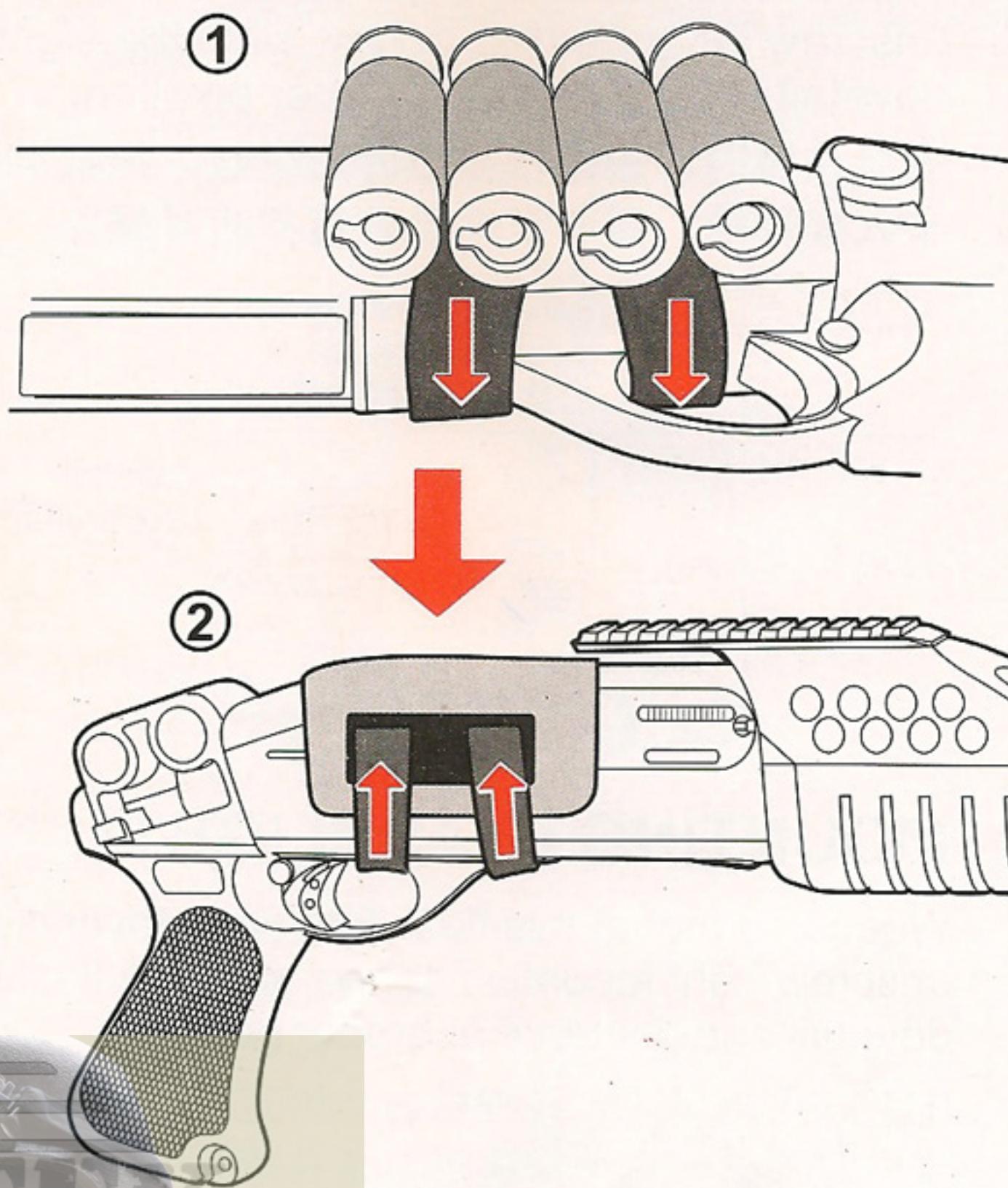
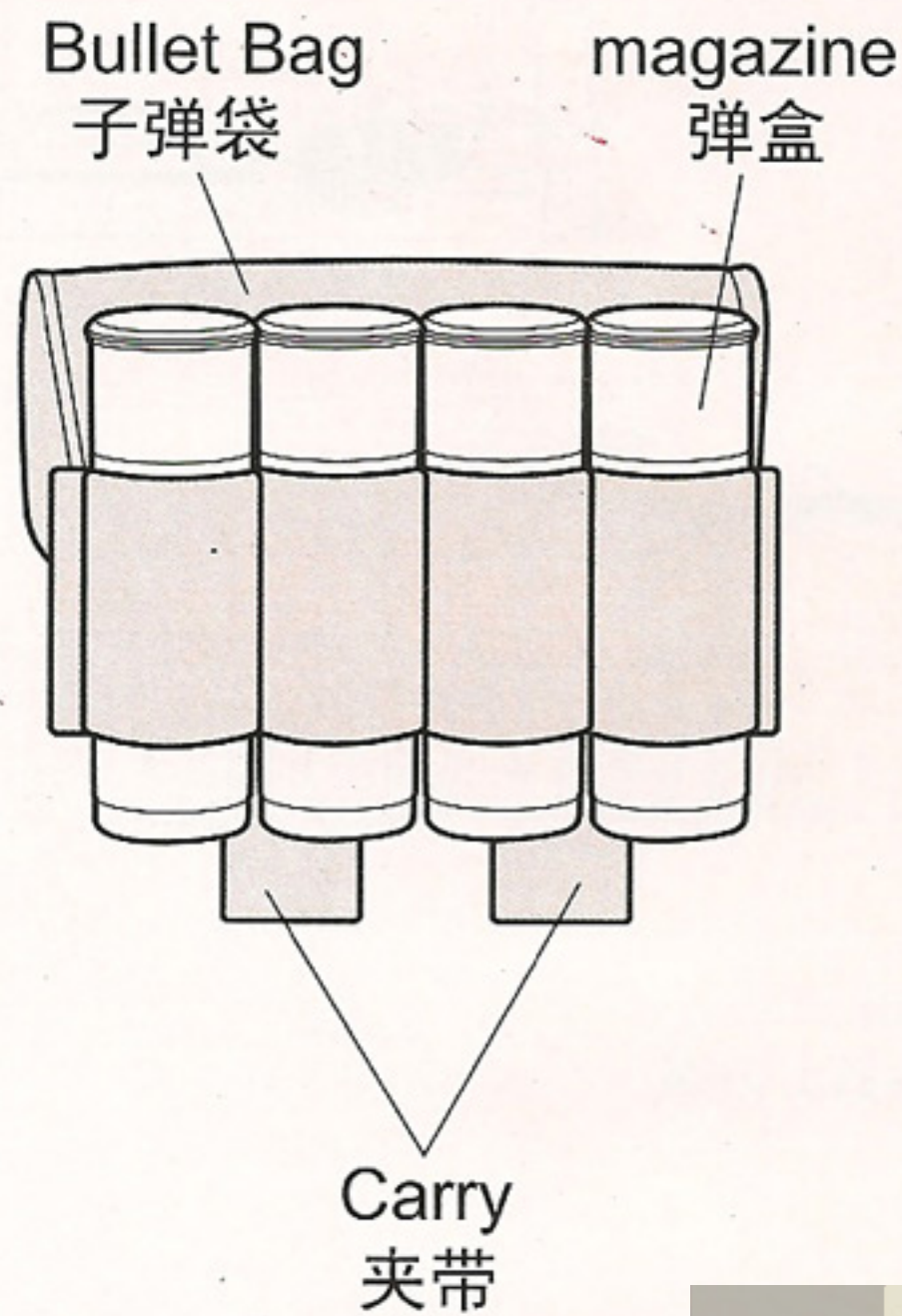
按住弹簧竿的按钮，按下弹簧竿将6mmBB子弹装进弹盒。



3. INSTALL BULLET BAG 安装子弹袋

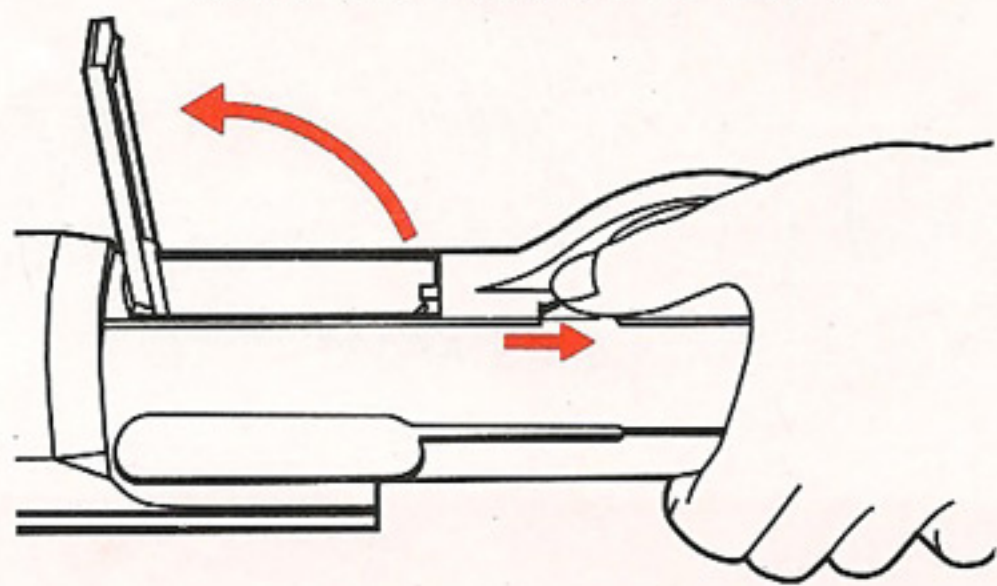
● **Install bullet bag**
安装子弹袋

According to the graph to install the bullet bag.
按照图解，正确安装子弹袋。

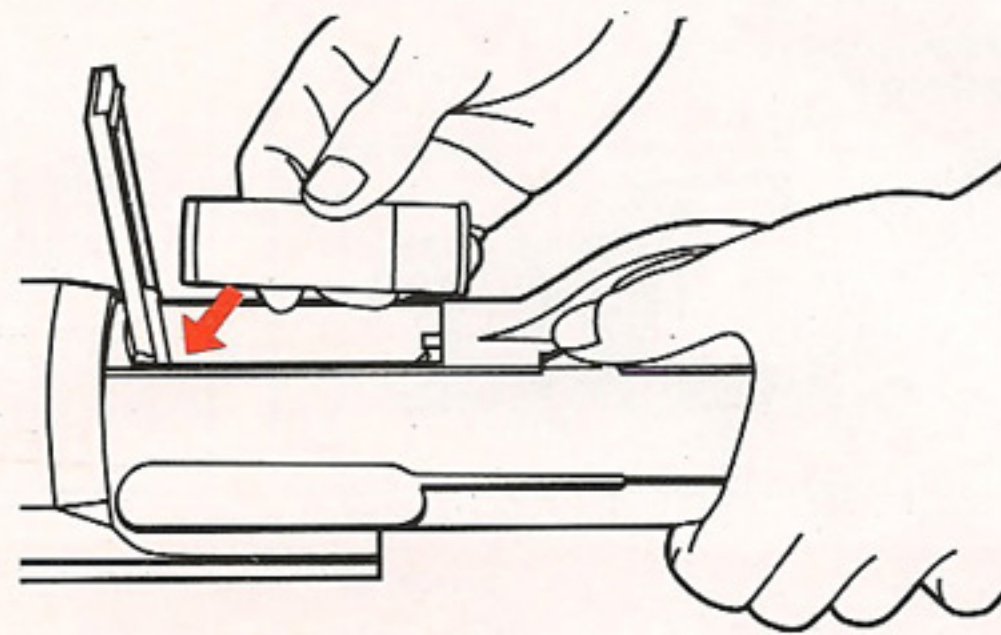


4. INSERT A MAGAZINE 装入弹盒

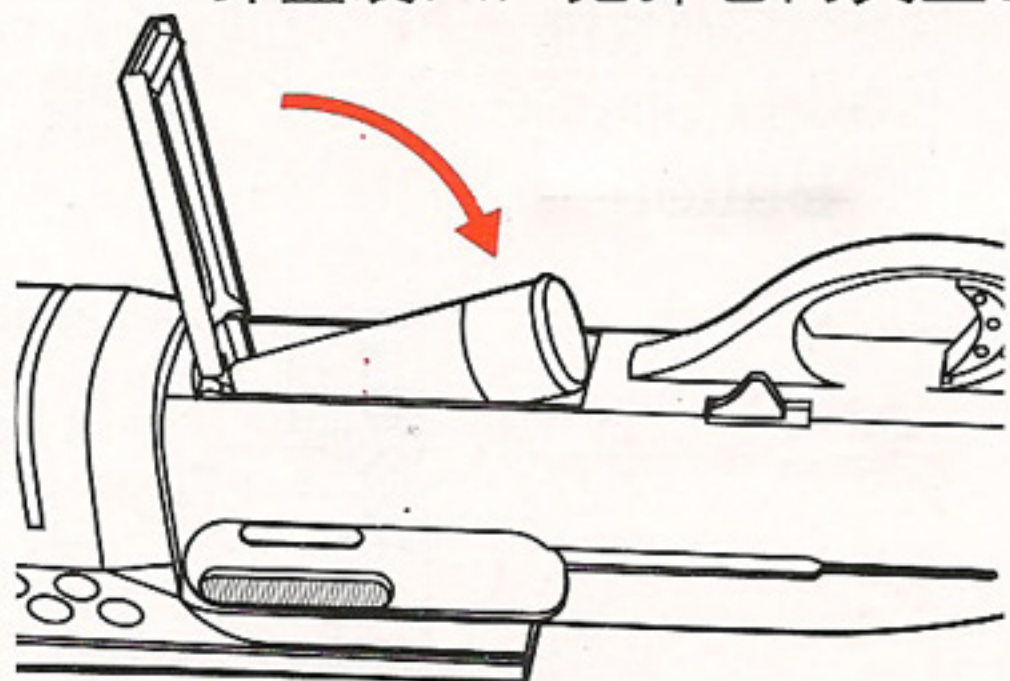
① Press the unloading button of bullet and eject the cover.
按弹仓卸钮，弹开仓门。



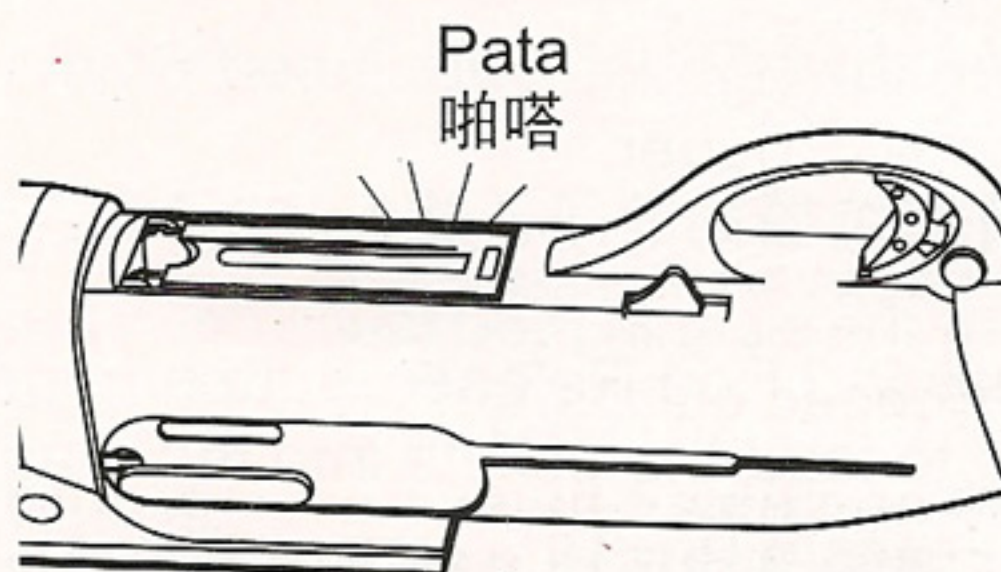
② Insert the magazine
装入弹盒。



③ Insert the magazine, and then close the cover.
弹盒装入，把弹仓门关上。



④ Affirm the cover has been firm closed.
要确认弹仓门关紧。



5. ADJUST VARIABLE HOP-UP

可调式HOP-UP调节

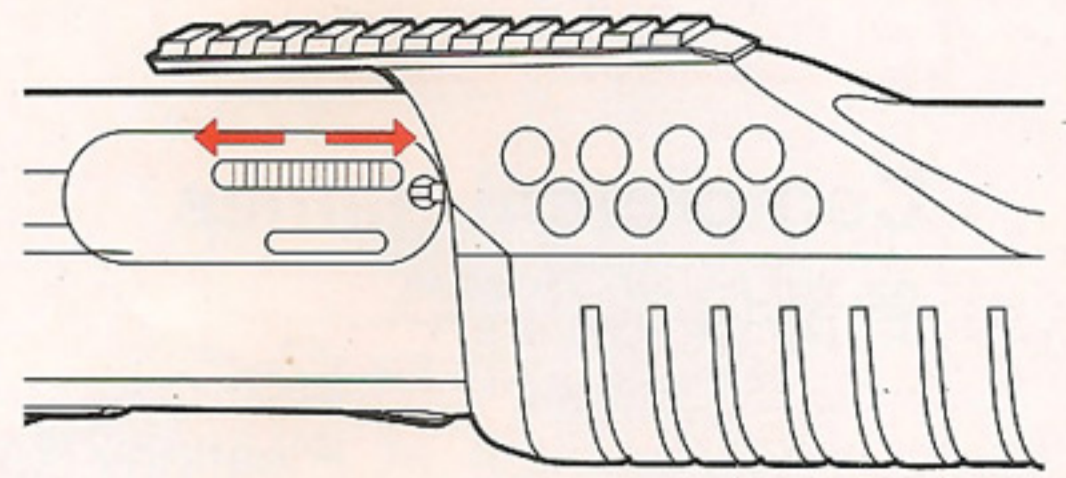
● Adjust variable Hop-up system for best shooting.

调节可调式HOP-UP系统以达到最佳射击效果。

Slightly slide the hop-up adjustment knob.
轻轻滑动HOP-UP调节钮。

Shoot a few bullets, exam the trajectory and make further adjustment if necessary.

把按钮向“HOP”方向滑动则射出BB弹微调向上，
把按钮向“Normal”方向滑动则射出BB弹微调向下。



6. CLEAN A BORE

清洁枪膛



Hold at the leading end of the rod and insert the rod into the barrel while turning the rod.

当棒最主要的末端插入筒里面的同时应该同时旋转棒。

It is difficult to insert the rod if you hold the rod at the end.

如果你把握住棒的末端，那你插入将会很困难。

※ Make sure to clean the barrel chamber whenever bullets are removed.

无论在任何时候清洁枪膛，应该确定枪膛里面没有子弹。

● Remove clogged bullets 卡弹处理

(1) Remove the magazine and return the hop up adjustment to the normal position.

如发生卡弹时，先卸下弹匣，将上翻弹（hop up）功能钮调至正常位置。

(2) Insert the cleaning rod from the load edge of the barrel, be careful so that the angled part of the cleaning rod faces down, and remove clogged bullets.

把清弹棒插入枪管，（清弹器斜面向下）。
子弹从弹盒插口退出。

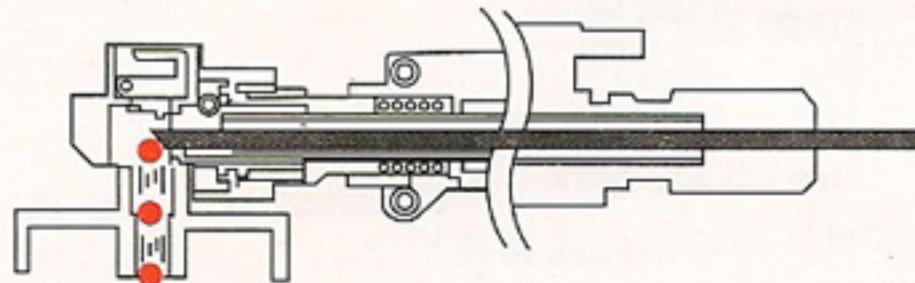


Warning! Always use precision ground 6mm BB bullets for accuracy and safety. Never re-use bullets.
警告! 务必使用优质BB弹以确保安全及准确度。

Fig.1
图1



Fig.2
图2

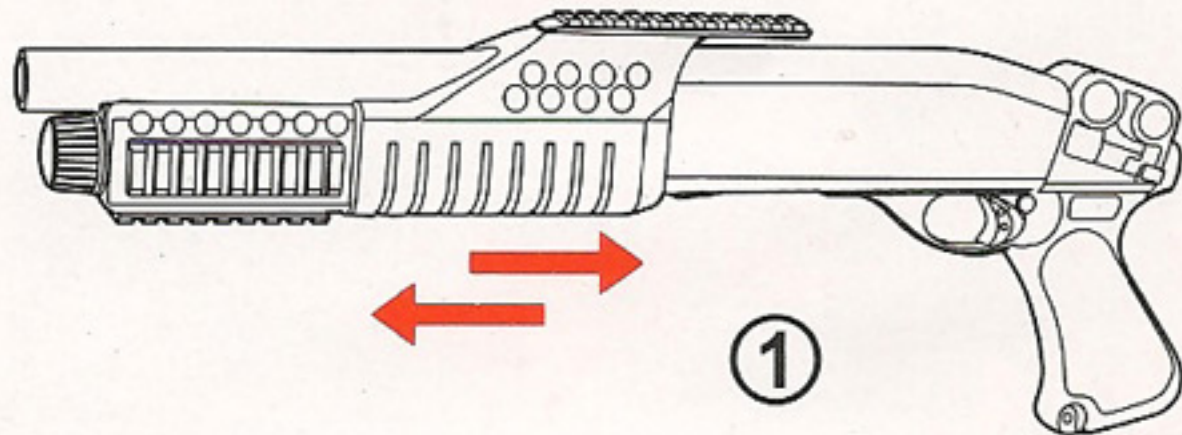


7. HOW TO SHOT 射击方法

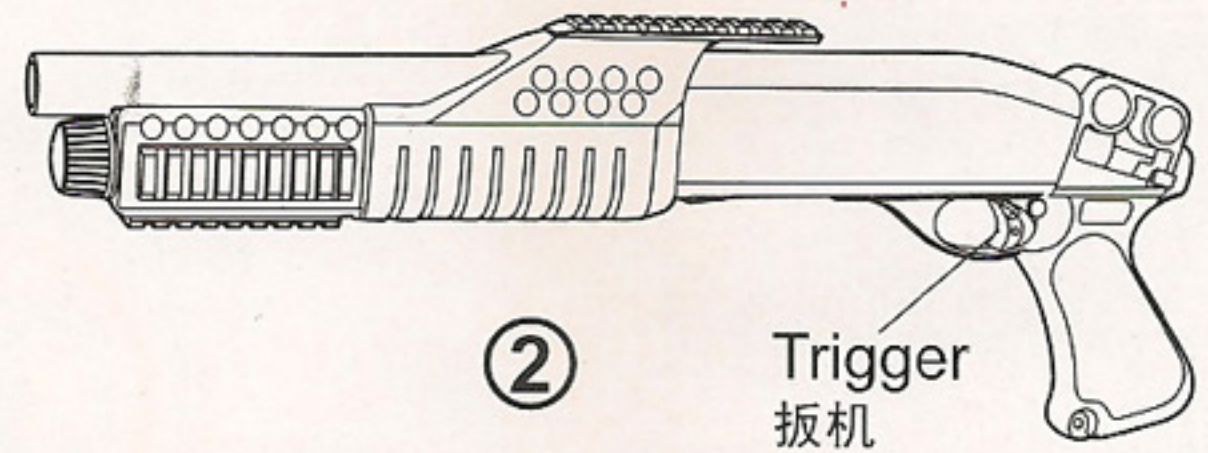
Shooting method 1:

射击方法1:

- ① Pull back forearm grip and return it absolutely.
向后拉前护握把把手并完全回位。

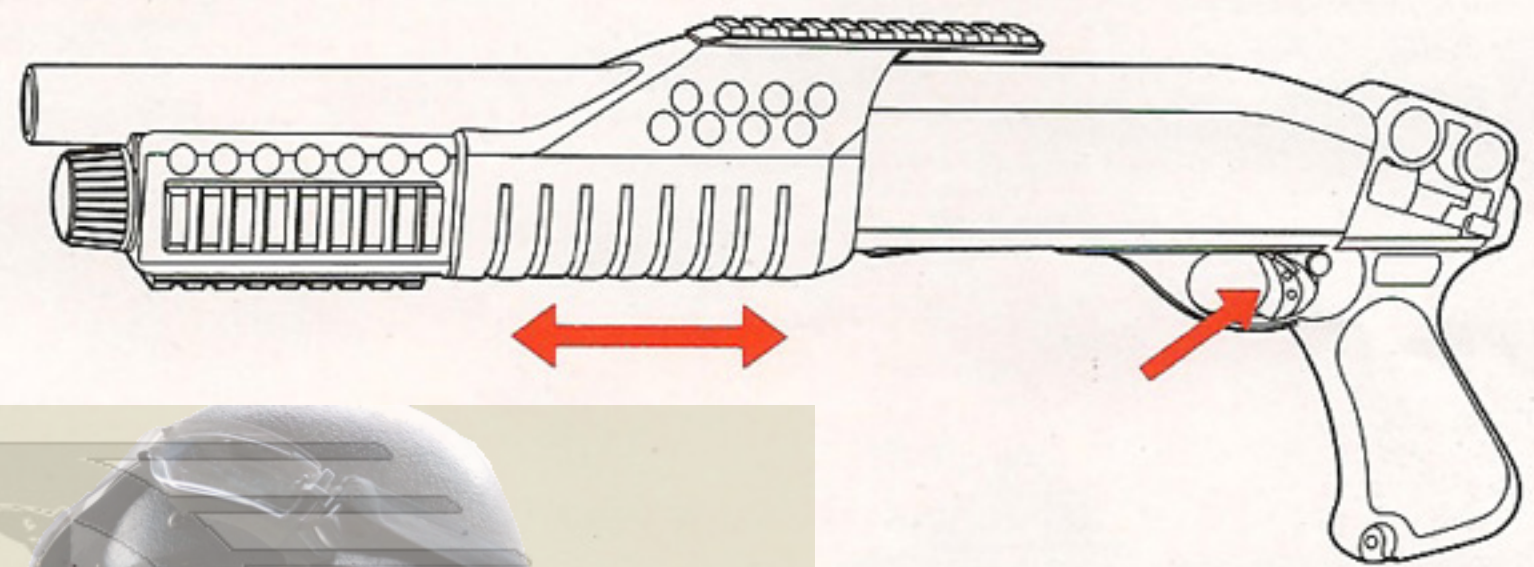


- ② Pull trigger to shoot.
拉动扳机射出子弹



Shooting method 2:

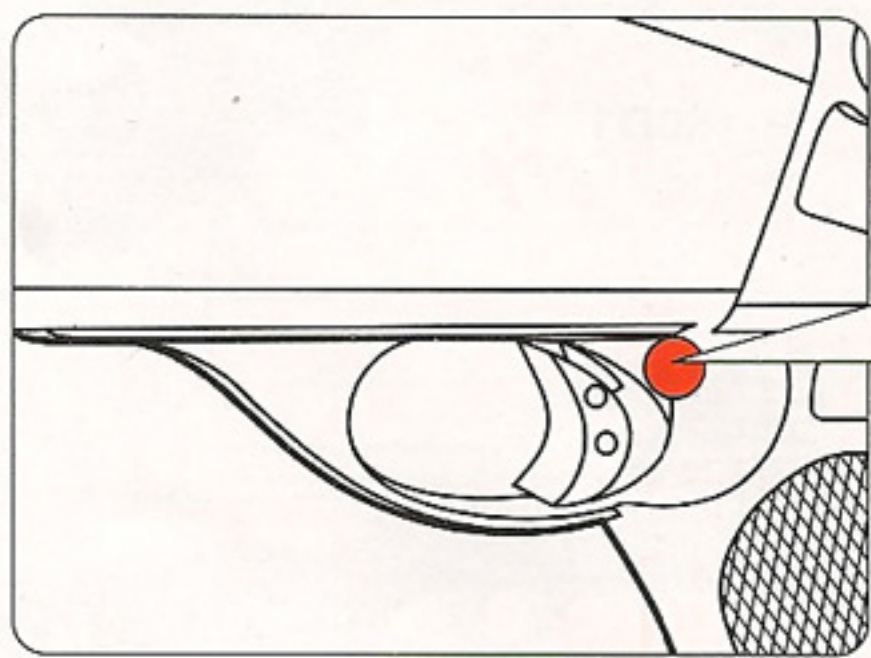
射击方法2:



RUNNING SHOOTING

连续射击

- Repeated operations of Forearm Grip as trigger pulled makes available running shooting.
按住扳机不放, 重复来回拉动前护握把把手, 则连续发射子弹。
- **SAFETY STATE MAKES TRIGGER BE LOCKED AND DO NOT ATTEMPT TO PULL TRIGGER BY FORCE UNDER THIS STATE.**
若处在安全状态, 则当按扳机时仍不能射击。



<Safety lock> 安全装置



Shooting position
射击状态



Safety position
安全状态

8. MAINTENANCE 养护

- Keep the in clean condition.
把枪支放置在清洁地方。
- Regularly clean the barrel with soft cleaning rod.
定期用洁净导棍清洁枪管。
- Never used dirty, damaged or distorted bullets.
禁止用脏污的, 受损的或劣质子弹。