

1

G33 系列各部名稱

G33 Series components



■ ICS-233-BK G33 Engineering Plastic



■ ICS-333 G33F Sportline

■ ICS-234-TAN G33 Engineering Plastic



■ IMT-333-1 G33F Sportline



■ ICS-235-Two-Tone G33 Engineering Plastic



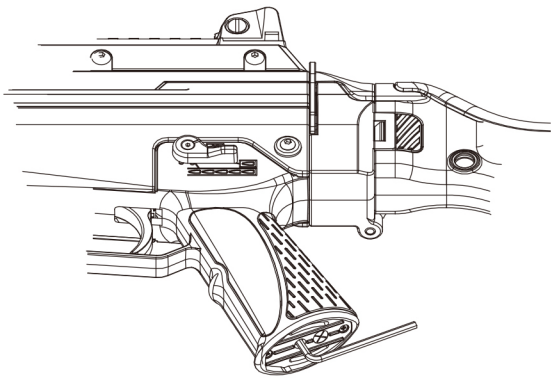
■ IMD-333-1 G33F Sportline



註：若您的電槍採用M100或以下規格的彈簧(初速低於360FPS或110m/s)，僅可使用電壓低於7.4V Li-Po 或 9.6V Ni-Mh的電池。
 Note: For AEG with M100 or below spring setting (velocity setting below 360FPS or 110m/s), it is recommended to use voltage below 7.4V Li-Po or 9.6V Ni-Mh batteries only.

2

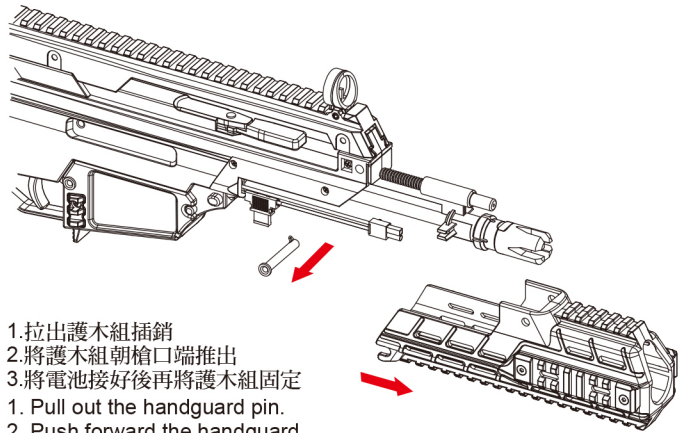
馬達間隙調整 Motor gap adjustment



使用4mm六角扳手來進行馬達傘齒間隙調整(出廠前已調整好)。
Use a 4mm Allen key to make the fine-tune adjustment when needed.
(Adjust if required, the adjustment has already been made from the original factory setting)

3

裝電池方法 Battery installation

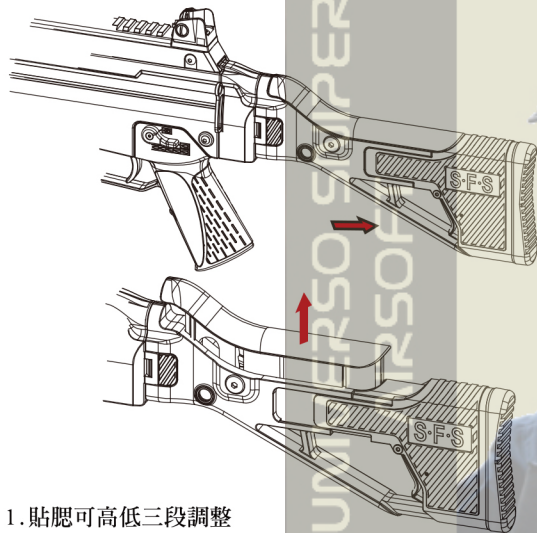


1. 拉出護木組插銷
 2. 將護木組朝槍口端推出
 3. 將電池接好後再將護木組固定
1. Pull out the handguard pin.
 2. Push forward the handguard.
 3. Install the battery then insert the handguard back.

4

後托折疊調整 Stock adjustment

A 長度與高度調整 Stock lengths and cheek rest heights adjustment



1. 貼腮可高低三段調整
2. 槍托底板可伸縮四段調整

1. Cheek piece can be adjusted in 3 different heights.
2. Stock pad is retractable in 4 different lengths.

B 折疊方式 Folding the stock

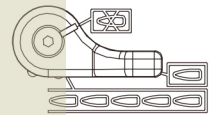


- 按壓槍托折疊鈕即可折疊
Press the stock catch to fold the stock.

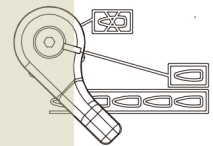
5

選擇射擊模式 Shooting Mode Setting

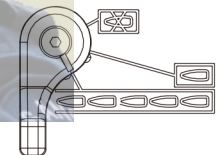
保險 Safety



單發 Semi Auto



連發 Full Auto



6

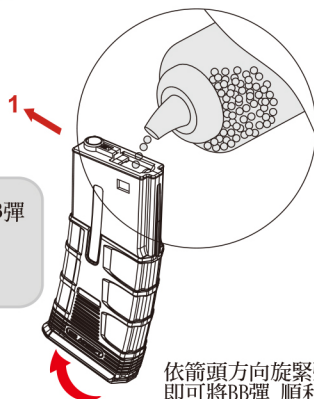
彈匣使用方式 Magazine attachment

6-1 裝BB彈方式 Load BBs

將彈匣上蓋依箭頭方向推開再倒入BB彈。

Open the cover to load BBs.

建議使用 ICS 6mm BB彈
ICS 6mm caliber BBs are recommended for optimum performance.

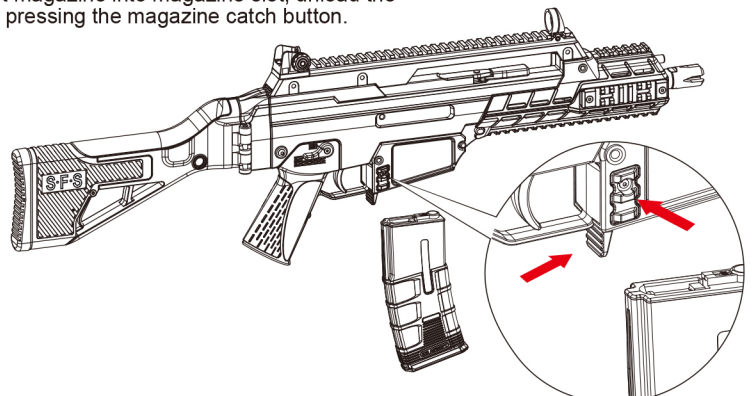


依箭頭方向旋緊彈匣底下旋鈕，即可將BB彈順利送出。
It only winds up one way by rolling the feed wheel forward.

6-2 裝卸彈匣 Magazine Loading and Unloading

裝卸彈匣 Magazine Loading and Unloading

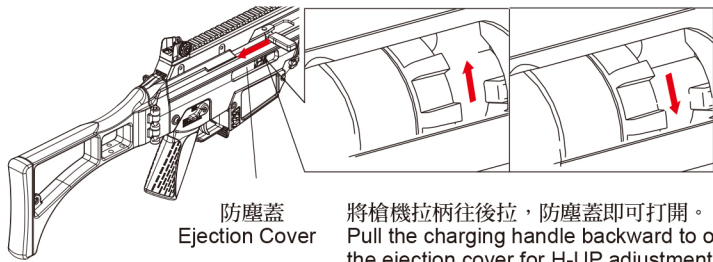
直接將彈匣插入槍身彈匣插槽；按下彈匣釋放鈕以卸除彈匣。
Directly insert magazine into magazine slot; unload the magazine by pressing the magazine catch button.



7

H-UP彈道調整 H-UP adjustment

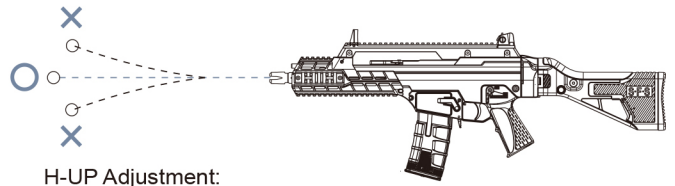
1. 調整撥盤向上使子彈下降
1. Rotate the dial counter-clockwise to make the pellet go down.
2. 調整撥盤向下使子彈上升
2. Rotate the dial clockwise to make the pellet go up.



防塵蓋
Ejection Cover

將槍機拉柄往後拉，防塵蓋即可打開。
Pull the charging handle backward to open the ejection cover for H-UP adjustment.

H-UP調整：
子彈過於上飄，請調整撥盤向上旋轉。子彈過於下墜，請調整撥盤向下旋轉。BB彈呈現一直線的彈道才是正確射法。

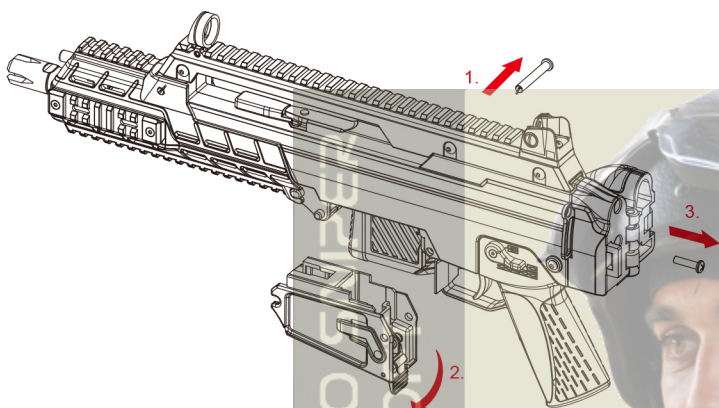


H-UP Adjustment:
When the BB pellet rises up, rotate the dial counter-clockwise to lower trajectory down. When the BB pellet falls down, rotate the dial clockwise to raise the trajectory up. Make sure the trajectory of BB pellet to be straight.

8

齒輪箱拆解 Disassemble gearbox

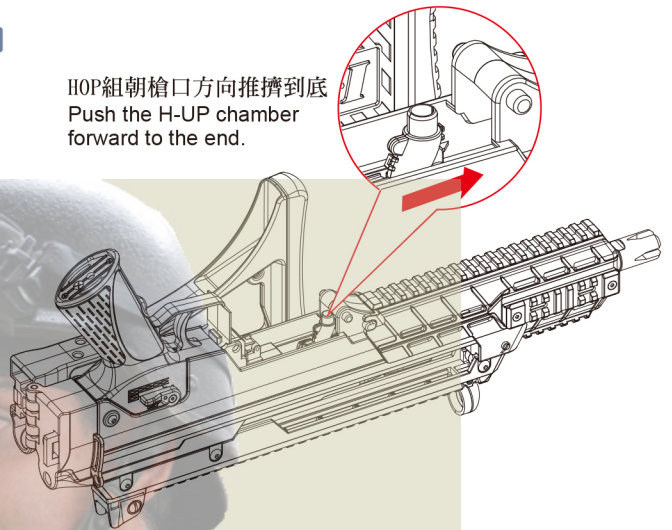
1



1. 取出槍身下蓋插銷，將下蓋取下
2. 折疊後槍托，旋開BOX固定螺絲
1. Pull out the magazine housing pin.
2. Remove the magazine housing.
3. Fold the stock, remove the gearbox fixing screw.

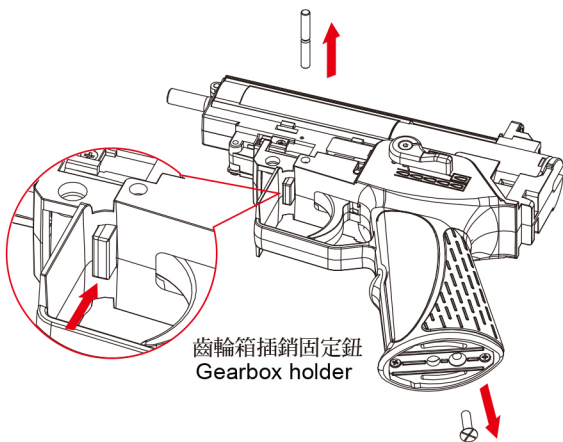
2

HOP組朝槍口方向推擠到底
Push the H-UP chamber forward to the end.



1. 將槍身反置，使握把朝上
2. H-UP組朝槍口方向推擠到底
3. 將握把朝反槍口方向推擠即可取出下槍身組
4. 在取出下槍身組時，需注意電線及保險絲組
1. Turn the AEG up side down.
2. Push the H-UP chamber forward to the end.
3. Push the pistol grip backward to pull out the fire control assembly.
4. Be careful with the wires and fuse when pulling out the fire control assembly.

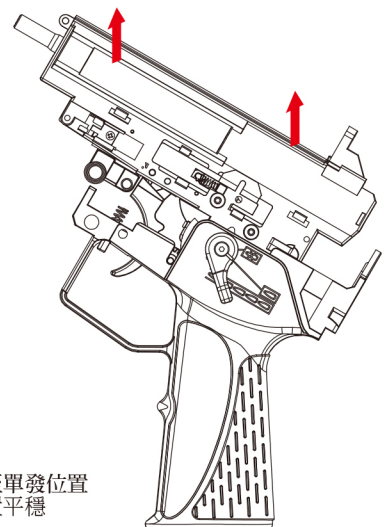
3



齒輪箱插銷固定鈕
Gearbox holder

1. 將握把底蓋中間之螺絲旋開
2. 將BOX插銷固定鈕壓入
3. 將BOX插銷取出
1. Take out the screw from the bottom of pistol grip.
2. Press the holder.
3. Take the pin out.

4



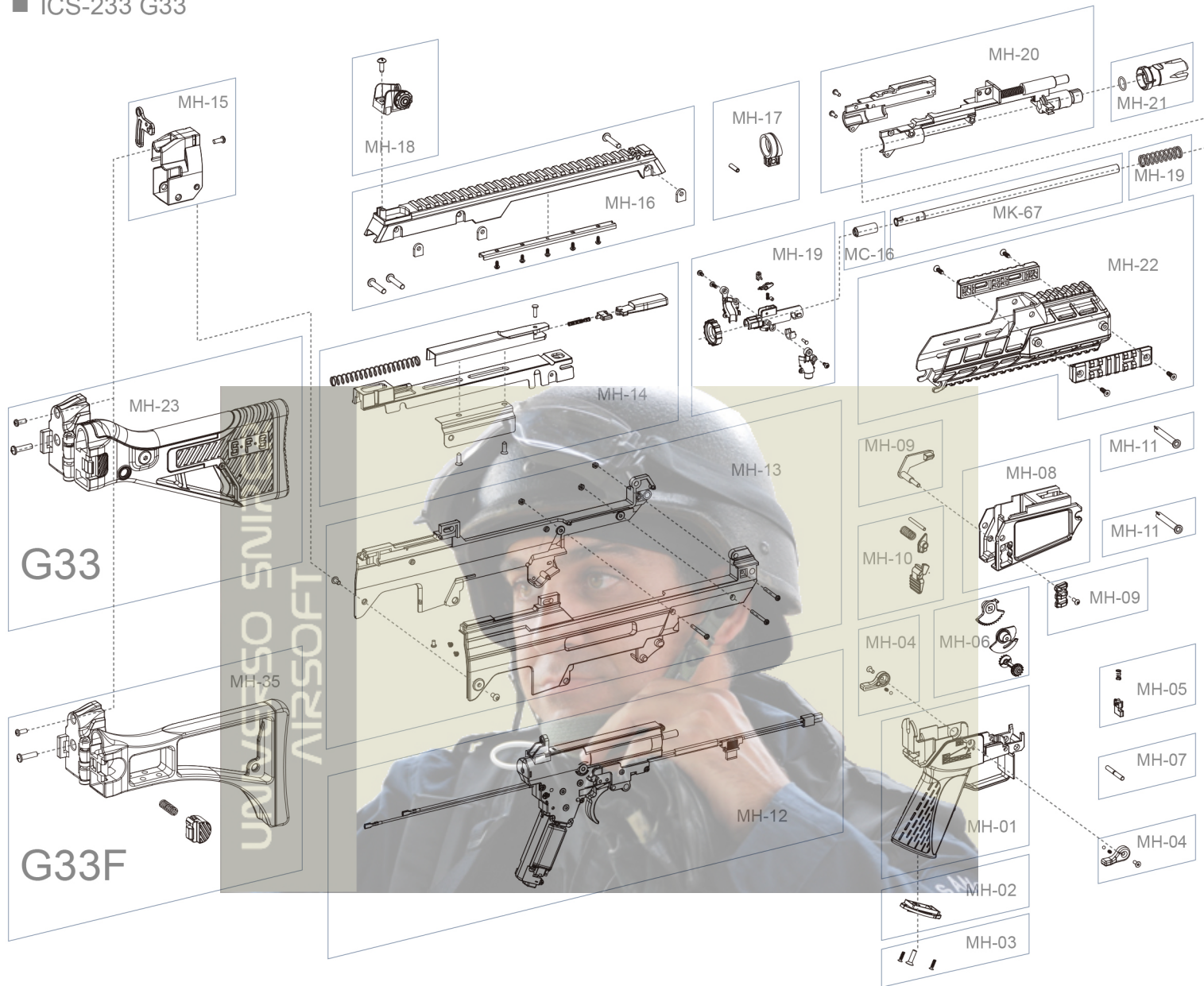
1. 將射擊選擇鈕切換至單發位置
2. 將握把底蓋朝下放置平穩
3. 緩緩將齒輪箱拉出
4. 拉出齒輪箱時請注意射選連動片位置
1. Switch the trigger contact switch to semi-auto mode.
2. Be careful with the trigger contact.
3. Slowly pull the gearbox out.
4. Be aware of the position of fire select plate.

9

各部零件說明 Description

ICS-233 G33

*每一款槍型基本配備不同依實際出貨為主。圖片僅供參考。
The components/accessories for each model may have kind of differences depending on the actual goods. Images are only for reference.



Patents acquired: D137321/ZL201030002113.8



WARNING 警告 電槍使用之注意事項 Maintenance

- 請勿使用回收及劣質的 BB 彈，以減少槍管損耗與避免卡彈的情形發生。
 - 如發現有卡彈的情形，應立即停止射擊，如卡彈後再勉強射擊，則會增加齒輪損耗。請使用內附通槍條，將卡彈清除後才可繼續使用。若完成通槍基本故障排除後仍無法使用時，請回原採購店家或專業經銷商尋求維修服務。
 - 使用前請先確定您的電池已充滿電，當使用中發覺電池即將用盡或射擊速度降低時，應立即更換電池。
 - 請定期使用通槍條清潔槍管，以保持槍支射擊時的準確性及減少卡彈的情形發生。
 - 請勿經常空槍射擊，以減少BOX及齒輪不必要的損耗。
- Do not use recycle or low quality BB pellets to reduce the barrel damage and prevent from jams.
 - When a BB pellet is jammed, cease fire immediately. Firing under jam may cause damage on gears. Please use the cleaning rod that came with your airsoft gun to push it into the barrel by moving down gently until the jammed BB pellet comes out. If the jam still cannot be solved, please contact your original purchase retailer or ask for professional agent for repair service.
 - Please make sure the battery is fully charged before using. When the battery is run out or firing speed is decreasing, new battery has to be replaced immediately.
 - Please use cleaning rod periodically to clean the barrel to ensure the firing precision and reduce jam.
 - Do not dry fire the airsoft gun at any time to reduce damage to the gearbox.
- Note: No need to remove the barrel when eliminating jam.
- 使用前請務必詳閱此說明書限18歲以上使用
Always read through this manual before operation.
User restricted to 18 years of age or older.



WWW.ICSBBS.COM