

1 CES系列各部名稱 CES Series component names



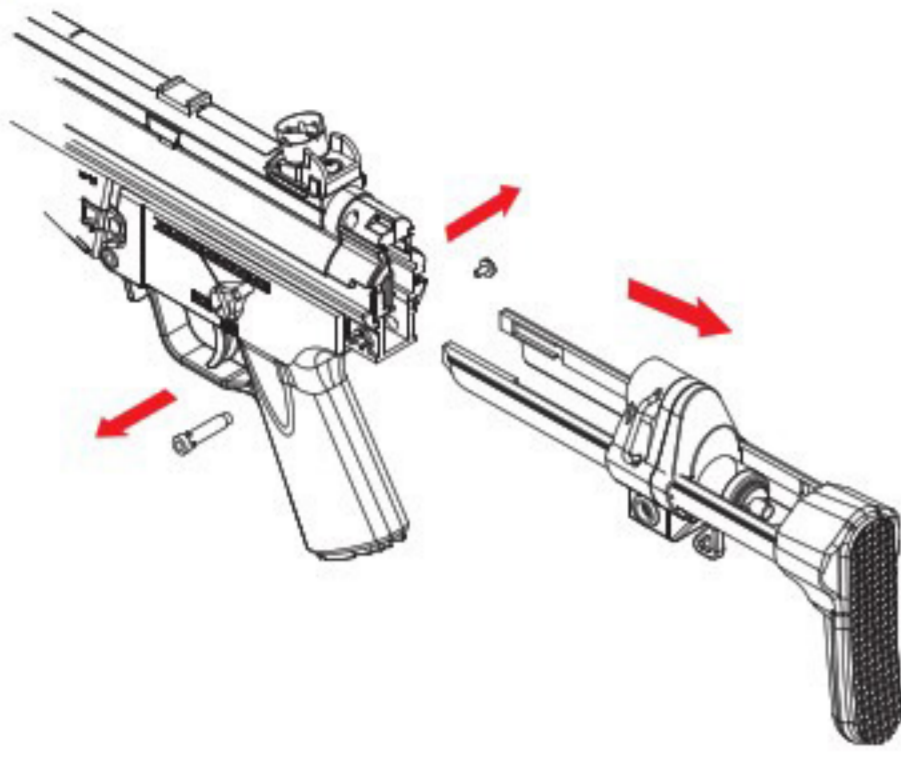
ICS-17/65 Proline / Sportline



2

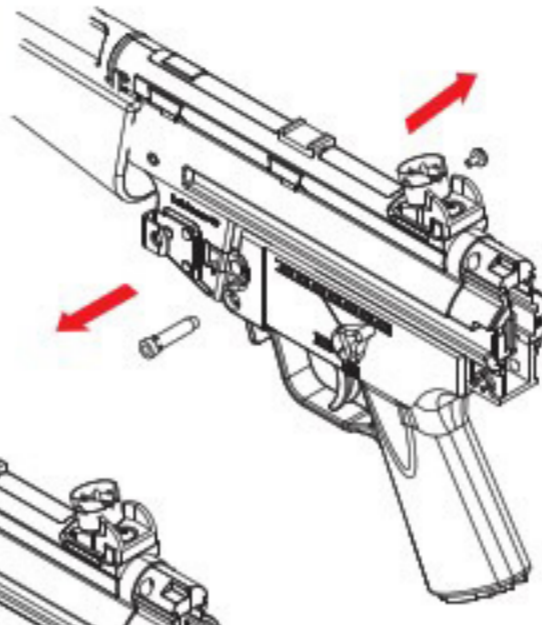
齒輪箱拆解 Disassemble Gear-box

1

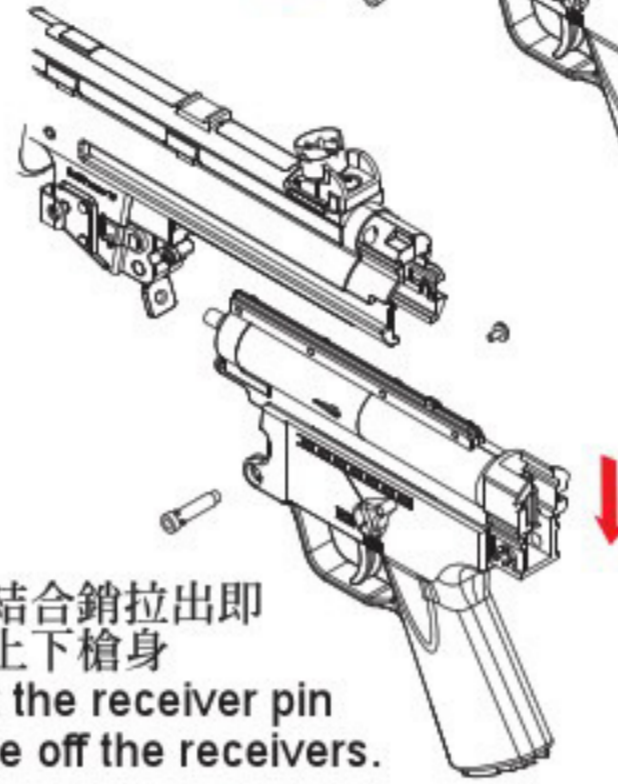


將槍身結合銷拉出後再把伸縮托整組拉出
Pull out the receiver pin
Pull out the retractable stock.

2

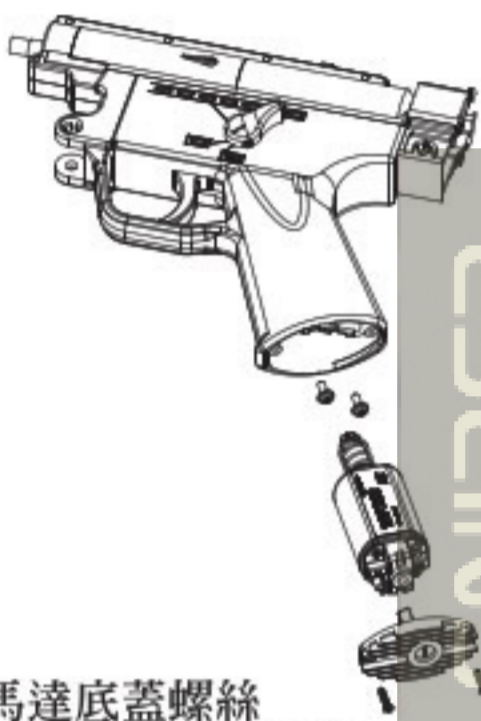


3



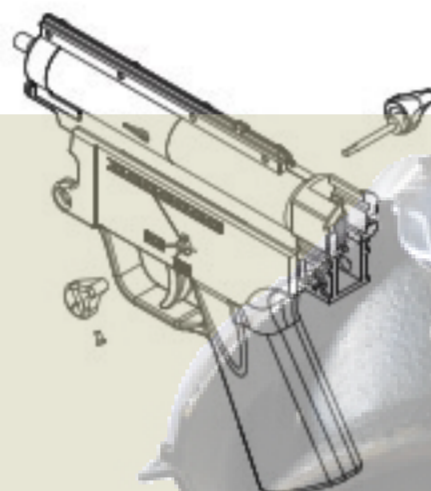
把槍身結合銷拉出即可分離上下槍身
Pull out the receiver pin
and take off the receivers.

4



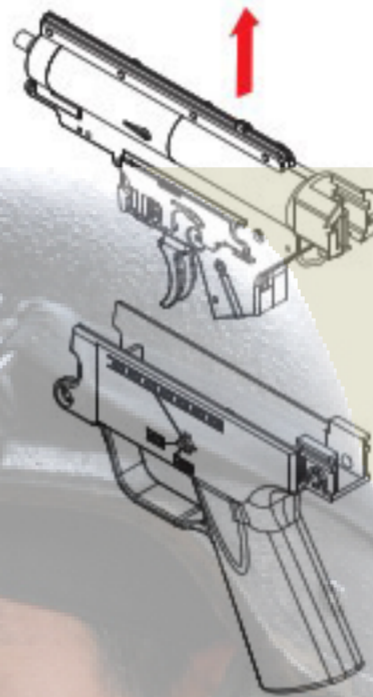
旋開馬達底蓋螺絲
把馬達底蓋及馬達卸下
Loose the motor plate screw
take off the motor plate and motor.

5



旋開選擇鈕螺絲再把選擇鈕卸下
把另一側選擇鈕彈簧及固定座依序卸下
Loose the fire selector screw
and take off the fire selector.
Take off the fire selector spring and
the mount on the other side.

6

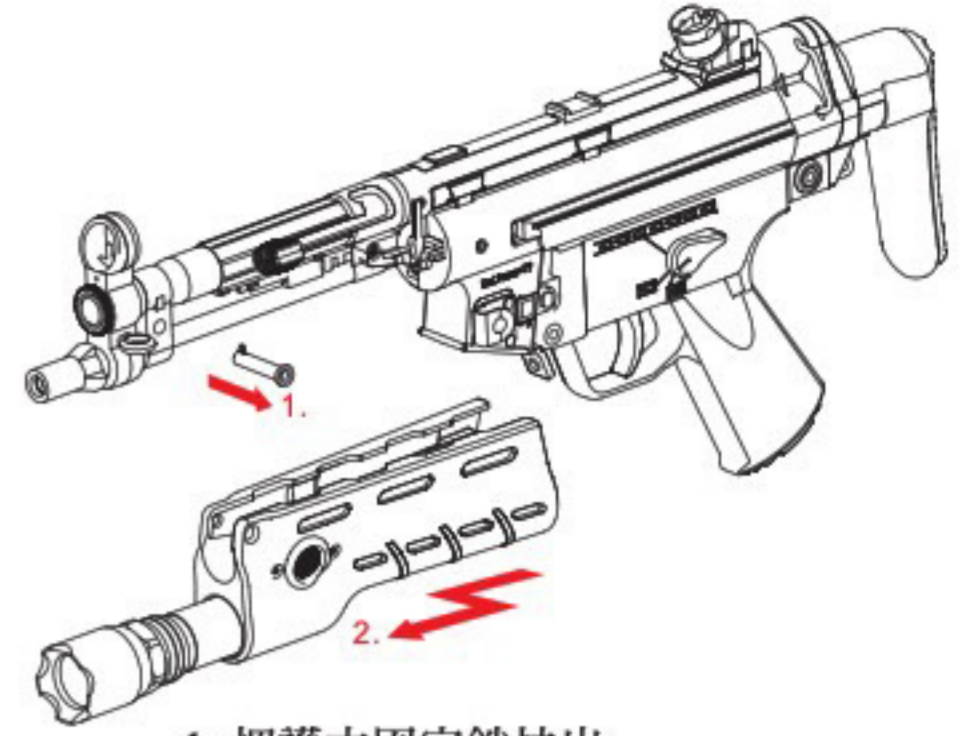


將下Box抽出
Pull out the
lower gear box.

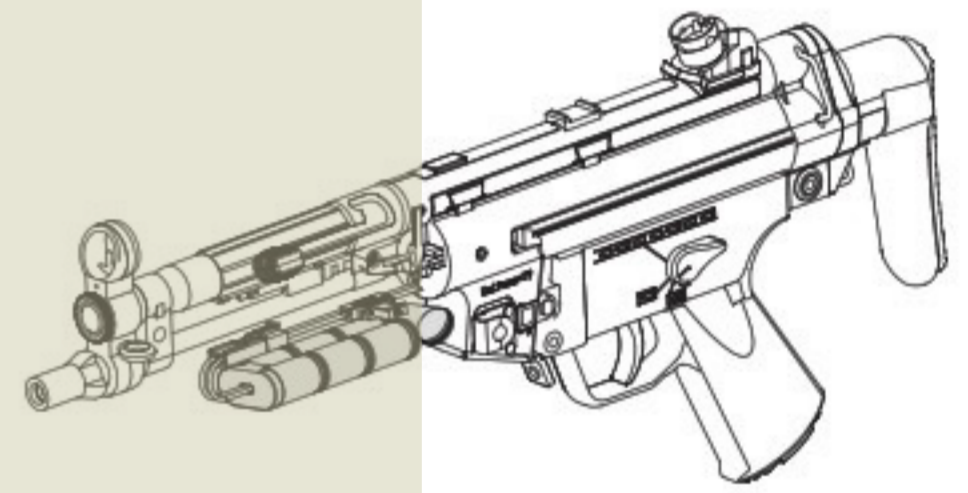
3

裝電池方法 Battery fitting method

3-1

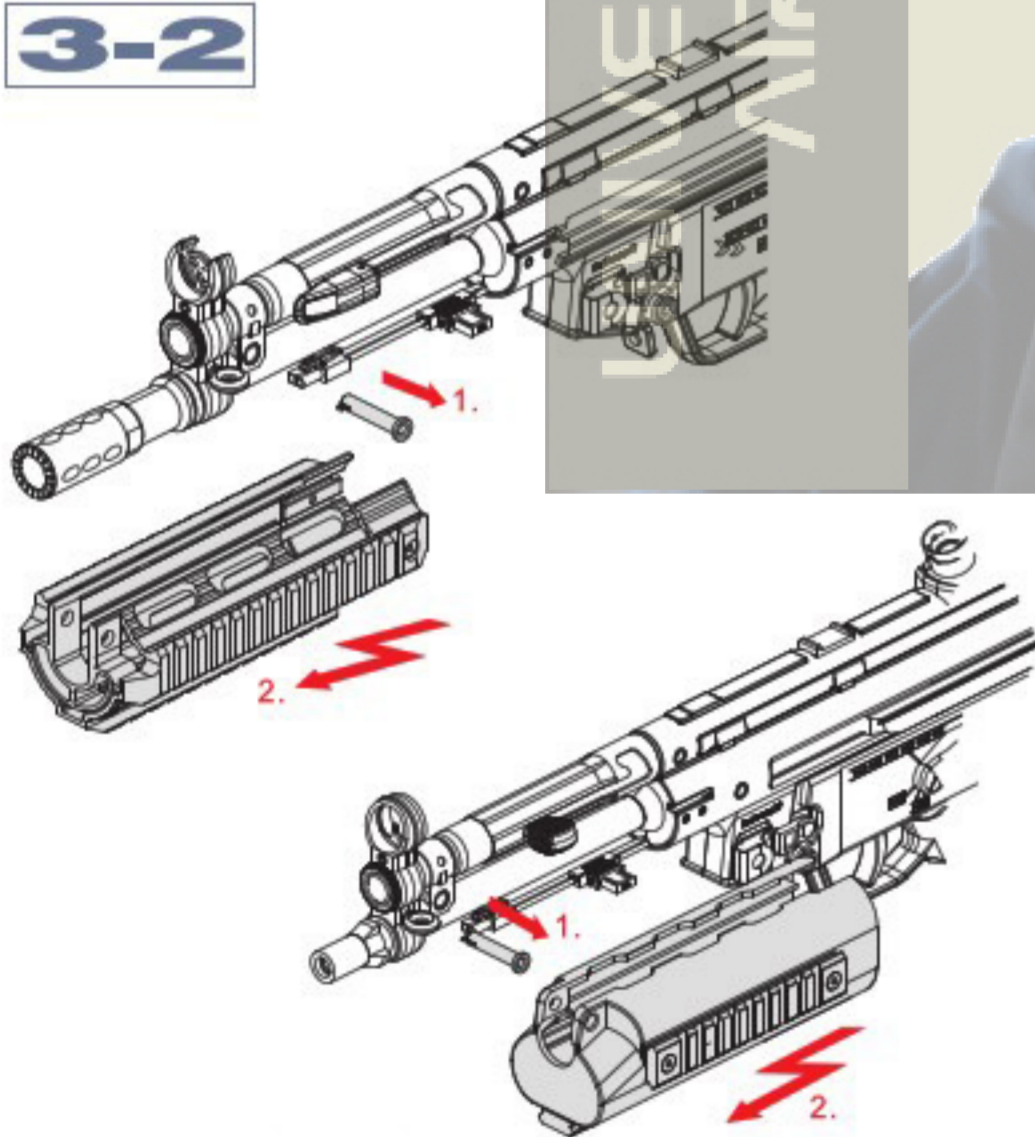


1. 把護木固定銷拉出
2. 再把護木取下
1.Pull out the handguard pin.
2.Take off the handguard.



將電池接頭接好後再把護木固定
Plug in the battery and assemble
the handguard.

3-2



1. 把護木固定銷拉出
2. 再把護木取下
1.Pull out the handguard pin.
2.Take off the handguard.

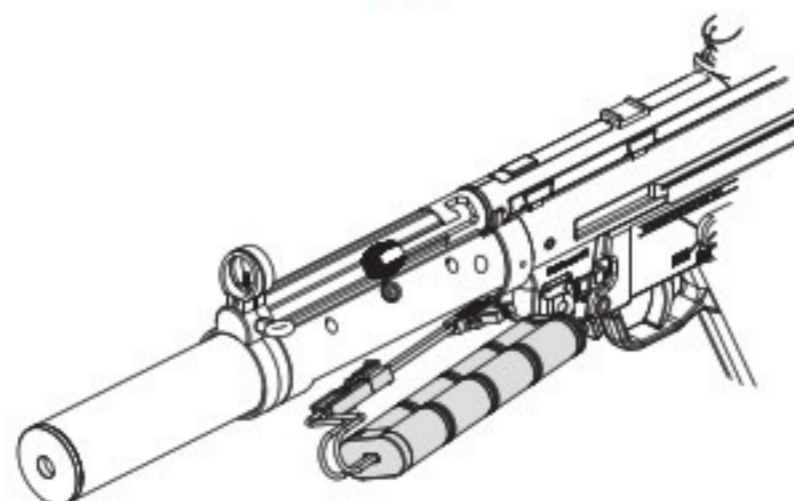


將電池接頭接好後再把護木固定
Plug in the battery and assemble the handguard.

3-3

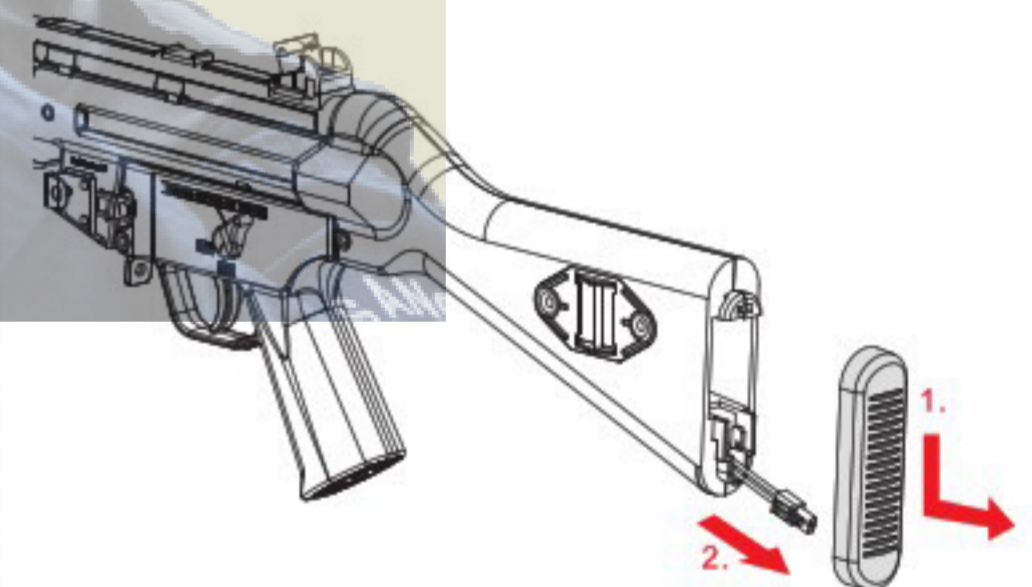


1. 把護木固定銷拉出
2. 再把護木取下
1.Pull out the handguard pin.
2.Take off the handguard.

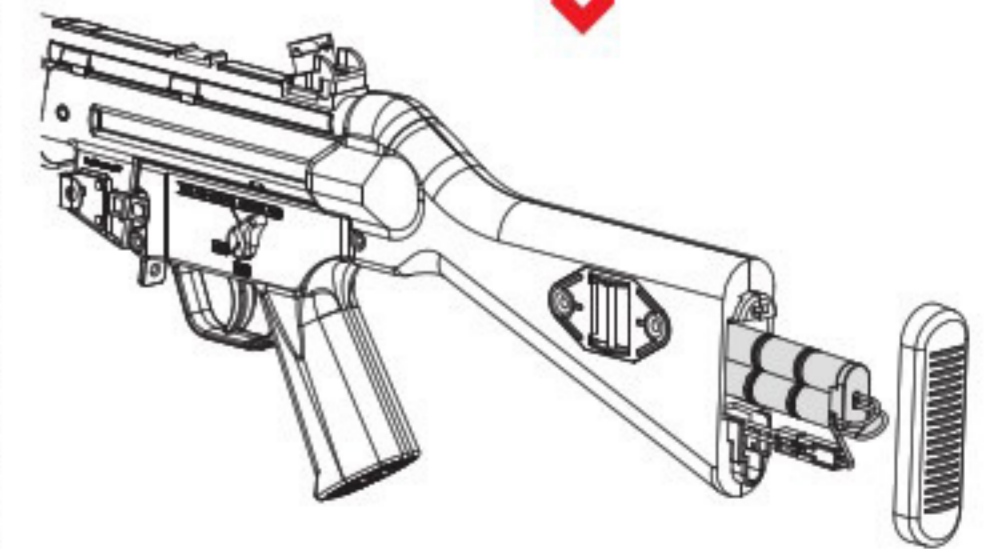


將電池接頭接好後再把護木固定
Plug in the battery and assemble
the handguard.

3-4



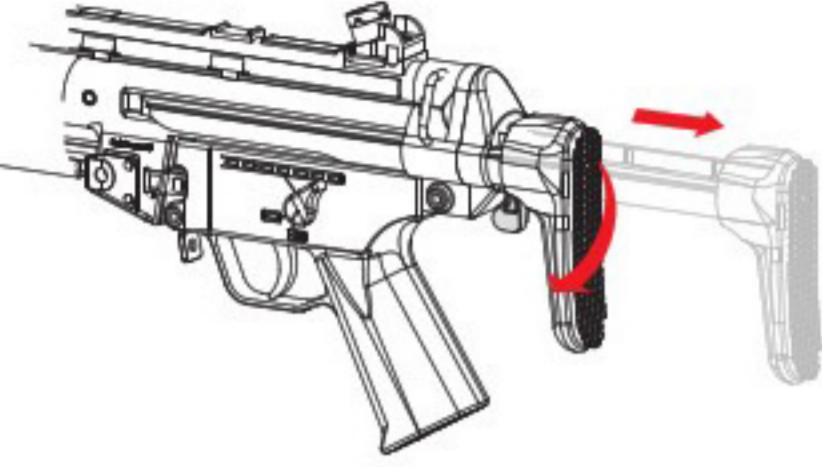
1. 把槍托底板向下壓後再拉出
2. 電池接頭向外拉出
1.Pull down the butt plate and pull out
2.Pull out the plug.



將電池接頭接好後放入槍托內再把槍托底板固定
Plug in the battery, put the battery into the fixed
stock, and assemble the butt plate.

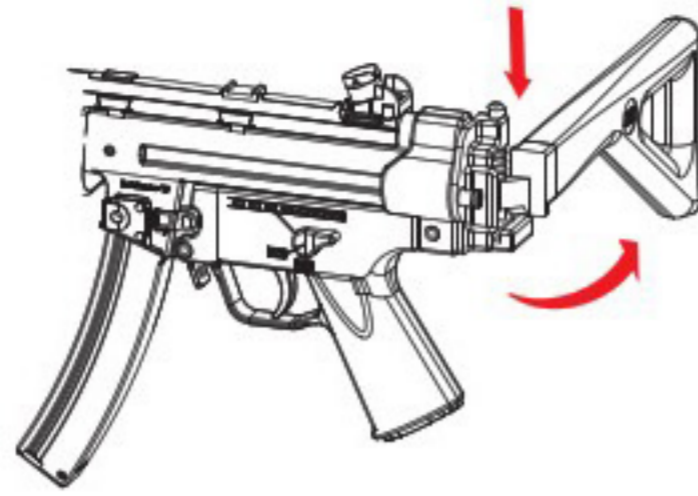
4 後托調整 Stock adjustment

4-1 Retractable stock 伸縮托調整



把撥桿向外撥伸縮托可向後拉
Push the switch outward and pull the retractable stock.

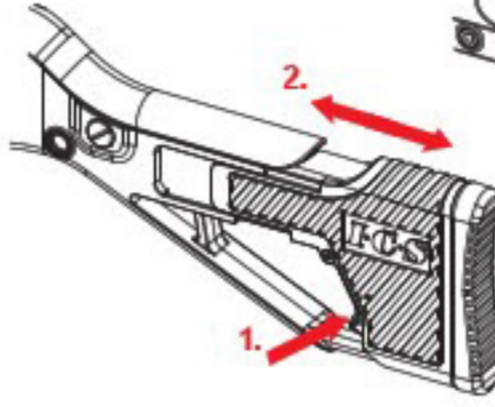
4-2 Folding stock 折疊托調整



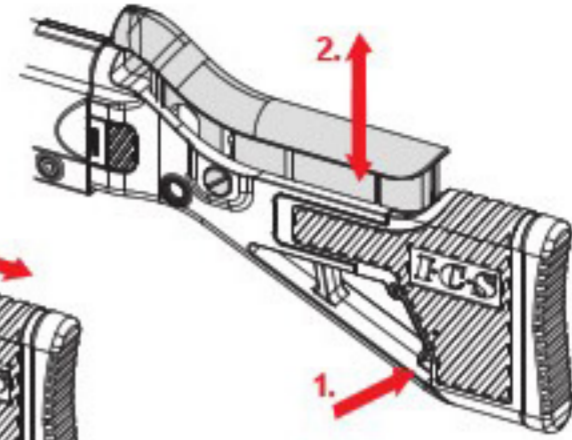
按壓槍托卡榫即可折疊
Push the butt catch and fold the stock

4-3 S.F.S stock 狙擊折疊托調整

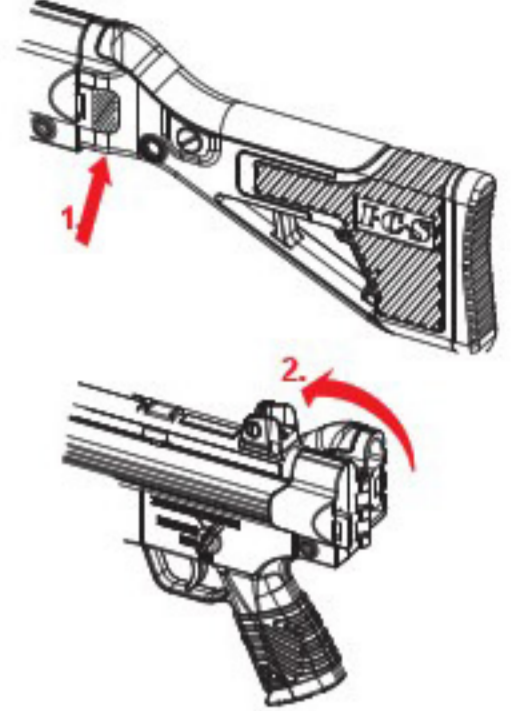
A 長度調整
Stock lengths adjustment



B 高度調整
Check rest heights adjustment



C 折疊方式
Adjust the stock



5 H-UP彈道調整 H-UP adjustment

Push the trajectory adjustor to low position.

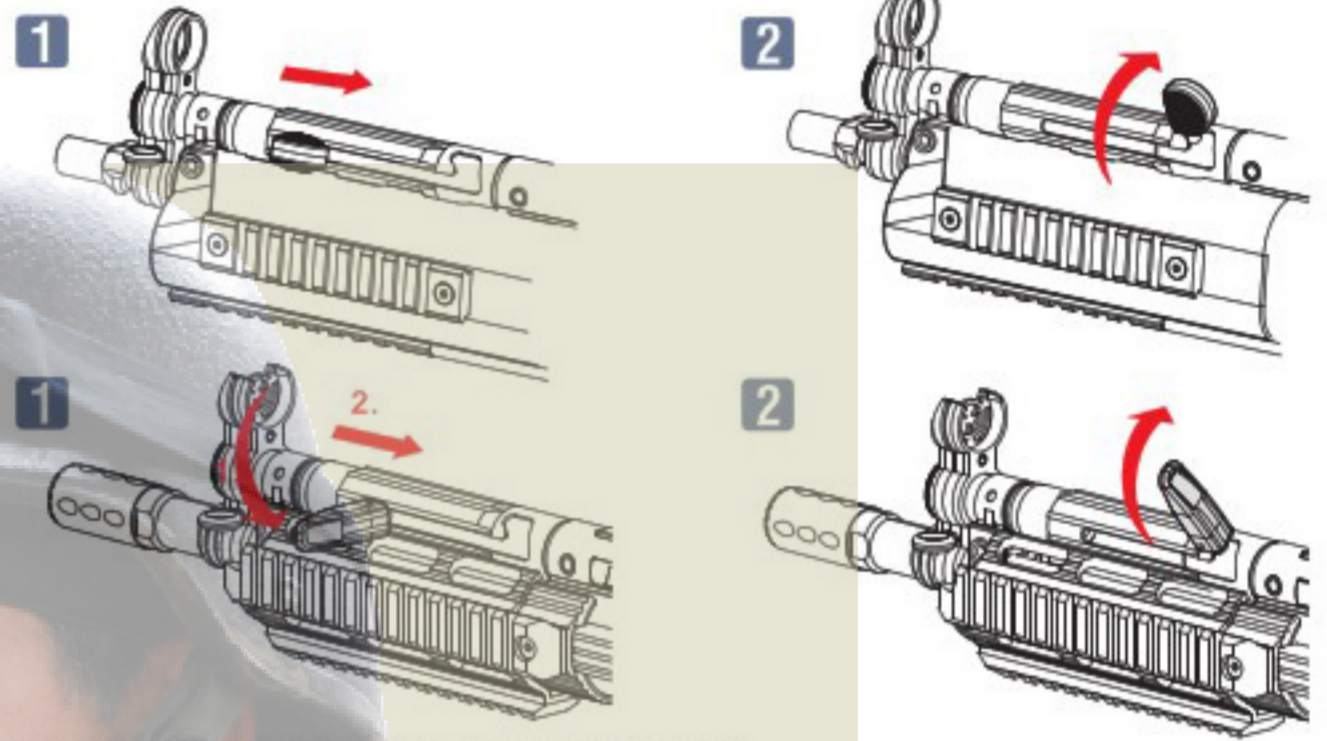
BB彈如果往上飄調整桿請往後拉
BB彈如果往下墜調整桿請往前推

Switch the firing

Selector on full auto position and fire.
Siowly adjust the trajectory adjustor for the best shooting trajectory.



6 可動部的說明 Movable parts

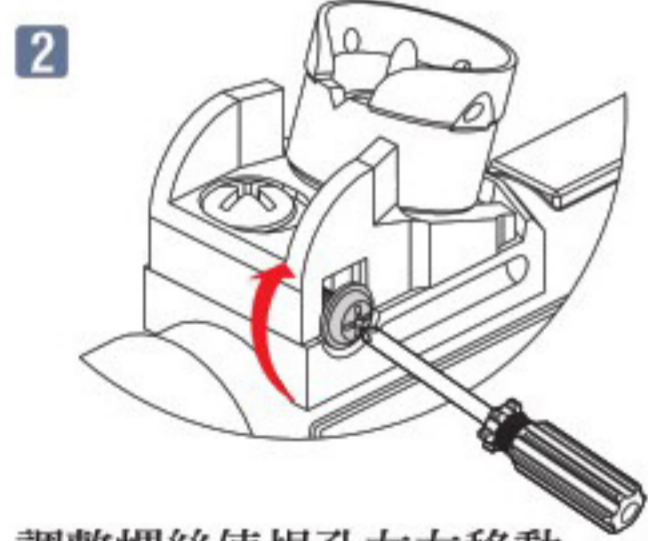


拉柄頭向後拉可將拉柄頭向上拉並固定
Pull back the charging handle and pull up the charging handle to fix it.

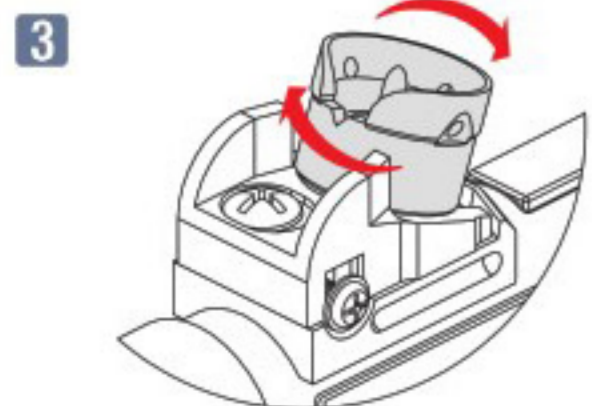
7 規孔調整方式 Rear sight adjustments



把螺絲旋開
Loose the screw

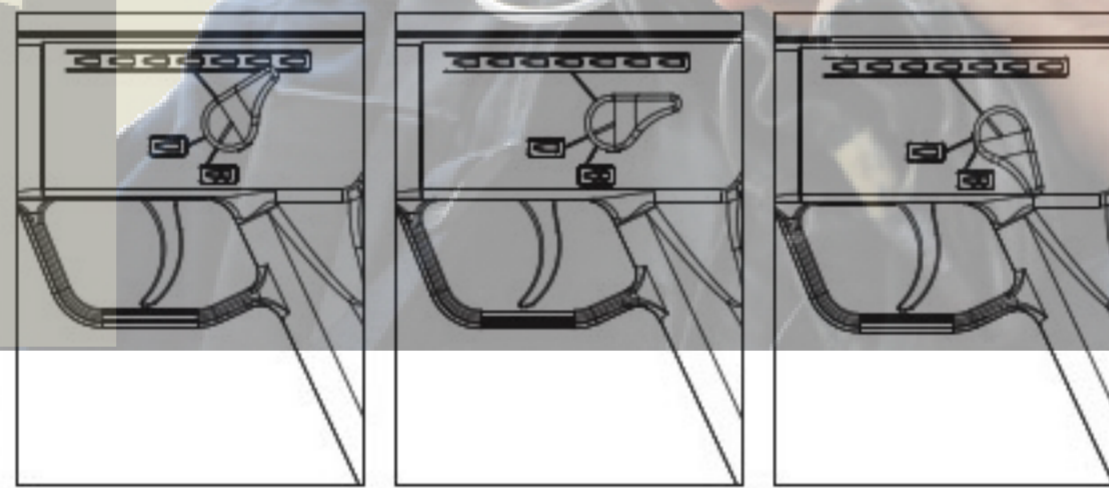


調整螺絲使規孔左右移動。
Turn the screw to make rear sight right or left.



旋轉規孔調整規孔高度。
Turn the rear sight drum to adjust rear sight height.

8 單連發選擇方式 Fire selection and safety setting

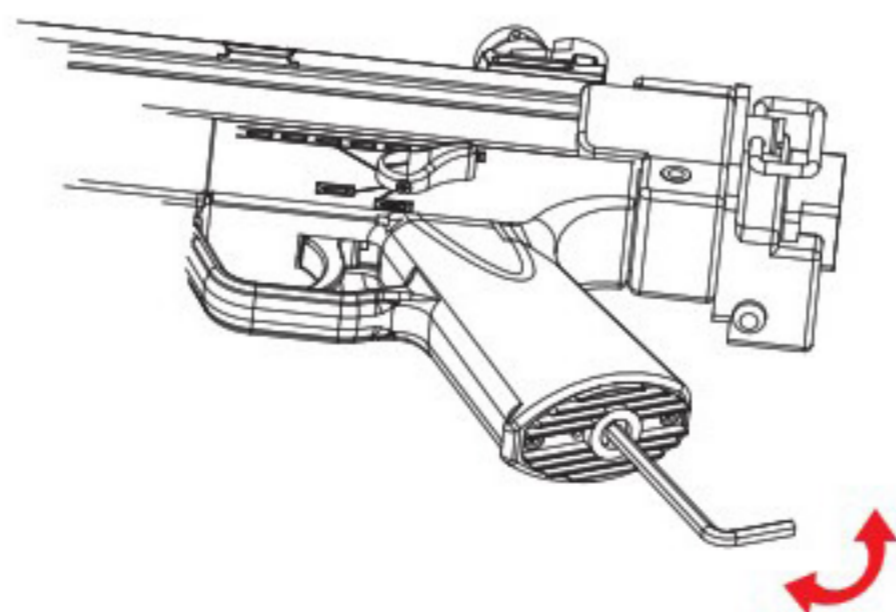


保險
Safe

單發
Semi
automatic

連發
Full
automatic

9 馬達間隙調整 Motor gap adjustment



用六角板手調整馬達間隙螺絲
(出廠時已調整好)
Adjust the gap between the motor and the gear by an allen key
(Original factory setting is for 9.6v battery)

10 彈匣使用方式 Magazine attachment



將彈匣往彈匣口上推即可固定
Insert the magazine until locked.

Release 下彈匣



按下彈匣卡榫即可把彈匣取下
Press the magazine release lever to unload the magazine.

Load BBs 裝BB彈方式

彈匣上蓋依箭頭方向推開再到入BB彈
Open the magazine cap and load BBs

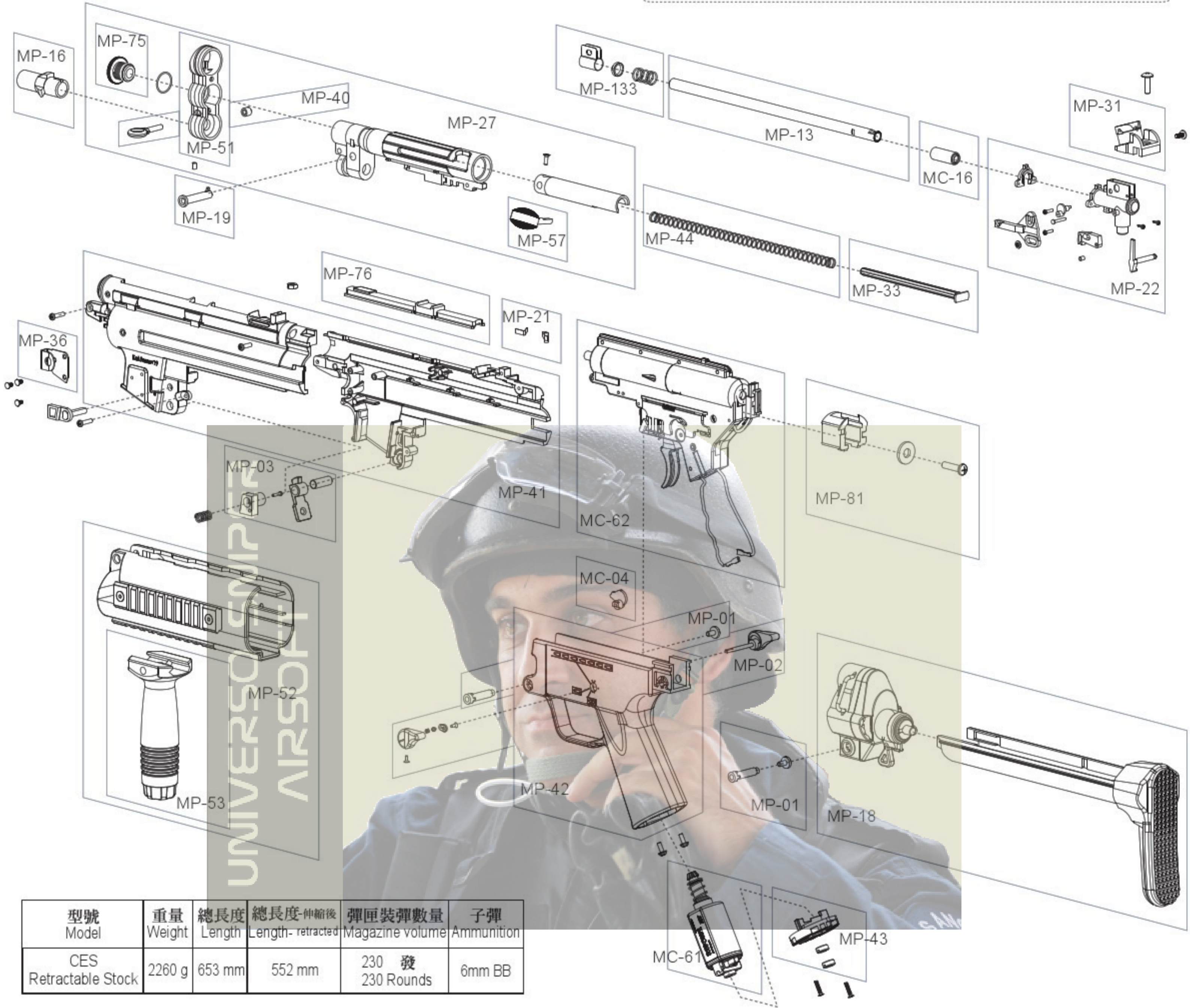


11

各部零件說明 Description

■ ICS-17

*每一款槍型基本配備不同依實際出貨為主。圖片僅供參考。
The components/accessories for each model may have kind of differences depending on the actual goods. Images are only for reference.



型號 Model	重量 Weight	總長度 Length	總長度-伸縮後 Length- retracted	彈匣裝彈數量 Magazine volume	子彈 Ammunition
CES Retractable Stock	2260 g	653 mm	552 mm	230 發 230 Rounds	6mm BB

Patents acquired: R.O.C. 482292 / R.O.C. M320468 / R.O.C. D137321 / R.O.C. D168400 / USD747422S / EM002527580-0001



WARNING 警告 電槍使用之注意事項 Maintenance

- 請勿使用回收及劣質的 BB 彈，以減少槍管損耗與避免卡彈的情形發生。
- 如發現有卡彈的情形，應立即停止射擊，如卡彈後再勉強射擊，則會增加齒輪損耗。請使用內附通槍條，將卡彈清除後才可繼續使用。若完成通槍基本故障排除後仍無法使用時，請回原採購店家或專業經銷商尋求維修服務。
- 使用前請先確定您的電池已充滿電，當使用中發覺電池即將用盡或射擊速度降低時，應立即更換電池。
- 請定期使用通槍條清潔槍管，以保持槍支射擊時的準確性及減少卡彈的情形發生。
- 請勿經常空槍射擊，以減少BOX及齒輪不必要的損耗。

使用前請務必詳閱此說明書限18歲以上使用
Always read through this manual before operation.
User restricted to 18 years of age or older.

- Do not use recycle or low quality BB pellets to reduce the barrel damage and prevent from jams.
- When a BB pellet is jammed, cease fire immediately. Firing under jam may cause damage on gears. Please use the cleaning rod that came with your airsoft gun to push it into the barrel by moving down gently until the jammed BB pellet comes out. If the jam still cannot be solved, please contact your original purchase retailer or ask for professional agent for repair service.
Note: No need to remove the barrel when eliminating jam.
- Please make sure the battery is fully charged before using. When the battery is run out or firing speed is decreasing, new battery has to be replaced immediately.
- Please use cleaning rod periodically to clean the barrel to ensure the firing precision and reduce jam.
- Do not dry fire the airsoft gun at any time to reduce damage to the gearbox.



WWW.ICSSBB.COM