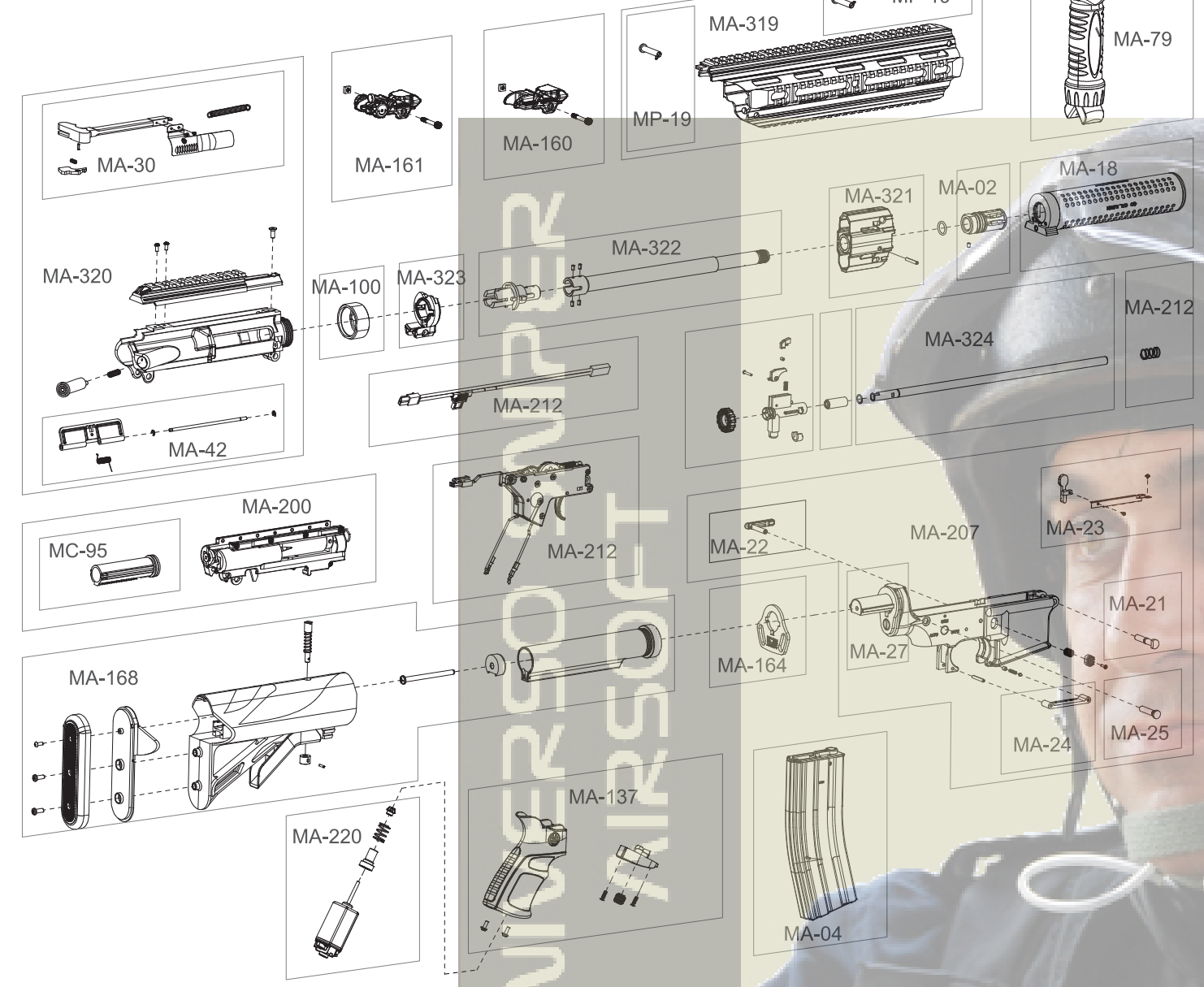


## 8 各部零件說明 Description

\*每一款槍型基本配備不同依實際出貨為主。圖片僅供參考。  
The components/accessories for each model may have kind of differences depending on the actual goods. Images are only for reference.

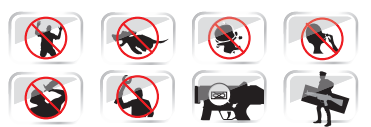
### ICS-238 Proline



Patents acquired: R.O.C. M244431 / US7077117B1 / R.O.C. D159178 / USD706880S / R.O.C. M320468 / EM002246579-0001 / R.O.C. M351340

## WARNING 警告 電槍使用之注意事項 Maintenance

- 請勿使用回收及劣質的 BB 彈，以減少槍管損耗與避免卡彈的情形發生。
  - 如發現有卡彈的情形，應立即停止射擊，如卡彈後再勉強射擊，則會增加齒輪損耗。請使用內附通槍條，將卡彈清除後才可繼續使用。若完成通槍基本故障排除後仍無法使用時，請回原採購店家或專業經銷商尋求維修服務。
  - 使用前請先確定您的電池已充滿電，當使用中發覺電池即將用盡或射擊速度降低時，應立即更換電池。
  - 請定期使用通槍條清潔槍管，以保持槍支射擊時的準確性及減少卡彈的情形發生。
  - 請勿經常空槍射擊，以減少BOX及齒輪不必要的損耗。
- 使用前請務必詳閱此說明書限18歲以上使用  
Always read through this manual before operation.  
User restricted to 18 years of age or older.

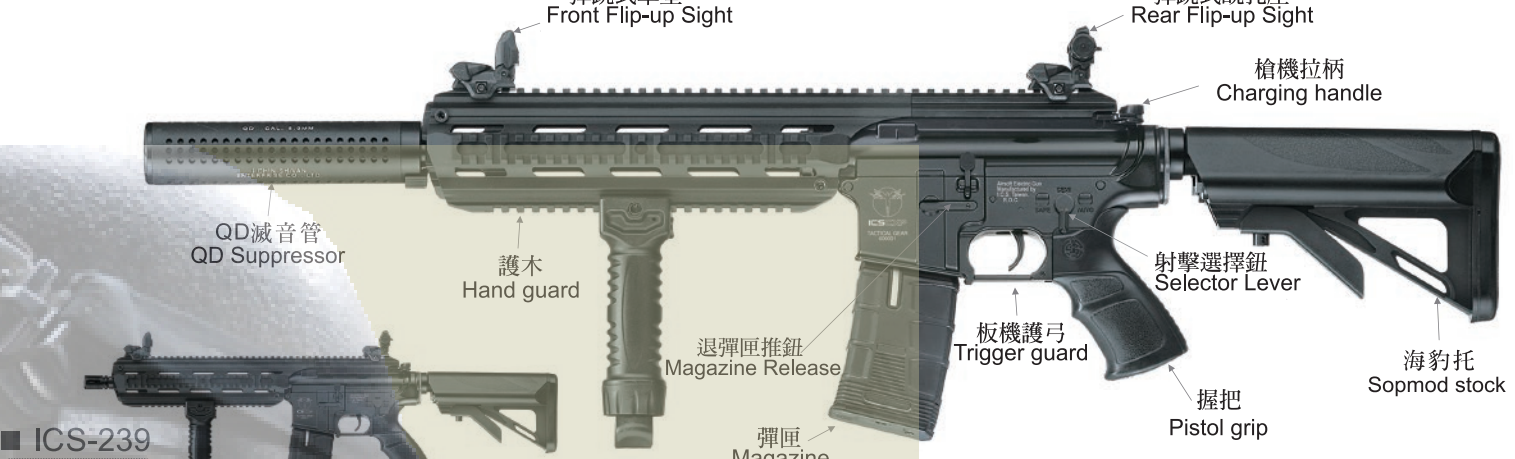


WWW.ICSSBB.COM

## 1 各部名稱 component names



### ICS-238 Proline



### ICS-239 Proline

### IMT-238-1 Proline

### IMT-236-1 Proline

### IPT-239-1 Sportline

### IPT-237-1 Sportline

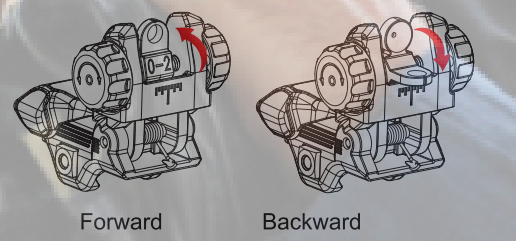
### ICS-236 Proline

### ICS-237 Sportline

## 2 精確射擊調整動作 Ironsight adjustment

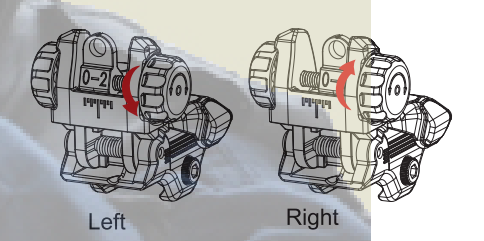
### 2-1 視孔調整方式 Open sight adjustment

#### A: 精密射擊調整 Rear sight precision targeting adjustment



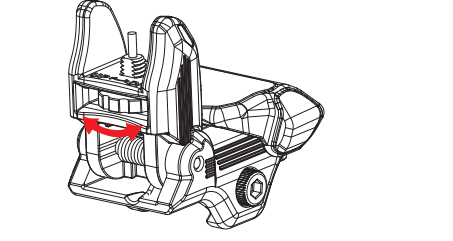
近距離將視孔往前推/遠距離將視孔往後推  
Common/close-range low-light shooting. Push forward to engage battle sight. Precision daylight shooting. Push backward to engage peep hole.

#### B: 視孔左右調整 Rear sight left-right adjustment



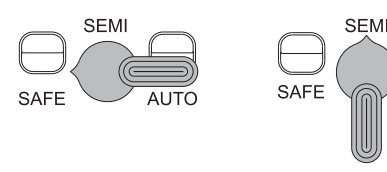
依旋鈕方向旋轉即可將視孔組左右調整  
Turn clockwise to aim right. Turn counter clockwise to aim left.

### 2-2 準星高度調整 Front sight adjustment



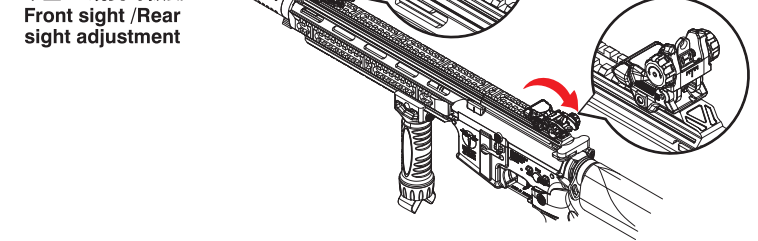
將調整鈕轉左即可升高準星  
Turn the dial left to raise the hitting point  
將調整鈕轉右即可降低準星  
Turn the dial right to lower the hitting poi

### 2-3 單連發選擇方式 Selector lever setting



保險 Safety setting 單發 Semi automatic 連發 Fully automatic

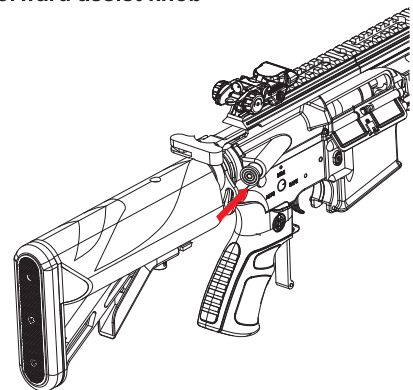
### 2-4 準星/視孔可扳動 Front sight/Rear sight adjustment





### 3 可動部的說明 Movable parts

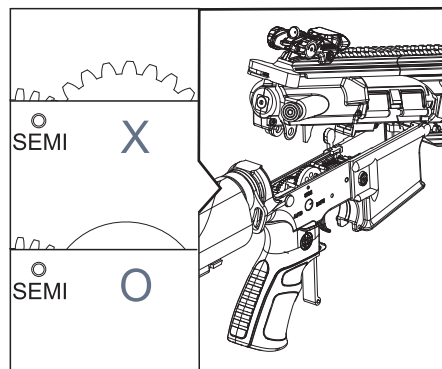
#### 3-1 止逆轉釋放鈕 Forward assist knob



1. 槍枝使用完畢轉至單發狀態下發射2~3下後再按止逆轉釋放鈕，可將活塞彈簧回覆至原處。
2. 槍身做分解時，必須先釋放活塞彈簧，才可做分解動作。
1. After playing, fire 2-3 in single position, then push the forward assist knob to release the spring tension before storage.
2. Push the forward assist knob before you assemble the gear box.

#### 3-4 The correct position of No.3 gear before reassembling

槍身結合 3 號齒正確位置圖

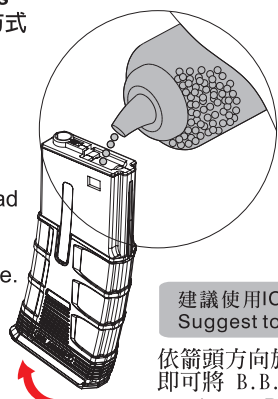


3號齒在槍身結合時，必須轉到正確位置，才可將上槍身蓋下。Make sure No.3 gear is turned to the correct position before you reassemble the receiver/gearbox.

### 4 彈匣使用方式 Magazine attachment

#### 4-1 load BBs 裝BB彈方式

將彈匣上蓋依箭頭方向推開再倒入B.B.彈  
Open the cover to load BBs. Please use ICS 6mm caliber BBs for optimum Performance.

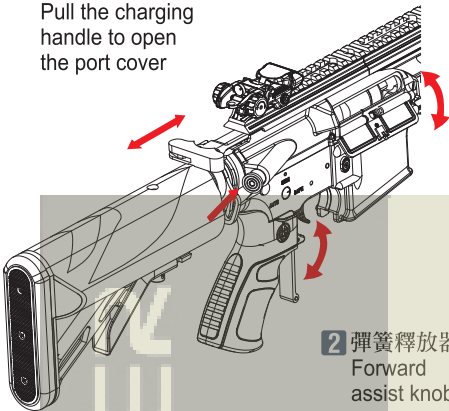


建議使用ICS 6mm BB彈  
Suggest to ICS 6mm BBs

依箭頭方向旋緊彈匣底下旋鈕，即可將B.B.彈順利送出。  
To charge BB feed spring, please wind magazine.

#### 3-2 可作動作 Movable parts

1 槍機拉柄 Charging handle  
拉柄拉動可打開防塵蓋  
Pull the charging handle to open the port cover

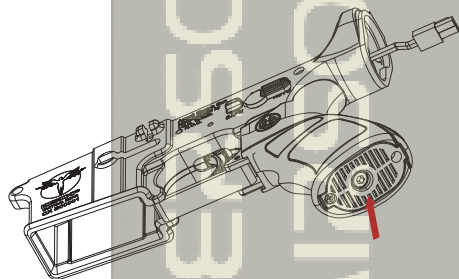


2 彈簧釋放器  
Forward assist knob

3 扳機護弓  
Trigger guard  
扳機護弓可開或關  
Trigger guard can be opened and closed

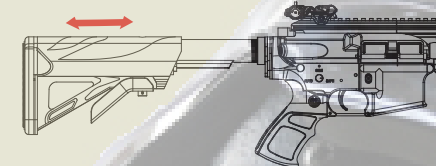
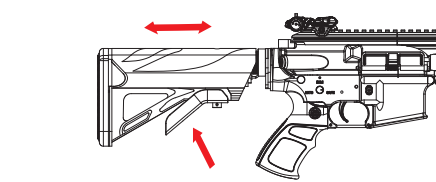
#### 3-5 馬達間隙調整 Fine adjustment of gear engagement

用六角板手調整馬達間隙螺絲  
(出廠時已調整好)



Adjust the gap between the motor and the gear by an allen key (Original factory setting is for 9.6v battery)

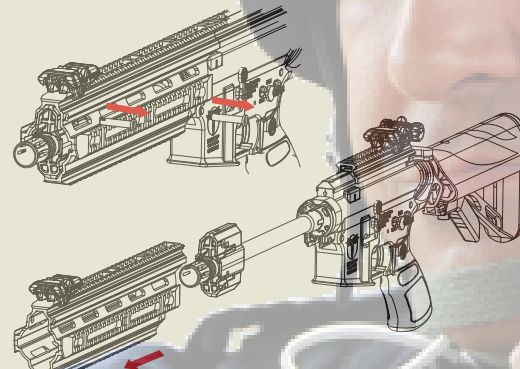
#### 3-3 伸縮托長度調整 Variable retractable stock length



按下卡榫，即可將伸縮托向後拉或向前推，共有6段可供調整長度。  
Push the stock release lever to unlock. Adjust the 6 position retractable stock to the most comfortable position.

#### 3-6 護木拆卸方式 Remove the lower handguard

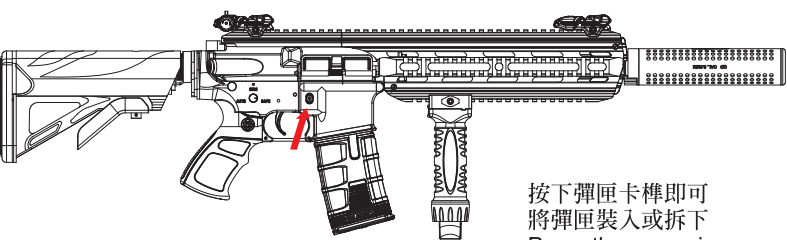
先把固定螺帽拆下，再把前槍背帶扣環抽出，即可把下護木推出。



Release 2 pins can remove hand guard

#### 4-2 彈匣上下方式 Magazine loading and unloading

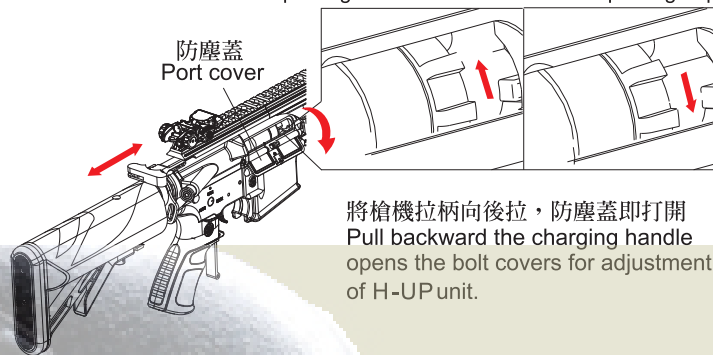
按下彈匣卡榫即可將彈匣裝入或拆下  
Press the magazine release lever to load or unload the magazine.



Press the magazine release lever to load or unload the magazine.

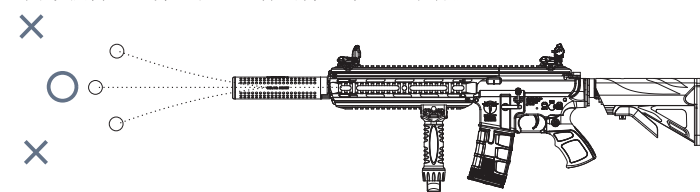
### 5 H-UP彈道調整 H-UP adjustment

1. 調整撥盤向上使子彈下降  
1. Rotate the dial counter-clockwise to make the pellet go down.
2. 調整撥盤向下使子彈上升  
2. Rotate the dial clockwise to make the pellet go up.



將槍機拉柄向後拉，防塵蓋即打開  
Pull backward the charging handle opens the bolt covers for adjustment of H-UP unit.

H-UP調整：  
子彈過於上飄，請調整撥盤向上旋轉。子彈過於下墜，請調整撥盤向下旋轉。BB彈呈現一直線的彈道才是正確射法。



H-UP adjustment :  
When the pellet rise up, increase the H-UP to adjust. When the pellet fall down, decrease the H-UP to adjust. Make sure the pellet trajectory to be straight is correct.

### 6 裝電池方法 Battery fitting method



1. 拆開槍托底蓋螺絲  
1. Release butt plate screws

2. 裝入電池  
2. Install Battery

3. 鎖緊槍托底蓋螺絲  
3. Turn screw to lock

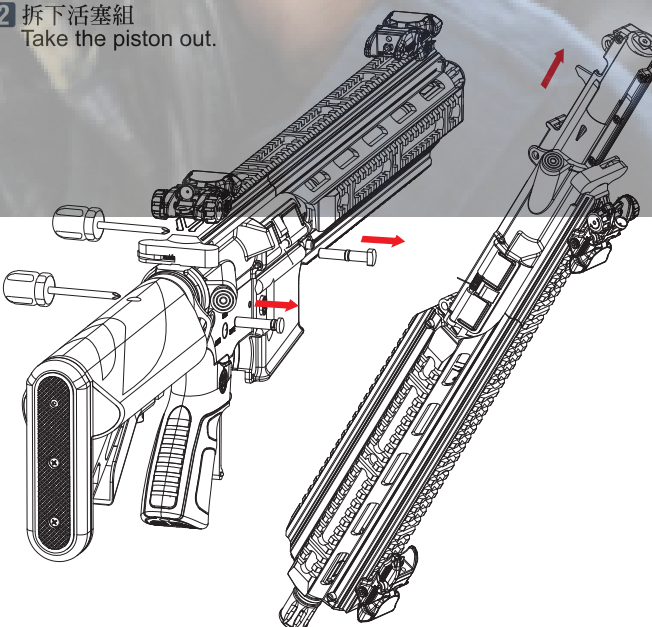
### 7 齒輪箱拆解 Disassemble Gear-box

#### 7-1 Remove the upper Gearbox 上槍身拆卸

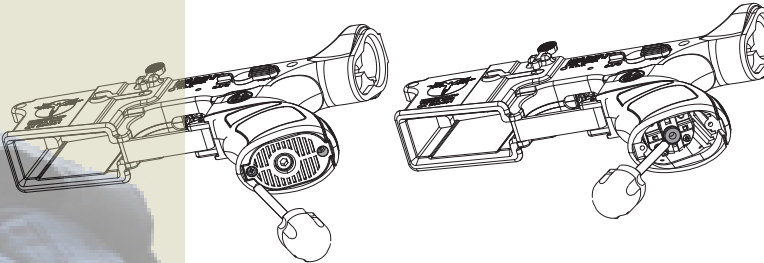
注意  
CAUTION \*重新組裝時，必須依反向動作組合  
Reassembly is the reverse of disassembly procedures.

1 使用起子依方向將槍身結合銷推出即可打開上槍身  
To open upper receiver, use a screwdriver to push out frame lock pins.

2 拆下活塞組  
Take the piston out.

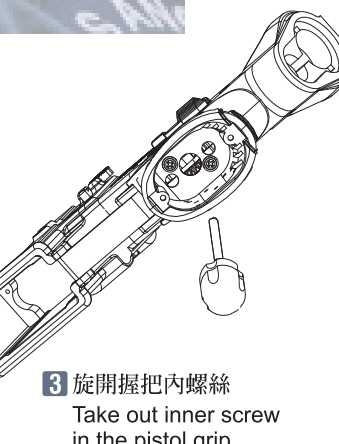


#### 7-2 Remove the lower Gearbox 下槍身拆卸



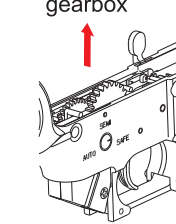
1 旋開馬達底蓋螺絲  
Take out the screws on the plate.

2 將馬達拆下  
Take the motor out.



3 旋開握把內螺絲  
Take out inner screw in the pistol grip.

4 旋開線槽螺絲  
Take out the screw of wire from concavity.



6 將下Box取出  
Remove the gearbox

5 旋開彈匣卡榫螺絲  
Take out magazine release lever.