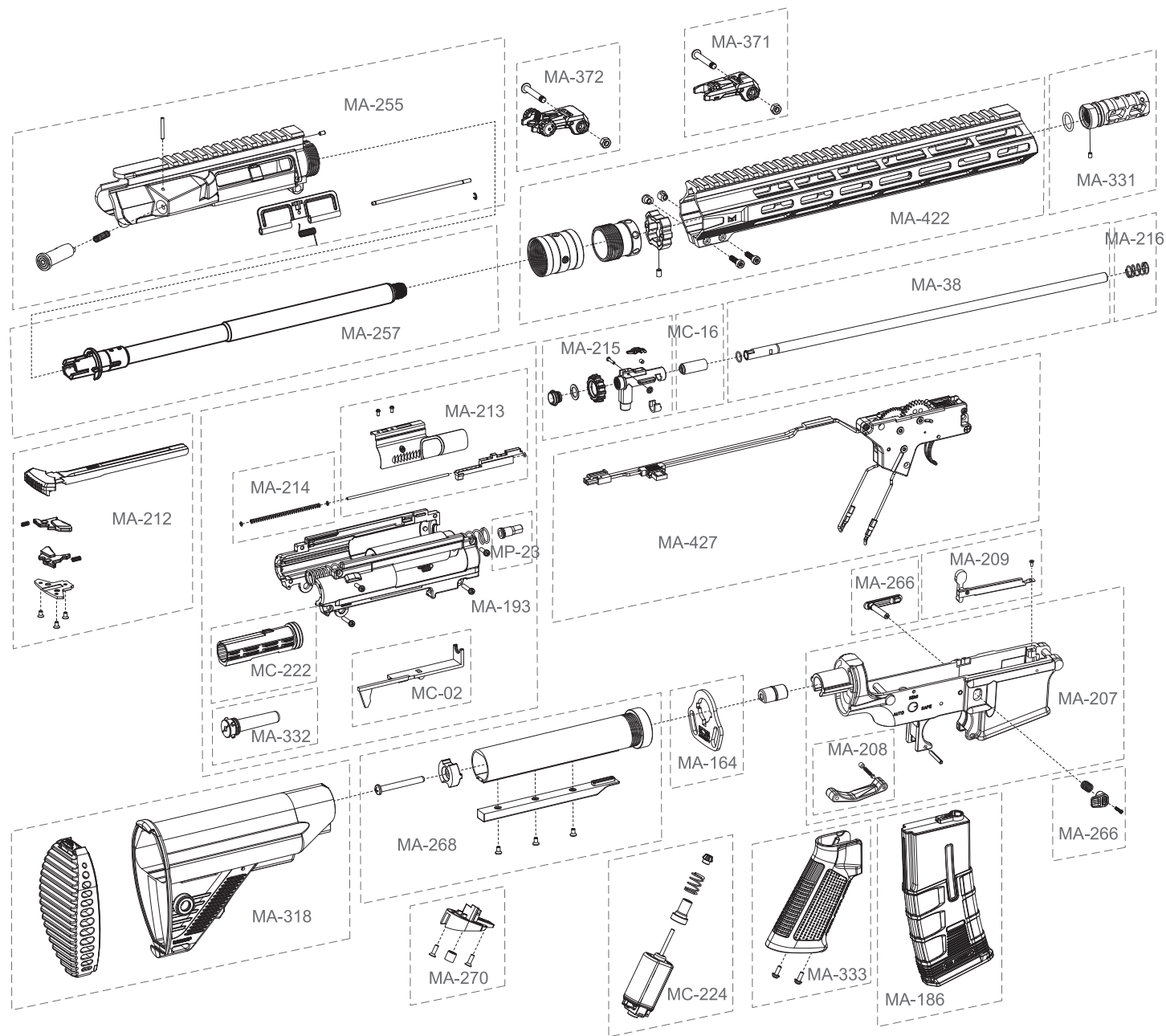


8 各部零件說明 Description

ICS-401 CXP-MMR Carbine

*每一款槍型基本配備不同依實際出貨為主。圖片僅供參考。
The components/accessories for each model may have kind of differences depending on the actual goods. Images are only for reference.



WARNING 警告 電槍使用之注意事項 Maintenance

- 請勿使用回收及劣質的 BB 彈，以減少槍管損耗與避免卡彈的情形發生。
- 如發現有卡彈的情形，應立即停止射擊，如卡彈後再勉強射擊，則會增加齒輪損耗。請使用內附通槍條，將卡彈清除後才可繼續使用。若完成通槍基本故障排除後仍無法使用時，請回原採購店家或專業經銷商尋求維修服務。
- 使用前請先確定您的電池已充滿電，當使用中發覺電池即將用盡或射擊速度降低時，應立即更換電池。
- 請定期使用通槍條清潔槍管，以保持槍支射擊時的準確性及減少卡彈的情形發生。
- 請勿經常空槍射擊，以減少BOX及齒輪不必要的損耗。
- 不使用本產品時請移除電池，以避免誤觸擊發。
- 請依原廠附贈之保險絲規格使用，不當配置可能導致零件故障，槍內配置M100彈簧時請使用20A保險絲，M120彈簧時請使用25A保險絲。使用前請務必詳閱此說明書限18歲以上使用。Always read through this manual before operation. User restricted to 18 years of age or older.

- Do not use recycle or low quality BB pellets to reduce the barrel damage and prevent from jams.
- When a BB pellet is jammed, cease fire immediately. Firing under jam may cause damage on gears. Please use the cleaning rod that came with your airsoft gun to push it into the barrel by moving down gently until the jammed BB pellet comes out. If the jam still cannot be solved, please contact your original purchase retailer or ask for professional agent for repair service. Note: No need to remove the barrel when eliminating jam.
- Please make sure the battery is fully charged before using. When the battery is run out or firing speed is decreasing, new battery has to be replaced immediately.
- Please use cleaning rod periodically to clean the barrel to ensure the firing precision and reduce jam.
- Do not dry fire the airsoft gun at any time to reduce damage to the gearbox.
- Remove the battery while not using this product to avoid accidental firing.
- Please only use the same spec. of fuse as those from factory. Usign improper fuse spec. might cause damage to the product. Use 20Amps fuse when the gun shoots with an M100 spring. Use 25Amps fuse when the gun shoots with an M120 spring.



WWW.ICSBBS.COM

1 MMR 系列各部名稱 MMR Series Component



2 彈匣使用方式 Magazine Attachment

2-1 裝BB彈方式 Load BBs

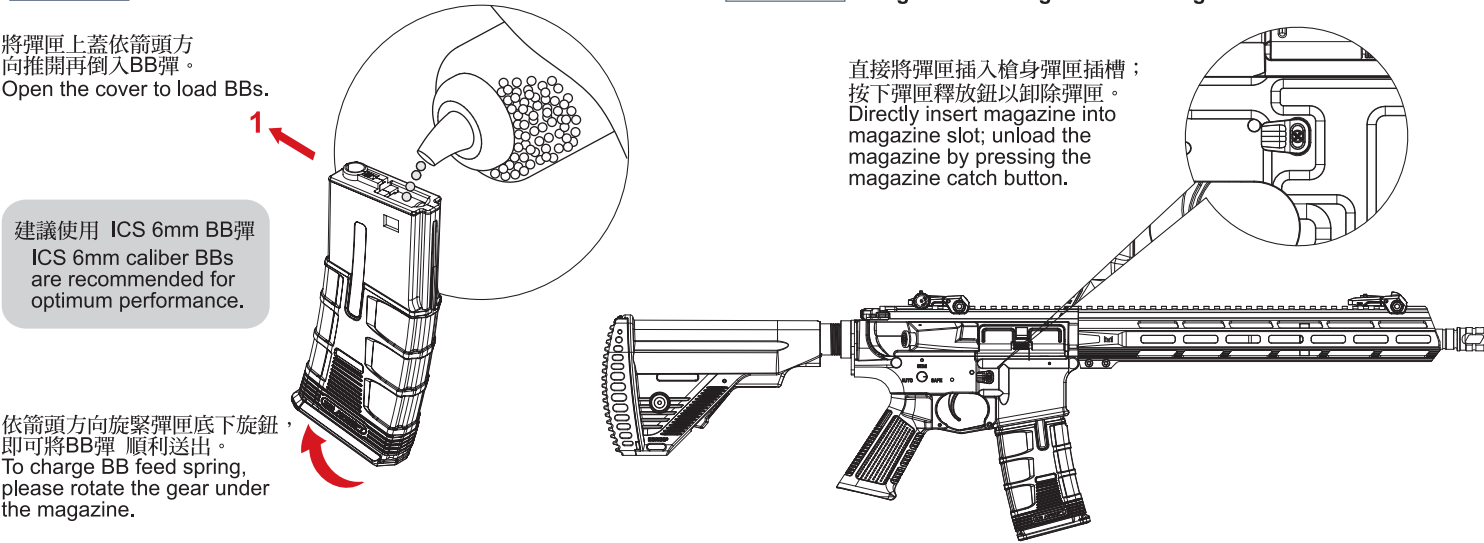
將彈匣上蓋依箭頭方向推開再倒入BB彈。
Open the cover to load BBs.

建議使用 ICS 6mm BB彈
ICS 6mm caliber BBs are recommended for optimum performance.

依箭頭方向旋轉彈匣底下旋鈕，即可將BB彈順利送出。
To charge BB feed spring, please rotate the gear under the magazine.

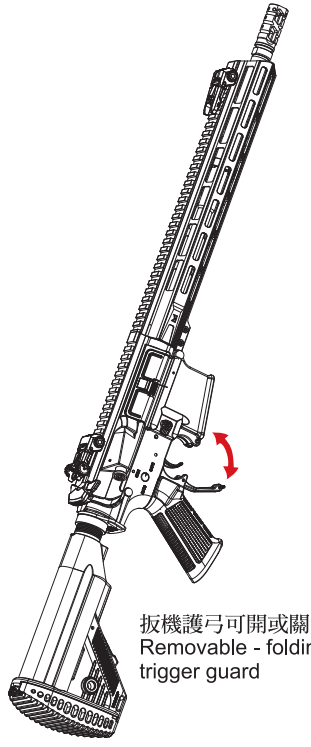
2-2 裝卸彈匣 Magazine Loading and Unloading

直接將彈匣插入槍身彈匣插槽；按下彈匣釋放鈕以卸除彈匣。
Directly insert magazine into magazine slot; unload the magazine by pressing the magazine catch button.



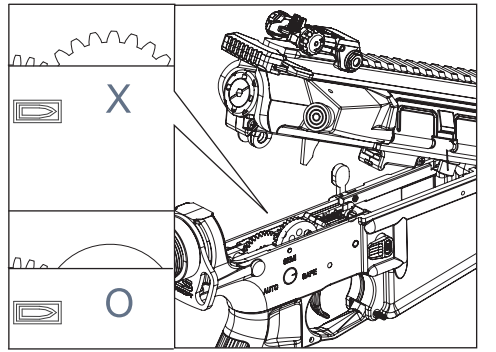
3 可動部的說明 Movable Parts

3-1 扳機護弓 Trigger Guard



扳機護弓可開或關
Removable - folding
trigger guard

3-2 槍身結合 3 號齒正確位置圖 The correct position of sector gear before reassembling

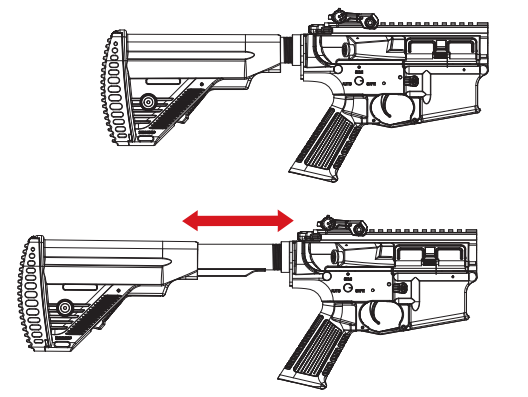


3號齒在槍身結合時，必須轉到正確位置，才可將上槍身蓋下。
Make sure the sector gear is turned to the correct position before reassembling the receiver/gearbox.

3-4 馬達間隙調整 Motor Gap Adjustment

使用4mm六角扳手來進行馬達傘齒間隙調整(出廠前已調整好)。
Use 4mm Allen key to make the fine-tune adjustment. (Adjust when needed. Already made before out of factory)

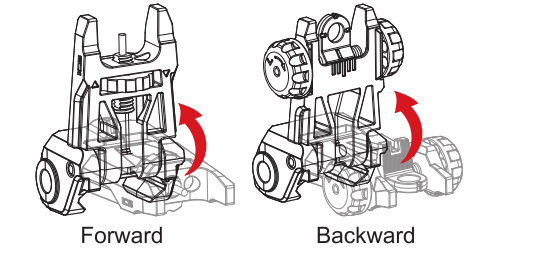
3-3 調整伸縮托長度 Adjust Retractable Stock Length



按下卡榫，即可將伸縮托向後拉或向前推，共有4~5段可供調整長度。
Press and hold the stock release lever to unlock. Adjust the 4~5 position retractable stock to the most comfortable position.

4 精確射擊調整動作 Precision Targeting Adjustment

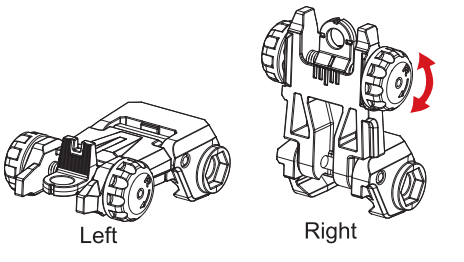
A: 開合準星照門 Open and close sights



視孔立起或收合皆可瞄準
The CFS sights could be used both folded or deployed.

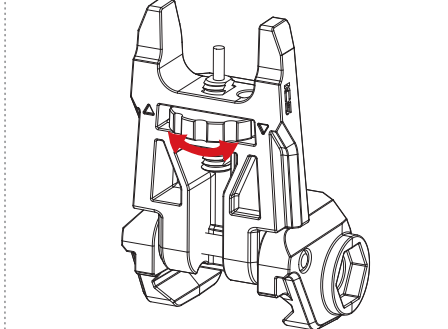
4-1 視孔調整方式 Rear Sight Adjustment

B: 視孔調整方式 Rear Sight Adjustment



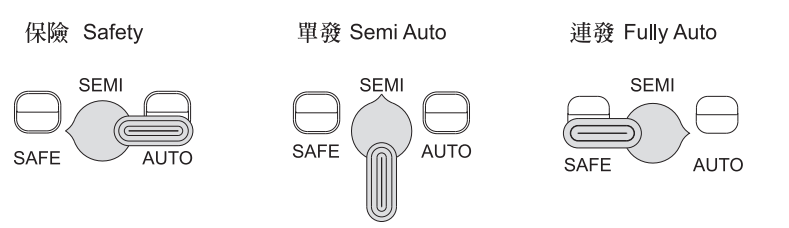
依旋鈕方向旋轉即可將視孔組左右調整
Rotate clockwise to aim right
Rotate counter clockwise to aim left

4-2 準星高度調整 Front Sight Adjustment



將調整鈕轉左即可升高準星
將調整鈕轉右即可降低準星
Rotate the dial left to raise the aiming point.
Rotate the dial right to lower the aiming point.

4-3 選擇射擊模式 Shooting Mode Setting

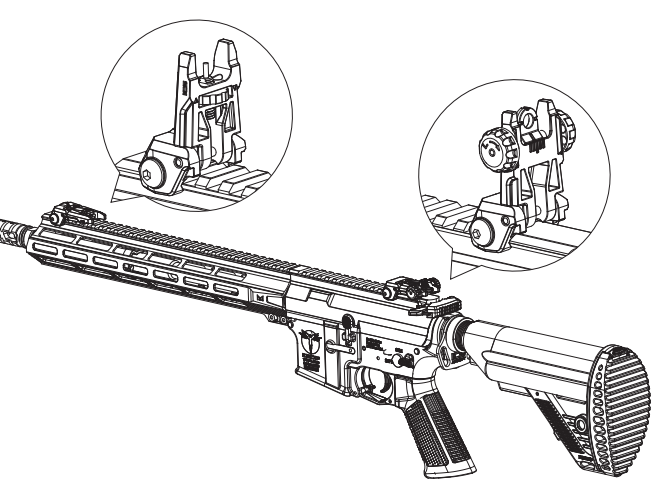


Switch the selector lever to safety position (aim forward) can release the spring and cease fire synchronously.

1. 槍枝使用完畢轉至單發狀態下發射2~3下後再關保險，可將活塞彈簧回覆至原處。
2. 槍身做分解時，必須先釋放活塞彈簧，才可做分解動作。

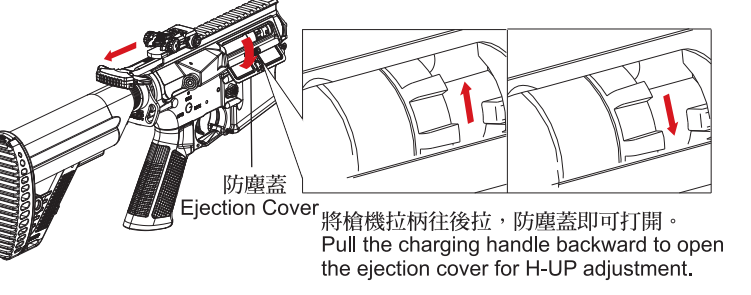
1. After playing, fire 2-3 by using semi automatic, then switch the selector lever to safety position to release the spring tension before storage.
2. Before disassembling the gearbox, always release the spring by turning selector lever to safety position.

4-4 CFS 折疊式準星/視孔 CFS Folding Front Sight/Rear Sight



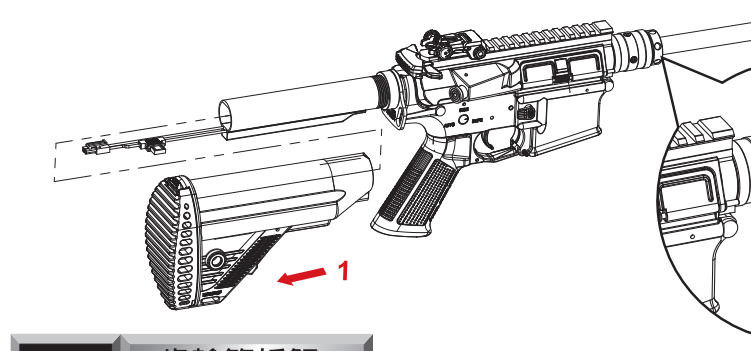
5 H-UP彈道調整 H-UP Adjustment

1. 調整撥盤向上使子彈下降
1. Increase H-UP to make the pellet go down.
2. 調整撥盤向下使子彈上升
2. Decrease the H-UP to make the pellet go up.

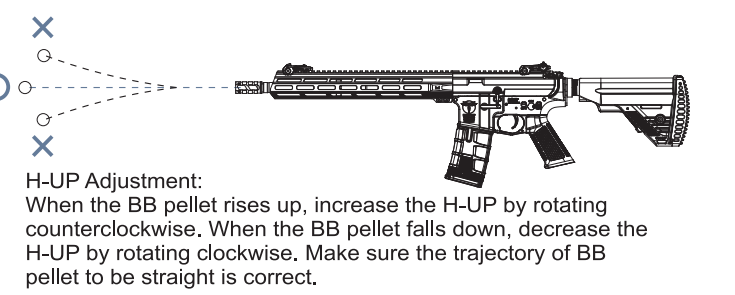


6 電池及護木的拆裝方法 Disassemble for Battery and Handguard

注意
CAUTION 重新組裝時，必須依反向動作組合
Reassembling is the reverse of disassembling procedures.

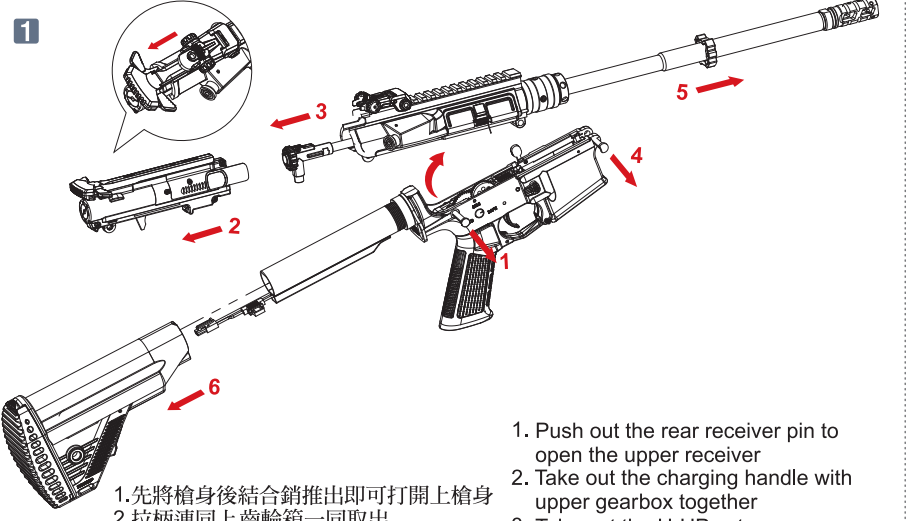


H-UP調整:
子彈過於上飄，請調整撥盤向上旋轉。子彈過於下墜，請調整撥盤向下旋轉。BB彈呈現一直線的彈道才是正確射法。

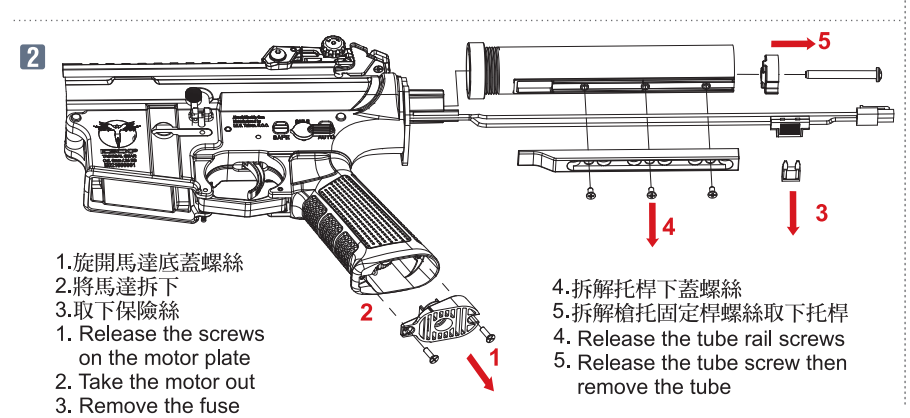


H-UP Adjustment:
When the BB pellet rises up, increase the H-UP by rotating counterclockwise. When the BB pellet falls down, decrease the H-UP by rotating clockwise. Make sure the trajectory of BB pellet to be straight is correct.

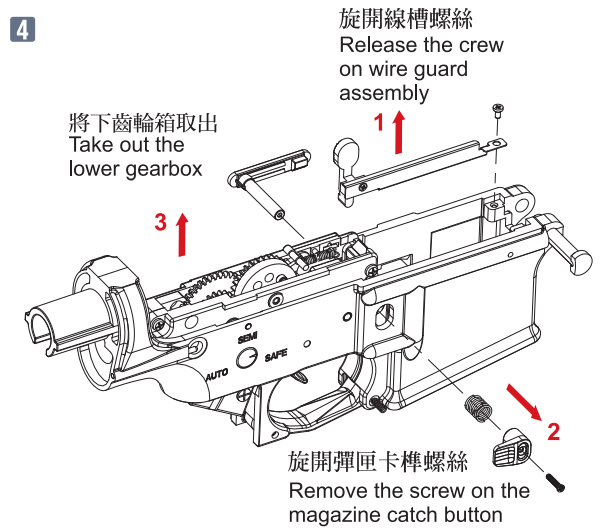
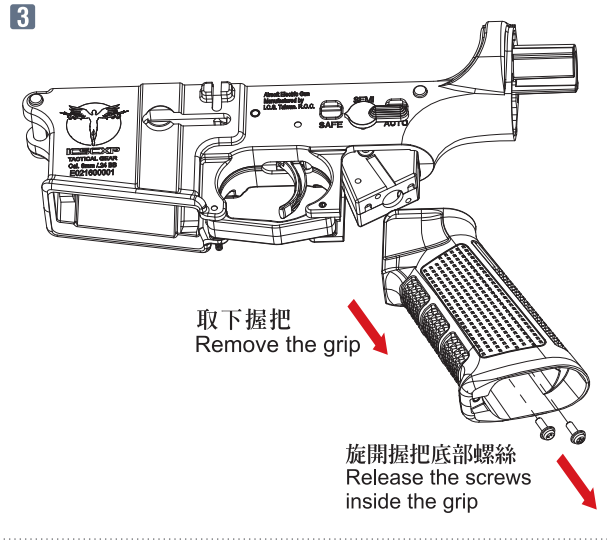
7 齒輪箱拆解 Disassemble Gearbox



1. 先將槍身後結合銷推出即可打開上槍身
2. 拉柄連同上齒輪箱一同取出
3. 取出H-UP組
4. 再將槍身前結合銷推出
5. 取出上槍身
6. 將槍托調整桿向後按壓後取出槍托



1. 旋開馬達底蓋螺絲
2. 將馬達拆下
3. 取下保險絲
4. 拆解托桿下蓋螺絲
5. 拆解槍托固定桿螺絲取下托桿



1. 旋開線槽螺絲
2. 旋開彈匣卡榫螺絲