

1 各部名稱 Component names



ICS-260 Proline

CXP彈跳式準星座
CXP Front back-up sight

CXP彈跳式規孔座
CXP Rear back-up sight



ICS-261 Proline

UK1防火帽
UK1 Birdcage flashhider

KEY MOD快拆軌道-長
KEY MOD Rail-long

UK1R護木
UK1R Handguard

槍機釋放鈕
Bolt catch

板機護弓
Trigger guard

MTR戰術伸縮托
MTR Adjustable stock



IMT-260-1 Proline

IMT-261-1 Proline

2 彈匣使用方式 Magazine attachment

2-1 load BBs 裝BB彈方式

將彈匣上蓋依箭頭方向推開再倒入B.B.彈
Open the cover to load BBs. Please use ICS 6mm caliber BBs for optimum Performance.

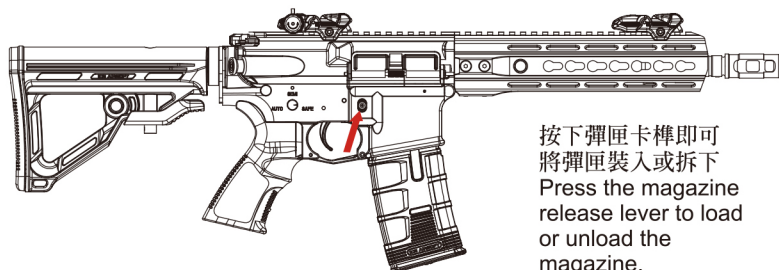


建議使用ICS 6mm BB彈
Suggest to ICS 6mm BBs

依箭頭方向旋緊彈匣底下旋鈕，即可將 B.B. 彈順利送出。
To charge BB feed spring, please wind magazine.

2-2 彈匣上下方式 Magazine loading and unloading

Magazine loading and unloading



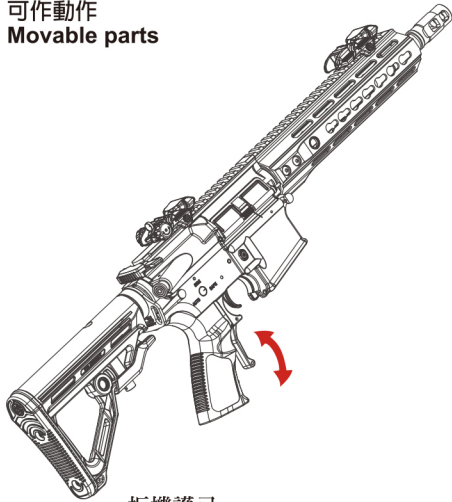
按下彈匣卡榫即可將彈匣裝入或拆下
Press the magazine release lever to load or unload the magazine.

3

可動部的說明 Movable parts

3-1

可作動作 Movable parts

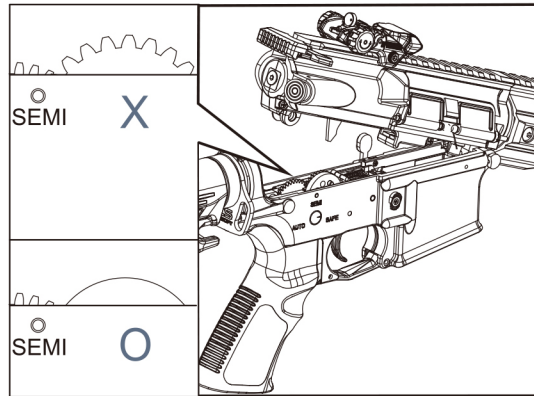


扳機護弓
Trigger guard
扳機護弓可開或關
Trigger guard can be opened and closed

3-2

The correct position of No.3 gear before reassembling

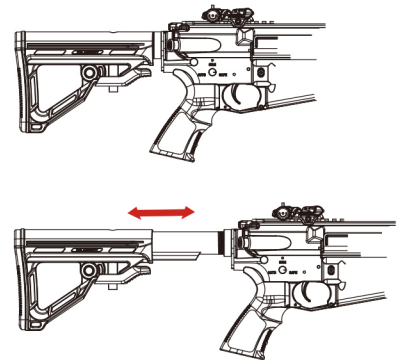
槍身結合 3 號齒正確位置圖



3號齒在槍身結合時，必須轉到正確位置，才可將上槍身蓋下。
Make sure sector gear is turned to the correct position before reassembling the receiver/gearbox.

3-3

伸縮托長度調整 Variable retractable stock length



按下卡榫，即可將伸縮托向後拉或向前推，共有 6 段可供調整長度。
Push the stock release lever to unlock. Adjust the 6 position retractable stock to the most comfortable position.

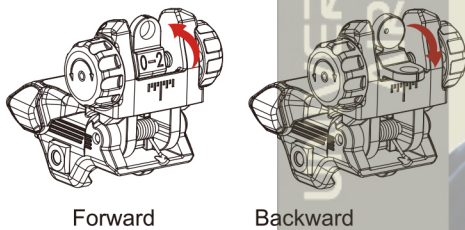
4

精確射擊調整動作 Ironsight adjustment

4-1

覘孔調整方式 Rear Sight Adjustment

A: 精密射擊調整 Rear sight precision targeting adjustment

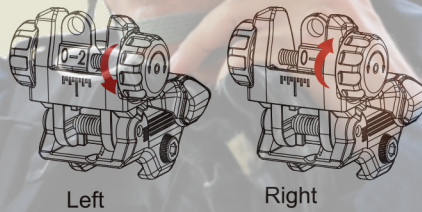


Forward

Backward

近距將覘孔往前推/遠距將覘孔往後推
Common/close-range low-light shooting.
Push forward to engage battle sight.
Precision daylight shooting.
Push backward to engage peep hole.

B: 覘孔左右調整 Rear sight left-right adjustment



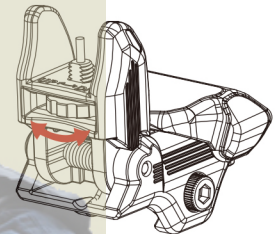
Left

Right

依旋鈕方向旋轉即可將覘孔組左右調整
Turn clockwise to aim right.
Turn counter clockwise to aim left.

4-2

準星高度調整 Front sight adjustment

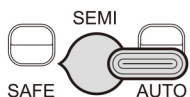


將調整鈕轉左即可升高準星
將調整鈕轉右即可降低準星
Turn the dial left to raise the hitting point
Turn the dial right to lower the hitting point

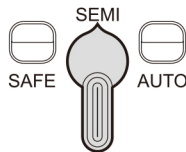
4-3

單連發選擇方式 Selector lever setting

保險 Safety



單發 Semi automatic

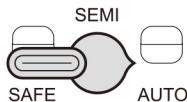


保險與止逆轉釋放同步

Switch the safety selector lever to safe position and forward

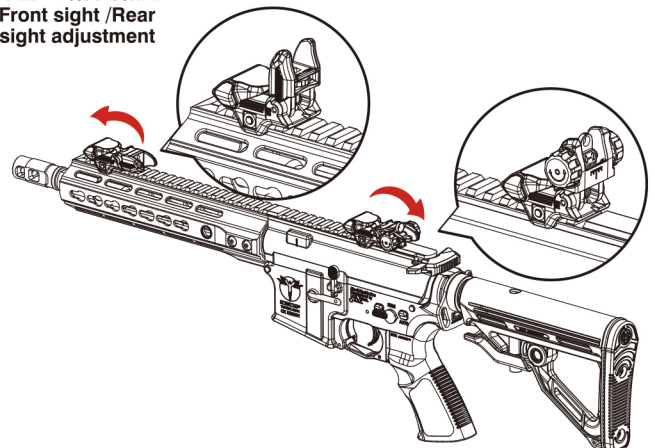
1. 槍枝使用完畢轉至單發狀態下發射2~3下後再關保險，可將活塞彈簧回覆至原處。
 2. 槍身做分解時，必須先釋放活塞彈簧，才可做分解動作。
1. After playing, fire 2-3 by using semi automatic, then switch the selector lever to safety position to release the spring tension before storage.
 2. Before disassembling the gearbox, always release the spring by turning selector lever to safety position.

連發 Fully automatic



4-4

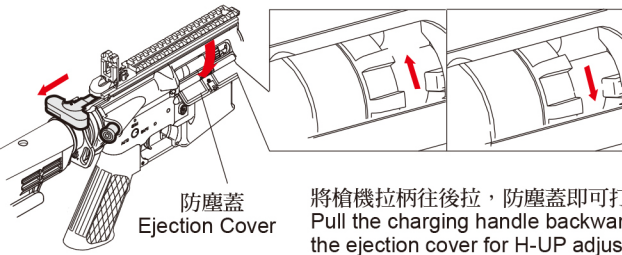
準星 / 覘孔可扳動 Front sight / Rear sight adjustment



5

H-UP彈道調整 H-UP adjustment

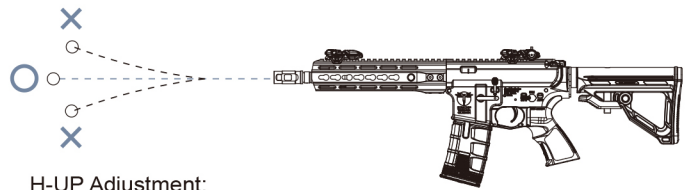
1. 調整撥盤向上使子彈下降
1. Rotate the dial counter-clockwise to make the pellet go down.
2. 調整撥盤向下使子彈上升
2. Rotate the dial clockwise to make the pellet go up.



防塵蓋
Ejection Cover

將槍機拉柄往後拉，防塵蓋即可打開。
Pull the charging handle backward to open the ejection cover for H-UP adjustment.

H-UP調整：
子彈過於上飄，請調整撥盤向上旋轉。子彈過於下墜，請調整撥盤向下旋轉。BB彈呈現一直線的彈道才是正確射法。



H-UP Adjustment:
When the BB pellet rises up, rotate the dial counter-clockwise to lower trajectory down. When the BB pellet falls down, rotate the dial clockwise to raise the trajectory up. Make sure the trajectory of BB pellet to be straight.

6

齒輪箱拆解 Disassemble Gear-box

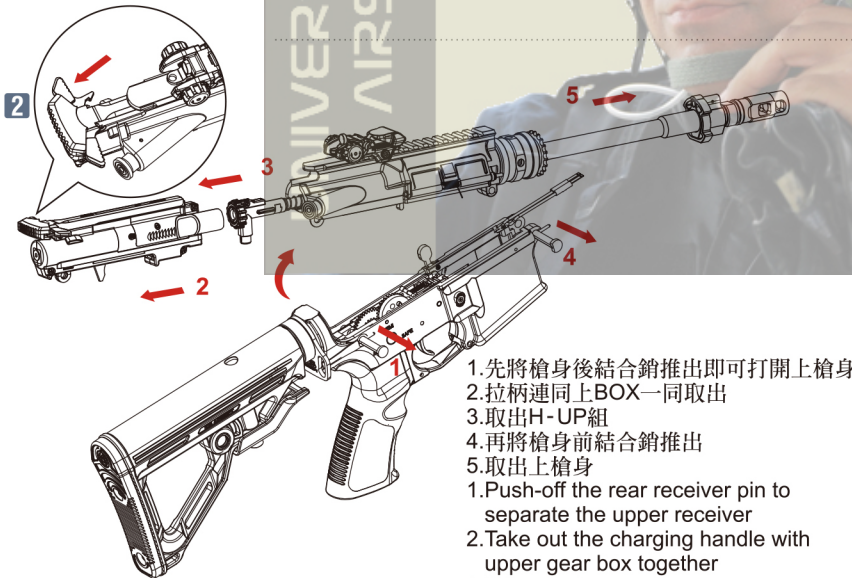
注意
CAUTION *重新組裝時，必須依反向動作組合
Reassembly is the reverse of disassemblies procedures.

1



1. 將六顆螺絲取下
 2. 護木往前取出
 3. 取下電池
 4. 取下保險絲線組
1. Remove six screws
 2. Remove the handguard from the front
 3. Take out the battery
 4. Remove the low resistance switch assembly and mini fuse

2

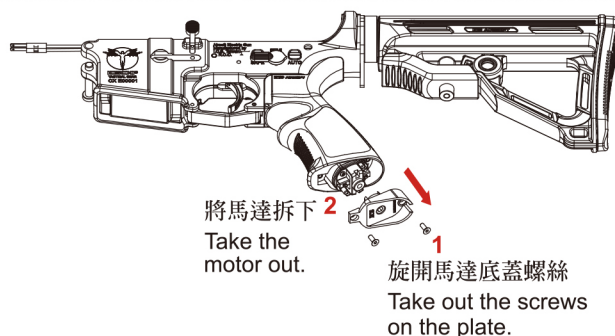


1. 先將槍身後結合銷推出即可打開上槍身
 2. 拉柄連同上BOX一同取出
 3. 取出H-UP組
 4. 再將槍身前結合銷推出
 5. 取出上槍身
1. Push-off the rear receiver pin to separate the upper receiver
 2. Take out the charging handle with upper gear box together
 3. Remove the H-UP set
 4. Push-off the front receiver pin
 5. Remove the upper receiver

取下握把
Remove the grip

旋開握把底部螺絲
Release the screws inside the grip

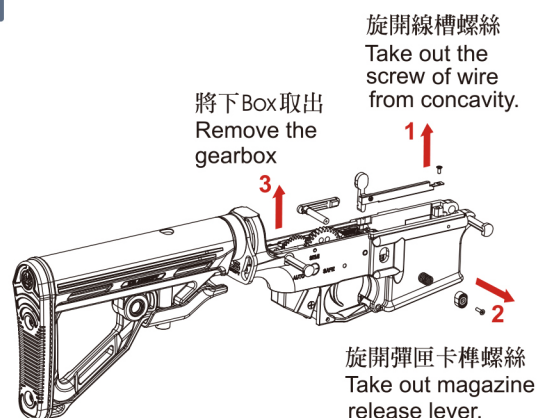
3



將馬達拆下
Take the motor out.

旋開馬達底蓋螺絲
Take out the screws on the plate.

5



將下Box取出
Remove the gearbox

旋開線槽螺絲
Take out the screw of wire from concavity.

旋開彈匣卡榫螺絲
Take out magazine release lever.

7 各部零件說明 Description

*每一款槍型基本配備不同依實際出貨為主。圖片僅供參考。
The components/accessories for each model may have kind of differences depending on the actual goods. Images are only for reference.

ICS-260 Proline



Patents acquired: R.O.C. M244431 / US7077117B1 / R.O.C. D159178 / USD706880S / R.O.C. M320468 / R.O.C. D160112 / USD706879S / R.O.C. D169081 / USD721407S / R.O.C. M480664 / EM002246579-0001

WARNING 警告 電槍使用之注意事項 Maintenance

- 請勿使用回收及劣質的 BB 彈，以減少槍管損耗與避免卡彈的情形發生。
 - 如發現有卡彈的情形，應立即停止射擊，如卡彈後再勉強射擊，則會增加齒輪損耗。請使用內附通槍條，將卡彈清除後才可繼續使用。若完成通槍基本故障排除後仍無法使用時，請回原採購店家或專業經銷商尋求維修服務。
 - 使用前請先確定您的電池已充滿電，當使用中發覺電池即將用盡或射擊速度降低時，應立即更換電池。
 - 請定期使用通槍條清潔槍管，以保持槍支射擊時的準確性及減少卡彈的情形發生。
 - 請勿經常空槍射擊，以減少BOX及齒輪不必要的損耗。
- 使用前請務必詳閱此說明書限18歲以上使用
Always read through this manual before operation.
User restricted to 18 years of age or older.
- Do not use recycle or low quality BB pellets to reduce the barrel damage and prevent from jams.
 - When a BB pellet is jammed, cease fire immediately. Firing under jam may cause damage on gears. Please use the cleaning rod that came with your airsoft gun to push it into the barrel by moving down gently until the jammed BB pellet comes out. If the jam still cannot be solved, please contact your original purchase retailer or ask for professional agent for repair service.
Note: No need to remove the barrel when eliminating jam.
 - Please make sure the battery is fully charged before using. When the battery is run out or firing speed is decreasing, new battery has to be replaced immediately.
 - Please use cleaning rod periodically to clean the barrel to ensure the firing precision and reduce jam.
 - Do not dry fire the airsoft gun at any time to reduce damage to the gearbox.



WWW.ICSSBB.COM