

1 各部名稱 Component names



ICS-264 Proline



ICS-265 Proline



IMT-264-1 Proline



IMT-265-1 Proline

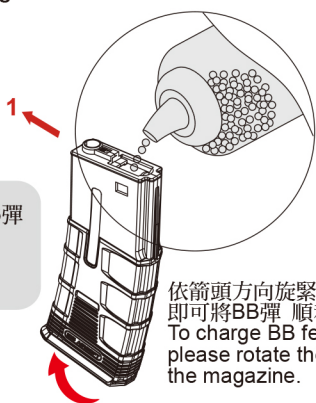


2 彈匣使用方式 Magazine Attachment

2-1 裝BB彈方式 Load BBs

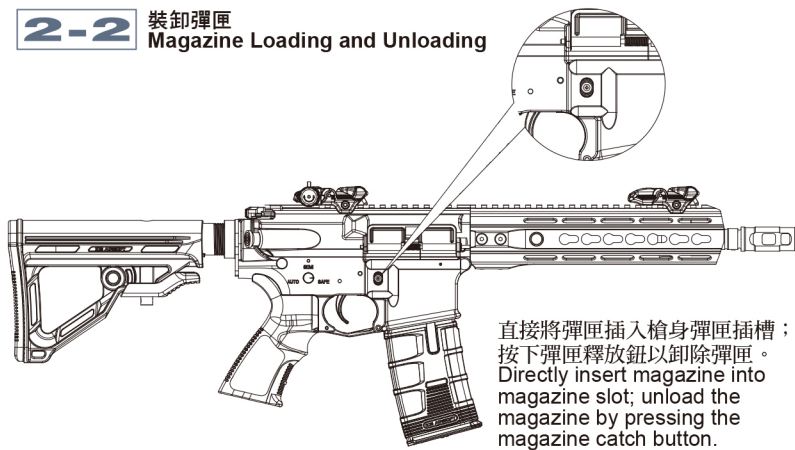
將彈匣上蓋依箭頭方向推開再倒入BB彈。
Open the cover to load BBs.

建議使用 ICS 6mm BB彈
ICS 6mm caliber BBs are recommended for optimum performance.



依箭頭方向旋緊彈匣底下旋鈕，即可將BB彈順利送出。
To charge BB feed spring, please rotate the gear under the magazine.

2-2 裝卸彈匣 Magazine Loading and Unloading

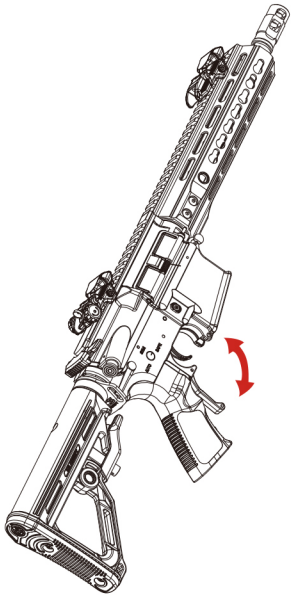


直接將彈匣插入槍身彈匣插槽；按下彈匣釋放鈕以卸除彈匣。
Directly insert magazine into magazine slot; unload the magazine by pressing the magazine catch button.

3

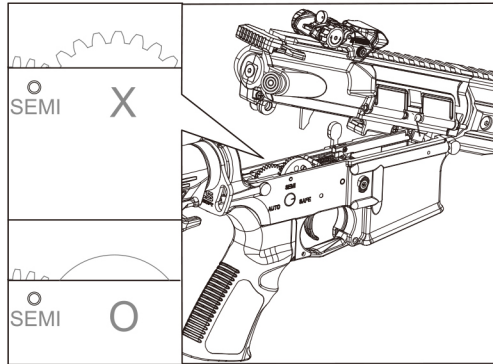
可動部的說明 Movable Parts

3-1 扳機護弓 Trigger Guard



扳機護弓可開或關
Removable - folding
trigger guard

3-2 槍身結合 3 號齒正確位置圖 The correct position of No.3 gear before reassembling

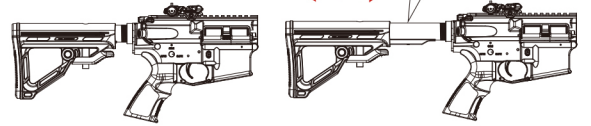
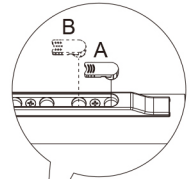


3號齒在槍身結合時，必須轉到正確位置，才可將上槍身蓋下。
Make sure sector gear is turned to the correct position before reassembling the receiver/gearbox.

3-3 調整伸縮托長度 Adjust Retractable Stock Length

注意：依所選購的 Li-Po 電池大小，將托桿膠塊安裝於A或B，以免托桿作動時損傷電池。

Attention: According to the Li-Po battery size, install the rubber block into position A or B to avoid damaging battery during adjusting retractable stock.

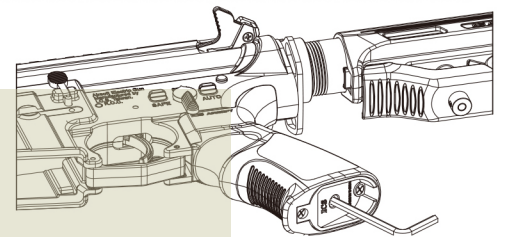


按下卡榫，即可將伸縮托向後拉或向前推，共有4~5段可供調整長度。
Press and hold the stock release lever to unlock. Adjust the 4~5position retractable stock to the most comfortable position.

3-4 馬達間隙調整 Motor Gap Adjustment

使用4mm六角扳手來進行馬達傘齒間隙調整(出廠前已調整好)。

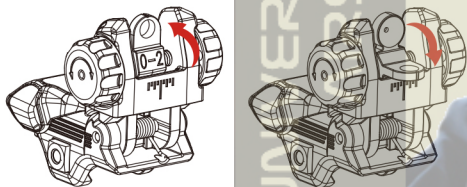
Use 4mm Allen key to wake the fine-turn adjustment. (Adjust when needed. Already made before out of factory)



4 精確射擊調整動作 Ironsight adjustment

4-1 覘孔調整方式 Rear Sight Adjustment

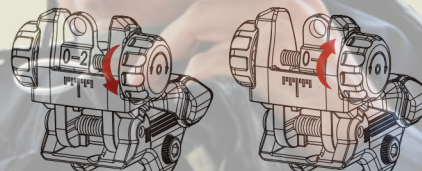
A: 精密射擊調整 Rear sight precision targeting adjustment



Forward

Backward

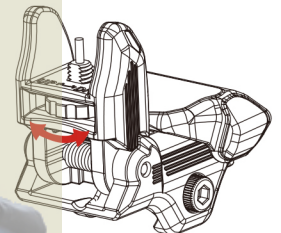
B: 覘孔左右調整 Rear sight left-right adjustment



Left

Right

4-2 準星高度調整 Front sight adjustment



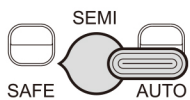
近距將覘孔往前推/遠距將覘孔往後推
Common/close-range low-light shooting.
Push forward to engage battle sight.
Precision daylight shooting.
Push backward to engage peep hole.

依旋鈕方向旋轉即可將覘孔組左右調整
Turn clockwise to aim right.
Turn counter clockwise to aim left.

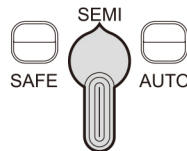
將調整鈕轉左即可升高準星
將調整鈕轉右即可降低準星
Turn the dial left to raise the hitting point
Turn the dial right to lower the hitting point

4-3 單連發選擇方式 Selector lever setting

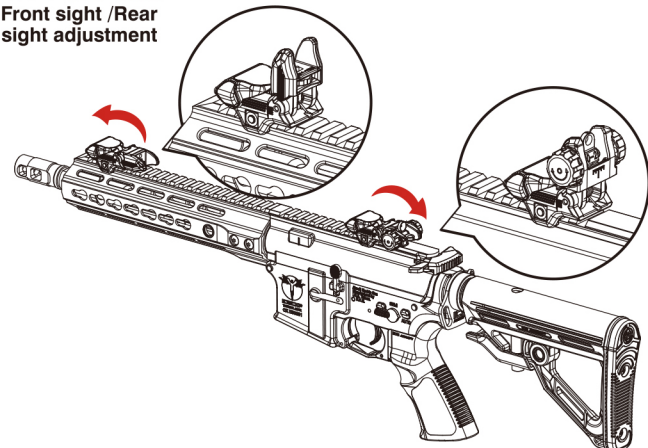
保險 Safety



單發 Semi automatic

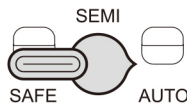


準星 / 覘孔可扳動
Front sight / Rear sight adjustment



保險與止逆轉釋放同步
Switch the safety selector lever to safe position and forward

連發 Fully automatic



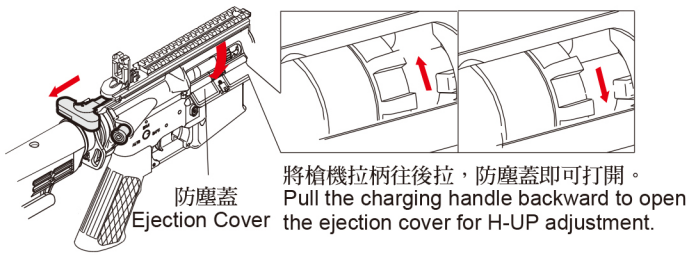
1. 槍枝使用完畢轉至單發狀態下發射2~3下後再關保險，可將活塞彈簧回覆至原處。
2. 槍身做分解時，必須先釋放活塞彈簧，才可做分解動作。

1. After playing, fire 2-3 by using semi automatic, then switch the selector lever to safety position to release the spring tension before storage.
2. Before disassembling the gearbox, always release the spring by turning selector lever to safety position.

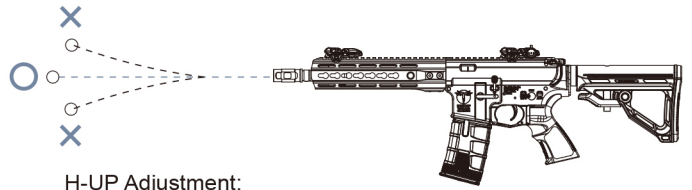
5

H-UP彈道調整 H-UP adjustment

1. 調整撥盤向上使子彈下降
1. Rotate the dial counter-clockwise to make the pellet go down.
2. 調整撥盤向下使子彈上升
2. Rotate the dial clockwise to make the pellet go up.



H-UP調整：
子彈過於上飄，請調整撥盤向上旋轉。子彈過於下墜，請調整撥盤向下旋轉。BB彈呈現一直線的彈道才是正確射法。



H-UP Adjustment:
When the BB pellet rises up, rotate the dial counter-clockwise to lower trajectory down. When the BB pellet falls down, rotate the dial clockwise to raise the trajectory up. Make sure the trajectory of BB pellet to be straight.

6

電池及護木的拆裝方法 Disassemble for Battery and Handguard



※重新組裝時，必須依反向動作組合

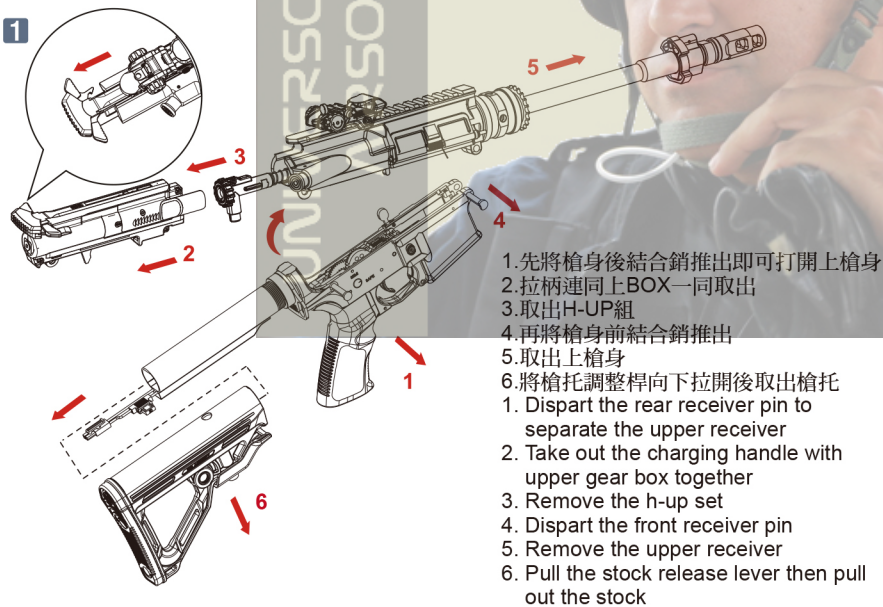
Reassembling is the reverse of disassembling procedures.



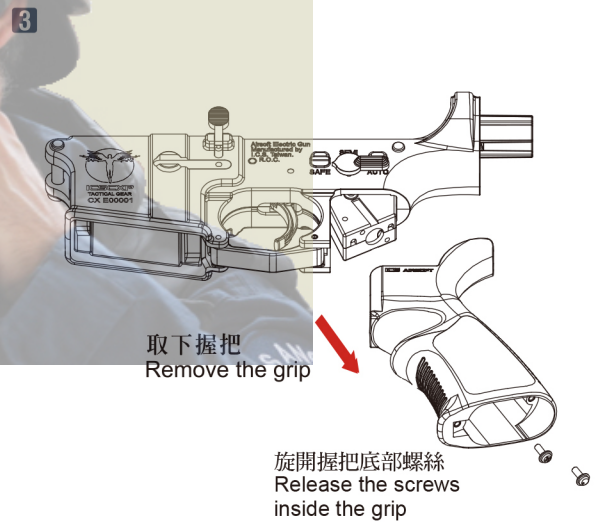
1. Remove stock to install batteries
2. Release handguard screws
3. Pull out the handguard

7

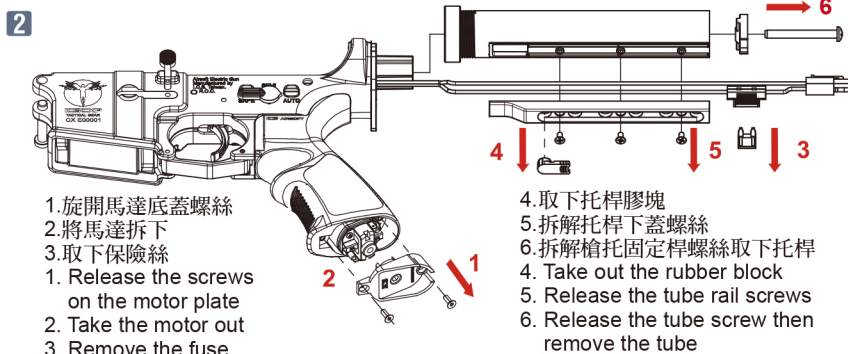
齒輪箱拆解 Disassemble Gear-box



1. Dispart the rear receiver pin to separate the upper receiver
2. Take out the charging handle with upper gear box together
3. Remove the h-up set
4. Dispart the front receiver pin
5. Remove the upper receiver
6. Pull the stock release lever then pull out the stock

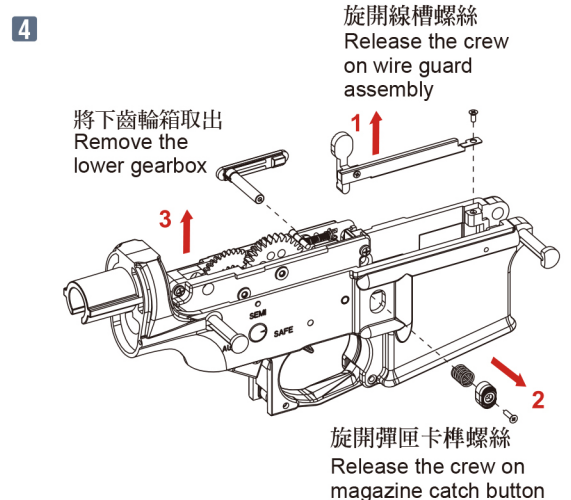


旋開線槽螺絲
Release the crew on wire guard assembly



1. Release the screws on the motor plate
2. Take the motor out
3. Remove the fuse

4. Take out the rubber block
5. Release the tube rail screws
6. Release the tube screw then remove the tube



將下齒輪箱取出
Remove the lower gearbox

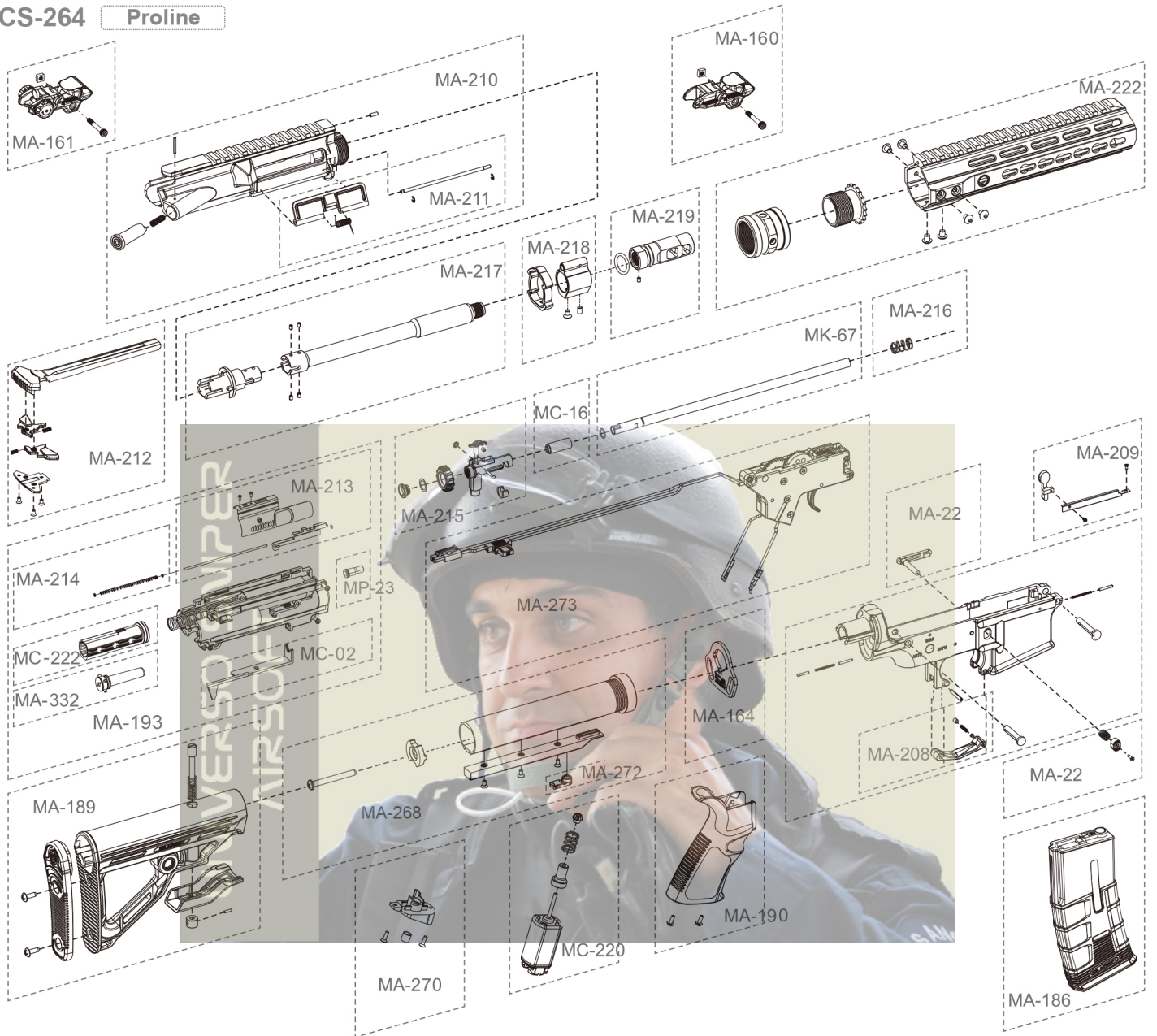
旋開線槽螺絲
Release the crew on wire guard assembly

旋開彈匣卡榫螺絲
Release the crew on magazine catch button

8 各部零件說明 Description

ICS-264 Proline

*每一款槍型基本配備不同依實際出貨為主。圖片僅供參考。
The components/accessories for each model may have kind of differences depending on the actual goods. Images are only for reference.



Patents acquired: R.O.C. D159178 / US D706,880 S / R.O.C. D160112 / US D706,879 S / R.O.C. D169081 / US D721,407 S / R.O.C. M244431 / R.O.C. M320468 / US 7,077,117 B1 / R.O.C. M480664 / EM002246579-0001

WARNING 警告 電槍使用之注意事項 Maintenance

- 請勿使用回收及劣質的 BB 彈，以減少槍管損耗與避免卡彈的情形發生。
 - 如發現有卡彈的情形，應立即停止射擊，如卡彈後再勉強射擊，則會增加齒輪損耗。請使用內附通槍條，將卡彈清除後才可繼續使用。若完成通槍基本故障排除後仍無法使用時，請回原採購店家或專業經銷商尋求維修服務。
 - 使用前請先確定您的電池已充滿電，當使用中發覺電池即將用盡或射擊速度降低時，應立即更換電池。
 - 請定期使用通槍條清潔槍管，以保持槍支射擊時的準確性及減少卡彈的情形發生。
 - 請勿經常空槍射擊，以減少BOX及齒輪不必要的損耗。
- Do not use recycle or low quality BB pellets to reduce the barrel damage and prevent from jams.
 - When a BB pellet is jammed, cease fire immediately. Firing under jam may cause damage on gears. Please use the cleaning rod that came with your airsoft gun to push it into the barrel by moving down gently until the jammed BB pellet comes out. If the jam still cannot be solved, please contact your original purchase retailer or ask for professional agent for repair service.
Note: No need to remove the barrel when eliminating jam.
 - Please make sure the battery is fully charged before using. When the battery is run out or firing speed is decreasing, new battery has to be replaced immediately.
 - Please use cleaning rod periodically to clean the barrel to ensure the firing precision and reduce jam.
 - Do not dry fire the airsoft gun at any time to reduce damage to the gearbox.
- 使用前請務必詳閱此說明書限18歲以上使用
Always read through this manual before operation.
User restricted to 18 years of age or older.



WWW.ICSBBS.COM