

1 各部名稱 Component names



ICS-85 Proline



ICS-87 Proline

ICS-86 Proline



	ICS-85	ICS-86	ICS-87
Length	:786.5(mm)	:912.8(mm)	:740(mm)
Barrel length (mm)	:480	:550	:420
Muzzle velocity	:120 m/s(360fps)	:120 m/s(360fps)	:120 m/s(360fps)
Weight (g)	:3652	:4411	:3090
Battery type	:11.1V Li-Po or 9.6V Ni-Mh	:11.1V Li-Po or 9.6V Ni-Mh	:11.1V Li-Po or 9.6V Ni-Mh
Connector size	:Small connector	:Small connector	:Small connector
Mag. capacity	:450	:450	:450
Spring	:M120	:M120	:M120
Material	:Full metal	:Full metal	:Full metal
Motor axle	:Short	:Short	:Short

*每一款槍型基本配備不同依實際出貨為主。圖片僅供參考。
The components/accessories for each model may have kind of differences depending on the actual goods. Images are only for reference.

Patents acquired: R.O.C M336427/ R.O.C. I320473

WARNING 警告 電槍使用之注意事項 Maintenance

- 請勿使用回收及劣質的 BB 彈，以減少槍管損耗與避免卡彈的情形發生。
 - 如發現有卡彈的情形，應立即停止射擊，如卡彈後再勉強射擊，則會增加齒輪損耗。請使用內附通槍條，將卡彈清除後才可繼續使用。若完成通槍基本故障排除後仍無法使用時，請回原採購店家或專業經銷商尋求維修服務。
 - 使用前請先確定您的電池已充滿電，當使用中發覺電池即將用盡或射擊速度降低時，應立即更換電池。
 - 請定期使用通槍條清潔槍管，以保持槍支射擊時的準確性及減少卡彈的情形發生。
 - 請勿經常空槍射擊，以減少BOX及齒輪不必要的損耗。
- 使用前請務必詳閱此說明書限18歲以上使用
Always read through this manual before operation.
User restricted to 18 years of age or older.
- Do not use recycle or low quality BB pellets to reduce the barrel damage and prevent from jams.
 - When a BB pellet is jammed, cease fire immediately. Firing under jam may cause damage on gears. Please use the cleaning rod that came with your airsoft gun to push it into the barrel by moving down gently until the jammed BB pellet comes out. If the jam still cannot be solved, please contact your original purchase retailer or ask for professional agent for repair service.
Note: No need to remove the barrel when eliminating jam.
 - Please make sure the battery is fully charged before using. When the battery is run out or firing speed is decreasing, new battery has to be replaced immediately.
 - Please use cleaning rod periodically to clean the barrel to ensure the firing precision and reduce jam.
 - Do not dry fire the airsoft gun at any time to reduce damage to the gearbox.

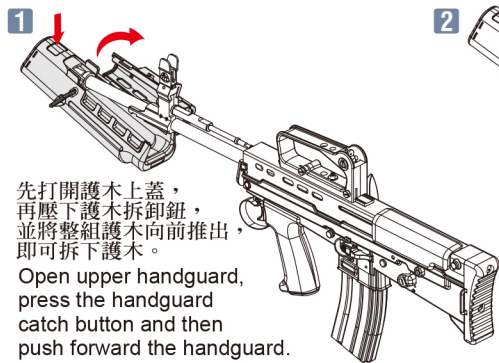


WWW.ICSB.COM

2

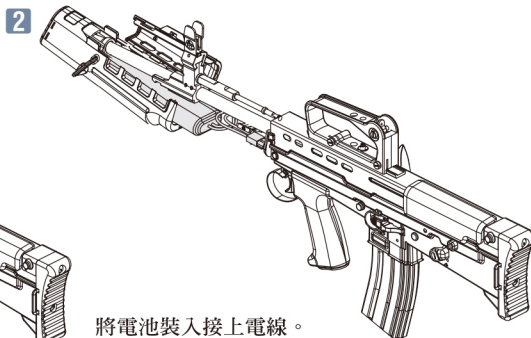
安裝電池 Battery Installation

ICS-85



先打開護木上蓋，再壓下護木拆卸鈕，並將整組護木向前推出，即可拆下護木。

Open upper handguard, press the handguard catch button and then push forward the handguard.

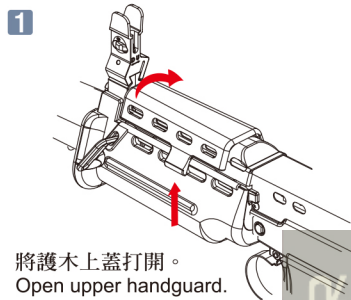


將電池裝入接上電線。
Install battery and connect power cord.

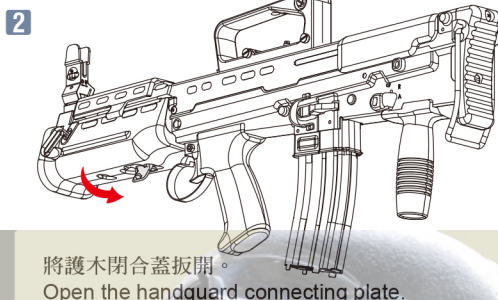


1. 往後推，將護木推回與槍身固定。
(會聽到卡榫定位聲)
2. 將電線接頭塞在護木剩餘空間內。
3. 再蓋上護木上蓋。
Assemble handguard and manage wire, close upper handguard

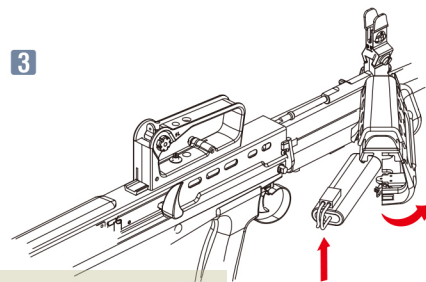
ICS-86/ ICS-87



將護木上蓋打開。
Open upper handguard.



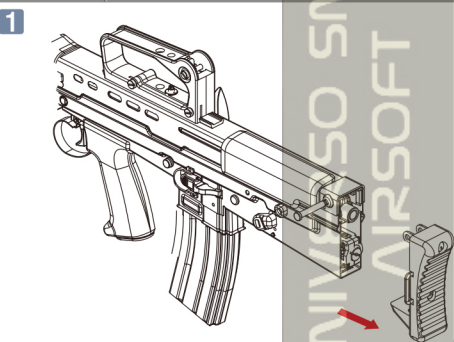
將護木閉合蓋扳開。
Open the handguard connecting plate.



將護木向側方拉開，置入電池，接上電源線，再將上蓋及閉合蓋關上即可。
Move the handguard sideward to install battery and then close it.

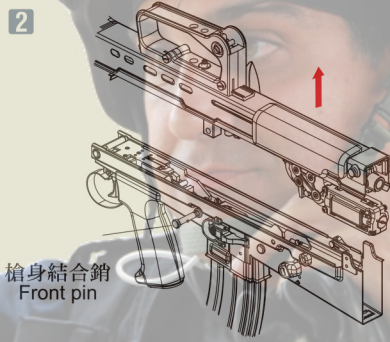
3

齒輪箱拆解 Disassemble Gearbox

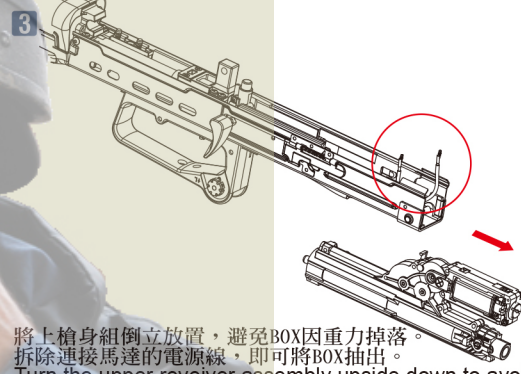


取下槍托結合銷，將槍托底板卸下。
Push out the rear pin to remove the butt plate.

注意 CAUTION ※重新組裝時，必須依反向動作組合
Reassembling is the reverse of disassembling procedures.



槍身結合銷
Front pin
將槍身結合銷拆卸，將上下槍身分離。
Push out the front pin to separate upper and lower receivers.



將上槍身組倒立放置，避免BOX因重力掉落。拆除連接馬達的電源線，即可將BOX抽出。
Turn the upper receiver assembly upside down to avoid gearbox dropping. Release motor wire and then take out the gearbox.

4

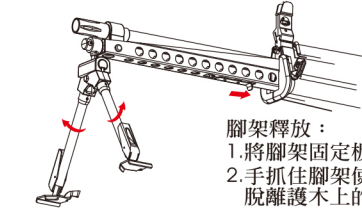
腳架說明 Store Bipod

ICS-86



腳架固定：
1. 將腳架固定板往後拉。
2. 手抓住腳架使之併齊，將腳架兩卡勾裝進護木上的定位孔。
3. 將手釋放即可緊扣於護木上。

Store Bipod
1. Pull the bipod release
2. Grab the bipod to insert the hook to the positioning hole.
3. Release the bipod release.



腳架釋放：
1. 將腳架固定板往後拉。
2. 手抓住腳架使之併齊，脫離護木上的定位孔。
3. 脫離定位孔後將手釋放，腳架即可自然伸展開。

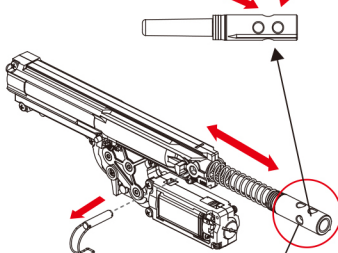
Open Bipod
1. Pull the bipod release.
2. Grab the bipod to make the hook been released from positioning hole.
3. Release the bipod.

5

活塞簧力微調 Spring Adjustment

結合銷插後孔為 HIGH
Rear hole for high power

結合銷插前孔為 LOW
Front hole for low power

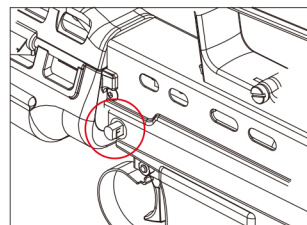


將結合銷抽出後，BOX 活塞簧力可作三段微調。
Pull out the spring guide pin to make 3-position spring adjustment.

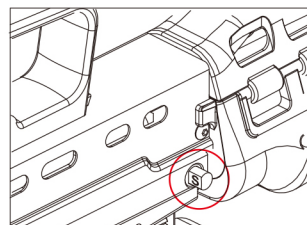
結合銷插中間孔為 MEDIAN
Middle hole for median power

6

保險切換 Safety Switch



保險切換至 F 位置，則扣壓扳機可擊發。
Turn to F, pull trigger to shoot.



保險切換至 S 位置，則無法扣壓扳機進行擊發。
Turn to S, the trigger is locked.

7

H-UP彈道調整 H-UP adjustment

槍機固定在後：

1. 將槍機拉柄往後拉到底，
2. 將槍機釋放鈕往上撥，再微放槍機拉柄。可使槍機拉柄固定在後。此狀態即可進行撥盤調整。
3. 再快速拉動一次拉柄，即可進行釋放槍機動作。

1. Pull the charging handle to the rear.
2. Flip up the charging handle release to fix the charging handle and then adjust the H-UP.
3. Pull the charging handle again to release it back to place.

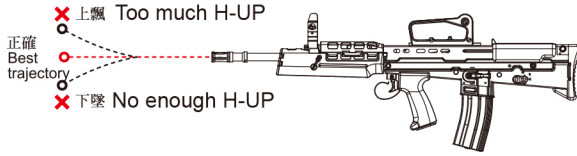


調整方法：

1. 將撥盤往後旋轉調整，即可使BB彈往上飄。
 2. 將撥盤往前旋轉調整，即可使BB彈往下墜。
- (亦可使用十字起子進行調整動作。)

Adjustment:

1. Turn the dial counterclockwise to increase H-UP.
 2. Turn the dial clockwise to decrease H-UP.
- (Use a Phillips crewdriver to adjust)



8

彈匣使用方式 Magazine Attachment

8-1 裝BB彈方式 load BBs

建議使用ICS 6mm BB彈
Suggest to use ICS 6mm BBs

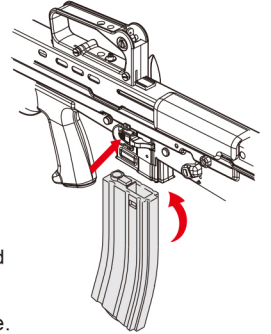


將彈匣上蓋依箭頭方向推開再倒入 B.B. 彈
Open the cover to load BBs. Please use ICS 6mm caliber BBs for optimum performance.

依箭頭方向旋緊彈匣底下旋鈕，即可將 B.B. 彈順利送出。
To charge BB feed spring, please wind magazine.

8-2 彈匣上下方式 Magazine loading and unloading

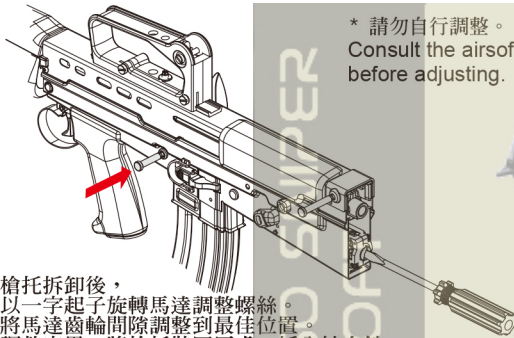
Magazine loading and unloading



按下彈匣卡榫即可將彈匣裝入或拆下
Press the magazine catch to load or unload the magazine.

9

馬達間隙調整 Fine Adjustment Of Gear Engagement

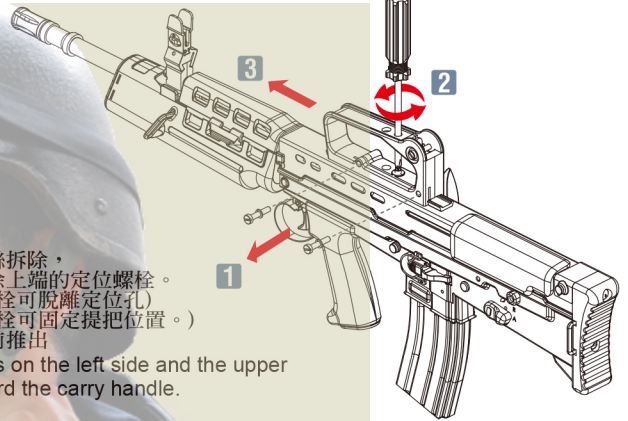


* 請勿自行調整。
Consult the airsoftsmith before adjusting.

槍托拆卸後，以一字起子旋轉馬達調整螺絲。將馬達齒輪間隙調整到最佳位置。調整完畢，將槍托裝回原處，插入結合銷。
Remove the butt plate and then use a flat head screwdriver to adjust the engagement. After adjustment, install the butt plate and the receiver pin back in place.

10

提把拆卸 Disassemble Carry Handle



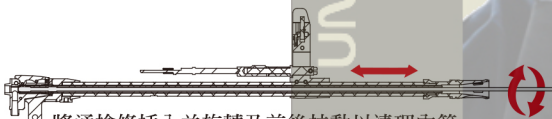
提把拆卸：

1. 將側邊兩顆螺絲拆除，
2. 以十字起子拆除上端的定位螺絲。(往上旋轉定位螺絲可脫離定位孔)(往下鎖固定位螺絲可固定提把位置。)
3. 將整組提把往前推出

Release 2 screws on the left side and the upper screw. Sild forward the carry handle.

11

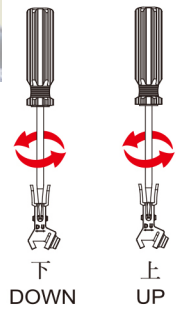
通槍條使用方式 How To Use A Cleaning Rod



將通槍條插入並旋轉及前後拉動以清理內管。
Insert cleaning rod, turn left and right, move back and forward.

12

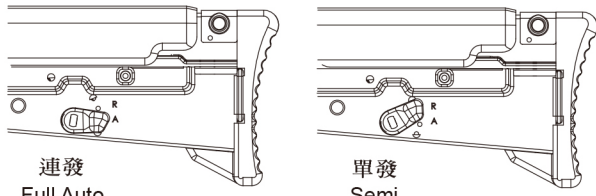
準星高度調整 Front Sights Adjustment



以尖端物體 (如螺絲起子) 壓下後端按鈕，將準星調整桿壓入、轉動準星調整鈕即可調整高低。
Use screw driver to press the button and then adjust the height of front sight.

13

單連發選擇方式 Selector Lever Setting



連發
Full Auto

單發
Semi

14

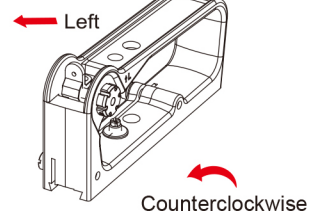
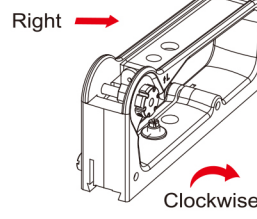
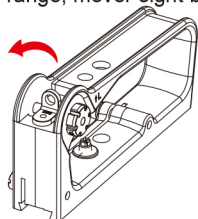
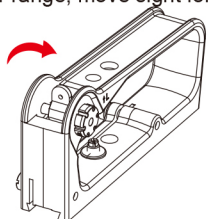
覘孔左右調整 Rear Sight Adjustment

遠距：將覘孔往前推
Forward
For far range, move sight forward.

近距：將覘孔往後推
Backward
For close range, mover sight backward.

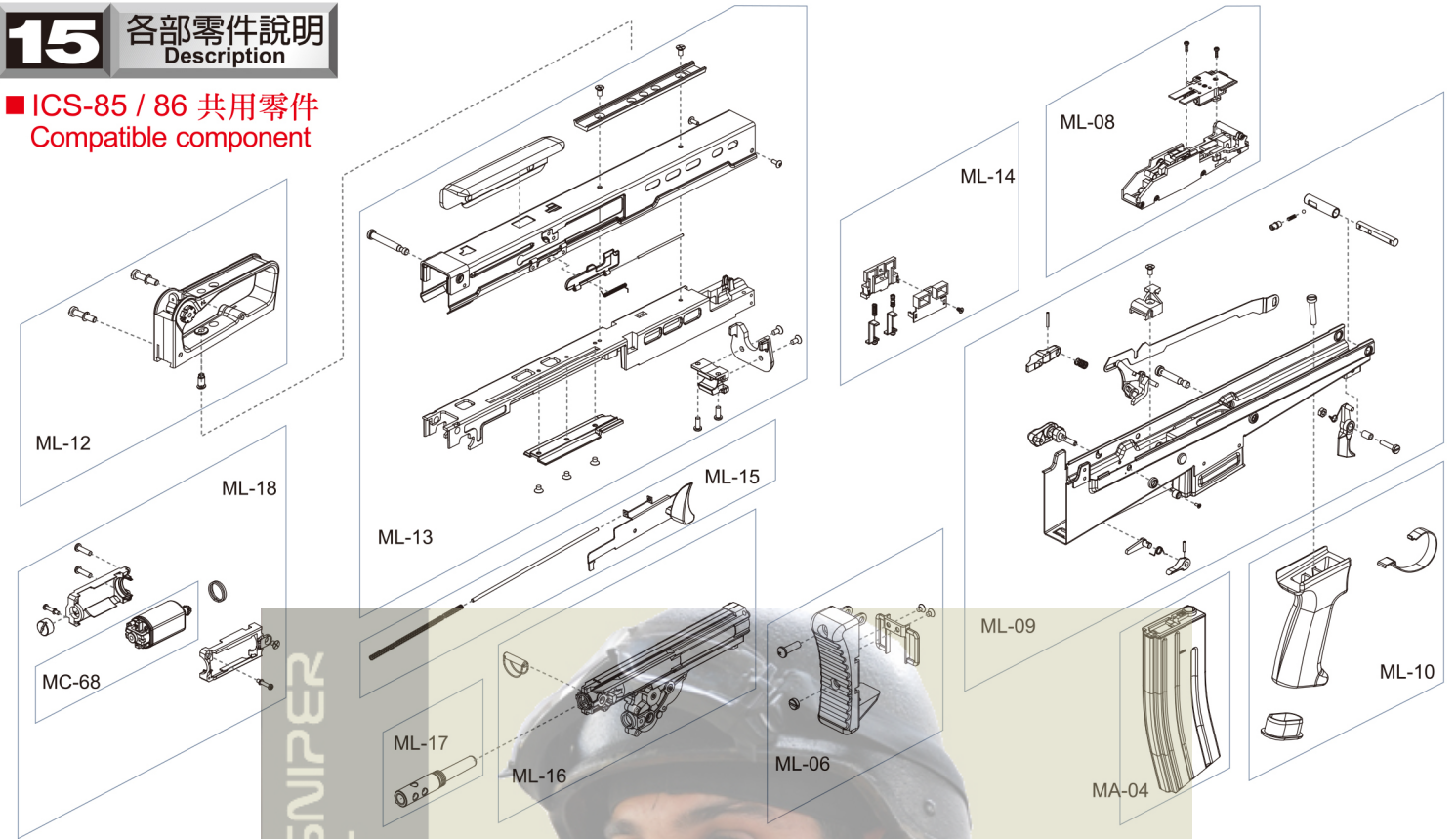
順時針旋轉則覘孔往右移

逆時針旋轉則覘孔往左移

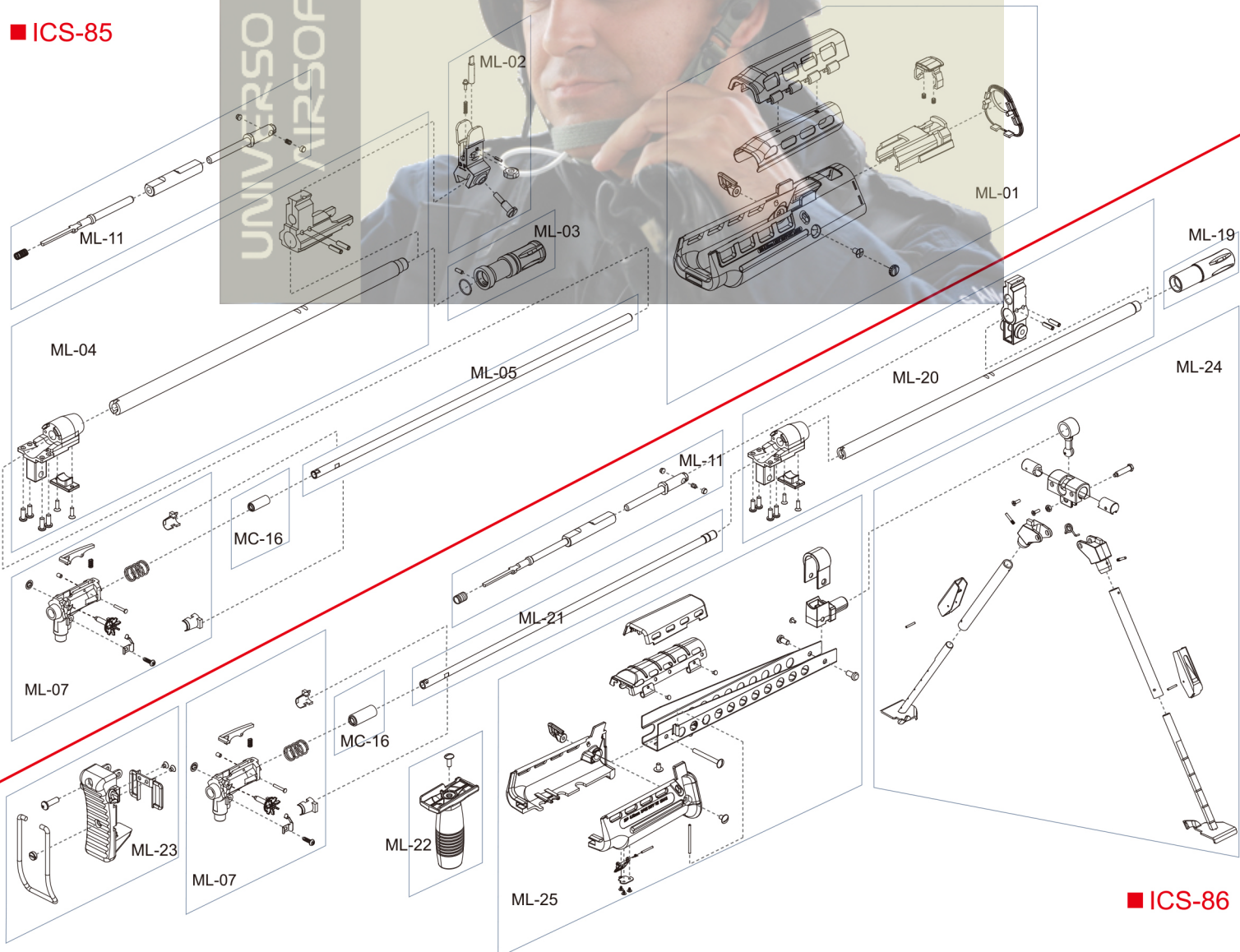


15 各部零件説明 Description

■ ICS-85 / 86 共用零件
Compatible component



■ ICS-85



■ ICS-86