

1

M1系列各部名稱
M1 Series Components

Limited Version



■ ICS-201L M1 GARAND Metal / Wood



*每一款槍型基本配備不同依實際出貨為主。圖片僅供參考。
The components/accessories for each model may have kind of differences depending on the actual goods. Images are only for reference.



WARNING 警告 電槍使用之注意事項 Maintenance

1. 請勿使用回收及劣質的 BB 彈，以減少槍管損耗與避免卡彈的情形發生。
1. Do not use recycle or low quality BB pellets to reduce the barrel damage and prevent from jams.
 2. 如發現有卡彈的情形，應立即停止射擊，如卡彈後再勉強射擊，則會增加齒輪損耗。請使用內附通槍條，將卡彈清除後才可繼續使用。若完成通槍基本故障排除後仍無法使用時，請回原採購店家或專業經銷商尋求維修服務。
2. When a BB pellet is jammed, cease fire immediately. Firing under jam may cause damage on gears. Please use the cleaning rod that came with your airsoft gun to push it into the barrel by moving down gently until the jammed BB pellet comes out. If the jam still cannot be solved, please contact your original purchase retailer or ask for professional agent for repair service.
Note: No need to remove the barrel when eliminating jam.
 3. 使用前請先確定您的電池已充滿電，當使用中發覺電池即將用盡或射擊速度降低時，應立即更換電池。
3. Please make sure the battery is fully charged before using. When the battery is run out or firing speed is decreasing, new battery has to be replaced immediately.
 4. 請定期使用通槍條清潔槍管，以保持槍支射擊時的準確性及減少卡彈的情形發生。
4. Please use cleaning rod periodically to clean the barrel to ensure the firing precision and reduce jam.
 5. 請勿經常空槍射擊，以減少BOX及齒輪不必要的損耗。
5. Do not dry fire the airsoft gun at any time to reduce damage to the gearbox.
- 使用前請務必詳閱此說明書限18歲以上使用
Always read through this manual before operation.
User restricted to 18 years of age or older.



WWW.ICSB.COM

2

齒輪箱拆解 Disassemble Gearbox

1

5. 放鬆前準星螺絲並拆下前準星
5. Release the front sight hex screw and then remove the front sight.

1. 壓槍機釋放鈕
1. Press magazine release button

2. 取下彈匣
2. Release magazine

3. 向下扳開板機護弓
3. Pull down the trigger guard.

4. 取下扳機組
4. Take out the fire control assembly.

2

1. 放鬆內六角螺絲
1. Release the hex screw

2. 拆前槍管組
2. Remove the front barrel set

3. 拆前護木組
3. Remove the front handguard set

4. 拆後護木組
4. Remove the rear handguard set

5. 拆上槍身
5. Separate the receiver assembly from the stock

3

1. 往前推槍機覆進簧後並取下再拆除槍機拉柄
1. Push the spring forward then take it out, then remove the bolt carrier.

2. 拆除軸心與螺絲後取下槍管
2. Release the screws and pins, and then remove the barrel.

4

2. 將固定螺絲拆除
2. Release the screws from other side.

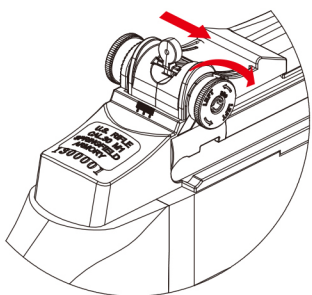
1. 先拆除退彈鈕彈簧
1. Remove the magazine release spring.

3. BOX向下取出
3. Take out the gearbox.

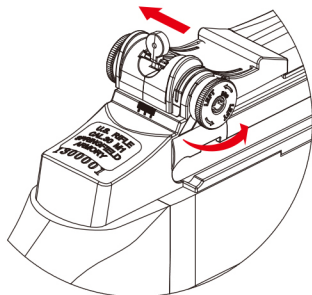
3

覘孔調整方式 Rear Sight Adjustment

Windage adjustment

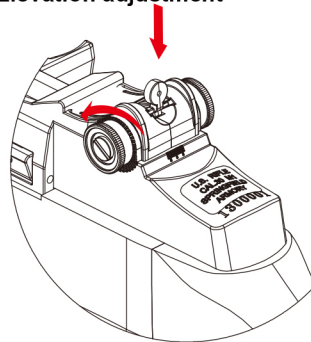


覘孔往右
Turn clockwise to correct the shots leaning to down.

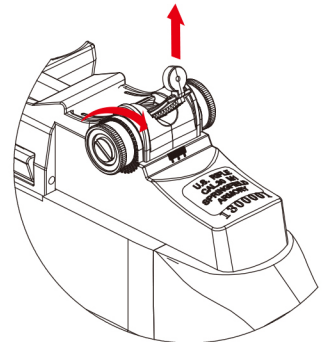


覘孔往左
Turn counter-clockwise to correct the shots leaning to up.

Elevation adjustment



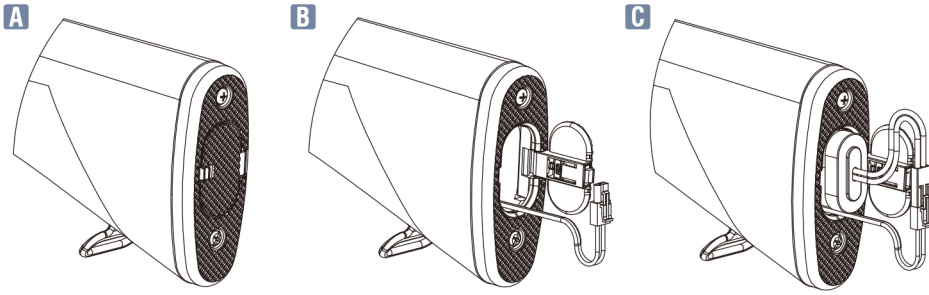
覘孔往下
Turn counter-clockwise to correct the shots leaning to down.



覘孔往上
Turn clockwise to correct the shots leaning to up.

4

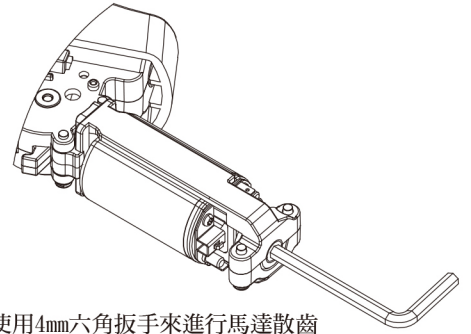
裝電池方法 Install Batteries



打開底蓋即可裝電池
Open the butt plate cover to install the batteries.

5

馬達間隙調整 Motor Gap Adjustment



使用4mm六角扳手來進行馬達散齒間隙調整(出廠時已調整好)
Use the Allen key to make the fine-tune adjustment when needed.
(Already made before out of factory)

6

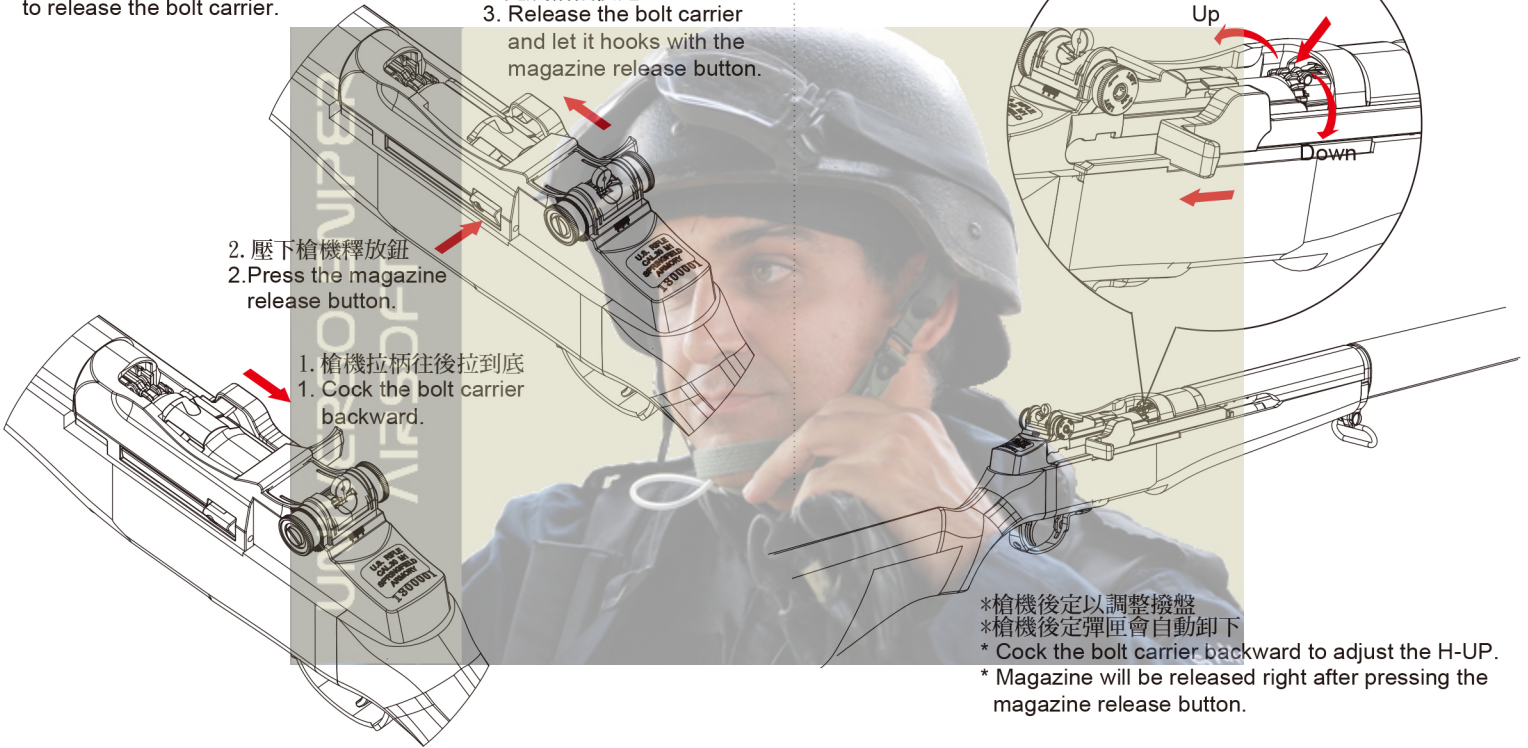
槍機後定 Bolt-Locking

*釋放槍機時直接將拉柄往後拉到底再回彈
* Pull the bolt carrier backward again to release the bolt carrier.

3. 放掉槍機拉柄後自動回彈, 並與槍機釋放鈕互相勾住完成槍機後定
3. Release the bolt carrier and let it hooks with the magazine release button.

2. 壓下槍機釋放鈕
2. Press the magazine release button.

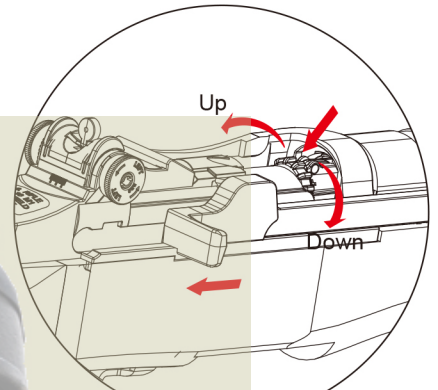
1. 槍機拉柄往後拉到底
1. Cock the bolt carrier backward.



*槍機後定以調整撥盤
*槍機後定彈匣會自動卸下
* Cock the bolt carrier backward to adjust the H-UP.
* Magazine will be released right after pressing the magazine release button.

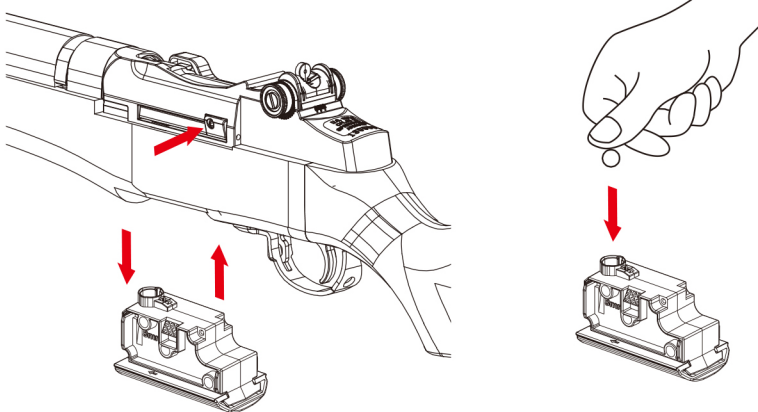
7

H-UP彈道調整 H-UP adjustment



8

彈匣使用方式 Magazine Attachment

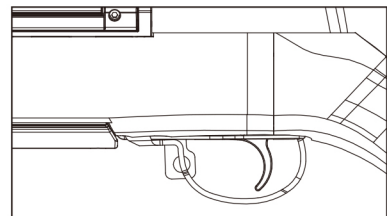


A 上彈匣/卸彈匣
Load & Release

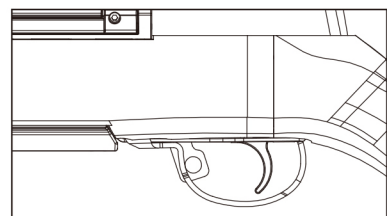
B 裝BB彈方式
Load BBs

9

板機保險 Safety



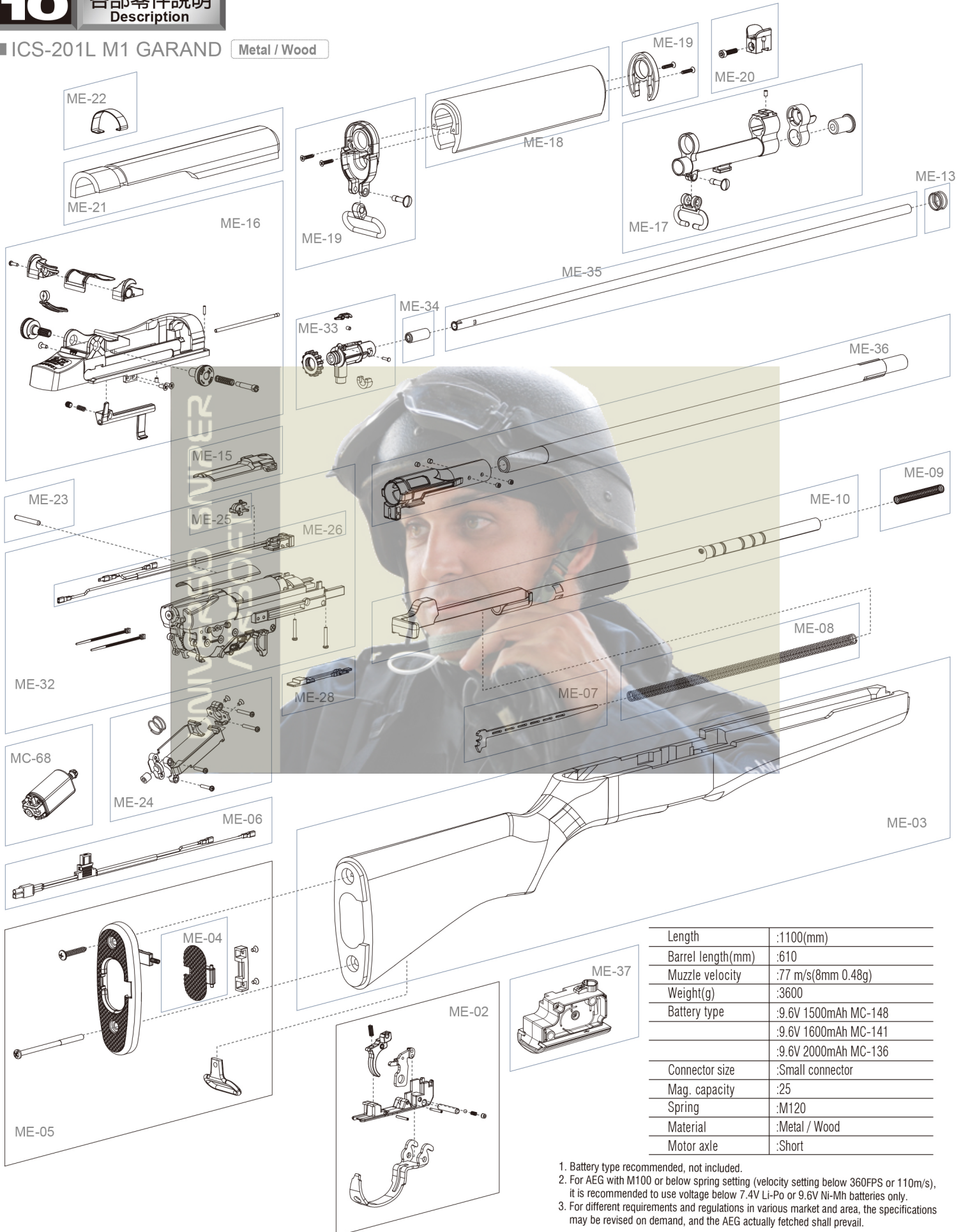
*板機保險開
射擊模式
Safety off



*板機保險關
安全模式
Safety on

10 各部零件說明 Description

■ ICS-201L M1 GARAND Metal / Wood



Length	:1100(mm)
Barrel length(mm)	:610
Muzzle velocity	:77 m/s(8mm 0.48g)
Weight(g)	:3600
Battery type	:9.6V 1500mAh MC-148 :9.6V 1600mAh MC-141 :9.6V 2000mAh MC-136
Connector size	:Small connector
Mag. capacity	:25
Spring	:M120
Material	:Metal / Wood
Motor axle	:Short

1. Battery type recommended, not included.
2. For AEG with M100 or below spring setting (velocity setting below 360FPS or 110m/s), it is recommended to use voltage below 7.4V Li-Po or 9.6V Ni-Mh batteries only.
3. For different requirements and regulations in various market and area, the specifications may be revised on demand, and the AEG actually fetched shall prevail.