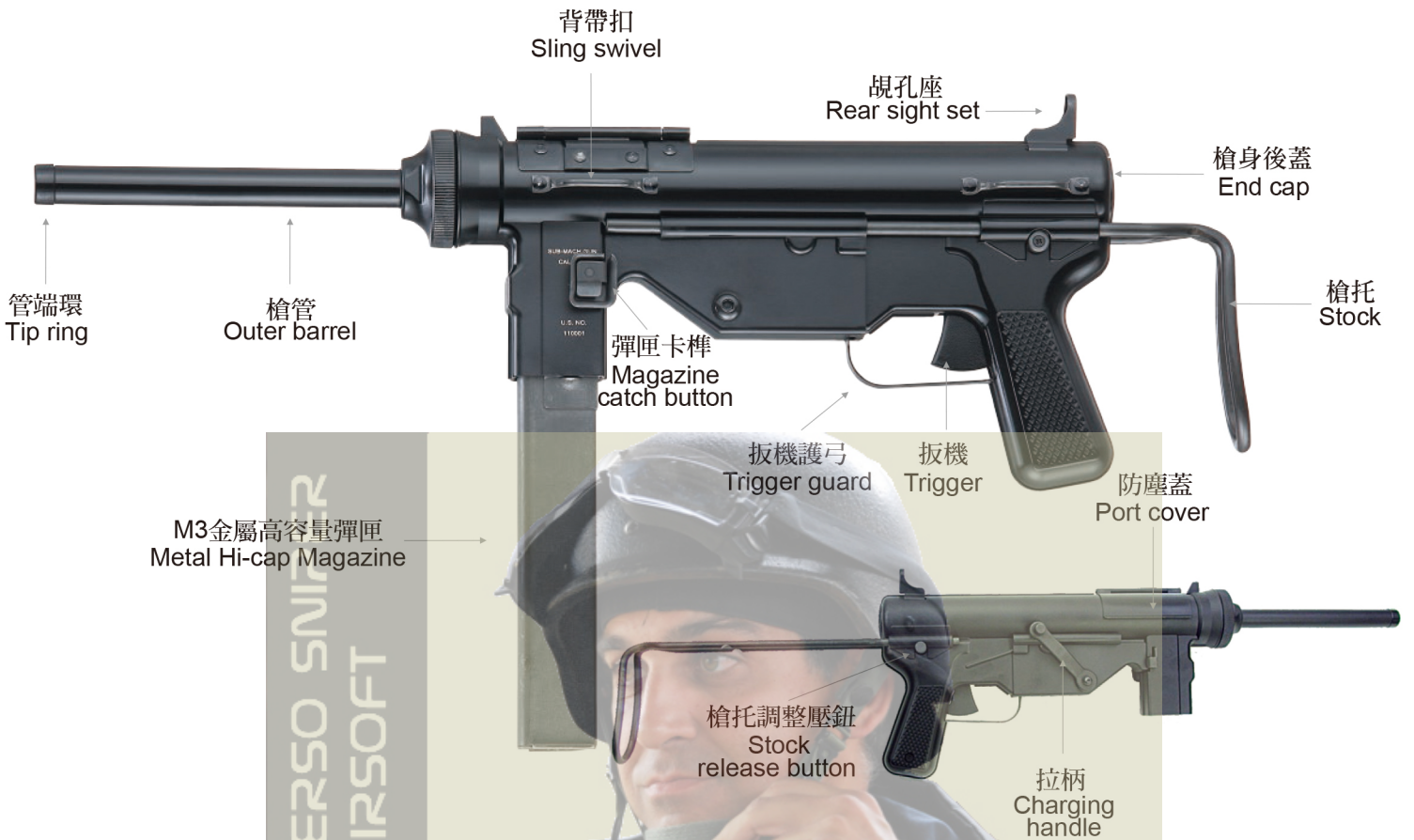


1 M3 系列各部名稱 M3 Series components



■ ICS-200 M3 SUBMACHINE GUN Proline



2 彈匣使用方式 Magazine attachment

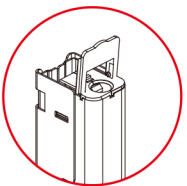
2-1 Magazine Loading and Unloading

直接將彈匣插入槍身彈匣插槽；
按下彈匣釋放鈕以卸除彈匣。
Directly insert magazine into
magazine slot; unload the
magazine by pressing the
magazine catch button.

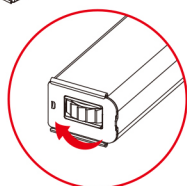


2-2 BB Load BBs

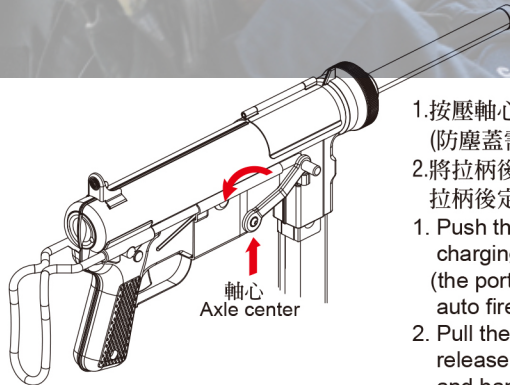
將彈匣上蓋推開再倒入BB彈。
建議採用ICS 6mm BB彈。
Open the cover to load BBs.
ICS 6mm caliber BBs are
recommended for optimum
performance.



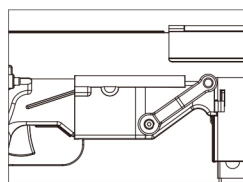
依箭頭方向旋緊彈匣底下旋鈕，
即可將BB彈順利送出。
To charge BB feed spring,
please rotate the gear under
the magazine.



3 選擇射擊模式 Shooting Mode Setting

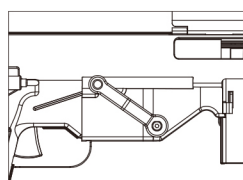


1. 按壓軸心到底，可將拉柄釋放至前方
(防塵蓋需打開)以作預備擊發(連發)
 2. 將拉柄後拉可同時啟動止逆轉，SAFE，
拉柄後定等功能，亦可見軸心明顯浮出
1. Push the axle center to release the
charging handle to the front
position (the port cover has been opened) for
auto fire ready.
 2. Pull the charging handle backward can
release the spring, it is also the safe
and handle fixing function. The axle
center is bulged out when the charging
handle is pull backward.



拉柄置於前方位置時可擊發(AUTO)

The charging handle in the front
position can be auto firing.



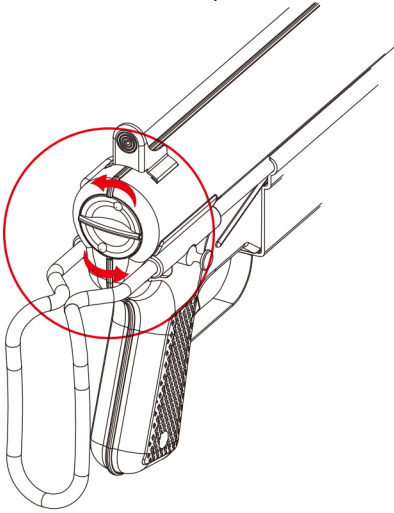
拉柄置於後方位置時
則無法擊發(SAFE/止逆轉釋放)

The charging handle in the rear position can't be fired
(Safe/Spring releasing)

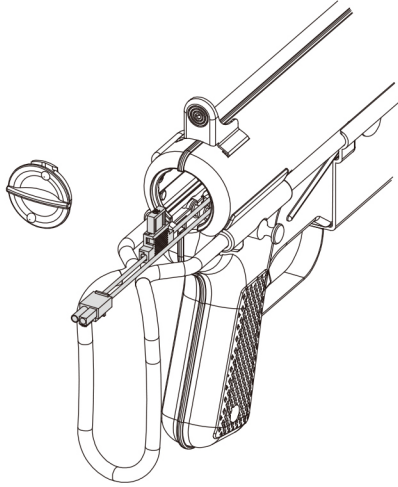
4

裝電池的方法 Battery Installation

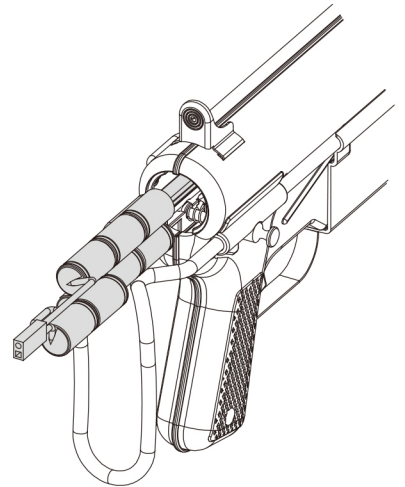
- 1** 將槍身後蓋(電池蓋)逆時針方向旋開
Spin the butt cover (battery room cover) counterclockwise to open.



- 2** 拉出藏在內側的電源線接頭(含保險絲)
Pull out the wire connector (incl. fuse)



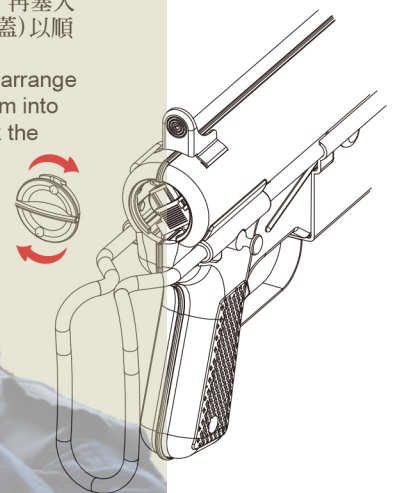
- 3** 如為安裝鎳氫電池，請將其中的兩條3連裝電池以上下並排的方式置入電池倉的最底側
If installing the Ni-Mh battery, please put 2 sticks of 3 pcs connected battery down side by side into the bottom of the battery room.



- 4** 塞入二顆裝電池到底部，並保持電源接頭與電池接頭皆為外露
Then, put one stick of 2pcs connected battery into the battery room. Please keep the wire connector and battery connector in outside.

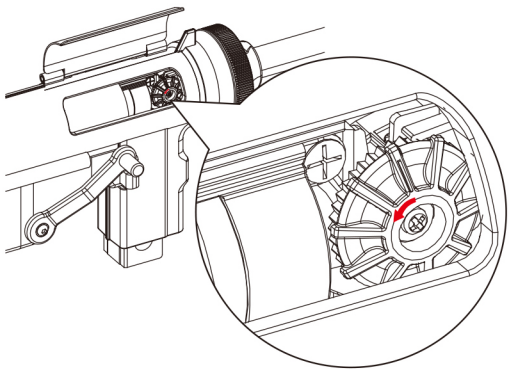


- 5** 接上電源接頭後，先整理接頭，再塞入槍身內，最後將槍身後蓋(電池蓋)以順時針方向旋緊
After connecting the connector, arrange the wire connector, then put them into the battery room, close and lock the button cover.



5

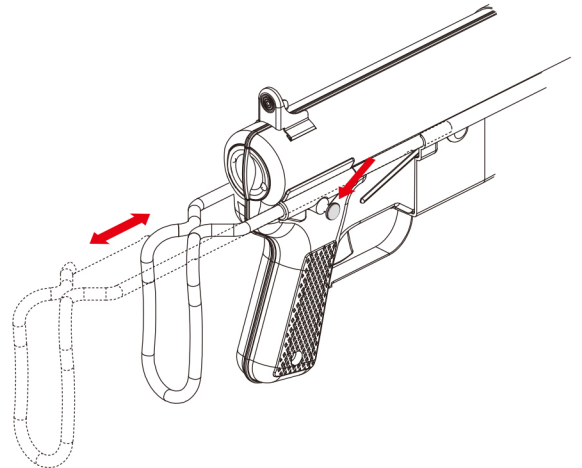
H-UP彈道調整 H-UP adjustment



1. 防塵蓋打開後將槍機拉柄往後拉
2. 調整法: 子彈如果向上飄，將H-UP環向前旋轉
子彈如果向下墜，將H-UP環向後旋轉
讓BB彈呈一直線的彈道才是正確的位置
1. Open the port cover, and then pull the charging handle backward.
2. Adjustment: When the pellets are flying upward, rotate the dial clockwise to make the pellet go down. When the pellets are flying downward, rotate the dial counter-clockwise to make the pellet go up. Keep the pellets are flying in the level line.

6

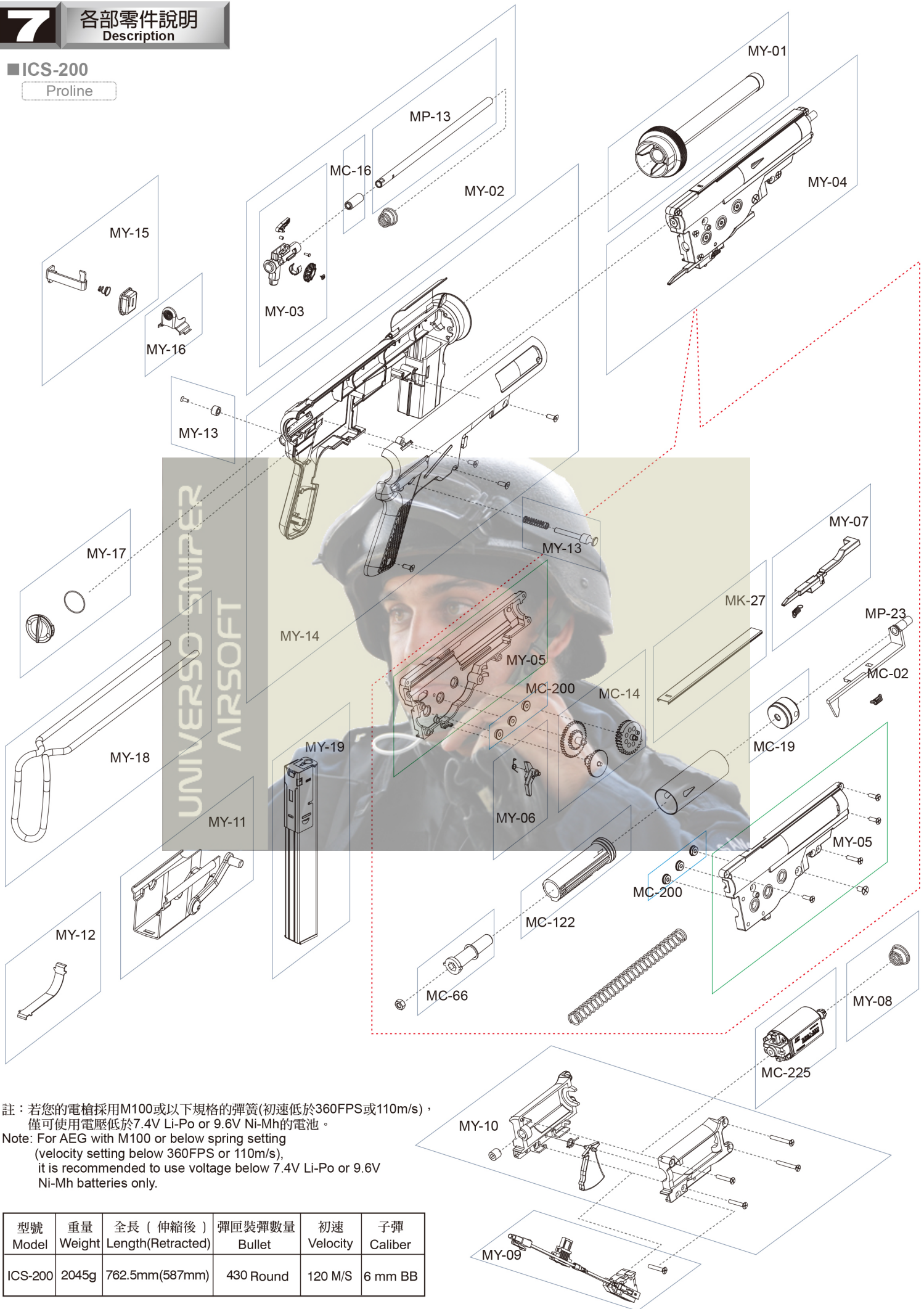
後托調整 Stock adjustment



- 將槍托壓桿向下壓，即可將後托向後拉或向前推，共有2段可調整
Press and hold the stock release button to pull or push the stock. Two positions available.

■ ICS-200

Proline



註：若您的電槍採用M100或以下規格的彈簧(初速低於360FPS或110m/s)，僅可使用電壓低於7.4V Li-Po或9.6V Ni-Mh的電池。

Note: For AEG with M100 or below spring setting (velocity setting below 360FPS or 110m/s), it is recommended to use voltage below 7.4V Li-Po or 9.6V Ni-Mh batteries only.

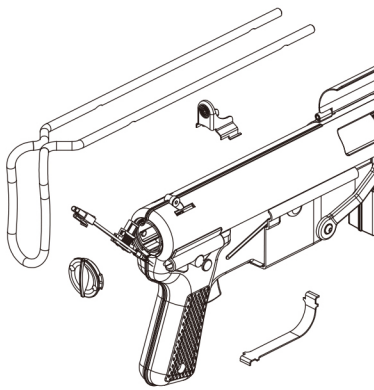
型號 Model	重量 Weight	全長 (伸縮後) Length (Retracted)	彈匣裝彈數量 Bullet	初速 Velocity	子彈 Caliber
ICS-200	2045g	762.5mm(587mm)	430 Round	120 M/S	6 mm BB

8

齒輪箱拆解 Disassemble gear-box

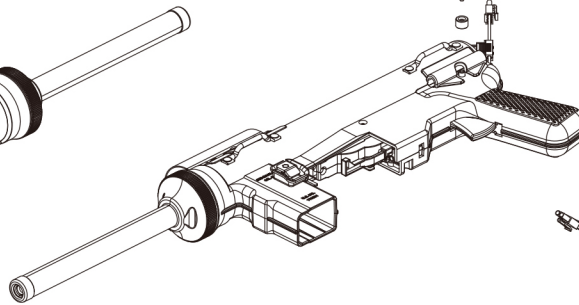
*每一款槍型基本配備不同依實際出貨為主。圖片僅供參考。
The components/accessories for each model may have kind of differences depending on the actual goods. Images are only for reference.

1



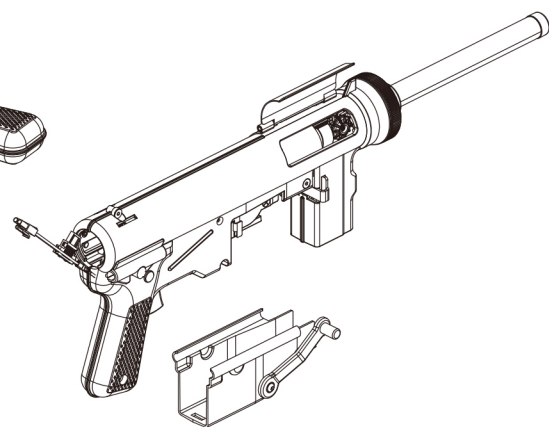
依序將覓孔座/槍托桿/扳機護片拆下
Take apart the sight set/stock/trigger guard in order

2



將槍身翻轉至背面，並拆下槍托桿上的螺絲
Remove the screws on the receiver to open the right receiver.

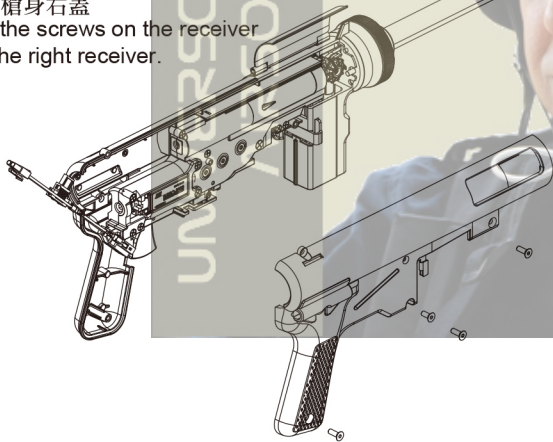
3



將槍身上蓋往下脫出
(所有需拆卸的螺絲已顯露於外部)
Take down the housing assembly
(all screws which need to be disassembled can be found on housing)

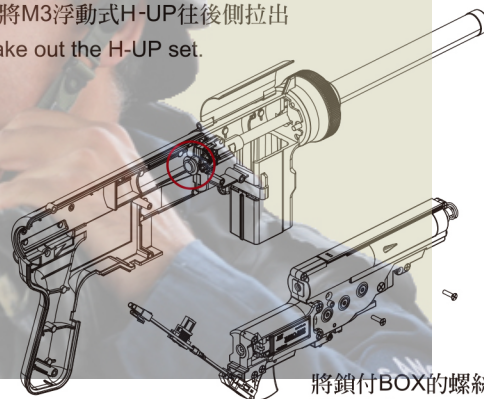
4

將鎖付槍身的螺絲一一拆下，即可打開槍身右蓋
Remove the screws on the receiver to open the right receiver.



5

可將M3浮動式H-UP往後側拉出
Take out the H-UP set.



將鎖付BOX的螺絲一一拆下即可取出
Remove the screws on the gearbox to take out the interior parts in the gearbox.



WARNING 警告 電槍使用之注意事項 Maintenance

- 請勿使用回收及劣質的 BB 彈，以減少槍管損耗與避免卡彈的情形發生。
 - 如發現有卡彈的情形，應立即停止射擊，如卡彈後再勉強射擊，則會增加齒輪損耗。請使用內附通槍條，將卡彈清除後才可繼續使用。若完成通槍基本故障排除後仍無法使用時，請回原採購店家或專業經銷商尋求維修服務。
 - 使用前請先確定您的電池已充滿電，當使用中發覺電池即將用盡或射擊速度降低時，應立即更換電池。
 - 請定期使用通槍條清潔槍管，以保持槍支射擊時的準確性及減少卡彈的情形發生。
 - 請勿經常空槍射擊，以減少BOX及齒輪不必要的損耗。
- 使用前請務必詳閱此說明書限18歲以上使用
Always read through this manual before operation.
User restricted to 18 years of age or older.
- Do not use recycle or low quality BB pellets to reduce the barrel damage and prevent from jams.
 - When a BB pellet is jammed, cease fire immediately. Firing under jam may cause damage on gears. Please use the cleaning rod that came with your airsoft gun to push it into the barrel by moving down gently until the jammed BB pellet comes out. If the jam still cannot be solved, please contact your original purchase retailer or ask for professional agent for repair service.
 - Please make sure the battery is fully charged before using. When the battery is run out or firing speed is decreasing, new battery has to be replaced immediately.
 - Please use cleaning rod periodically to clean the barrel to ensure the firing precision and reduce jam.
 - Do not dry fire the airsoft gun at any time to reduce damage to the gearbox.



WWW.ICSB.COM