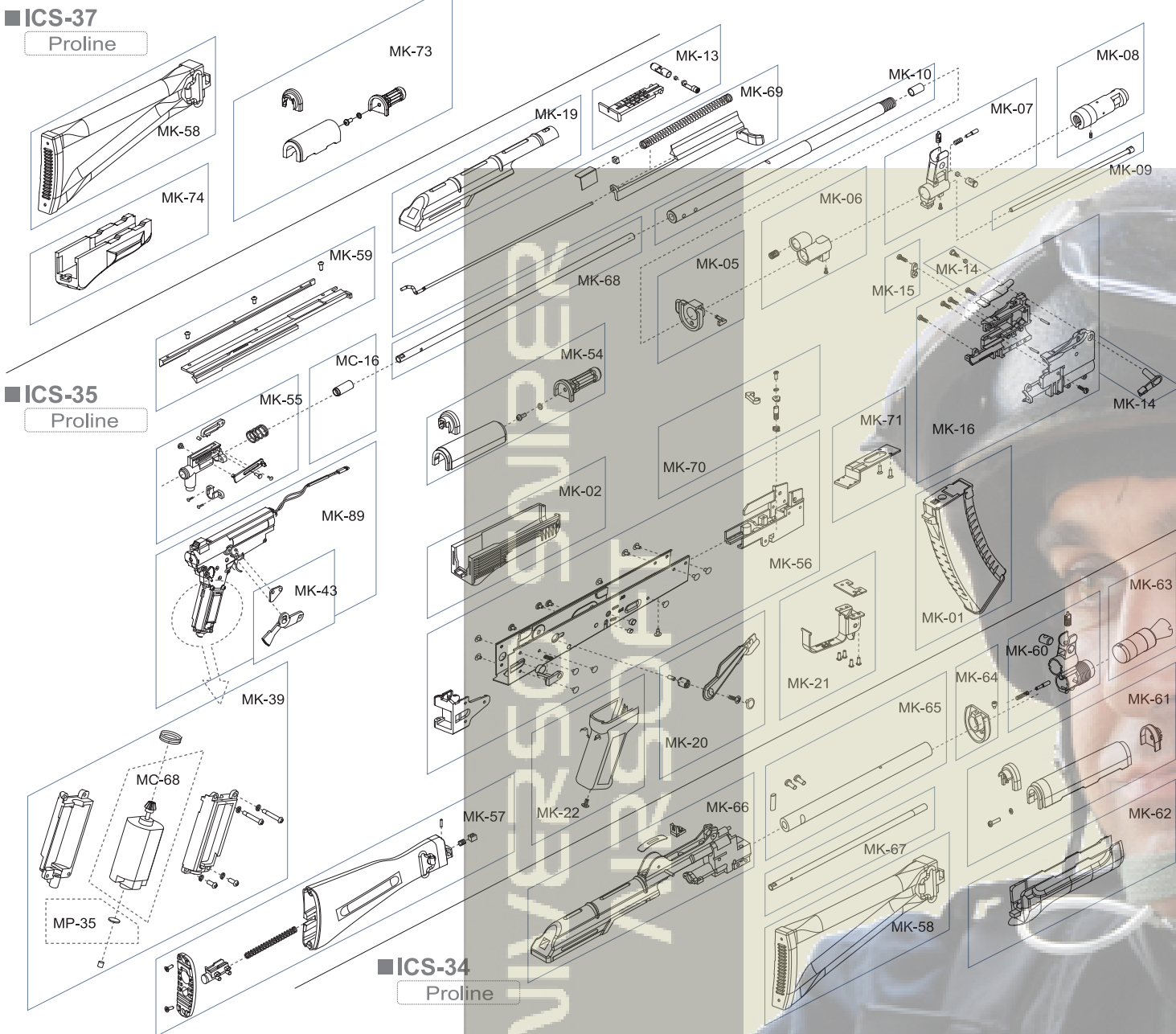


## 13 各部零件說明 Description

\*每一款槍型基本配備不同依實際出貨為主，圖片僅供參考。  
The components/accessories for each model may have kind of differences depending on the actual goods. Images are only for reference.



## WARNING 警告 電槍使用之注意事項 Maintenance

- 請勿使用回收及劣質的 BB 彈，以減少槍管損耗與避免卡彈的情形發生。
  - 如發現有卡彈的情形，應立即停止射擊，如卡彈後再勉強射擊，則會增加齒輪損耗。請使用內附通槍條，將卡彈清除後才可繼續使用。若完成通槍基本故障排除後仍無法使用時，請回原採購店家或專業經銷商尋求維修服務。
  - 使用前請先確定您的電池已充滿電，當使用中發覺電池即將用盡或射擊速度降低時，應立即更換電池。
  - 請定期使用通槍條清潔槍管，以保持槍支射擊時的準確性及減少卡彈的情形發生。
  - 請勿經常空槍射擊，以減少BOX及齒輪不必要的損耗。
- 使用前請務必詳閱此說明書限18歲以上使用  
Always read through this manual before operation.  
User restricted to 18 years of age or older.

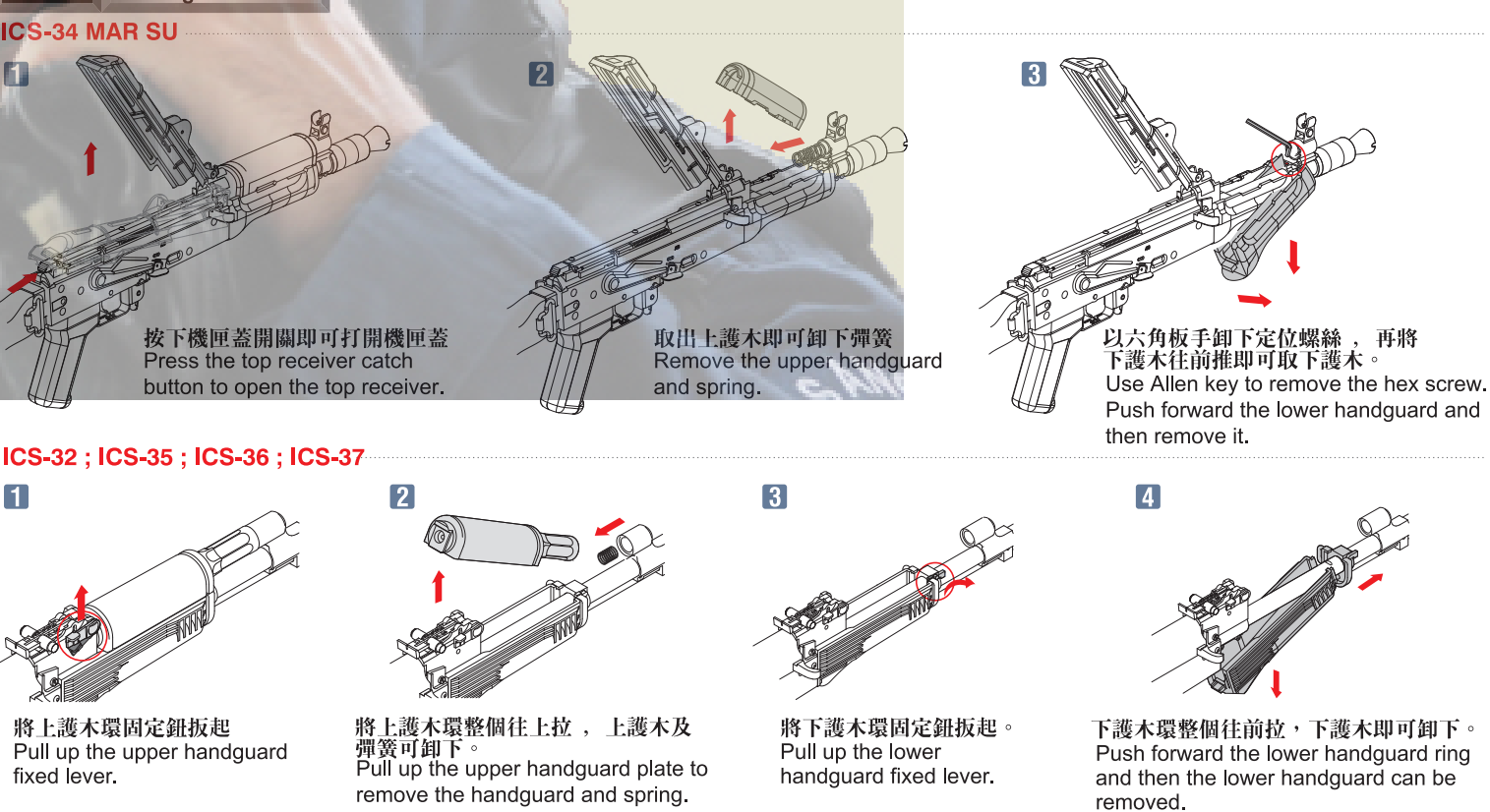


WWW.ICSB.COM

## 1 MAR系列各部名稱 MAR Series components

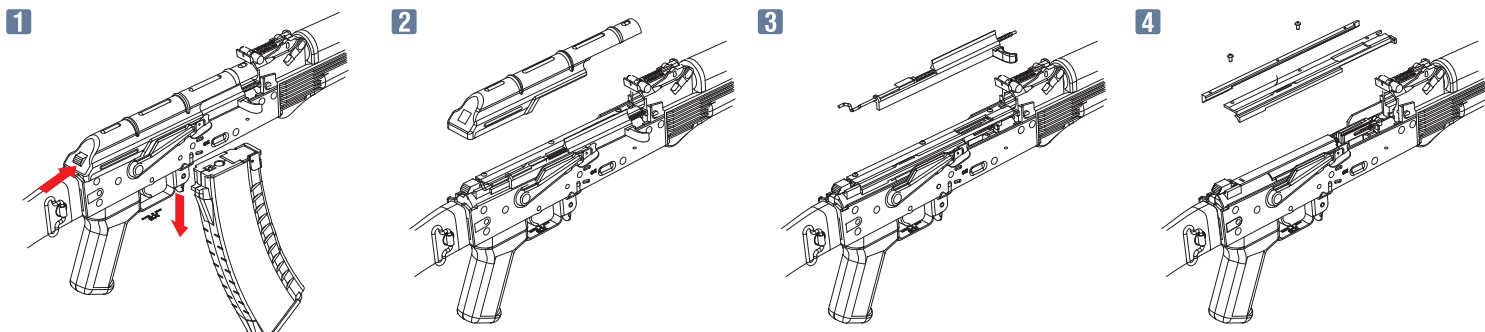


## 2 護木拆卸 Handguard Parts





### 3 齒輪箱拆解 Disassemble gearbox

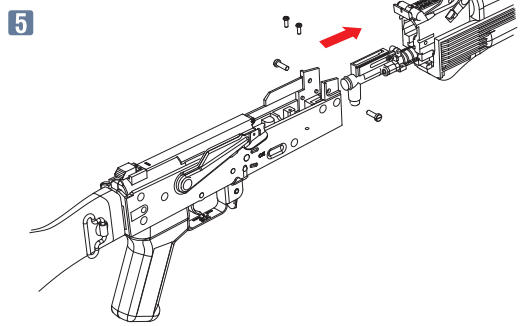


卸除彈匣，按壓機匣蓋釋放鈕  
Remove the magazine.  
Press the top receiver catch button.

卸下機匣蓋  
Remove the top receiver.

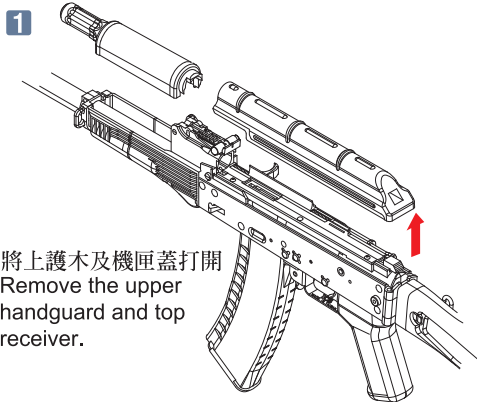
卸下槍機拉柄組  
Remove the charging handle set.

取下電池座  
Disassemble battery base.



卸除槍管座螺絲，將前槍身往前推  
Remove the outer barrel screws. Push forwards the handguard set.

### 4 裝電池方法 Battery Installation

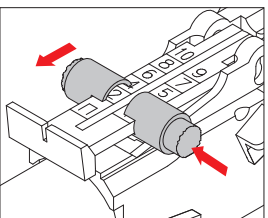


將上護木及機匣蓋打開  
Remove the upper handguard and top receiver.

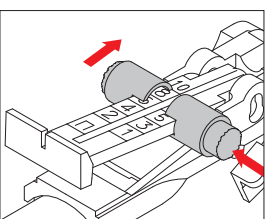


將電池裝入接上電線  
Insert the battery under the rear sight mount and then connect the battery.

### 5 視孔調整方式 Rear Sight Adjustment

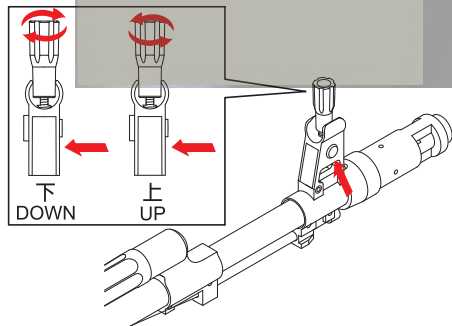


近距  
Short Distance  
將視孔調整鈕往前推卡住射擊所需的刻度  
Press the adjusting button and slide it forward to the suitable index.



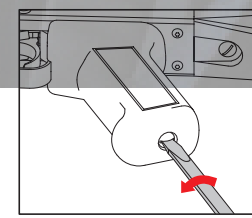
遠距  
Long Distance  
將視孔調整鈕往後拉卡住射擊所需的刻度  
Press the adjusting button and slide it backward to the suitable index.

### 6 準星調整方式 Front Sight Adjustment

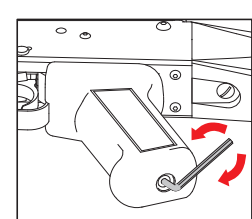


壓下右側按鈕，將準星調整桿壓入、定位轉動即可調整高低。  
Press and hold the right side button and then insert the sight adjustment tool onto the front sight to adjust it higher or lower.

### 7 馬達間隙調整 Fine Adjustment of Gear Engagement



以一字起子將握把螺絲鬆開  
Remove the screw from the bottom of the pistol grip.



使用2mm六角扳手來進行馬達齒間隙調整(出廠前已調整好)。  
Use a 2mm Allen key to make the fine-tune adjustment when needed. (Adjust when needed. Already made in factory)

### 8 彈匣使用方式 Magazine Attachment



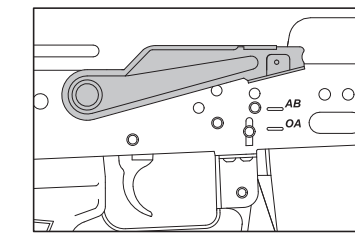
安裝彈匣  
先插入彈匣前端再將彈匣往上推  
卸除彈匣  
將彈匣卡榫往前撥即可卸下彈匣  
Install Magazine  
Insert the front part of the mag. and then push up the mag.  
Release Magazine  
Push forward the magazine catch to release the mag.



打開彈倉蓋裝入BB彈  
Open the cover to load BBs.

建議使用ICS 6mm BB彈  
ICS 6mm caliber BBs are recommended for optimum performance.

### 9 選擇射擊模式 Shooting Mode Setting

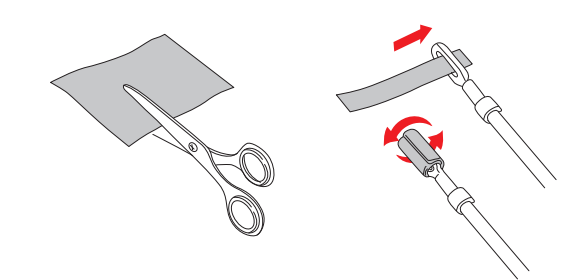


保險  
Safety

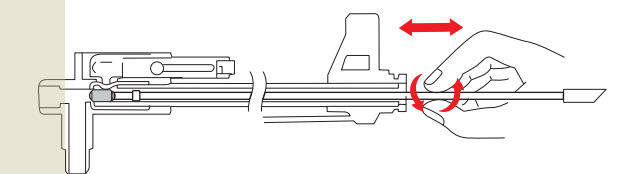
連發  
Full Auto

單發  
Semi

### 10 通槍條使用方法 How To Use A Cleaning Rod

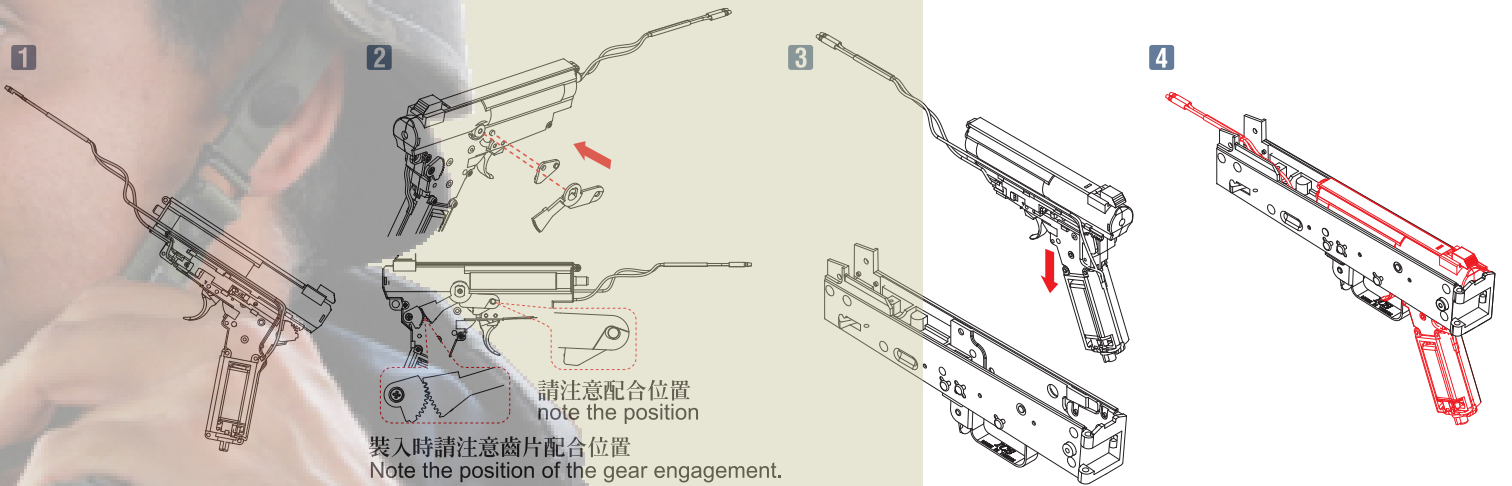


將棉布剪成長約25~30mm寬約10mm後再捲繞在通槍條上  
Cut the cotton cloth in length about 25 to 30mm, width about 10mm. Roll the cloth in the cleaning rod.



將通槍條插入並旋轉及前後拉動以清理內管  
Use the cleaning rod to move back and forth inside the inner barrel to clean the dust.

### 11 槍身與齒輪箱組裝 Gearbox and Receiver Installation



請將電線依圖示做好整理  
Arrange the wires as shown.

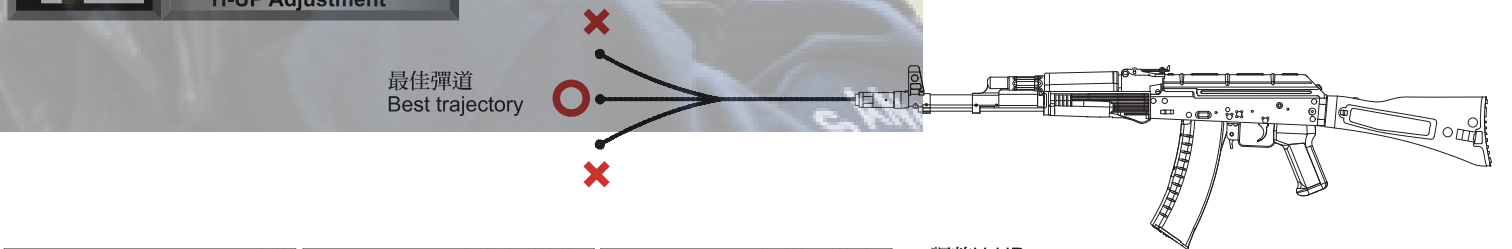
裝入時請注意齒片配合位置  
Note the position of the gear engagement.

將Y型連動片及保險旋片依圖示裝入  
Assemble the fire selector gears as shown.

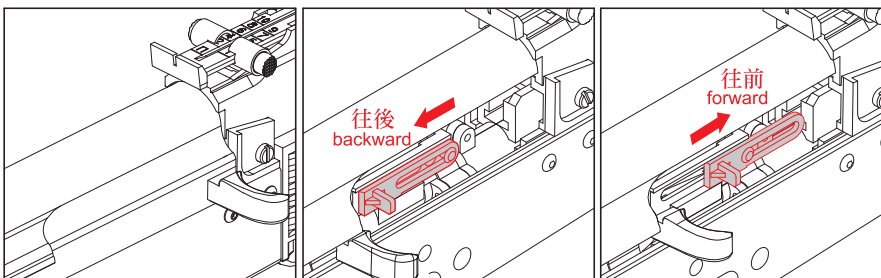
將齒輪箱裝入槍身  
Insert the gearbox into the receiver.

將電源線整理妥當  
Manage the wires into the slot.

### 12 H-UP彈道調整 H-UP Adjustment



最佳彈道  
Best trajectory



調整H-UP：  
拉開槍機拉柄以調整撥盤。  
子彈過於上飄，請調整撥盤往前調整。  
子彈過於下墜，請調整撥盤往後調整。  
BB彈呈現一直線的彈道才是最佳的彈道。  
H-UP Adjustment:  
Open the charging handle to adjust the H-UP.  
When the BB pellet rises up, decrease the H-UP by pushing the H-UP lever forward to lower the trajectory down.  
When the BB pellet falls down, increase the H-UP by pulling the H-UP lever backward to increase the trajectory up.  
Make sure the trajectory of the BB pellet to be straight.