

1 各部名稱 Component names



■ ICS-190

MGL Black-Retractable stock



■ ICS-191

MGL TAN-Crane stock



■ ICS-192

MGL Metal handguard
-Long version

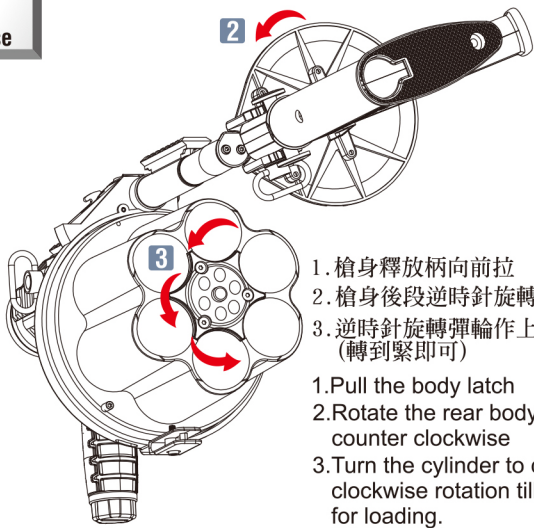
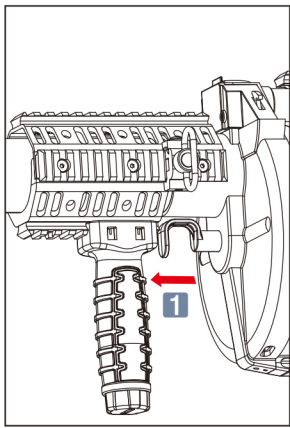


■ ICS-193

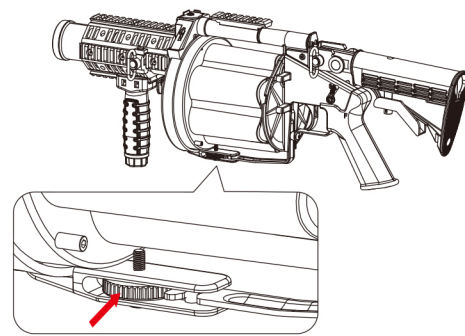
MGL Metal handguard
-Short version



2 槍身釋放 Revolver latch release



1. 槍身釋放柄向前拉
 2. 槍身後段逆時針旋轉
 3. 逆時針旋轉彈輪作上膛動作 (轉到緊即可)
1. Pull the body latch
 2. Rotate the rear body to counter clockwise
 3. Turn the cylinder to counter clockwise rotation till tight for loading.



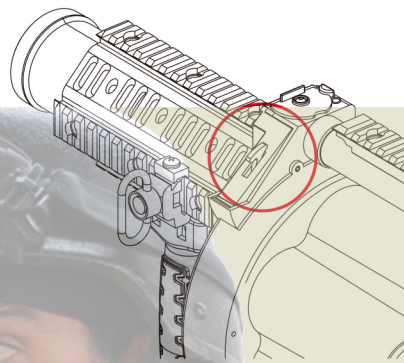
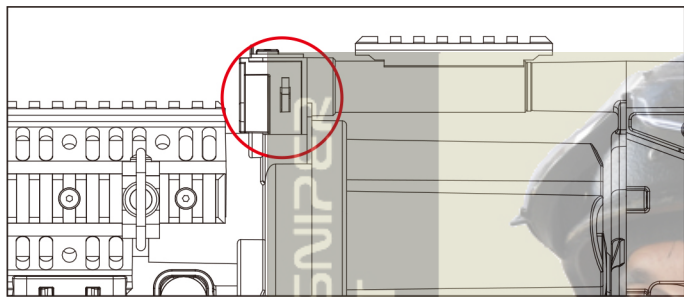
新的扣環設計

1. 固定扣向右旋 <順時針> 可迫緊槍身使其固定.
2. 固定扣向左旋 <逆時針> 放鬆後再把槍身釋放柄向前拉,即可旋開槍身.

New design of the Clip on switch for GLM

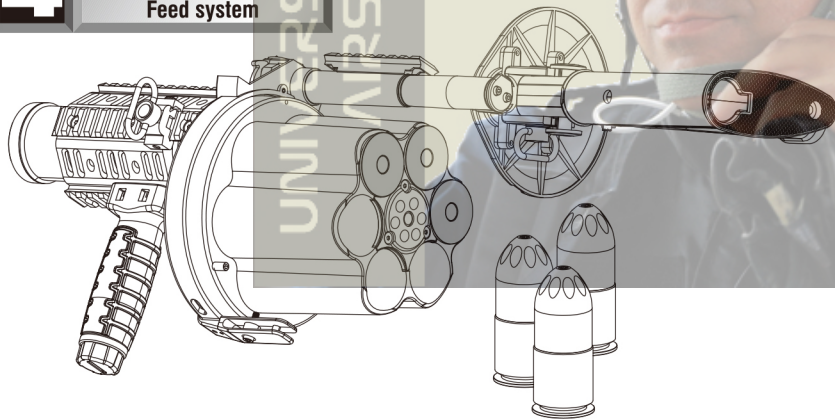
1. Rotate (CW to right) the Clip to enforce fixed the gun body.
2. Rotate (CCW to left) the Clip to release the handle guard to turn on the gun body.

3 簧力釋放 Spring releasing



簧力釋放鈕，
按壓即釋放彈輪簧力
Push the latch to release
the spring of revolver.

4 榴彈裝填 Feed system



可放置6顆榴彈
亦可使用氣體釋放式漆彈、橡膠彈等
建議搭配ICS榴彈效果更好
(MA-138輕量化榴彈)

Can load up to 6pcs grenades
The paintball grenades and
Rubberball grenades can also be used.
We suggest ICS grenade to get best
performance. (MA-138)

5 簧力加強調整 Spring adjustment

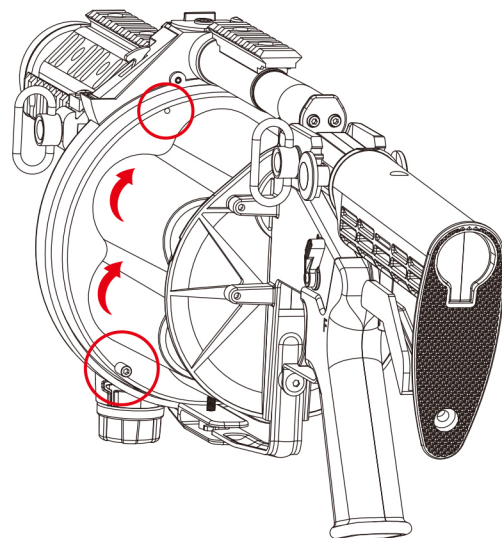
因不同型式之榴彈有不同的重量，不同重量會造成彈輪簧力過強或不足，因此 ICS-190 GLM 有可讓玩家自行調整增加或減少彈輪簧力的設計，可以依所使用不同榴彈重量調整適當之彈輪簧力，以達到最佳射擊狀態。

當簧力減弱時，可將定位螺絲取下，依順時針方向向下一孔鎖付，以獲取最佳簧力
當簧力過強時，可將定位螺絲取下，依逆時針方向向下一孔鎖付，以獲取最佳簧力

Different grenades have different weights.
Different weights of grenades require different spring tension of the cylinder.
The spring tension of the cylinder is designed to be adjustable.
Players can adjust the spring tension to get different revolving strength according to different weights of grenades.

When the spring tension is not enough to turn the cylinder, loosen the screw and tighten it in the next hole clockwise.

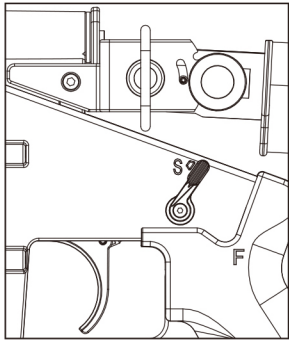
When the spring tension is strong loosen the screw and tighten it in the next hole counterclockwise.



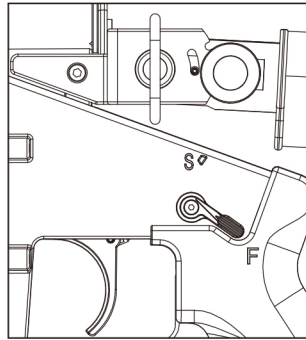
6

射選方式 Iron sight adjustment

保險 Safety setting

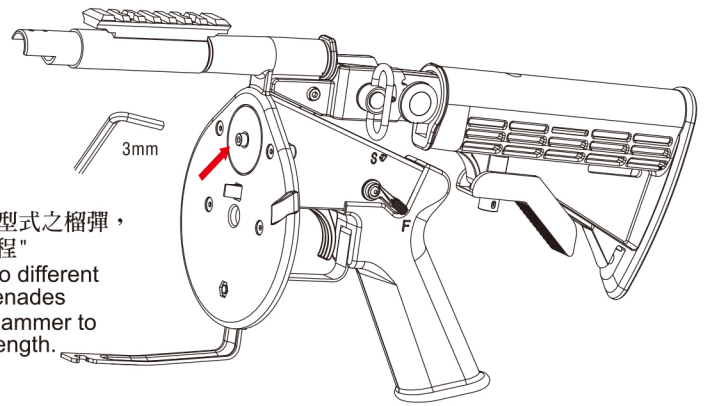


擊發 Fire



7

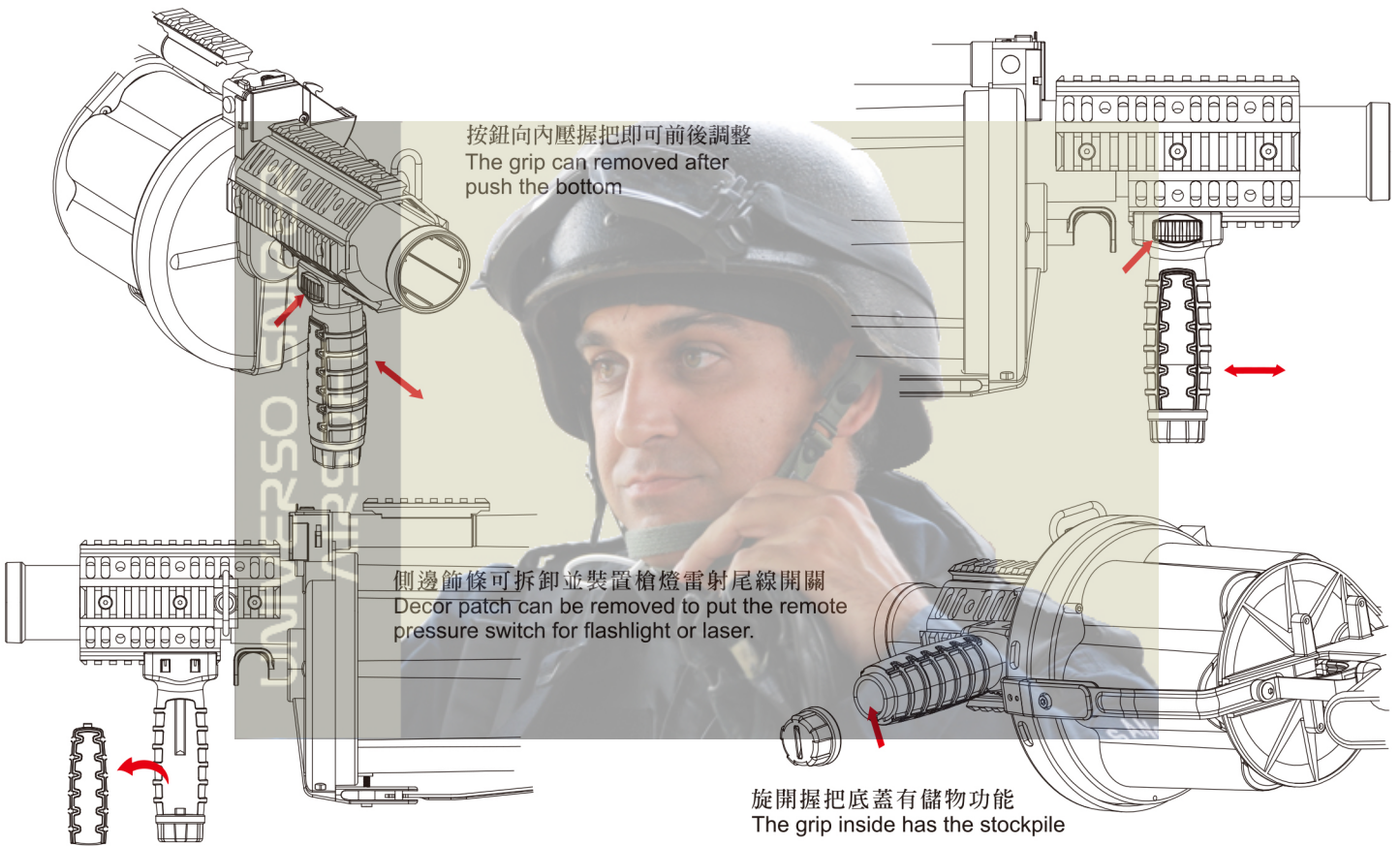
調整擊發行程 Length adjustment



"請依照不同型式之榴彈，
調整擊發行程"
According to different
types of grenades
screw the hammer to
adjust the length.

8

戰術握把調整 Tactical grip adjustment



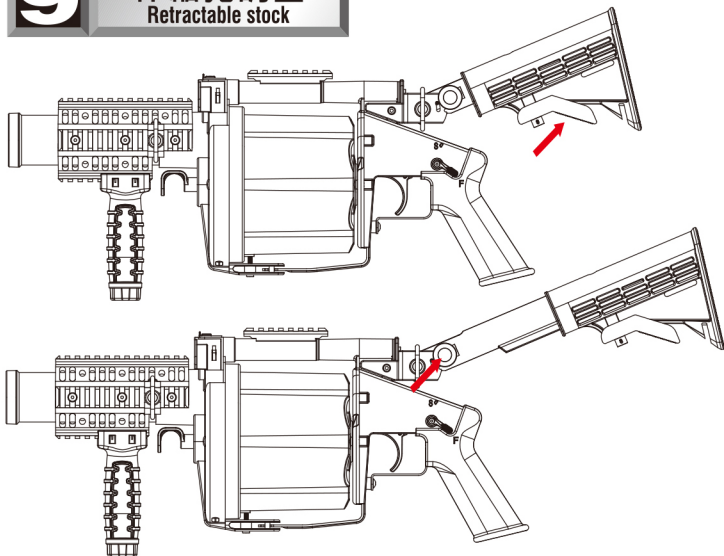
按鈕向內壓握把即可前後調整
The grip can be removed after
push the bottom

側邊飾條可拆卸並裝置槍燈雷射尾線開關
Decor patch can be removed to put the remote
pressure switch for flashlight or laser.

旋開握把底蓋有儲物功能
The grip inside has the stockpile

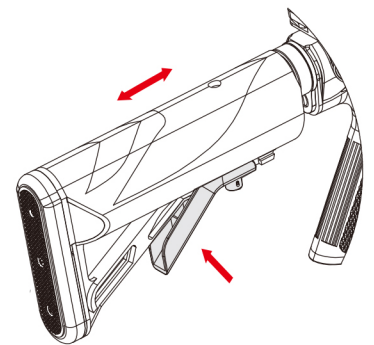
9

伸縮托調整 Retractable stock



內壓即可調整伸縮托長度
Push the tab to adjust the
length of retractable stock

向內壓即可調整伸縮托角度
Push the butt catch to adjust
the angle of retractable stock

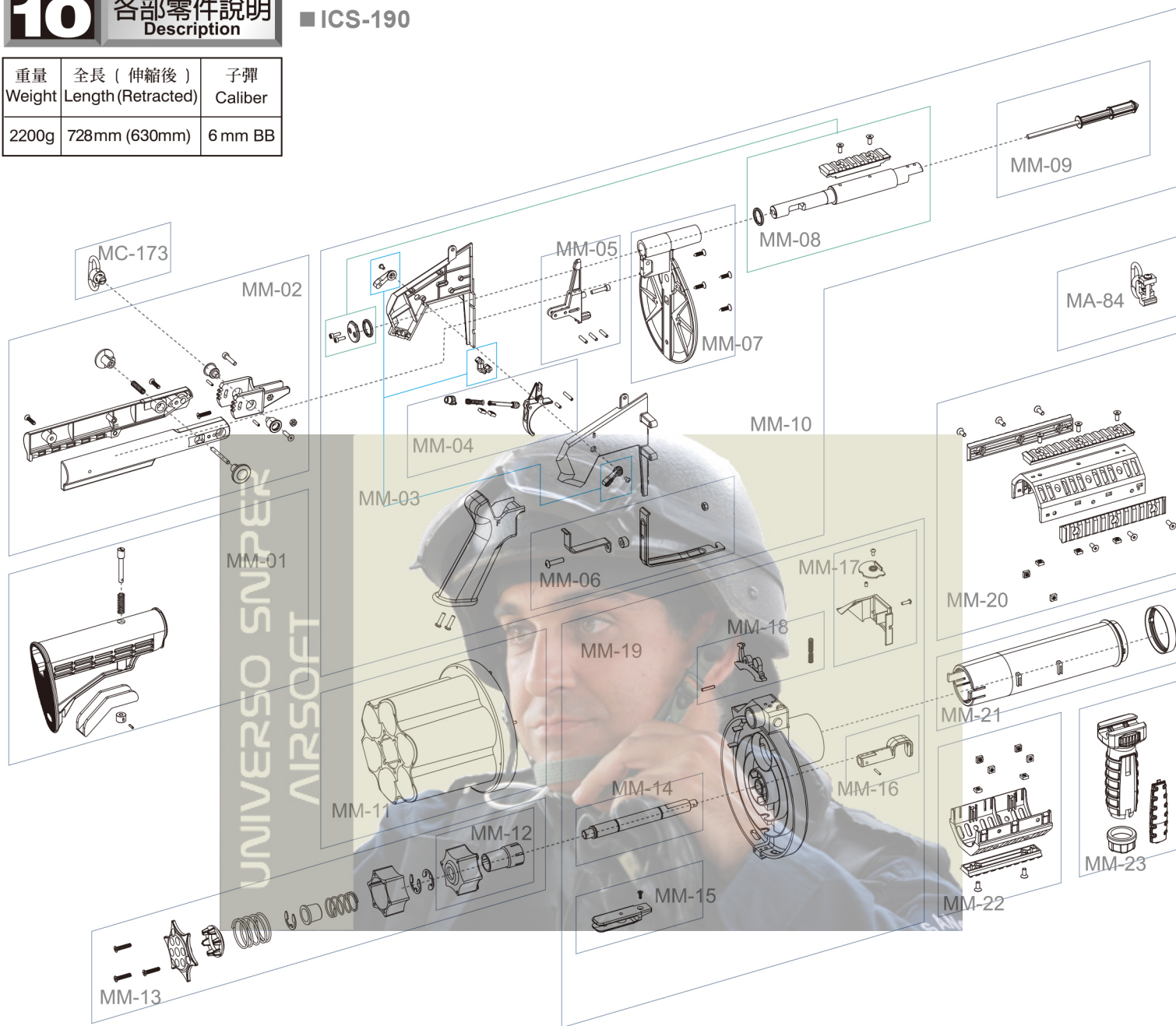


內壓即可調整伸縮托長度
Push the tab to adjust the
length of retractable stock

10 各部零件說明 Description

■ ICS-190

| 重量 Weight | 全長 (伸縮後) Length (Retracted) | 子彈 Caliber |
|--------------|--------------------------------|---------------|
| 2200g | 728mm (630mm) | 6 mm BB |



WARNING 警告 電槍使用之注意事項 Maintenance

- 請勿使用回收及劣質的 BB 彈，以減少槍管損耗與避免卡彈的情形發生。
 - 如發現有卡彈的情形，應立即停止射擊，如卡彈後再勉強射擊，則會增加齒輪損耗。請使用內附通槍條，將卡彈清除後才可繼續使用。若完成通槍基本故障排除後仍無法使用時，請回原採購店家或專業經銷商尋求維修服務。
 - 使用前請先確定您的電池已充滿電，當使用中發覺電池即將用盡或射擊速度降低時，應立即更換電池。
 - 請定期使用通槍條清潔槍管，以保持槍支射擊時的準確性及減少卡彈的情形發生。
 - 請勿經常空槍射擊，以減少BOX及齒輪不必要的損耗。
- 使用前請務必詳閱此說明書限18歲以上使用
Always read through this manual before operation.
User restricted to 18 years of age or older.
- Do not use recycle or low quality BB pellets to reduce the barrel damage and prevent from jams.
 - When a BB pellet is jammed, cease fire immediately. Firing under jam may cause damage on gears. Please use the cleaning rod that came with your airsoft gun to push it into the barrel by moving down gently until the jammed BB pellet comes out. If the jam still cannot be solved, please contact your original purchase retailer or ask for professional agent for repair service.
Note: No need to remove the barrel when eliminating jam.
 - Please make sure the battery is fully charged before using. When the battery is run out or firing speed is decreasing, new battery has to be replaced immediately.
 - Please use cleaning rod periodically to clean the barrel to ensure the firing precision and reduce jam.
 - Do not dry fire the airsoft gun at any time to reduce damage to the gearbox.



WWW.ICSBBS.COM