

INSTRUCTIONS

Always read through this manual before operation
User restricted to 18 year of age or older



IK74-SERIES AIRSOFT ELECTRIC GUN

- ICS-31 IK74
- ICS-32 IK-R.A.S.
- ICS-33 IK-R.I.S.
- ICS-36 IK74 WOODEN

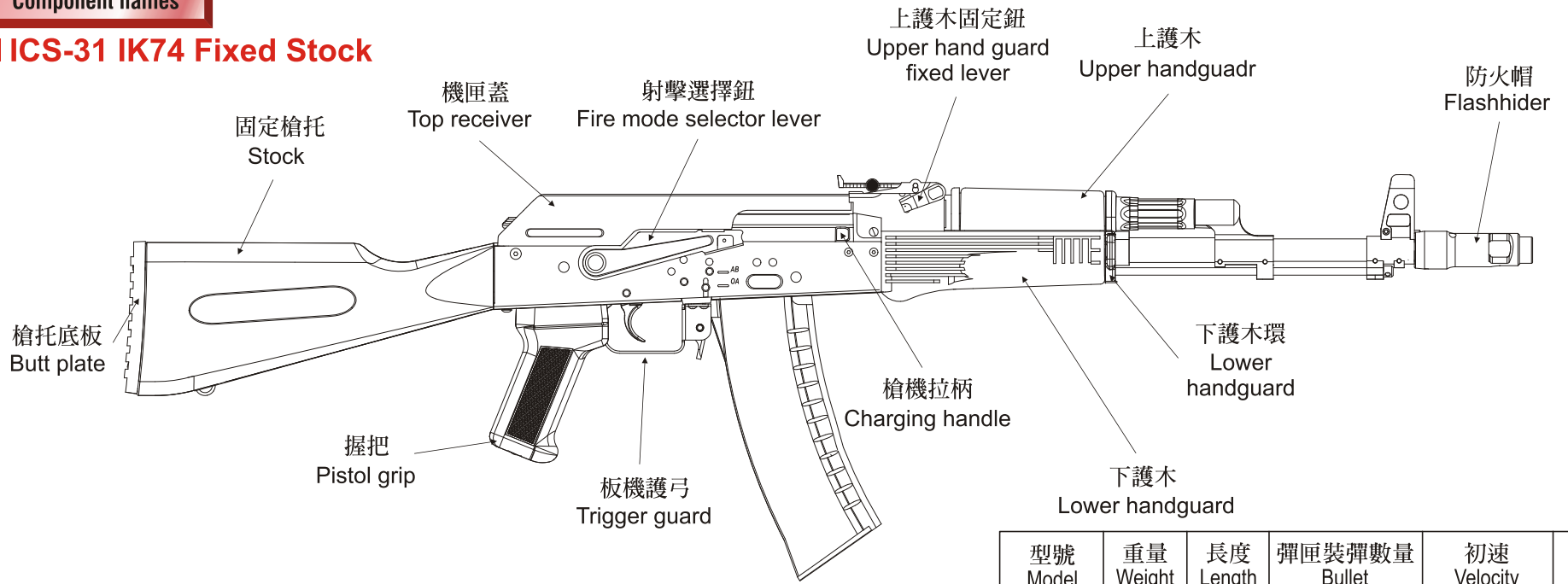
ICS
The Best Thing We Create
創造完美 永無止境

www.icsbb.com



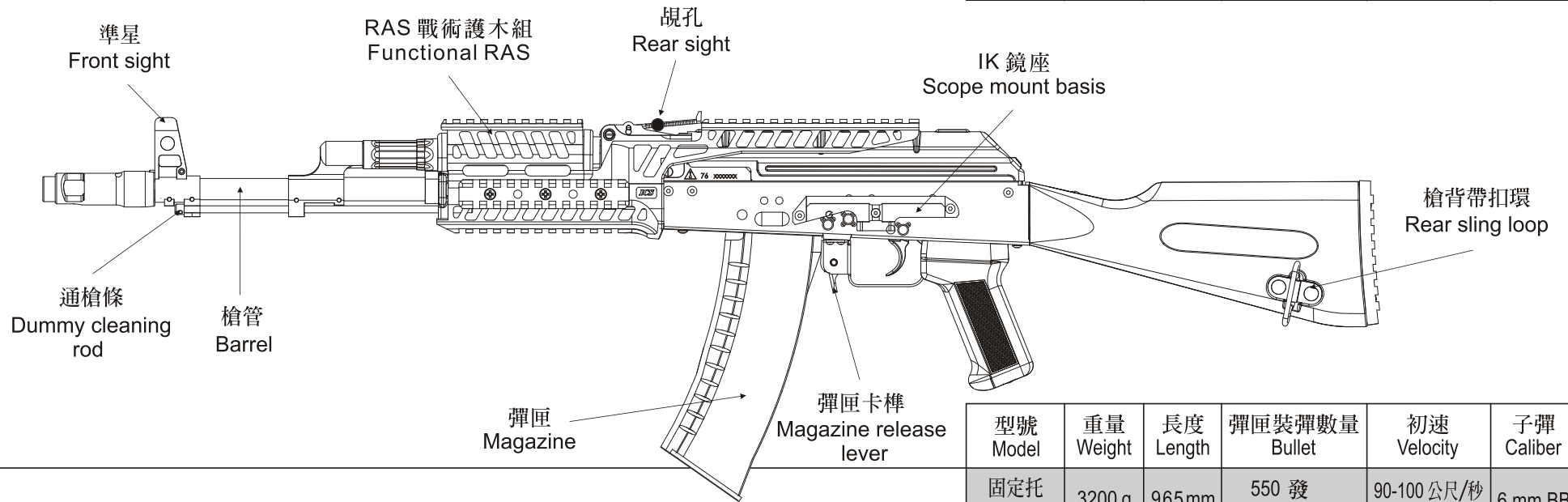
各部名稱
Component names

ICS-31 IK74 Fixed Stock



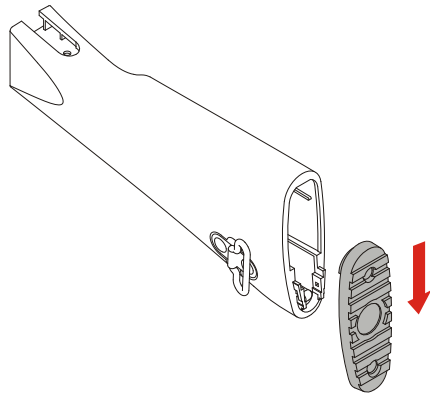
型號 Model	重量 Weight	長度 Length	彈匣裝彈數量 Bullet	初速 Velocity	子彈 Caliber
固定托 Fixed stock	3000 g	970 mm	550 發 550 Round	90-100 公尺/秒 90-100 M/S	6 mm BB

ICS-32 IK R.A.S. Fixed Stock

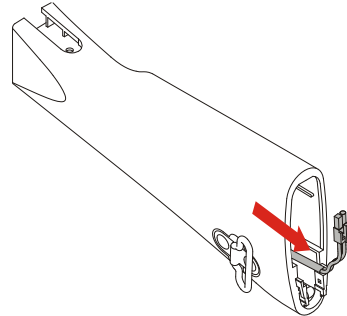


型號 Model	重量 Weight	長度 Length	彈匣裝彈數量 Bullet	初速 Velocity	子彈 Caliber
固定托 Fixed stock	3200 g	965 mm	550 發 550 Round	90-100 公尺/秒 90-100 M/S	6 mm BB

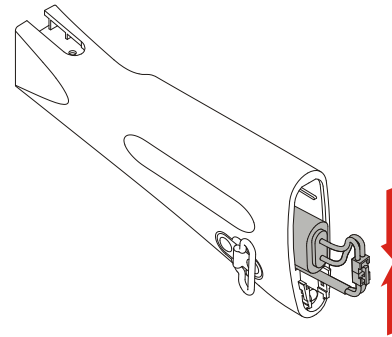
裝電池方法
Battery fitting method



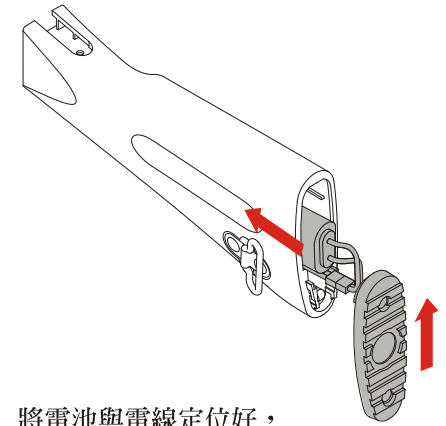
將槍托底板蓋打開。
Remove the butt plate by pressing it downwards.



拉出電線。
Pull out the connector.



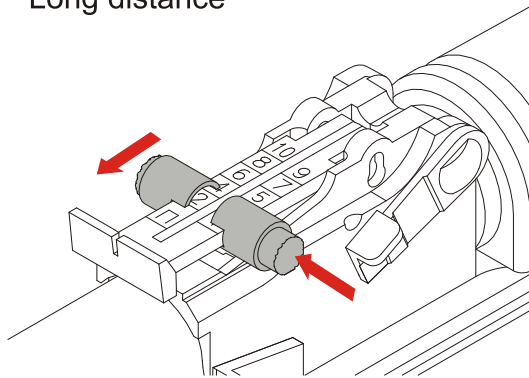
將電池裝入接上電線。
Insert the battery into the stock as shown and connect the battery.



將電池與電線定位好，再蓋上槍托底板蓋。
Ensure the connectors are also located inside the stock then attach butt plate by pushing upwards.

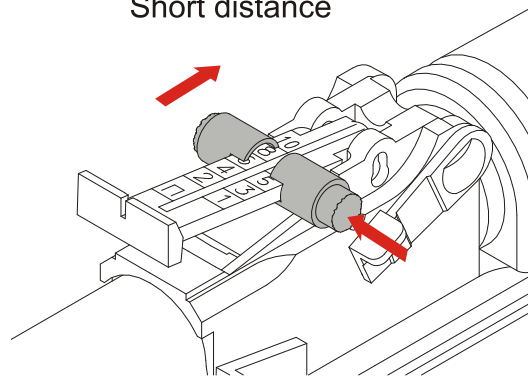
覘孔調整方式
Rear sight adjustments

遠距
Long distance



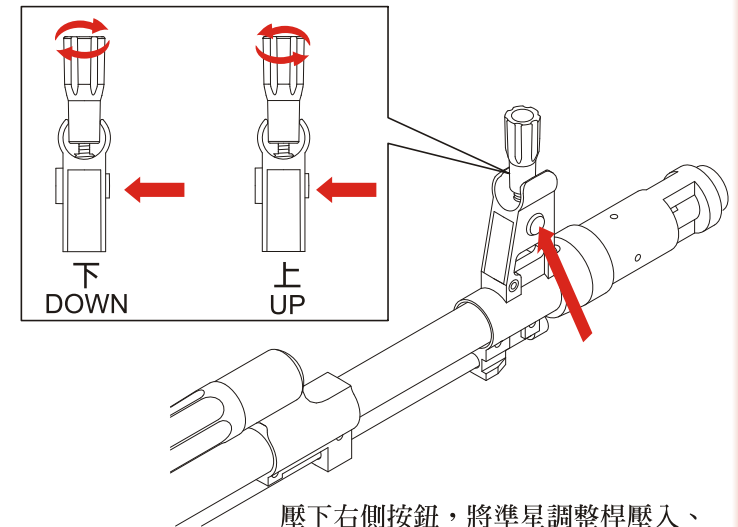
將覘孔調整鈕往後拉，卡住射擊所需的刻度。
Press the adjusting button and slide it backward to the suitable index.

近距
Short distance



將覘孔調整鈕往前推，卡住射擊所需的刻度。
Press the adjusting button and slide it forward to the suitable index.

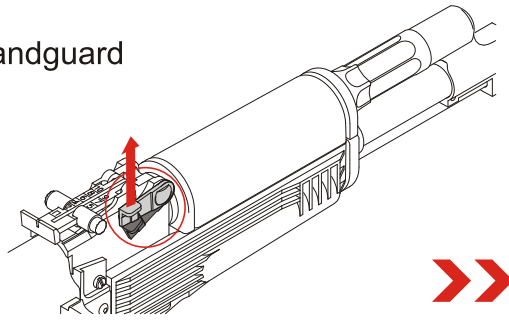
準星高度調整
Bear sight and front sight adjustments



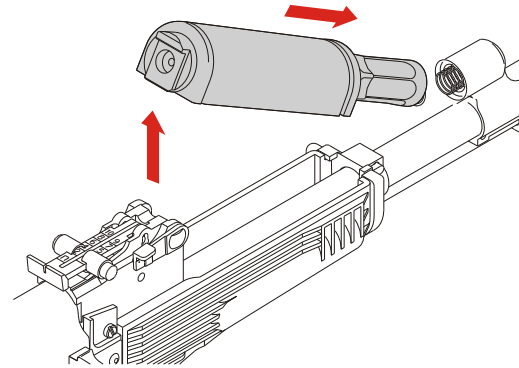
壓下右側按鈕，將準星調整桿壓入、定位轉動即可調整高低。
Press the right side button and insert the sight adjustment tool in the front sight and tum it for adjustment.

可動部位說明
Moveable parts

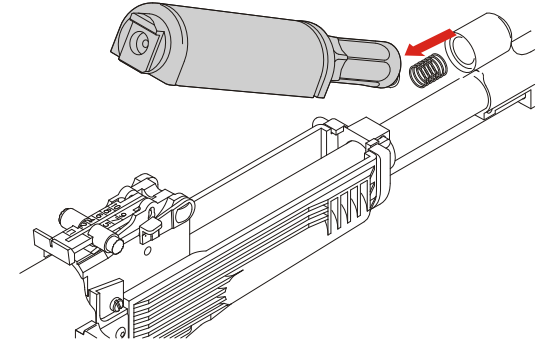
上護木
Upper handguard



將上護木環固定鈕扳起。
Lift up the upper handguard fixed lever.

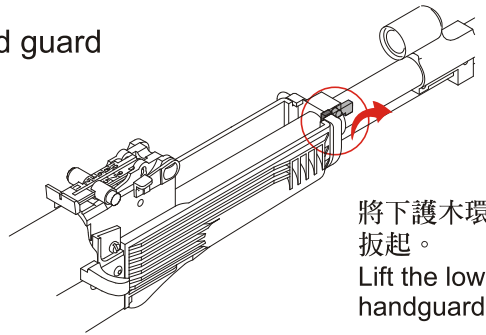


將上護木環整個往上拉，上護木即可卸下。
Lift and disassemble the upper handguard.

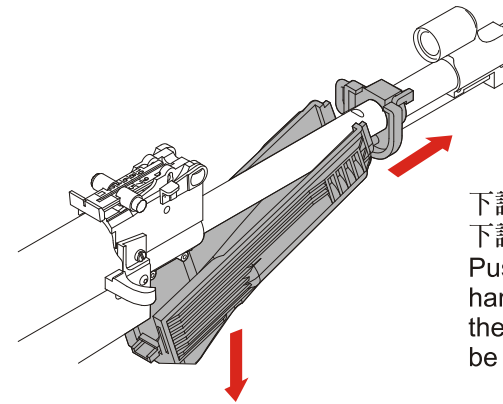


上護木卸下即可取出彈簧。
Remove the upper handguard and remove the spring.

下護木
lower hand guard



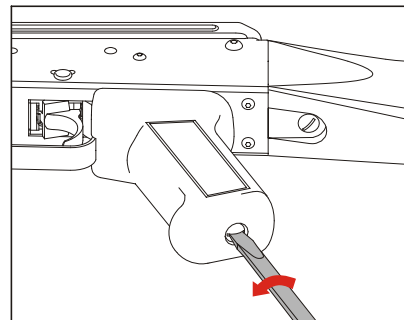
將下護木環固定鈕扳起。
Lift the lower handguard fixed lever.



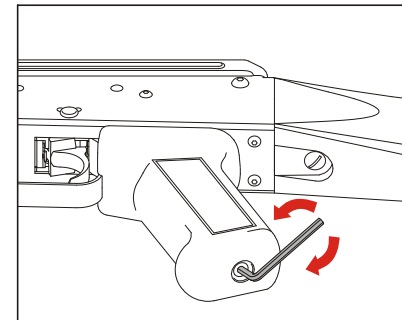
下護木環整個往前拉，下護木即可卸下。
Push forward the lower handguard ring and then the lower handguard can be removed.

馬達間隙調整

Fine adjustment of gear engagement.

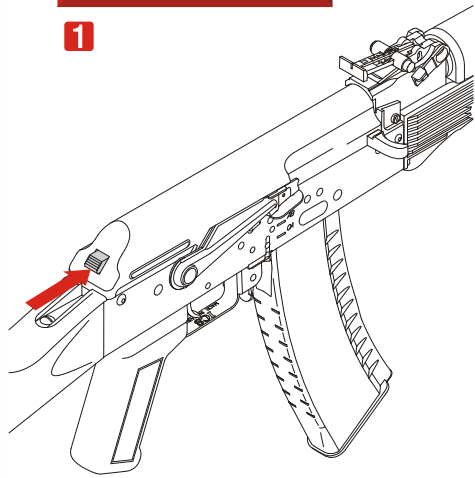


以一字起子將握把螺絲鬆開。
Remove the screw from the bottom of the pistol grip.



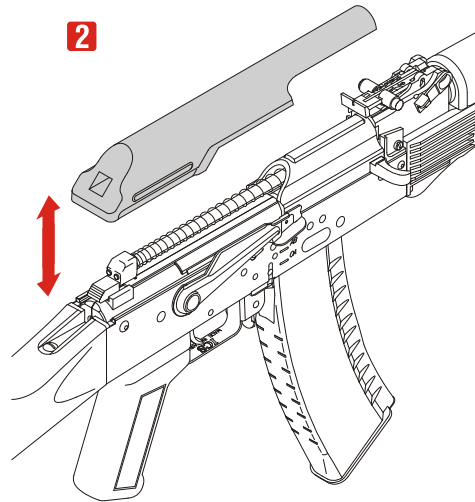
以六角板手將馬達齒輪間隙調整到最佳位置，請勿自行調整。
Use a hexagonal allen wrench to fine tune the engagement between the motor and bevel gear. Don't adjust yourself.

齒輪箱拆卸
Gear box



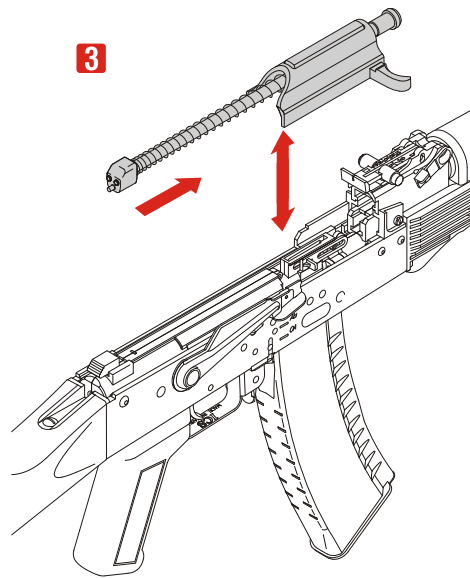
1

按下機匣蓋開關。
Press the top receiver catch button



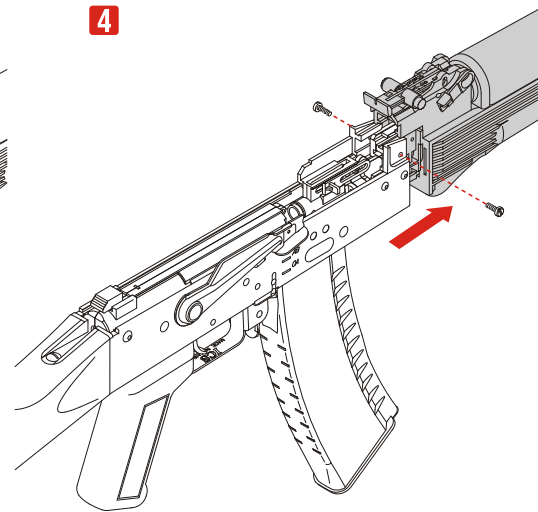
2

卸下機匣蓋。
Remove the top receiver.



3

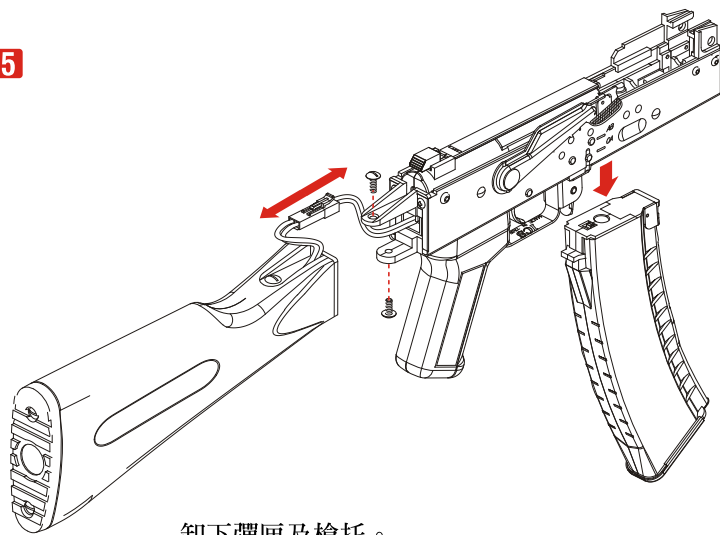
卸下槍機拉柄。
move the spring guide forward and pull up the spring set



4

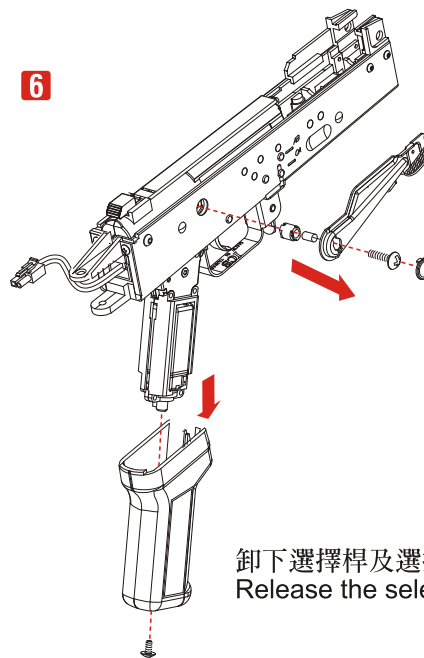
旋開槍管座螺絲，將覘孔座往前推。
Loosen two screws from the front barrel set and push forwards to disassemble the front set.

5



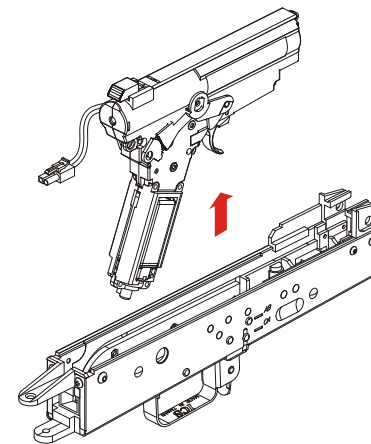
卸下彈匣及槍托。
Remove the magazine and butt stock

6



卸下選擇桿及選擇桿連動軸套握把等零件，即可將 Box 取出。
Release the selector set and fore grip than gearbox can draw out.

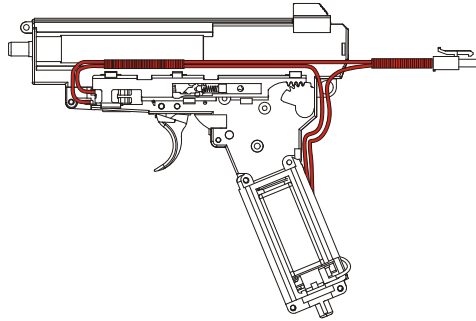
7



槍身與 Box 組裝

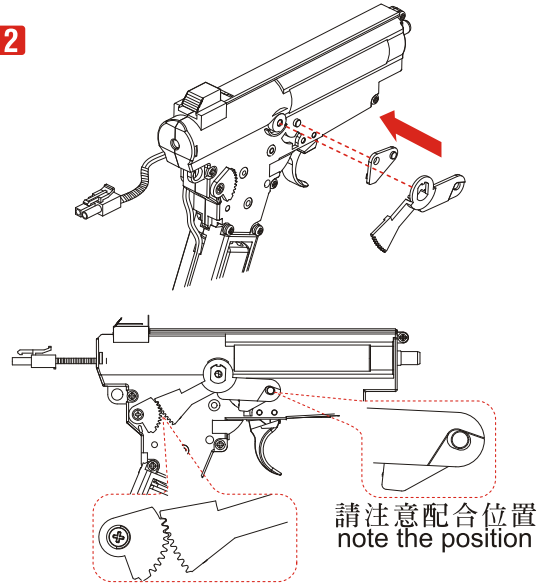
How to fabricate the receiver and box

1



請將電線依圖示做好整理
Arrange the wires as pictured above.

2

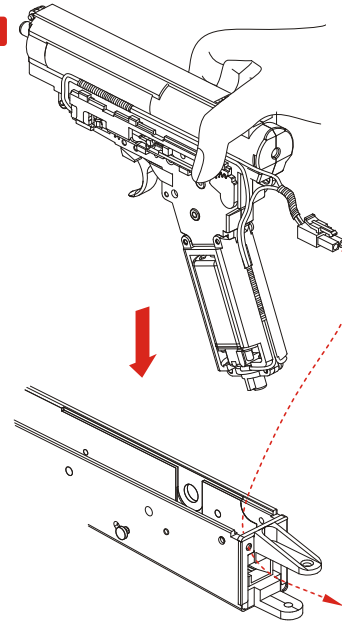


請注意配合位置
note the position

裝入時請注意齒片配合位置
note the gear wheel position while assembling

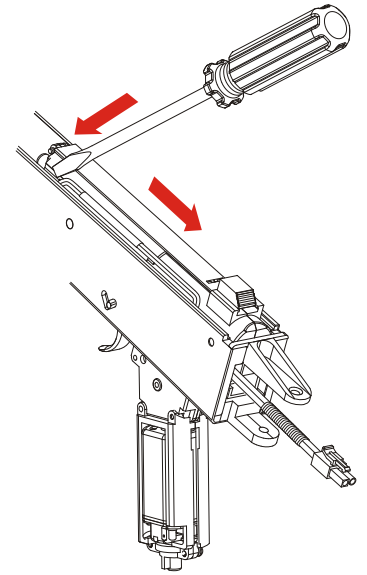
將Y型連動片及保險旋片依圖示裝入
Assemble Y slice and selector slice as illustrated.

3



將BOX裝入槍身
Insert the gearbox into the receiver set

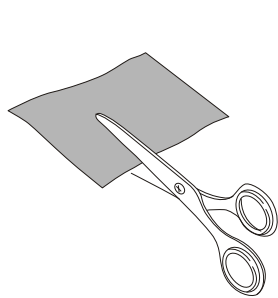
4



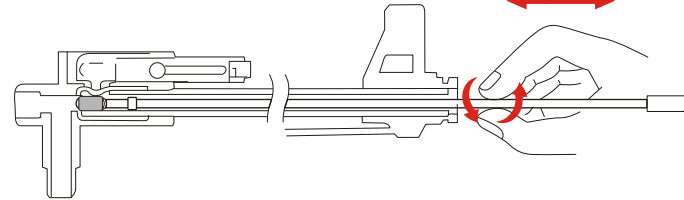
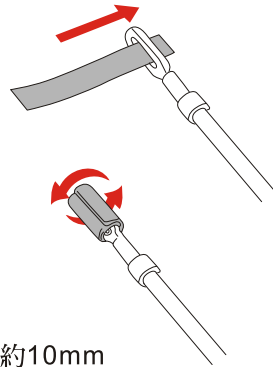
請用一字起子將電線壓入槍身左側之溝槽內
Use a screwdriver to arrange the wires into the left trench of the receiver set

通槍條使用方法

How to use a cleaning rod

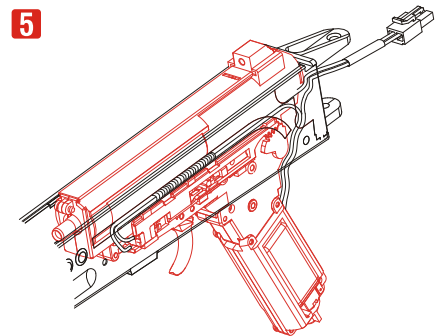


將棉布剪成長約25~30mm寬約10mm
後再捲繞在通槍條上
Cut the cotton cloth length : approx 25~30mm
Width : approx:10mm and wind the cut cotton cloth



將通槍條插入並旋轉及前後拉動以清理內管
Use the cleaning rod to move the cotton forwards and backwards along the barrel to clean and remove any dirt build-up inside.

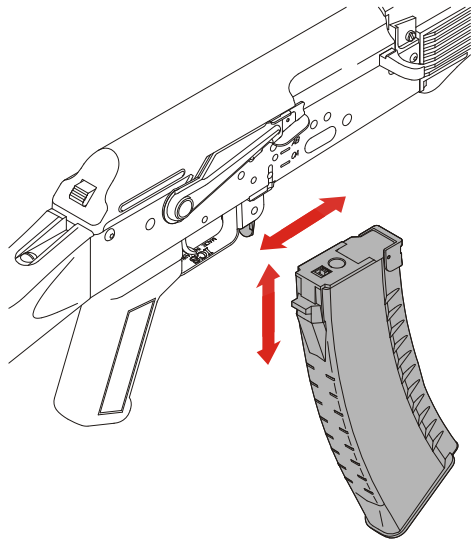
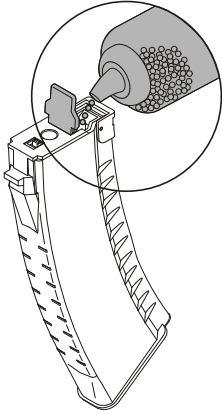
5



將線材拉到最佳之位置，避免壓到線，並確認電線已裝入BOX中。
Pull the gearbox to the right to remove pressure on the wire.

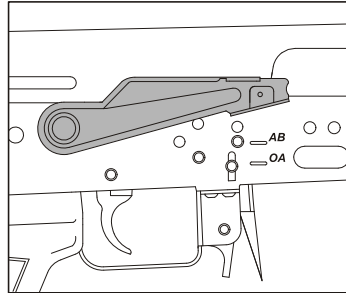
彈匣使用方式
Magazine attachment

裝BB彈方式
Load BBs

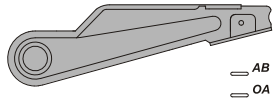


按下彈匣卡榫即可將彈匣裝入或拆下。
Press the magazine release lever to load or unload the magazine.

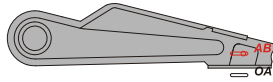
單連發選擇方式
Selector lever and safety setting



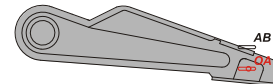
保險
Safety setting



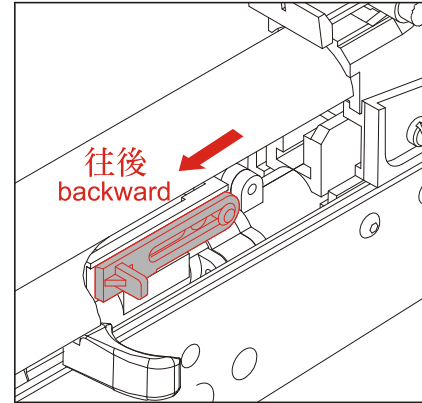
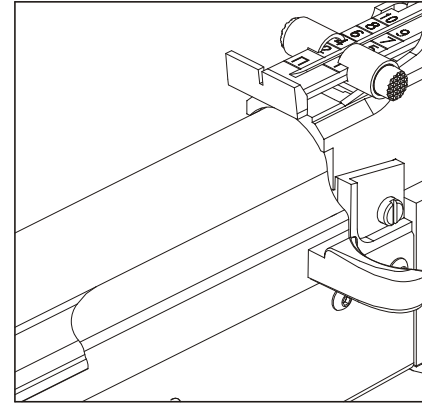
連發
Fully automatic



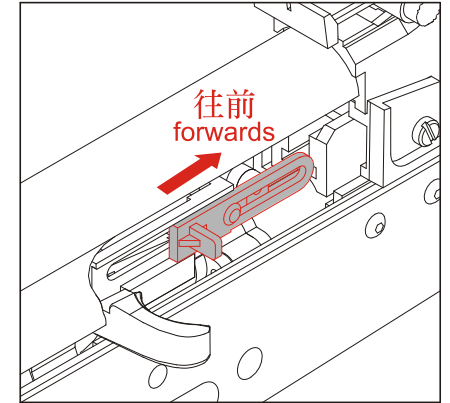
單發
Semi automatic



Hop Up彈道調整
Hop Up adjustment



1. 上飄
Decrease Hop



2. 下墜
Increase Hop

調整方法：
1. 將HOP UP往後調整，
即可使BB彈往上飄。

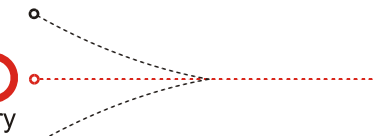
2. 將HOP UP往前調整，
即可使BB彈往下墜。

Adjustment procedure:

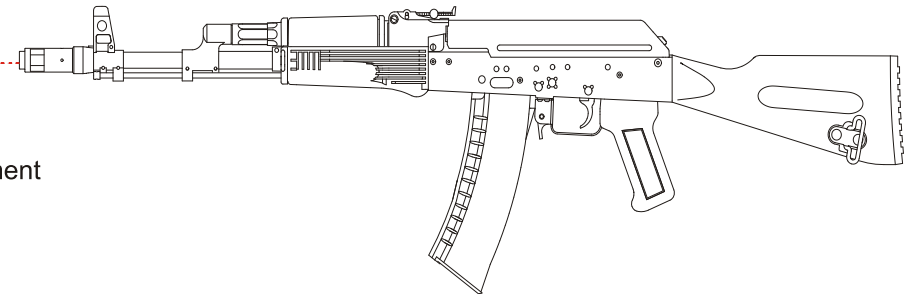
1. Backward Hop up , pellet will float up .
2. Forward Hop up , pellet will fall down .

✗ 上飄 Decrease Hop adjustment

正確
Best
trajectory



✗ 下墜 Increase Hop adjustment



各部零件說明 Description

