

INSTRUCTIONS

Always read through this manual before operation
User restricted to 18 year of age or older

ICS-34 AKS74U
ICS-35 AK-74M



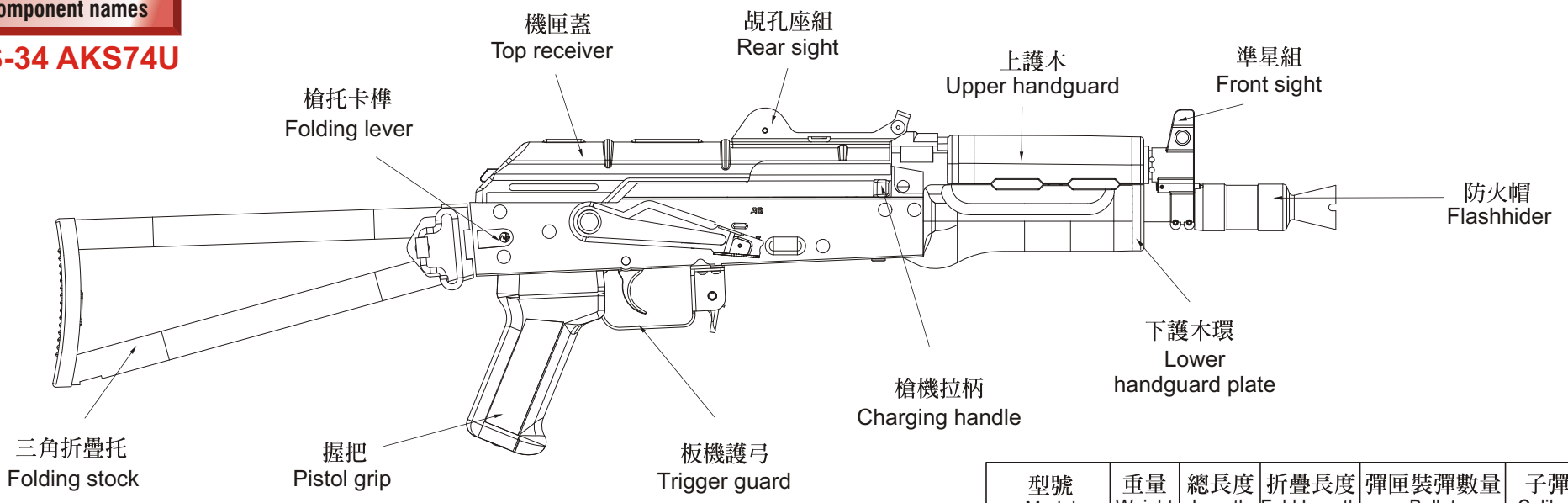
Made in Taiwan

AK AEG SERIES

I CHIH SHIVAN ENTERPRISE CO., LTD.
TEL: 886-4-25256461.25256462 FAX: 886-4-25256484
<http://www.icsbb.com>

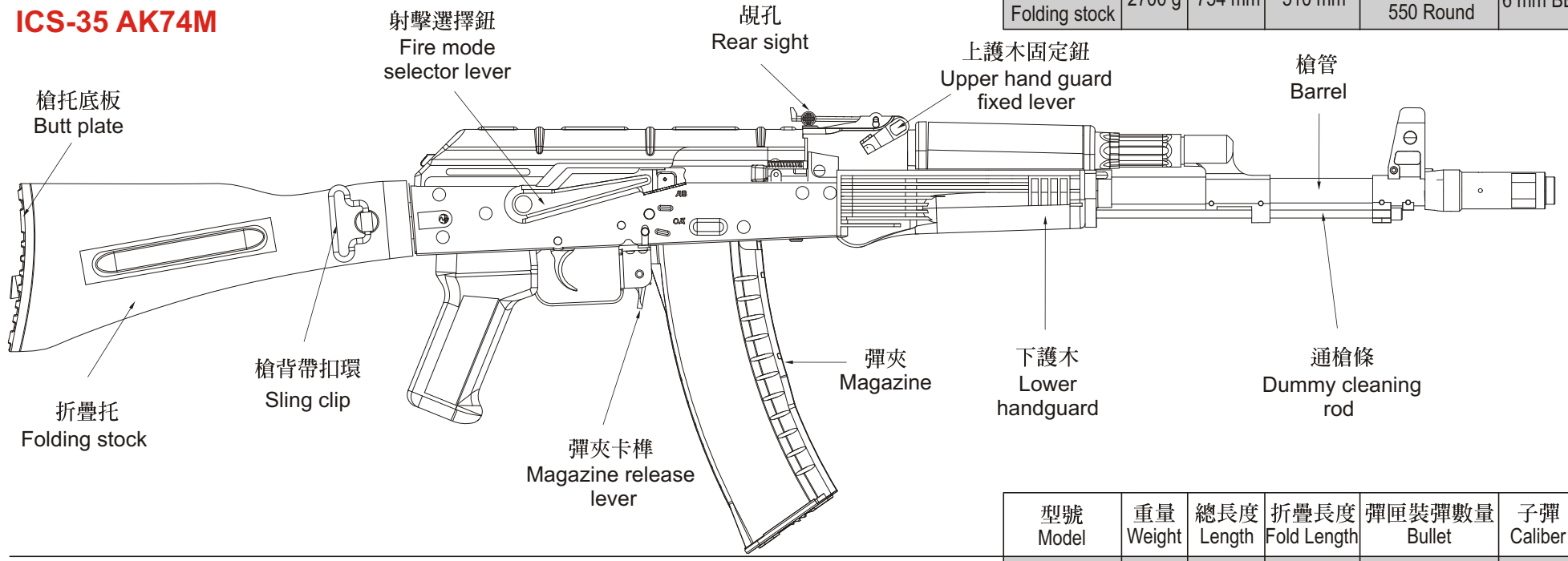
各部名稱
Component names

ICS-34 AKS74U



型號 Model	重量 Weight	總長度 Length	折疊長度 Fold Length	彈匣裝彈數量 Bullet	子彈 Caliber
折疊托 Folding stock	2700 g	754 mm	510 mm	550發 550 Round	6 mm BB

ICS-35 AK74M

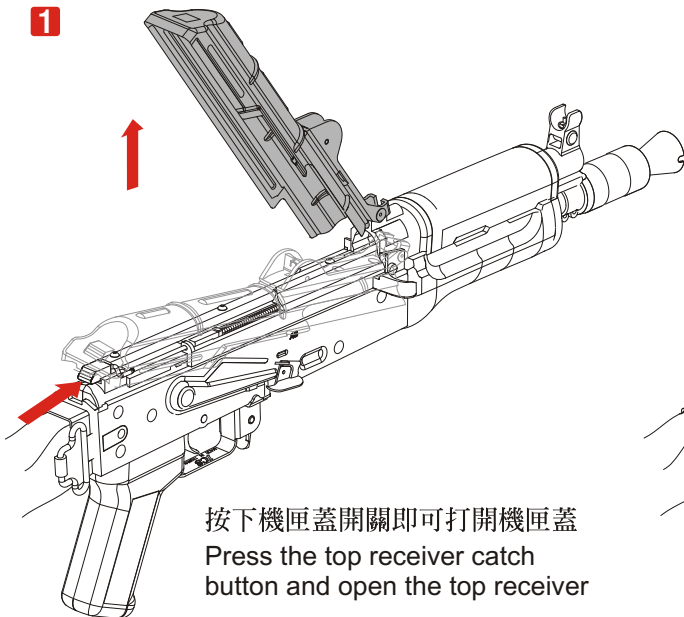


型號 Model	重量 Weight	總長度 Length	折疊長度 Fold Length	彈匣裝彈數量 Bullet	子彈 Caliber
折疊托 Folding stock	3200 g	964 mm	714 mm	550發 550 Round	6 mm BB

護木拆卸
Handguard parts

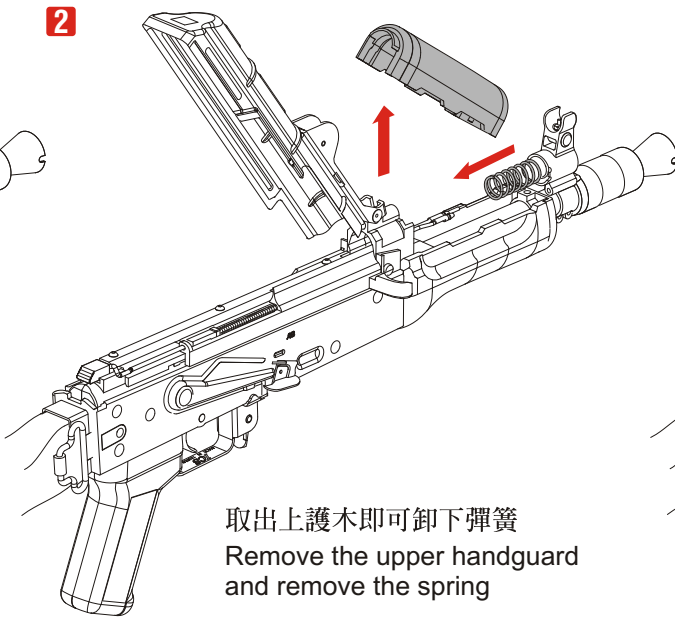
ICS-34 AKS74U

1



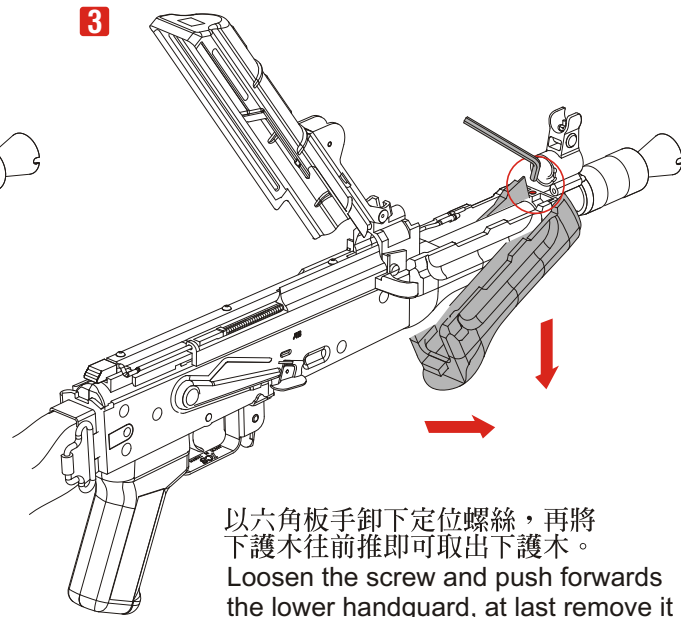
按下機匣蓋開關即可打開機匣蓋
Press the top receiver catch
button and open the top receiver

2



取出上護木即可卸下彈簧
Remove the upper handguard
and remove the spring

3

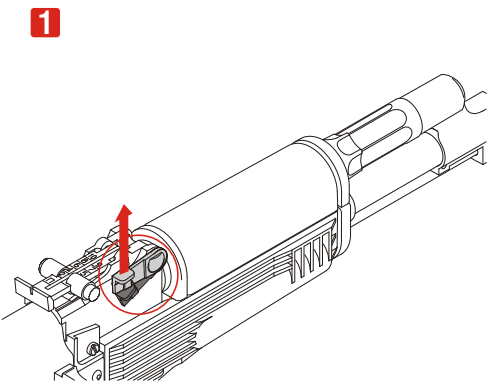


以六角板手卸下定位螺絲，再將
下護木往前推即可取出下護木。
Loosen the screw and push forwards
the lower handguard, at last remove it

4.

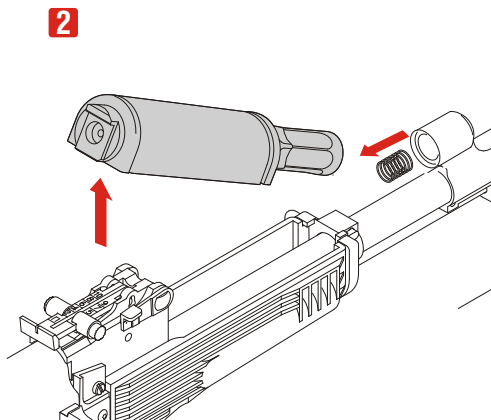
ICS-35 AK74M

1



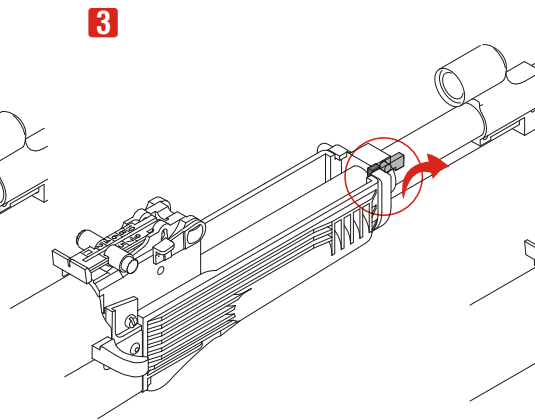
將上護木環固定鈕扳起。
Pull up the upper
handguard fixed
lever.

2



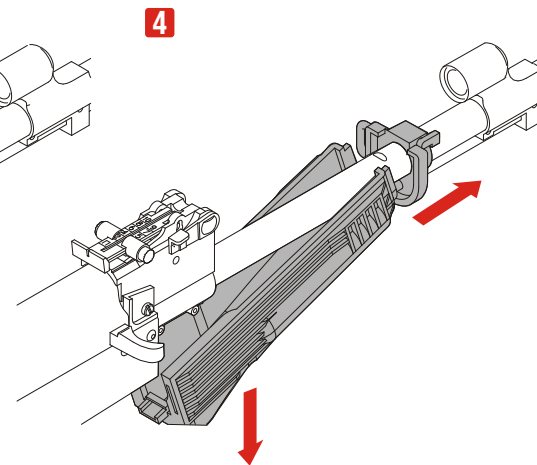
將上護木環整個往上拉，上護木及
彈簧可卸下。
Disassemble the upper handguard
and remove the spring.

3



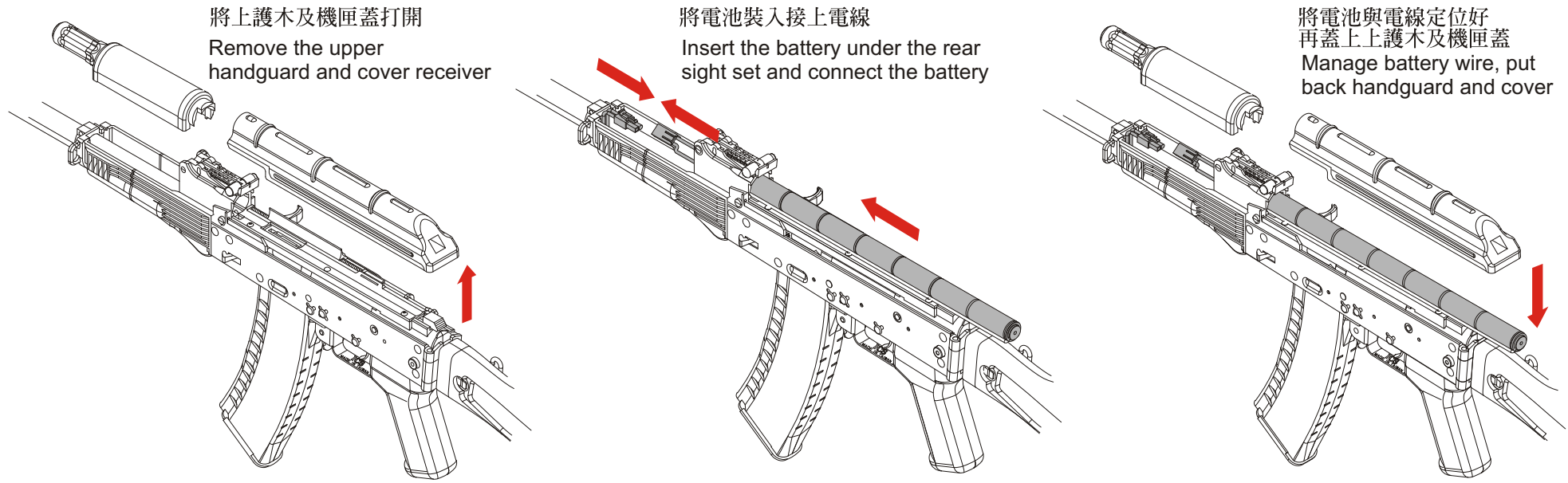
將下護木環固定鈕扳起。
Pull up the lower
handguard fixed lever.

4



下護木環整個往前拉，下護木即可卸下。
Push forward the lower handguard ring
and then the lower handguard can be
removed.

裝電池方法
Battery fitting method

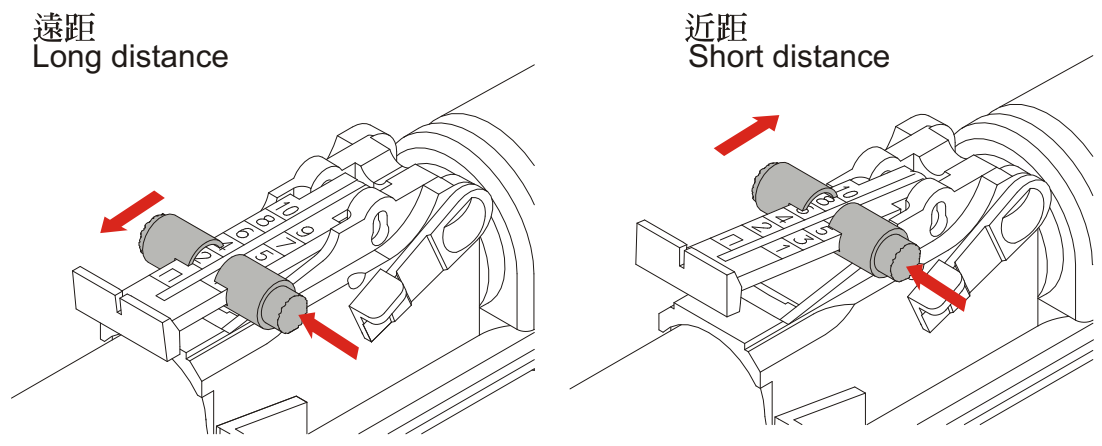


將上護木及機匣蓋打開
Remove the upper handguard and cover receiver

將電池裝入接上電線
Insert the battery under the rear sight set and connect the battery

將電池與電線定位好再蓋上上護木及機匣蓋
Manage battery wire, put back handguard and cover

覘孔調整方式
Rear sight and adjustments



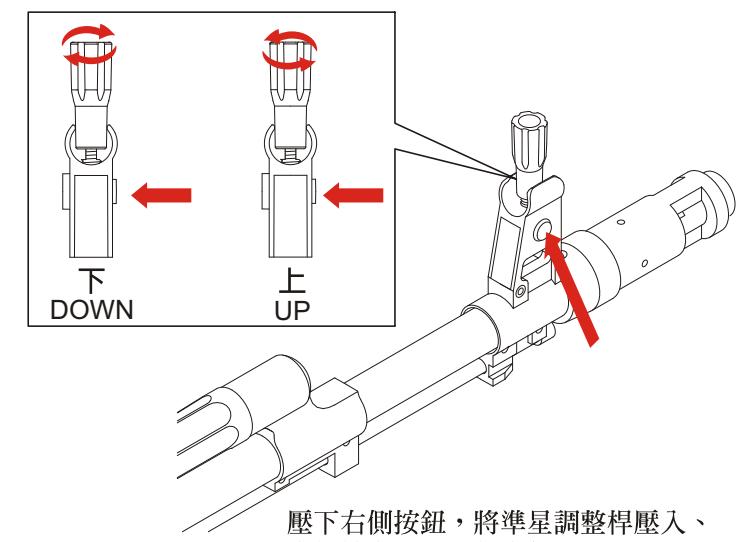
遠距
Long distance

近距
Short distance

將覘孔調整鈕往後拉，卡住射擊所需的刻度。
Press the adjusting button and slide it backward to the suitable index.

將覘孔調整鈕往前推，卡住射擊所需的刻度。
Press the adjusting button and slide it forward to the suitable index.

準星高度調整
Bear sight and front sight adjustments



下
DOWN

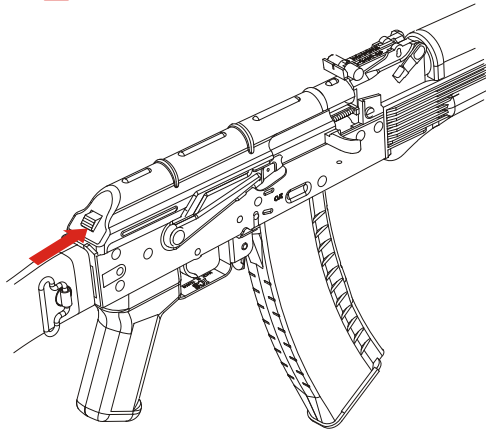
上
UP

壓下右側按鈕，將準星調整桿壓入、定位轉動即可調整高低。
Press right side button use tool to adjust sight.

齒輪箱拆卸 Gear box

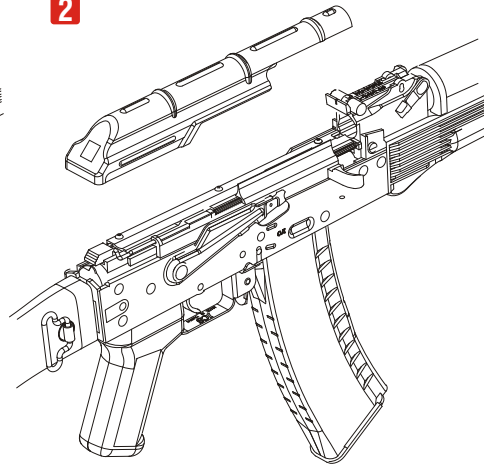
ICS-34 AKS74U / ICS-35 AK74M 6.

1



按下機匣蓋開關。
Press the top receiver
catch button.

2



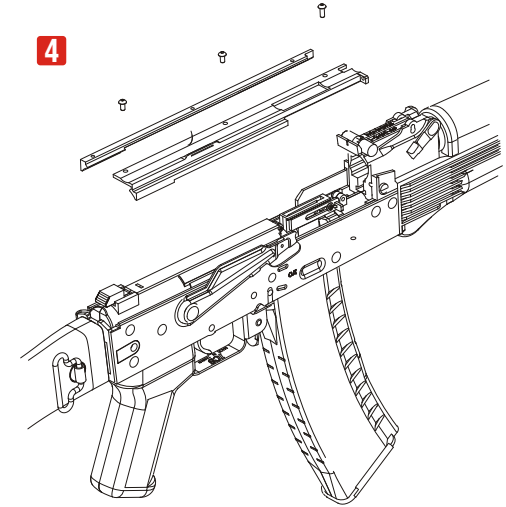
卸下機匣蓋
Remove the top receiver.

3



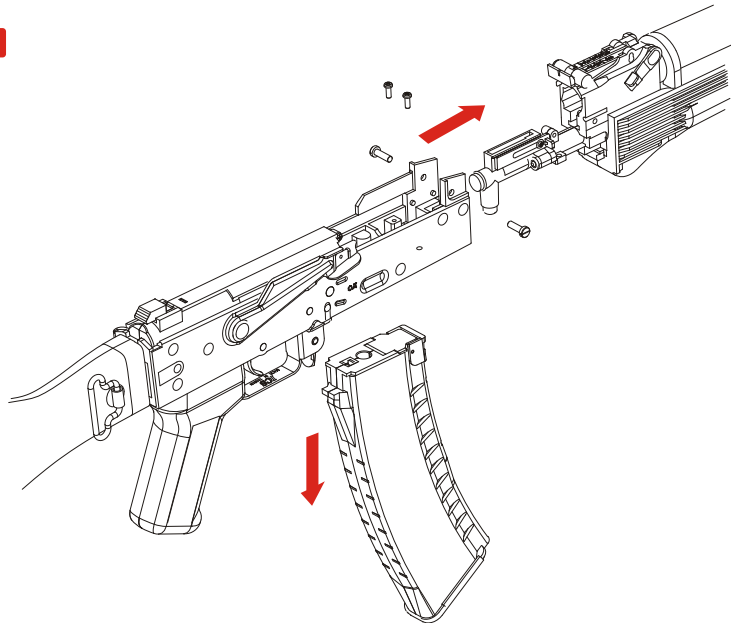
卸下槍機拉柄組
Remove the charging set.

4



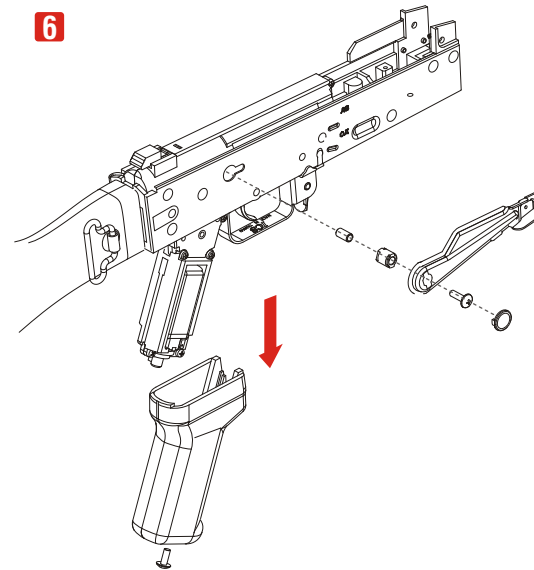
取下電池座
Disassemble battery set.

5



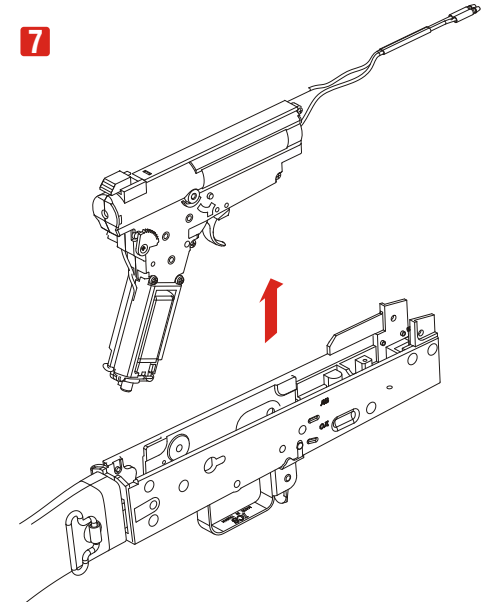
旋開槍管座螺絲，將前槍身往前推，再卸下彈夾
Loosen the reinforced outer barrel screw. push
forwards the rear sight set and remove the magazine.

6



卸下選擇桿及選擇桿連動軸套握把等零件
Remove the fire mode selector lever and grip.

7

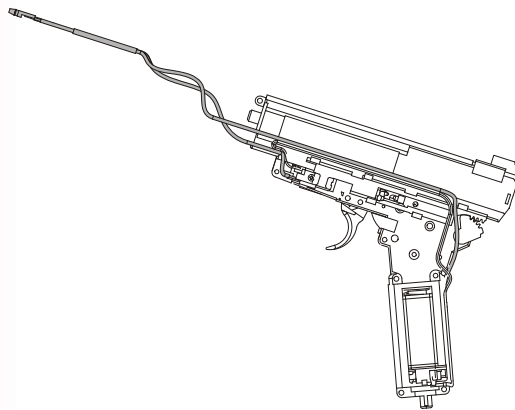


將 BOX 取出
Pull out the gear box.

槍身與 Box 組裝

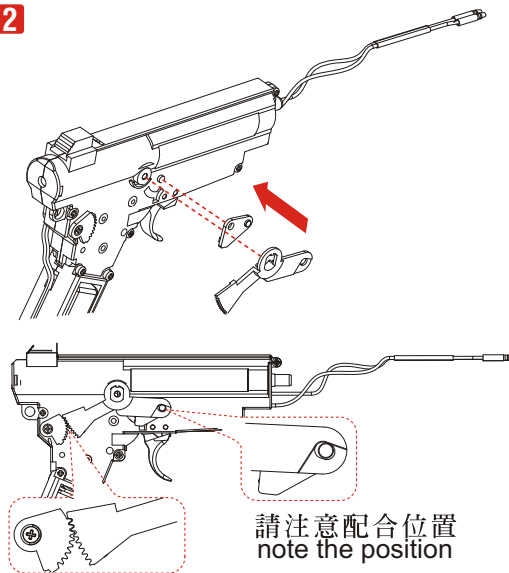
How to fabricate the receiver and box

1



請將電線依圖示做好整理
Arrange the wires as pictured above.

2

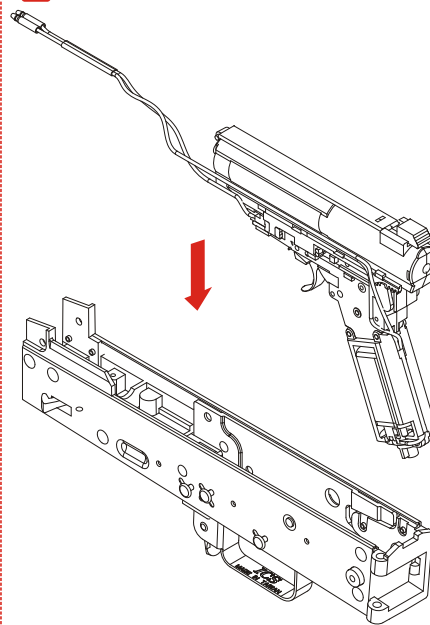


請注意配合位置
note the position

裝入時請注意齒片配合位置
note the gear wheel position while assembling

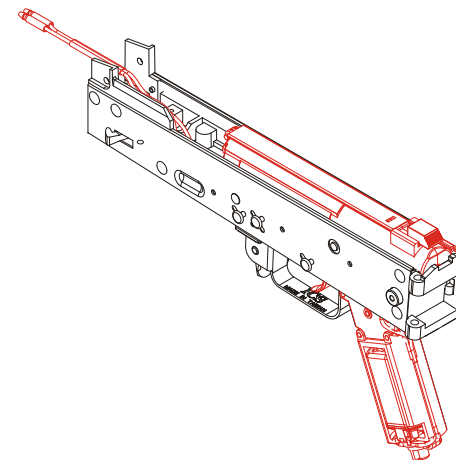
將Y型連動片及保險旋片依圖示裝入
Assemble Y slice and selector slice as illustrated.

3



將BOX裝入槍身
Insert gearbox to the receiver.

4

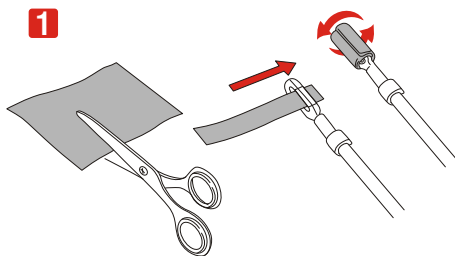


將線材拉到最佳之位置，避免壓到線，並確認電線已裝入BOX中。
Manage wire on well position.

通槍條使用方法

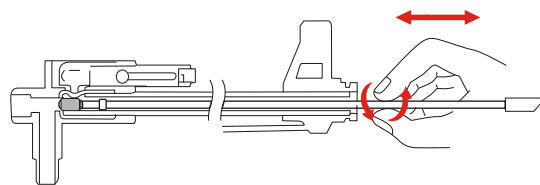
How to use a cleaning rod

1



將棉布剪成長約25~30mm
寬約10mm後再捲繞在通槍條上
Cut the cotton cloth length :
approx 25~30mm / Width approx:10mm
and wind the cut cotton cloth

2

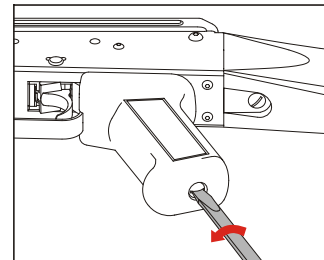


將通槍條插入並旋轉及前後拉動以清理內管
Use the cleaning rod to move forwards
and backwards along the barrel to clean
and remove any dirt build-up inside.

馬達間隙調整

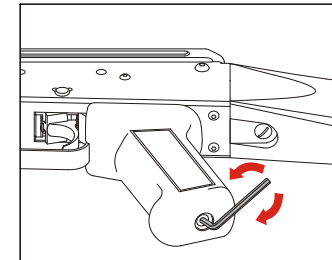
Fine adjustment of gear engagement.

1



以一字起子將握把螺絲鬆開。
Release grip screw.

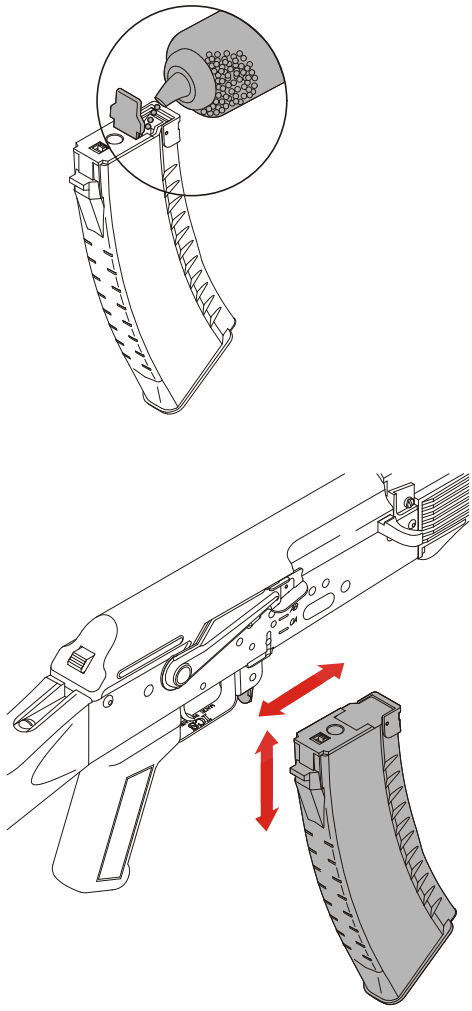
2



以六角板手將馬達齒輪間隙調整到最佳位置，請勿自行調整。
Use a hexagonal allen wrench
to fine tune the engagement
between the motor and bevel
gear. Don't adjust by yourself.

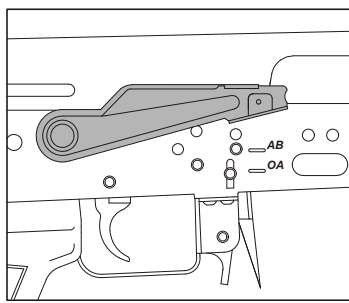
彈匣使用方式
Magazine attachment

裝BB彈方式
Load BBs

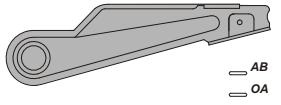


按下彈匣卡榫即可將彈匣裝入或拆下。
Press the magazine release lever to load or unload the magazine.

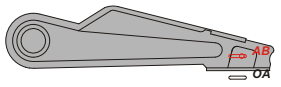
單連發選擇方式
Selector lever and safety setting



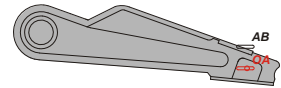
保險
Safety setting



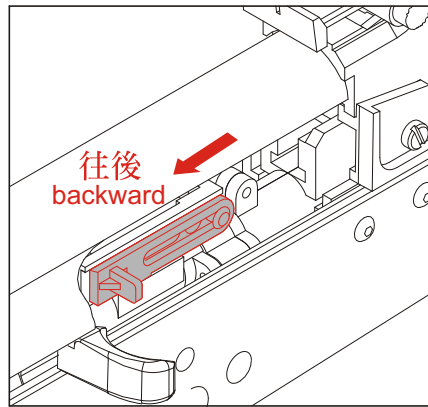
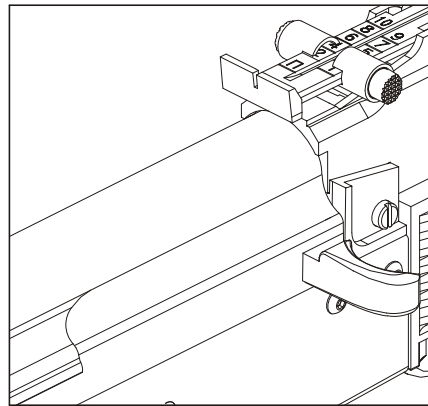
連發
Fully automatic



單發
Semi automatic



Hop Up彈道調整
Hop Up adjustment



1. 上飄
Decrease Hop

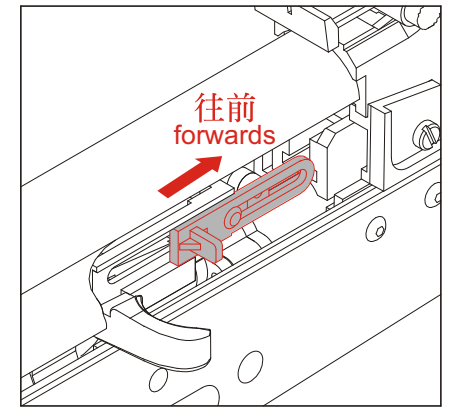
ICS-34 AKS74U
ICS-35 AK74M &

調整方法:

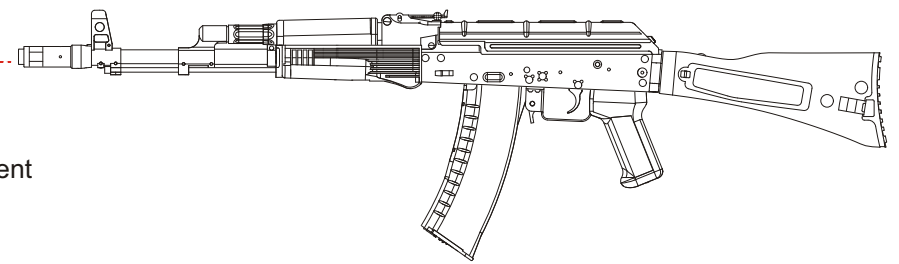
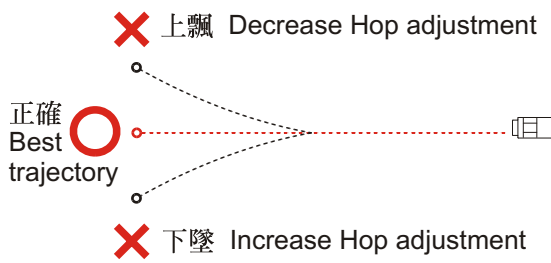
1. 將HOP UP往後調整，即可使BB彈往上飄。
2. 將HOP UP往前調整，即可使BB彈往下墜。

Adjustment procedure:

1. Backward Hop up , pellet will float up.
2. Forward Hop up , pellet will fall down.

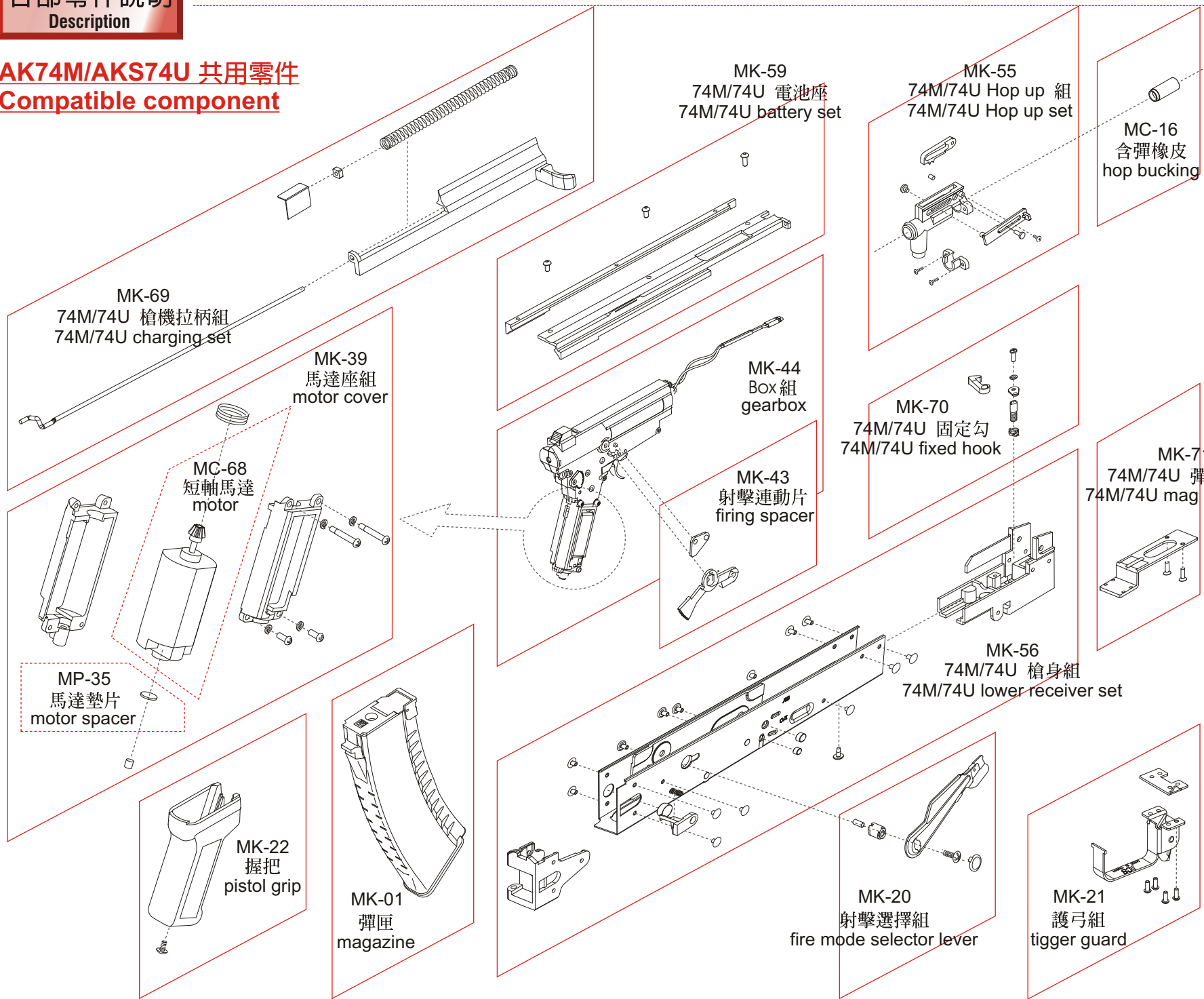


2. 下墜
Increase Hop

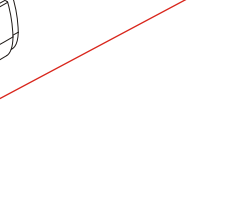
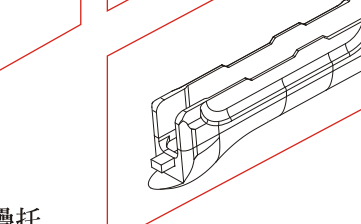
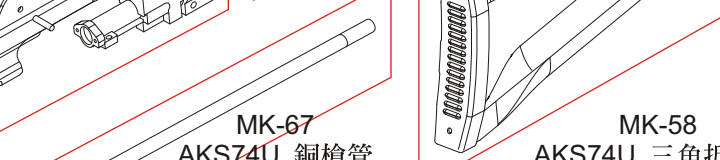
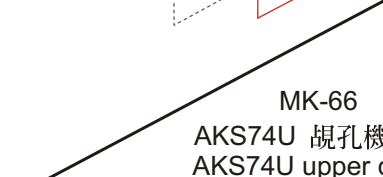
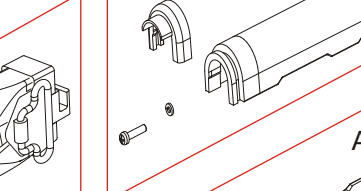
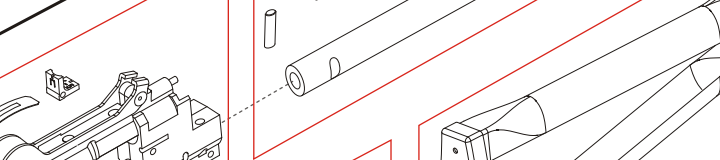
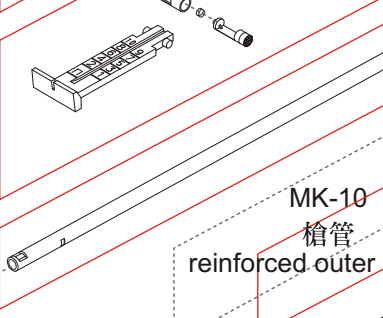
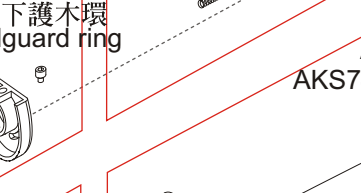
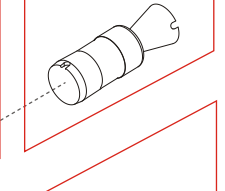
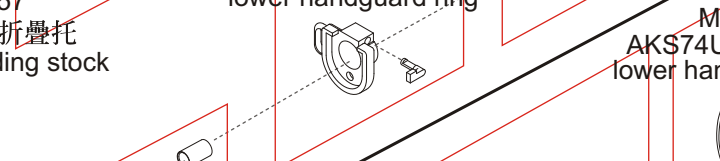
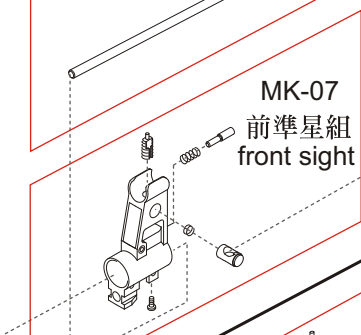
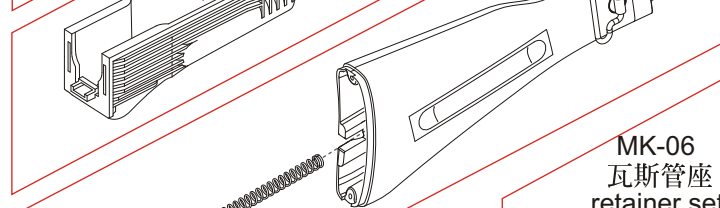
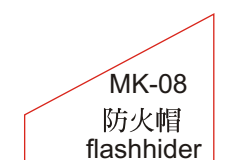
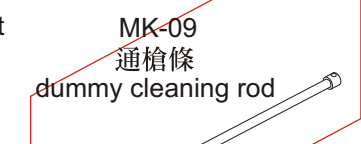
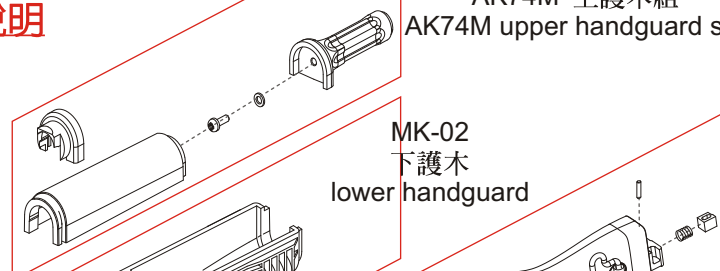
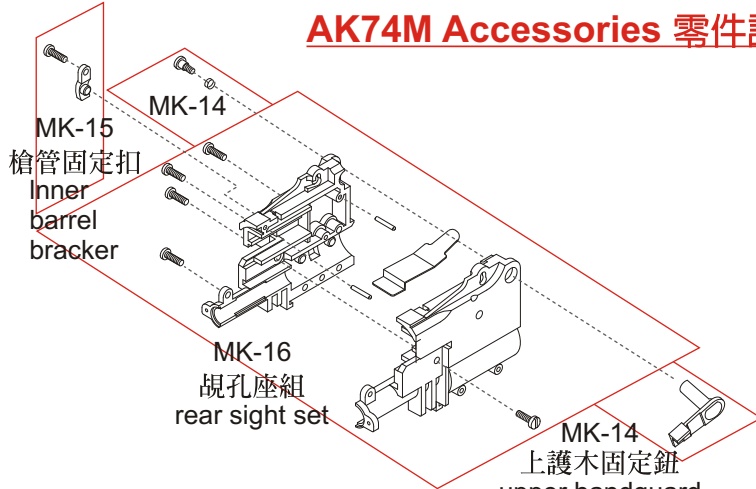


各部零件說明
Description

AK74M/AKS74U 共用零件
Compatible component



AK74M Accessories 零件說明



AKS74U Accessories 零件說明