



<http://www.icsbb.com>



- **ICS-27 CQB OA93 Folding stock**
- **ICS-28 CQB M4A1 Retractable**
- **ICS-29 CQB Pistol**

- **Always read through this manual before operation user restricted to 18 year of age or older**

INSTRUCTIONS

AIRSOFT ELECTRIC GUN

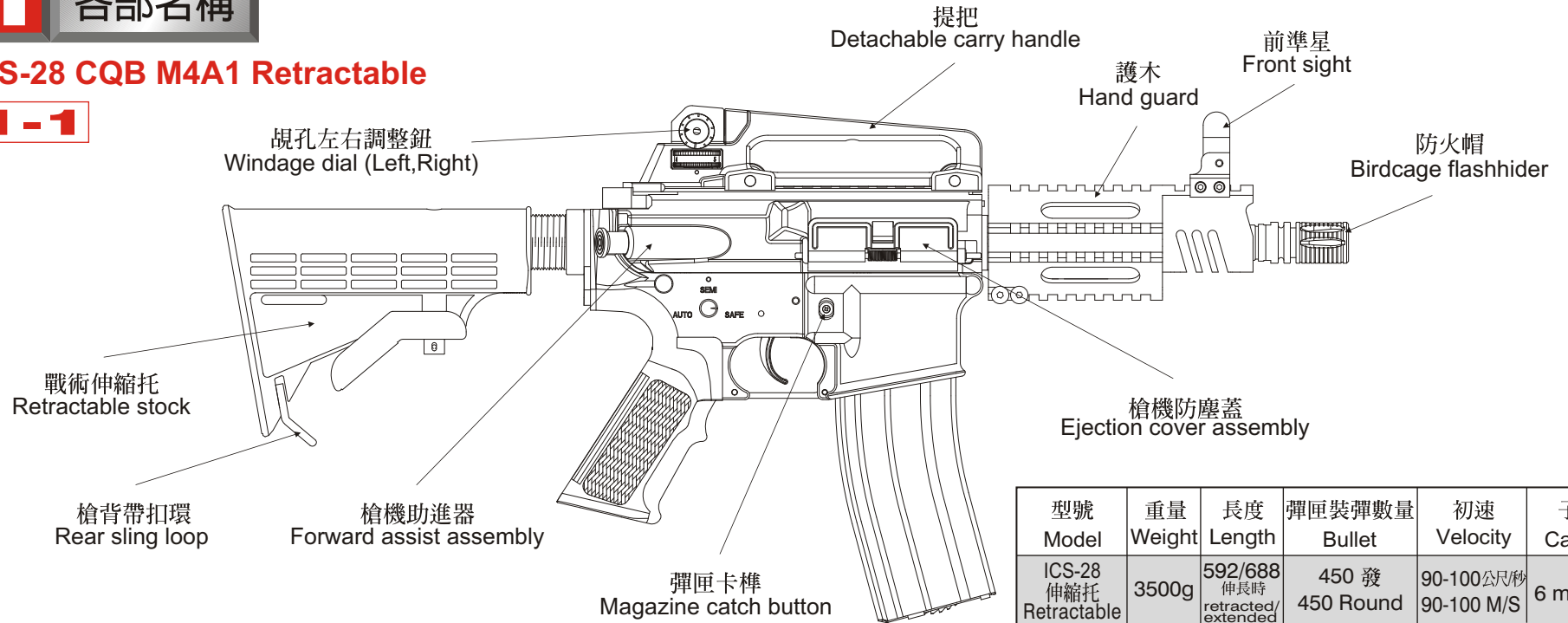


1

各部名稱

ICS-28 CQB M4A1 Retractable

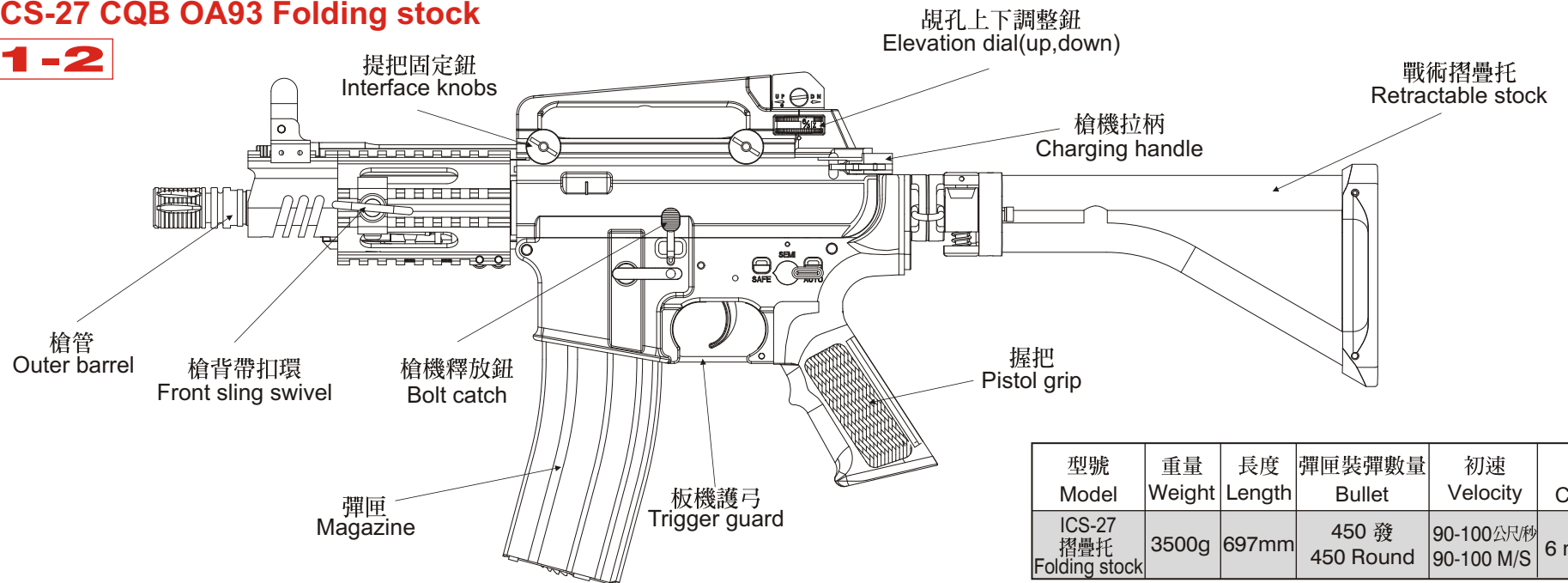
1-1



型號 Model	重量 Weight	長度 Length	彈匣裝彈數量 Bullet	初速 Velocity	子彈 Caliber
ICS-28 伸縮托 Retractable	3500g	592/688 伸長時 retracted/ extended	450 發 450 Round	90-100公尺/秒 90-100 M/S	6 mm BB

ICS-27 CQB OA93 Folding stock

1-2

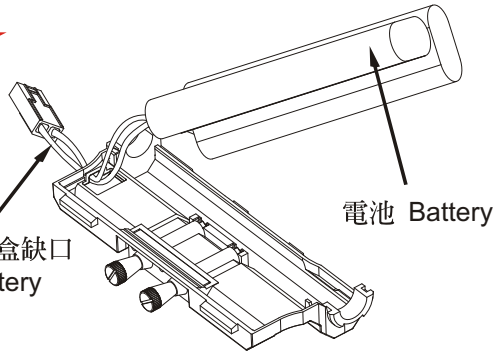
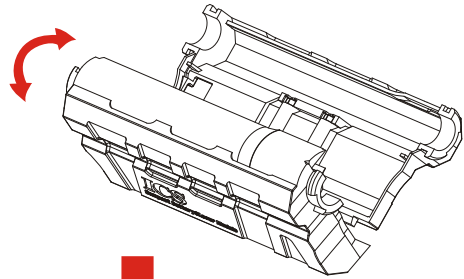


型號 Model	重量 Weight	長度 Length	彈匣裝彈數量 Bullet	初速 Velocity	子彈 Caliber
ICS-27 摺疊托 Folding stock	3500g	697mm	450 發 450 Round	90-100公尺/秒 90-100 M/S	6 mm BB

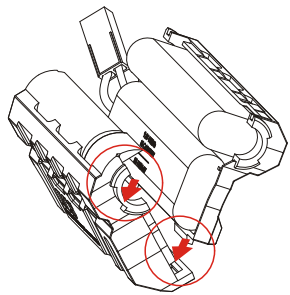
2 裝電池方法

2-1

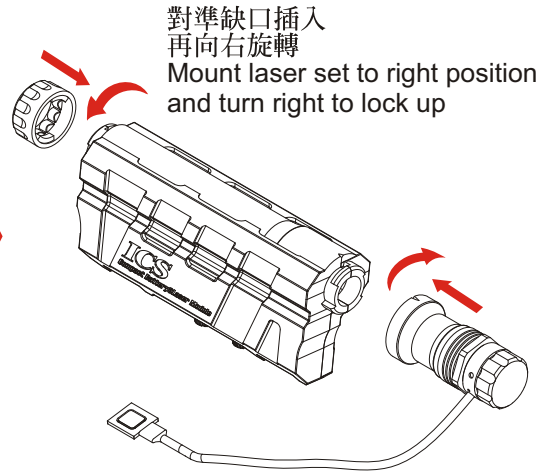
Compact Battery & Laser Module



電池插頭穿過電池盒缺口
Insert wire into battery end tunnel



卡筭對準缺口插入再合起來
Combine both side cover and on right position



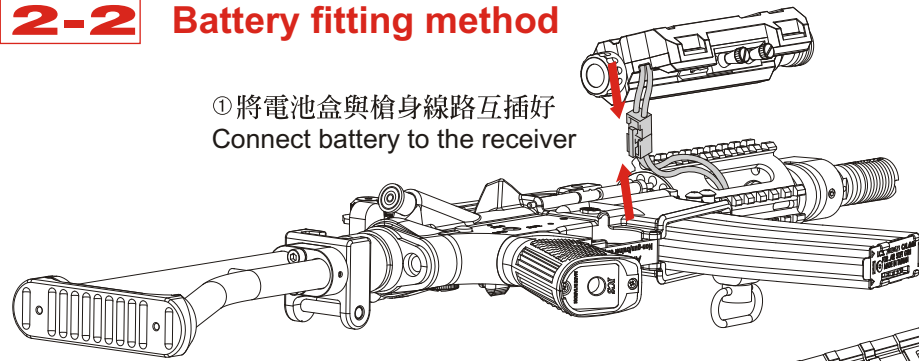
對準缺口插入
再向右旋轉
Mount laser set to right position
and turn right to lock up



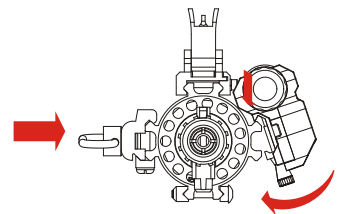
2-2

Battery fitting method

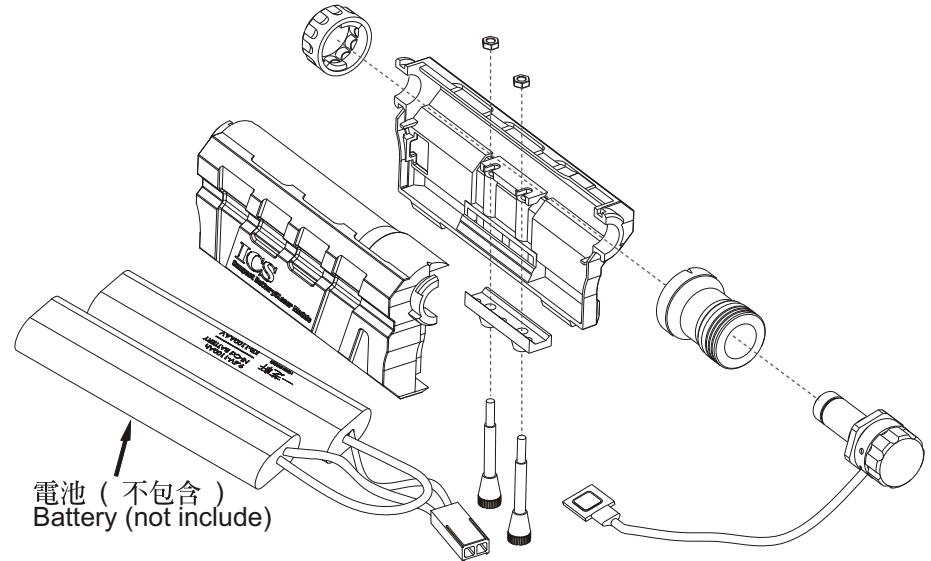
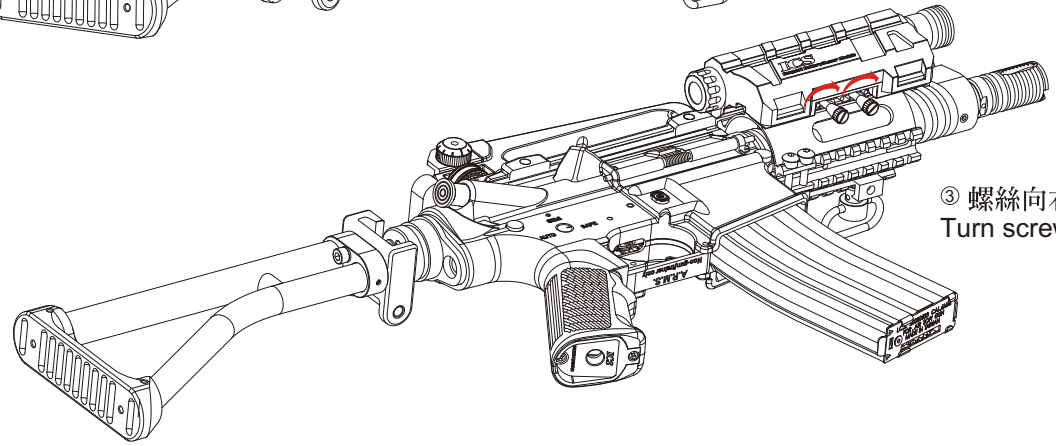
① 將電池盒與槍身線路互插好
Connect battery to the receiver



② 依勢坎入
Mount on battery box



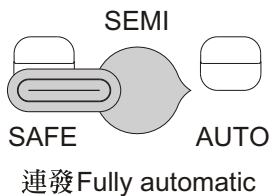
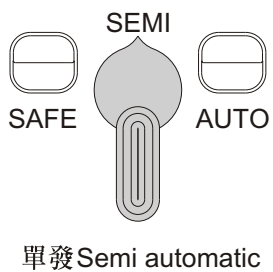
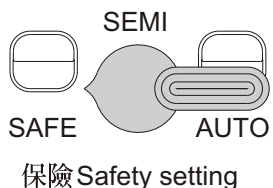
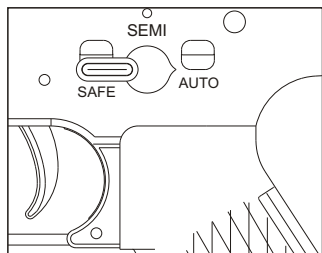
③ 螺絲向右鎖緊即可
Turn screw right to lock



3

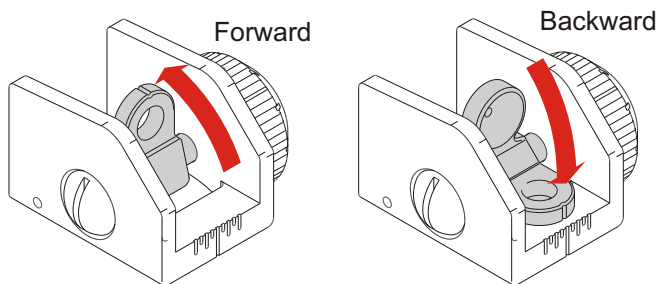
精確射擊調整動作 Ironsight adjustment

3-1 單連發選擇方式 Selector lever setting



3-2 覘孔調整方式 Open sight adjustment

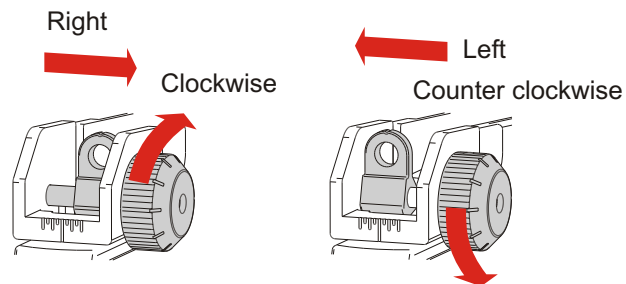
A: 精密射擊調整 Rear sight precision targeting adjustment



近距
將覘孔往前推
Common/close-range/
low-light shooting.
Push forward to engage
battle sight.

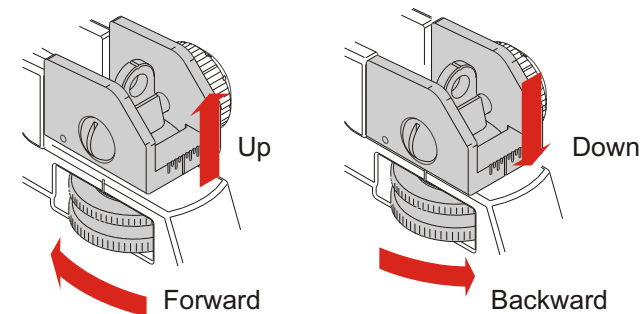
遠距
將覘孔往後推
Precision daylight shooting.
Push backward to engage
peep hole.

C: 覘孔左右調整 Rear sight left-right adjustment



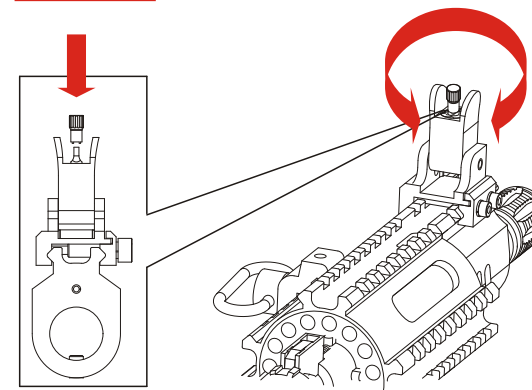
依旋鈕方向旋轉即可將覘孔組左右調整
Turn clockwise to aim right.
Turn counter clockwise to aim left.

B: 覘孔高度調整 Rear sight up-down adjustment



將調整鈕往前轉即可升高覘孔組，
將調整鈕往後轉即可降低覘孔組。
Turn the dial forward to raise the hitting point.
Turn the dial backward to lower the hitting point.

3-3 準星高度調整 Front sight adjustment



將準星調整桿壓入定位轉動即可調整高低
Turn clockwise to raise B.B. hitting point.
Turn counter clockwise to lower B.B. hitting point.

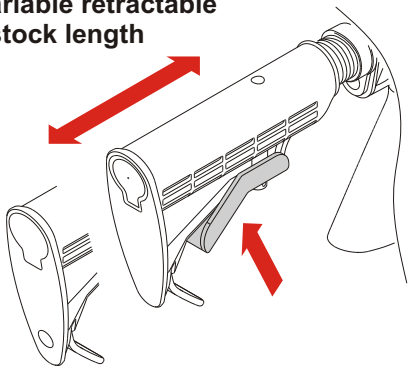
4

可動部的說明

Movable parts

4-1

伸縮托長度調整
Variable retractable stock length

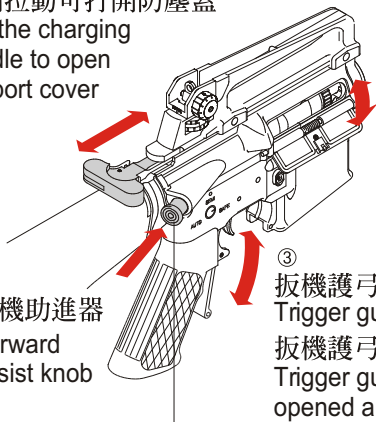


按下卡榫，即可將伸縮托向後拉或向前推，共有 6 段可供調整長度。
Push the stock release lever to unlock. Adjust the 6 position retractable stock to the most comfortable position.

4-4

可作動作
Movable parts

① 槍機拉柄 Charging handle
拉柄拉動可打開防塵蓋
Pull the charging handle to open the port cover



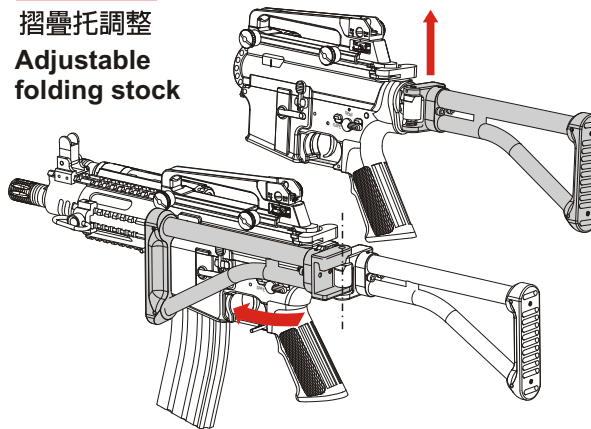
② 槍機助進器
Forward assist knob

槍機助進器能夠推動
Forward assist knob can be

③ 扳機護弓
Trigger guard
扳機護弓可開或關
Trigger guard can be opened and closed

4-2

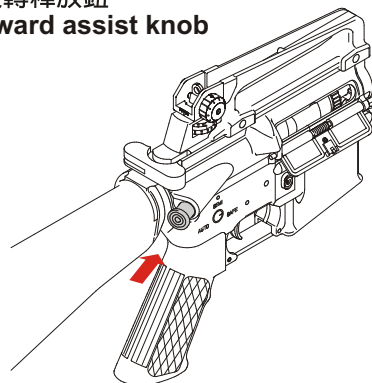
摺疊托調整
Adjustable folding stock



將後拖座微提後即可摺疊
Pull up the stock set then fold the stock

4-5

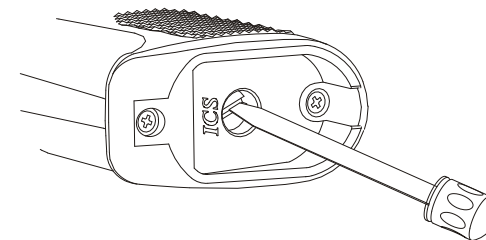
止逆轉釋放鈕
Forward assist knob



- 收槍前及不使用時按止逆轉釋放鈕，可將活塞彈簧回覆至原處。
- 槍身做分解時，必須先釋放活塞彈簧，才可做分解動作。
1. Push the forward assist knob to release the spring tension before storage.
2. Push the forward assist knob before you assemble the gear box.

4-3

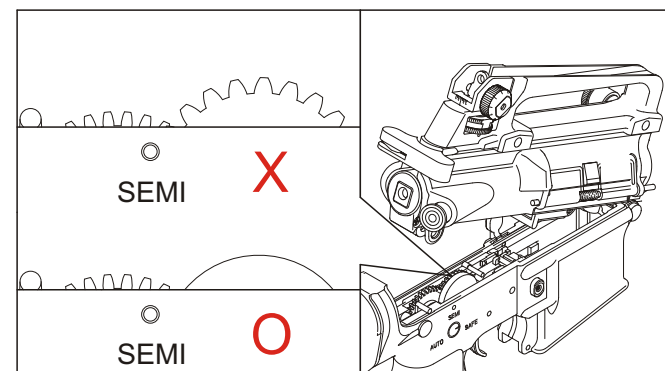
馬達間隙調整
Fine adjustment of gear engagement



以一字起子將馬達齒輪間隙調整到最佳位置。（出廠前已調整好）若無特殊需求時，請勿自行調整。
Using a screw driver to fine tune the engagement between motor and gear.

4-6

槍身結合 3 號齒正確位置圖
The correct position of No.3 gear before reassembling



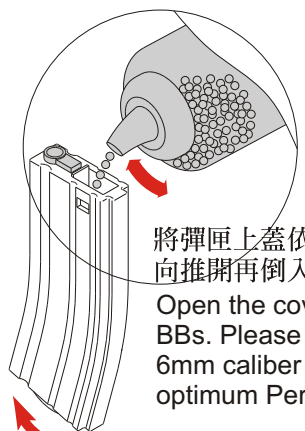
3 號齒在槍身結合時，必須轉到正確位置，才可將上槍身蓋下。
Make sure No.3 gear is turned to the correct position before you reassemble the receiver/gearbox.

5 彈匣使用方式

Magazine

5-1

裝BB彈方式
load BBs

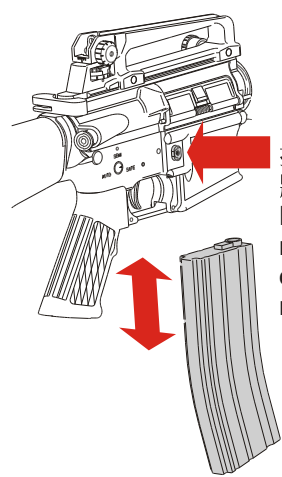


將彈匣上蓋依箭頭方向推開再倒入 B.B.彈
Open the cover to load BBs. Please use ICS 6mm caliber BBs for optimum Performance.

依箭頭方向旋緊彈匣底下旋鈕，即可將 B.B. 彈順利送出。
To charge BB feed spring, please wind magazine.

5-2

彈匣上下方式
Magazine loading and unloading

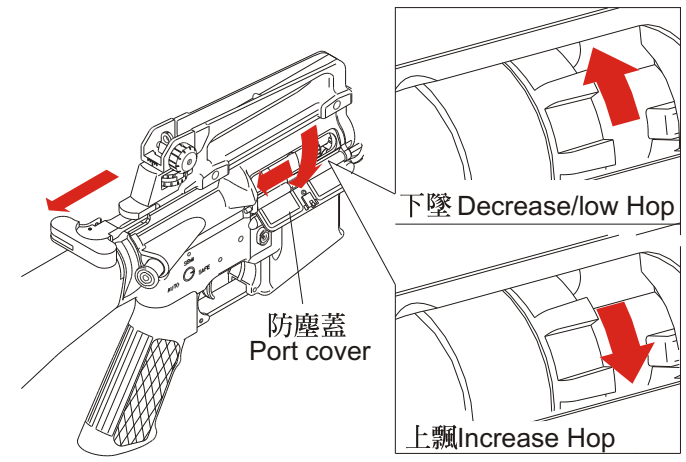


按下彈匣卡榫即可將彈匣裝入或拆下
Press the magazine release lever to load or unload the magazine.

6 HOP-UP 彈道調整

Hop-up adjustment

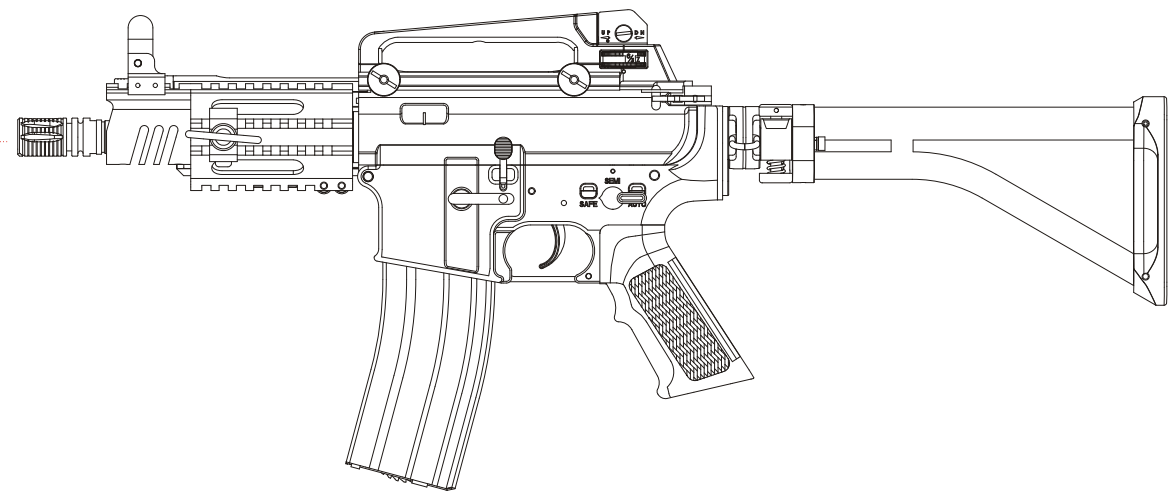
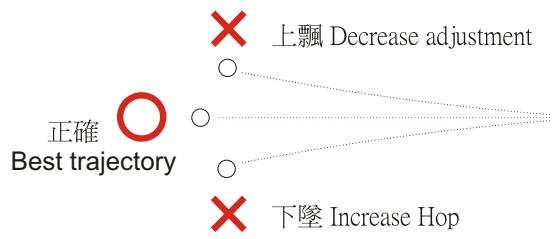
6-1



將槍機拉柄向後拉，防塵蓋即打開
Pull backward the charging handle opens the bolt covers for adjustment of Hop-up unit.

調整法：
子彈如果向上飄，將 Hop - up 環向上旋轉，如果向下墜就要向下旋轉，讓 B.B. 彈呈一直線的射出才是正確的位置。

Adjustment
Pull back the charging handle this opens the bolt cover for adjustment of Hop-up unit.



7

齒輪箱拆解

Disassemble Gear-box



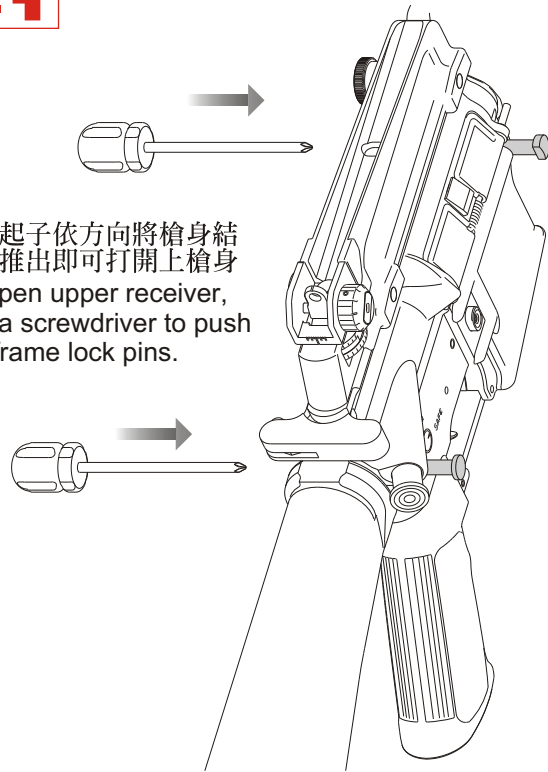
注意
CAUTION

※重新組裝時，必須依反向動作組合

Reassembly is the reverse of disassemblys procedures.

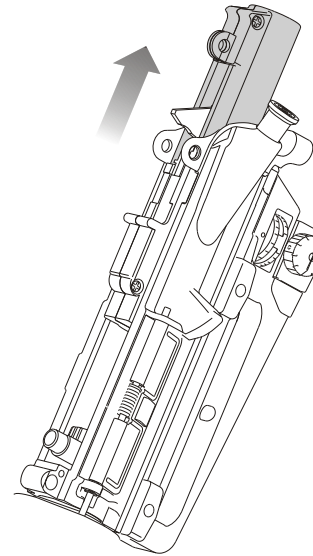
7-1

使用起子依方向將槍身結合銷推出即可打開上槍身
To open upper receiver, use a screwdriver to push out frame lock pins.



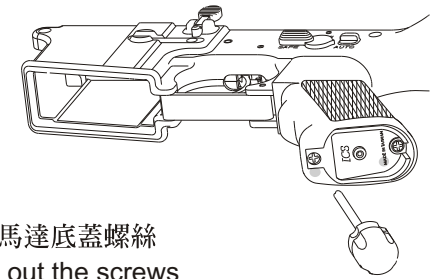
7-2

拆下活塞組
Take the piston out.



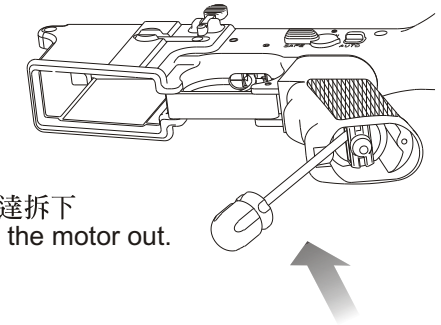
7-3

旋開馬達底蓋螺絲
Take out the screws on the plate.



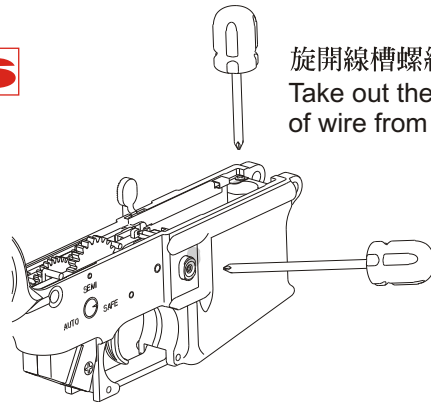
7-4

將馬達拆下
Take the motor out.



7-6

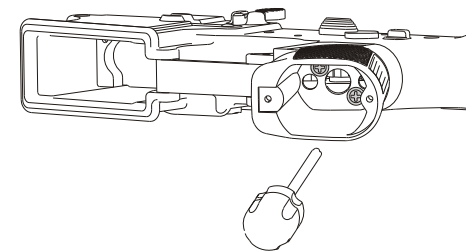
旋開線槽螺絲
Take out the screw of wire from concavity.



旋開彈匣卡筍螺絲
Take out magazine release lever.

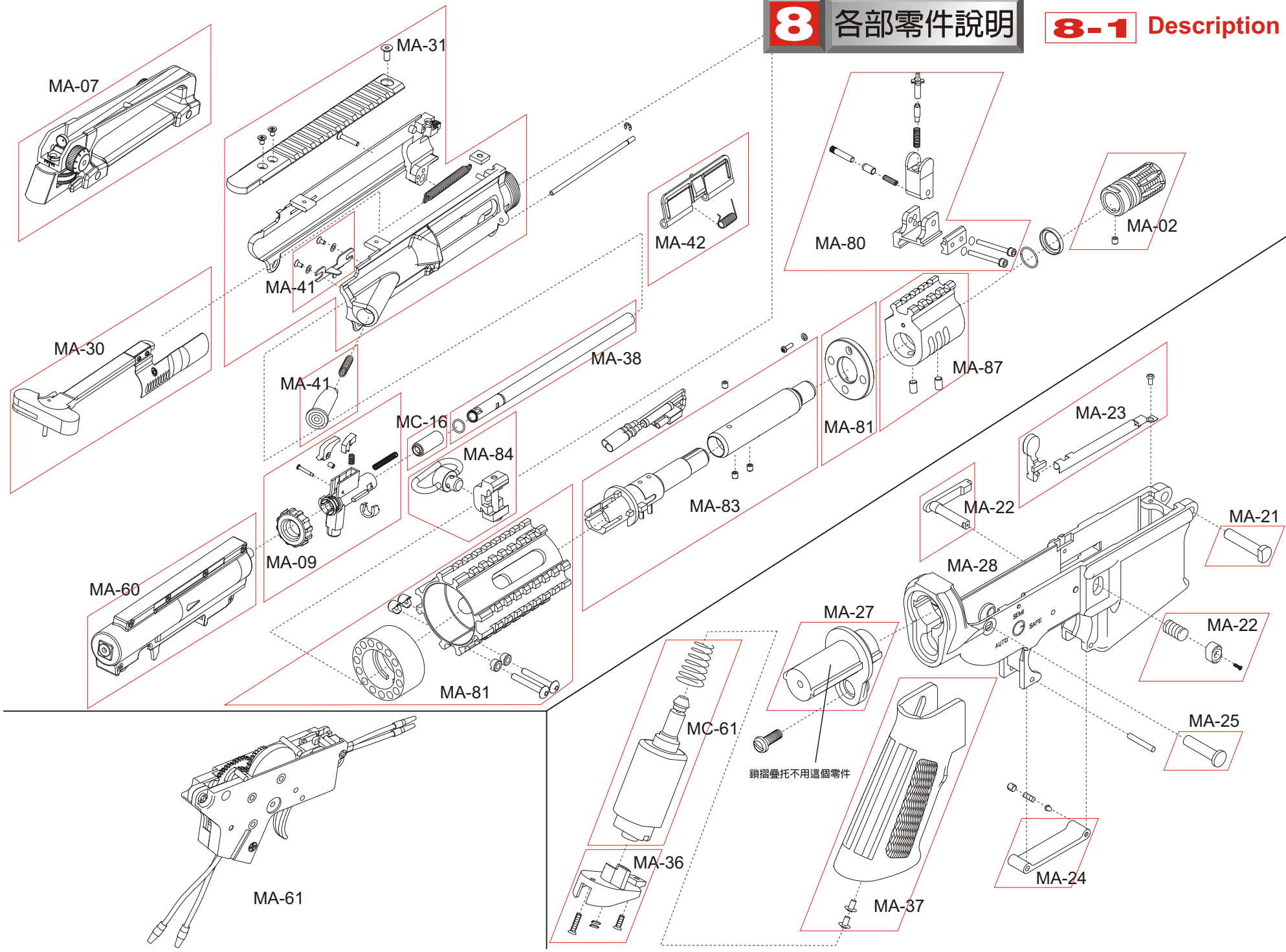
7-5

旋開握把內螺絲
Take out inner screw in the pistol grip.

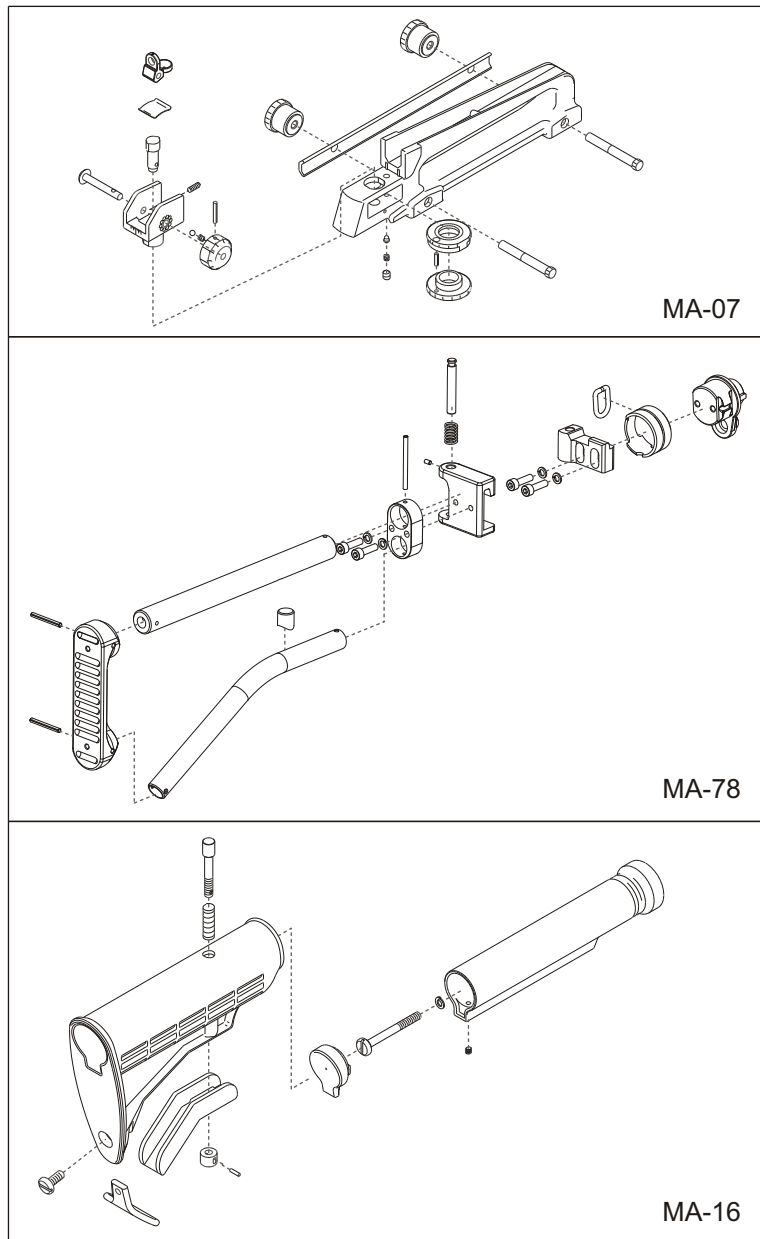


8 各部零件說明

8-1 Description



8-2 Description



9

後托拆換

Change Variety Stock

取下原後托或尾蓋可變化多種造型
Release original cap or stock to your favorite.

