

ICAR SERIES

www.icsbb.com

■ ICS-91 ■ ICS-92 ■ ICS-93 ■ ICS-94 ■ ICS-95



The Best Thing We Create
創造完美 永無止境



ICAR系列說明書

INSTRUCTIONS

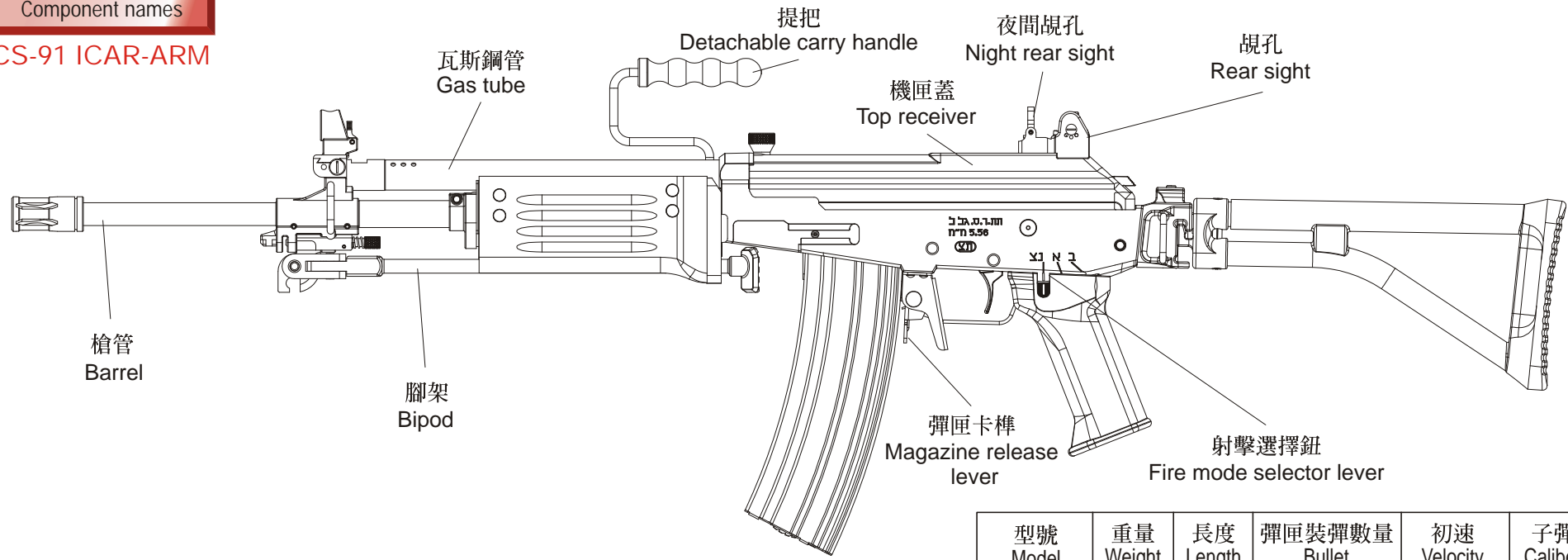
Always read through this manual before operation
User restricted to 18 year of age or older



Printed by ICS®

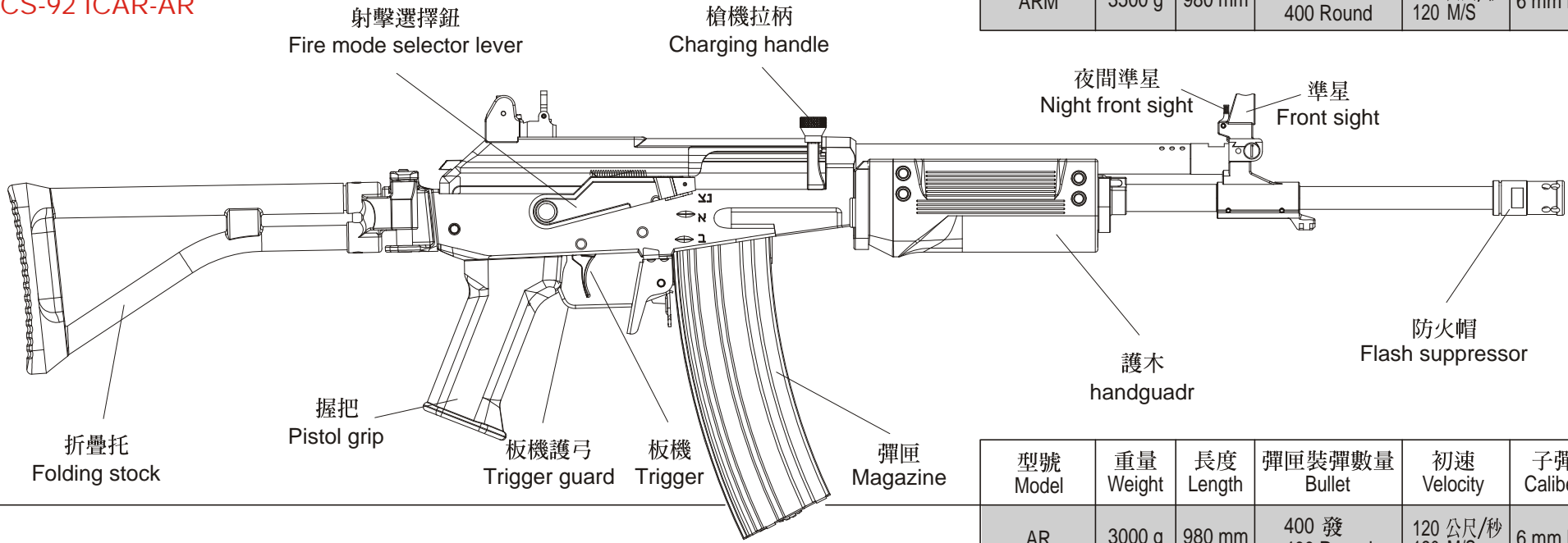
各部名稱
Component names

ICS-91 ICAR-ARM



型號 Model	重量 Weight	長度 Length	彈匣裝彈數量 Bullet	初速 Velocity	子彈 Caliber
ARM	3500 g	980 mm	400 發 400 Round	120 公尺/秒 120 M/S	6 mm BB

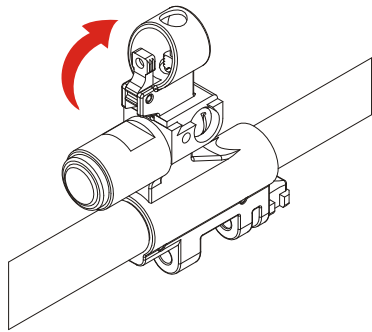
ICS-92 ICAR-AR



型號 Model	重量 Weight	長度 Length	彈匣裝彈數量 Bullet	初速 Velocity	子彈 Caliber
AR	3000 g	980 mm	400 發 400 Round	120 公尺/秒 120 M/S	6 mm BB

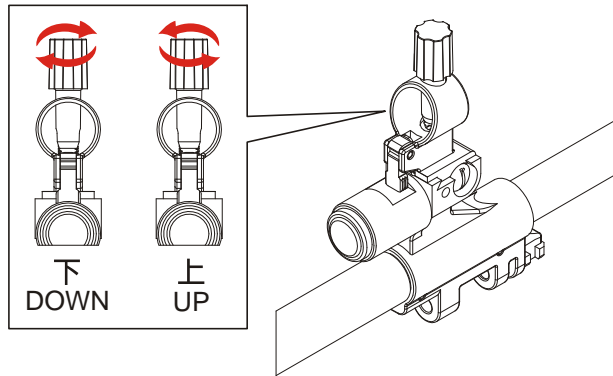
準星調整
Rear sight and front sight adjustments

切換夜間準星
Switch to night front sight



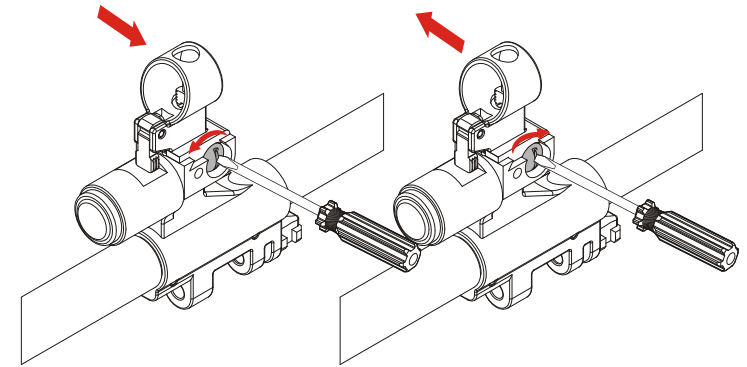
往上扳即可切換
To switch by pulling up

準星高度調整
Adjust the high of front sight



將準星調整桿壓入、定位轉動即可調整高低。
Insert the sight adjustment tool in the front sight and turn it for adjustment.

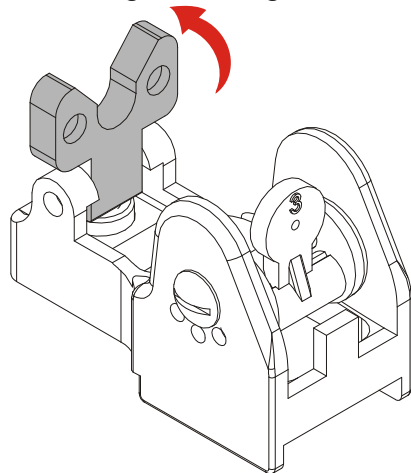
準星左右調整
Windage correction



以一字起子將準星調整螺絲轉動即可左右調整。
Take screwdriver to make the windage correction.

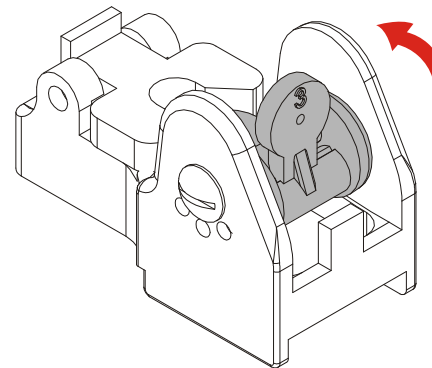
覘孔調整方式
Rear sight and adjustments

切換夜間覘孔
Switch to night rear sight



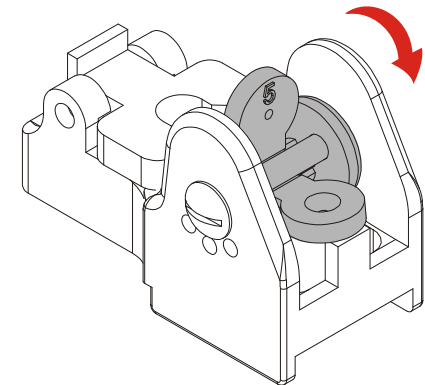
將夜間準星往上扳起
Lift up night rear sight

近距
Short distance



將覘孔往前扳動
Move sight forward

遠距
Long distance

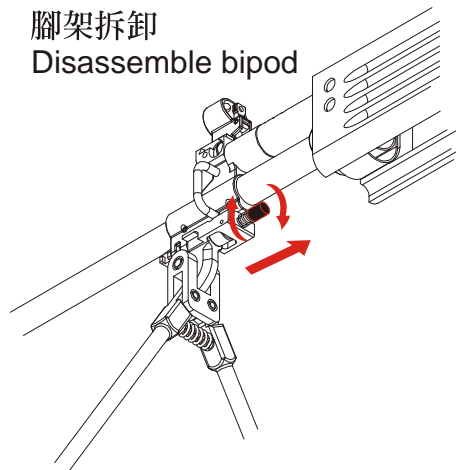


將覘孔往後扳動
Move sight backward

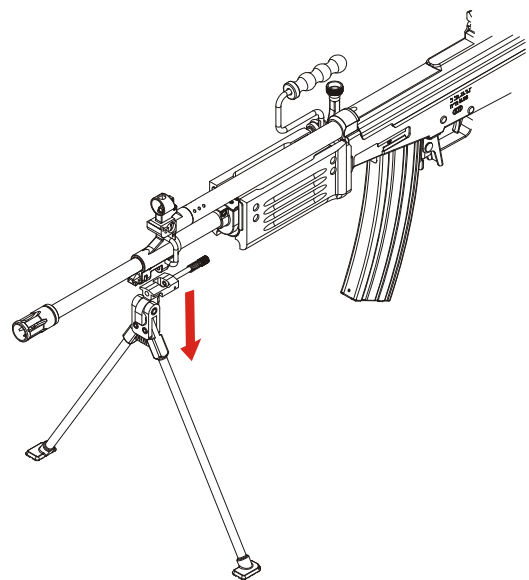
腳架說明

Bipod

腳架拆卸
Disassemble bipod

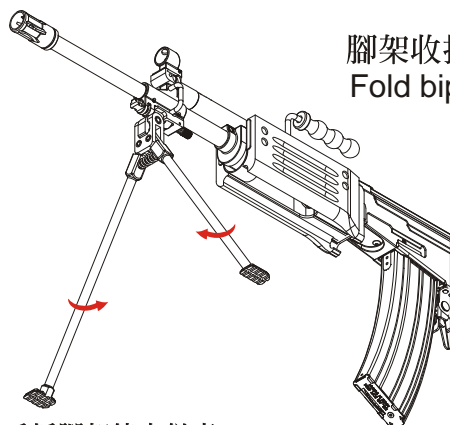


1. 先將固定桿轉到定位後並把固定桿往後拉
1. Release fix-stick to right position then pull stick

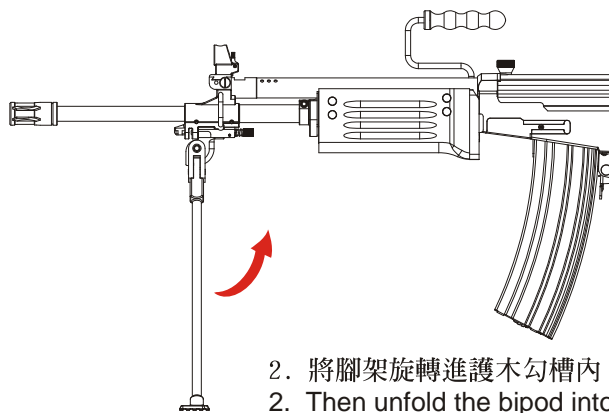


2. 往下拉開腳架
2. Unfold bipod

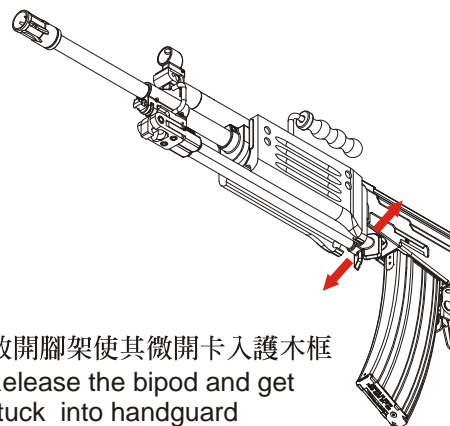
腳架收折
Fold bipod



1. 手抓腳架使之併齊
1. Fold and align the bipod



2. 將腳架旋轉進護木勾槽內
2. Then unfold the bipod into handguard

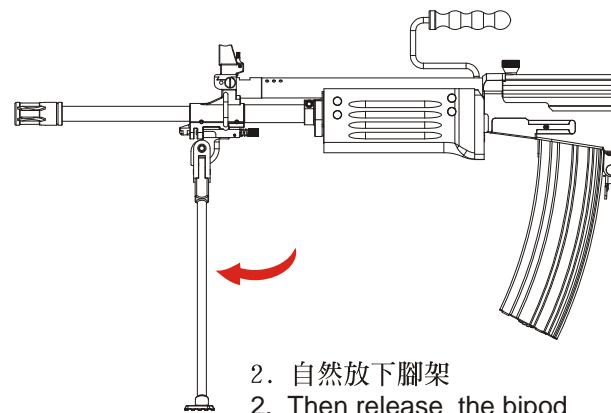


3. 放開腳架使其微開卡入護木框
3. Release the bipod and get stuck into handguard

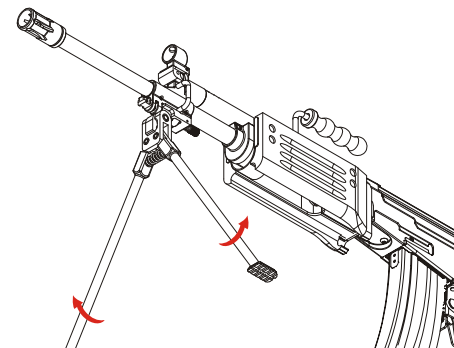
腳架釋放
Unfold bipod



1. 手抓腳架使之併齊
1. Fold and align the bipod



2. 自然放下腳架
2. Then release the bipod



3. 到達定位點後腳架可自然伸展開
3. To the right position and let the bipod stand.

齒輪箱拆卸

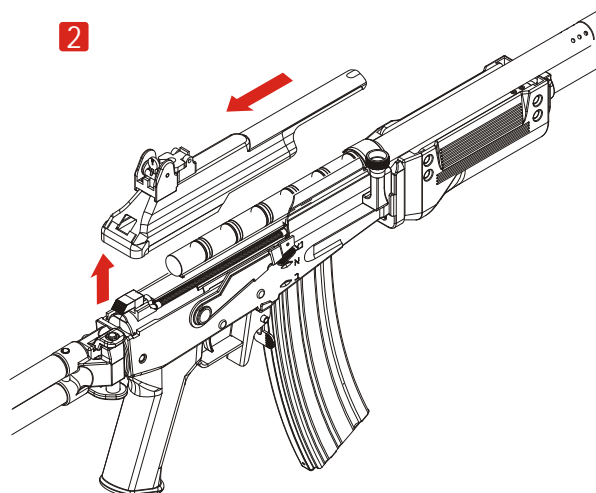
Gear box

1



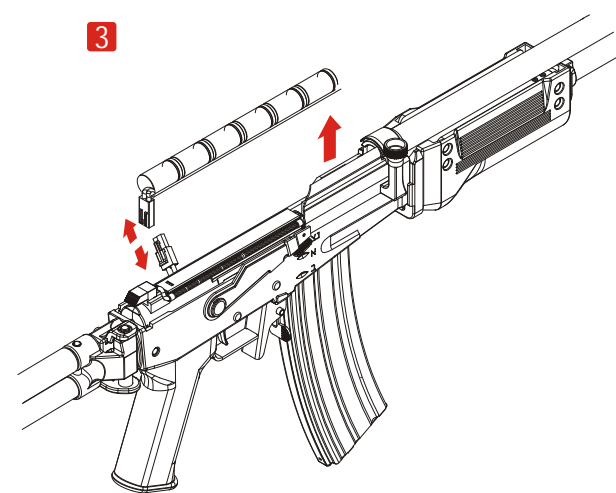
按下機匣蓋開關。
Press the top receiver
catch button

2



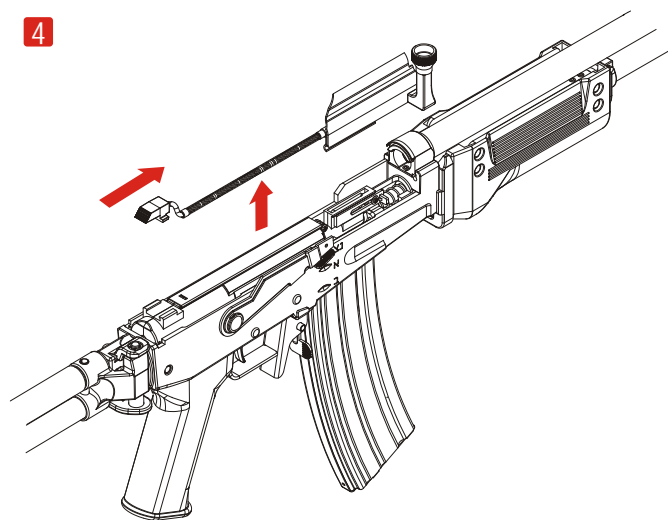
卸下機匣蓋。
Remove the top
receiver.

3



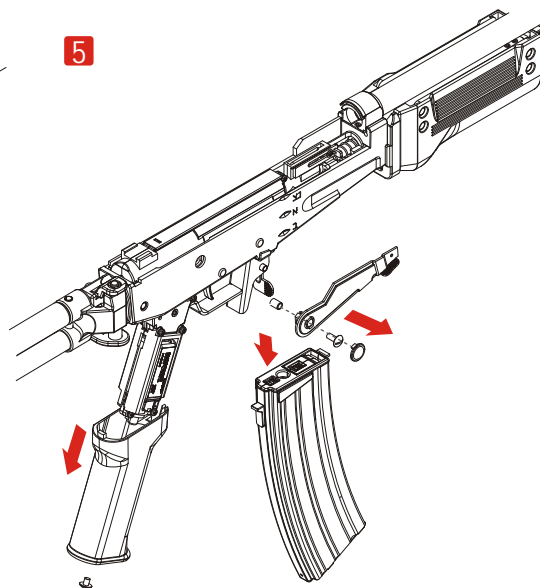
卸下電池組。
Remove the battery

4



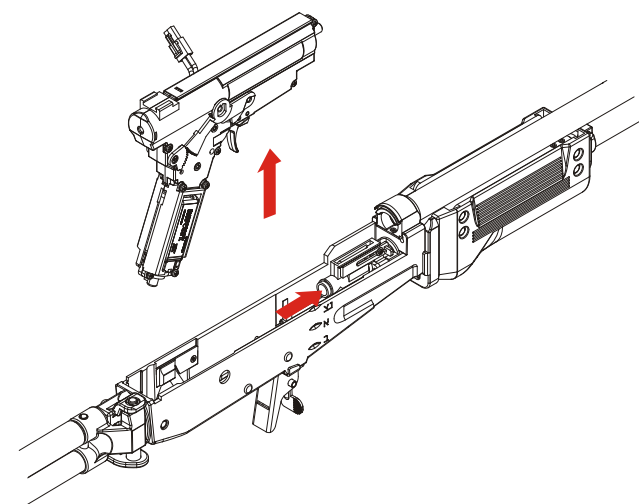
卸下槍機拉柄組
Remove the bolt handle

5



卸下彈匣、握把、射擊選擇桿等零件。
Remove the magazine、grip、
fire-select set.

6

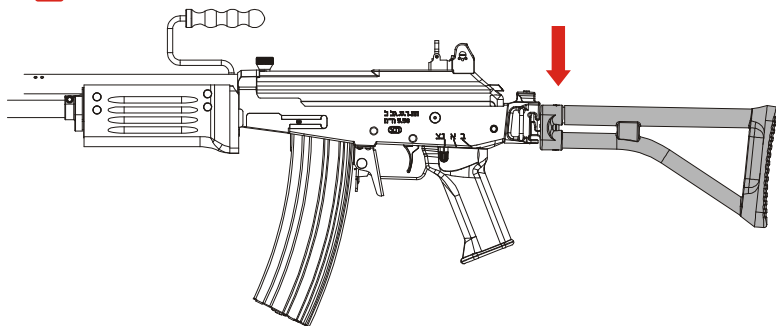


Hop up 往前推，即可將 Box 取出。
Pull upper hop up than gearbox can draw out.

折疊托調整

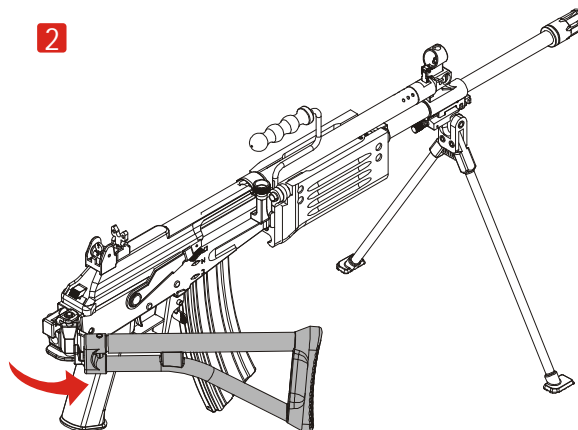
Folding stock

1

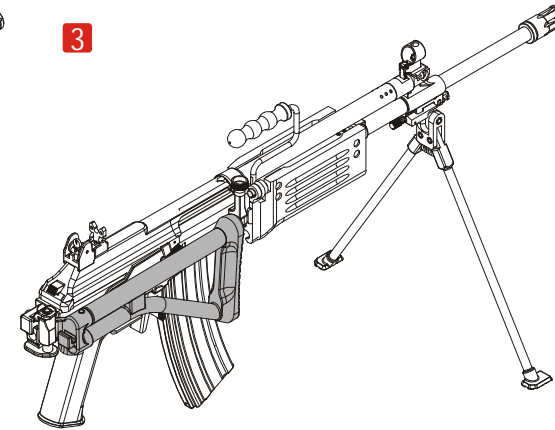


按壓槍托卡榫即可折疊
 Push the butt catch and fold the butt

2



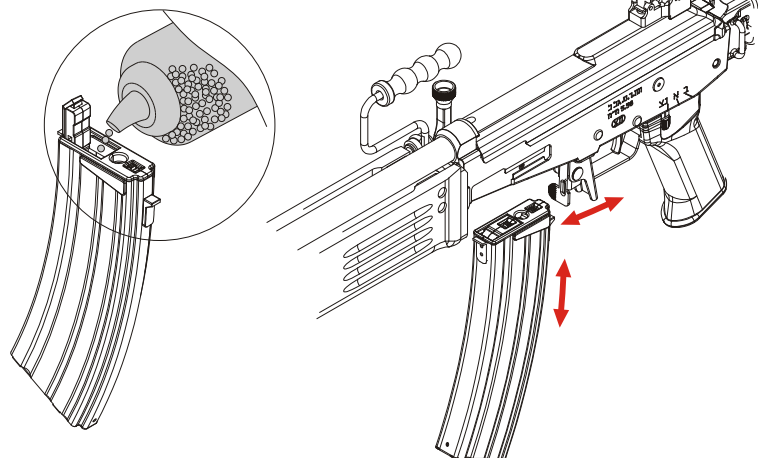
3



彈匣使用方式

Magazine attachment

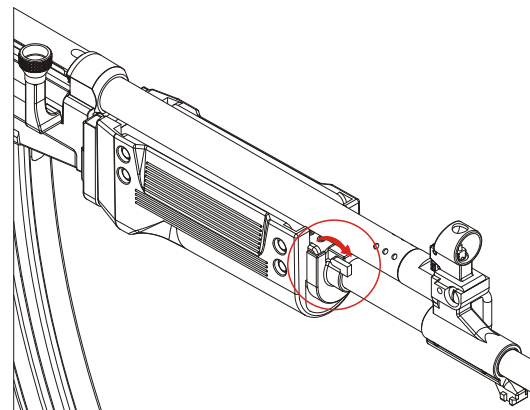
裝BB彈方式
 Load BBs



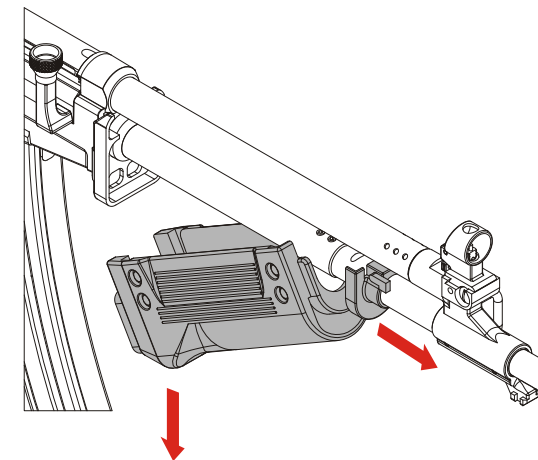
按下彈匣卡榫即可將彈匣裝入或拆下。
 Press the magazine release lever to load or unload the magazine.

護木拆卸

Handguard parts



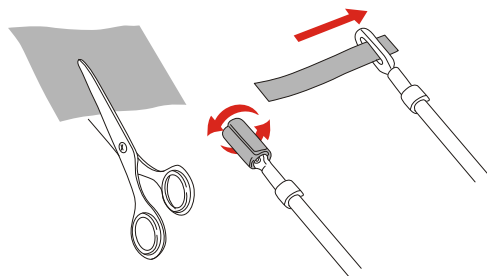
將護木環固定鈕扳起。
 Pull up the handguard fixed lever.



護木環整個往前拉，下護木即可卸下。
 Push forward the handguard ring and then the lower handguard can be removed.

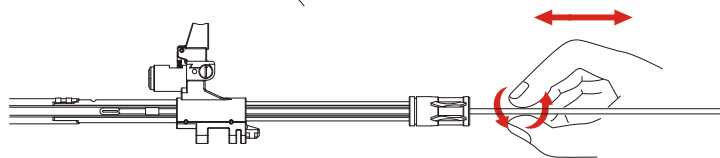
通槍條使用方法

How to use a cleaning rod



將棉布剪成長約
25~30mm寬約10mm
後再捲繞在通槍條上

Cut the cotton cloth length :
approx 25~30mm Width : approx:10mm
and wind the cut cotton cloth



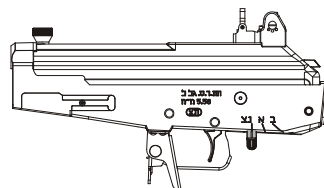
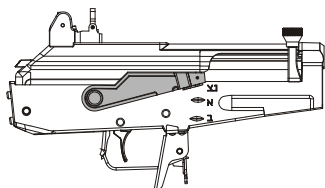
將通槍條插入並旋轉及前後拉動以清理內管

Use the cleaning rod to move the cotton forwards and backwards along the barrel to clean and remove any dirt build-up inside.

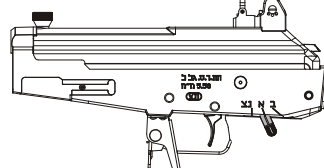
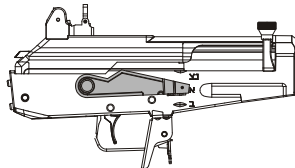
單連發選擇方式

Selector lever and safety setting

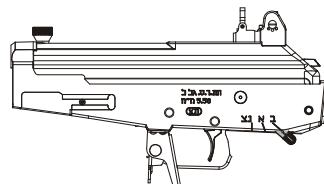
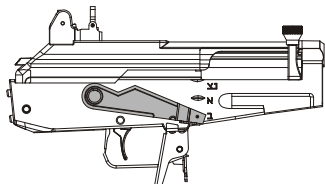
保險
Safety setting



連發
Fully automatic



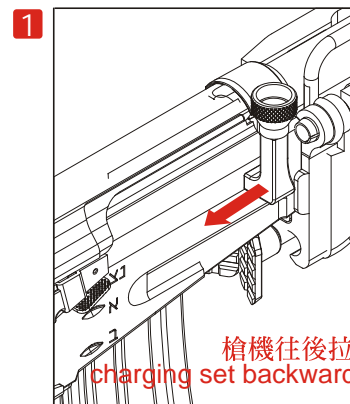
單發
Semi automatic



Hop Up彈道調整

Hop Up adjustment

8.

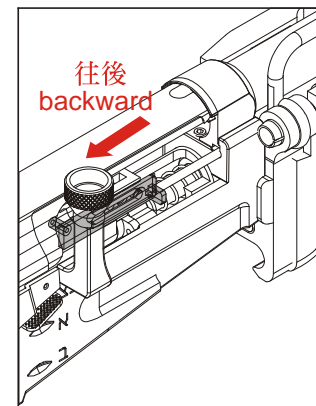


調整方法:

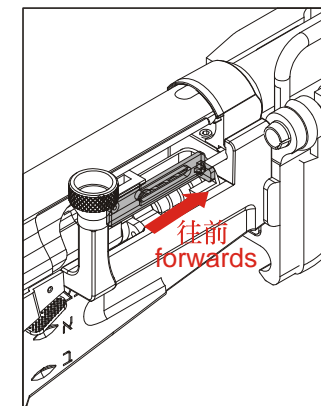
1. 先將槍機往後拉，即可調整Hop Up。
2. 將HOP UP往後調整，即可使BB彈往上飄。
3. 將HOP UP往前調整，即可使BB彈往下墜。

Adjustment procedure:

1. Pull the charging set backward and adjust the hop up
2. Backward Hop up, pellet will float up.
3. Forward Hop up, pellet will fall down.



2 上飄
Decrease Hop

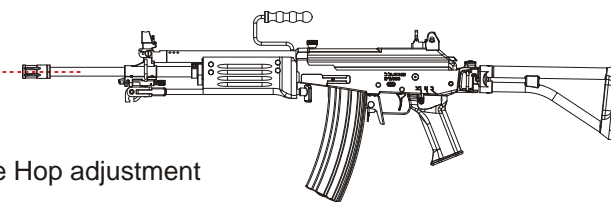


3 下墜
Increase Hop

✗ 上飄 Decrease Hop adjustment

正確
Best trajectory

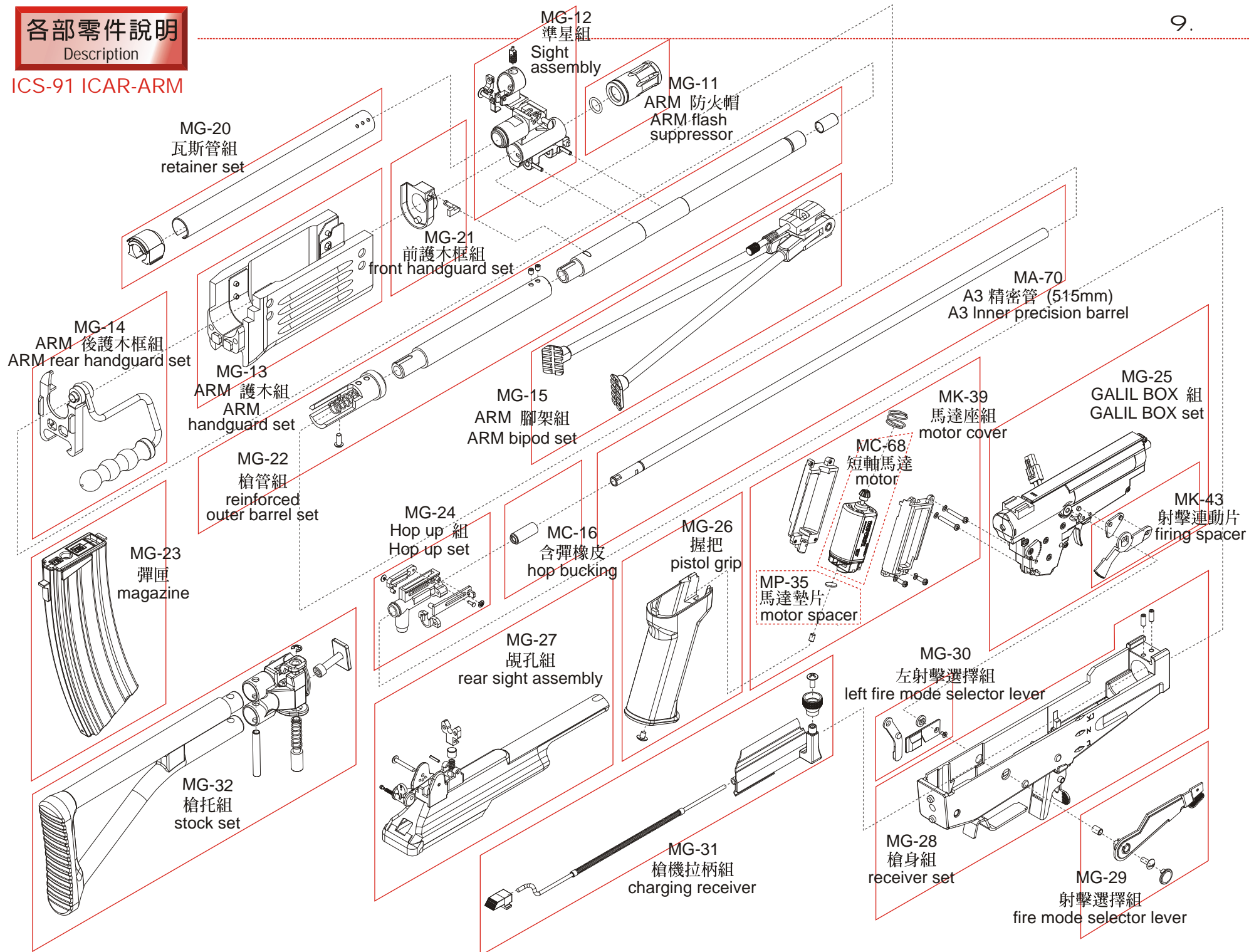
✗ 下墜 Increase Hop adjustment



各部零件說明

Description

ICS-91 ICAR-ARM



ICS-92 ICAR-AR

