

SG系列說明書

INSTRUCTIONS

Always read through this manual before operation
User restricted to 18 year of age or older



SG-551 SWAT.....ICS-51



SG-552 COMMANDO.....ICS-52



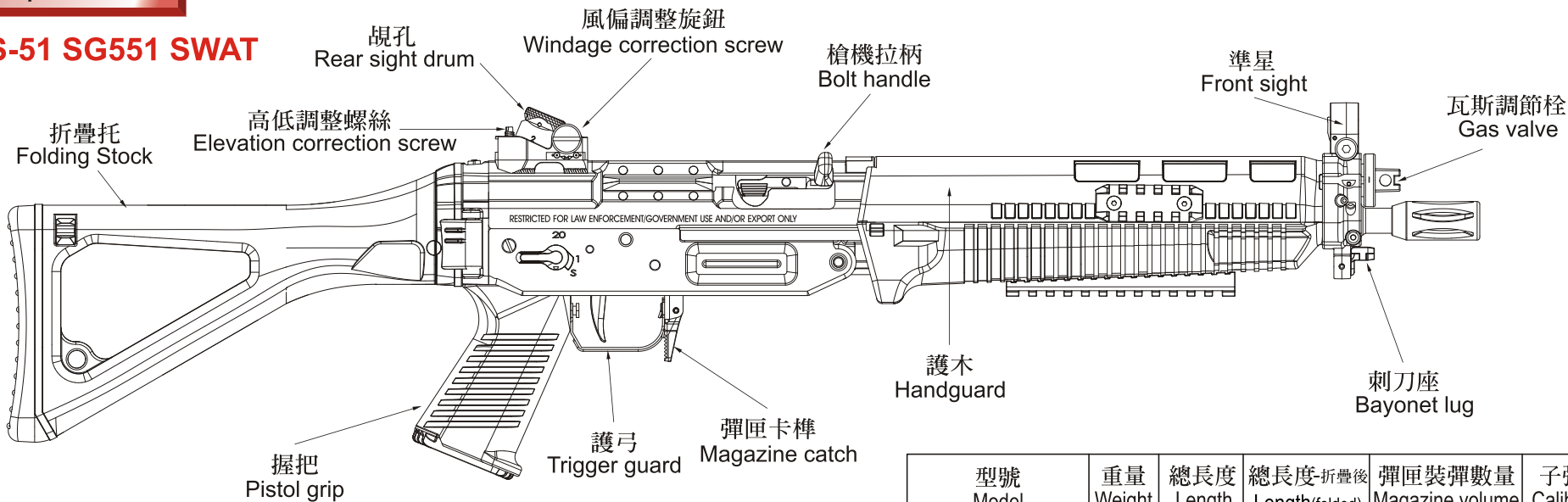
SG SERIES

<http://www.icsbb.com>
I CHIH SHIVAN ENTERPRISE CO., LTD.
TEL:886-4-25256461.25256462 FAX:886-4-25256484

Printed by ICS[®]

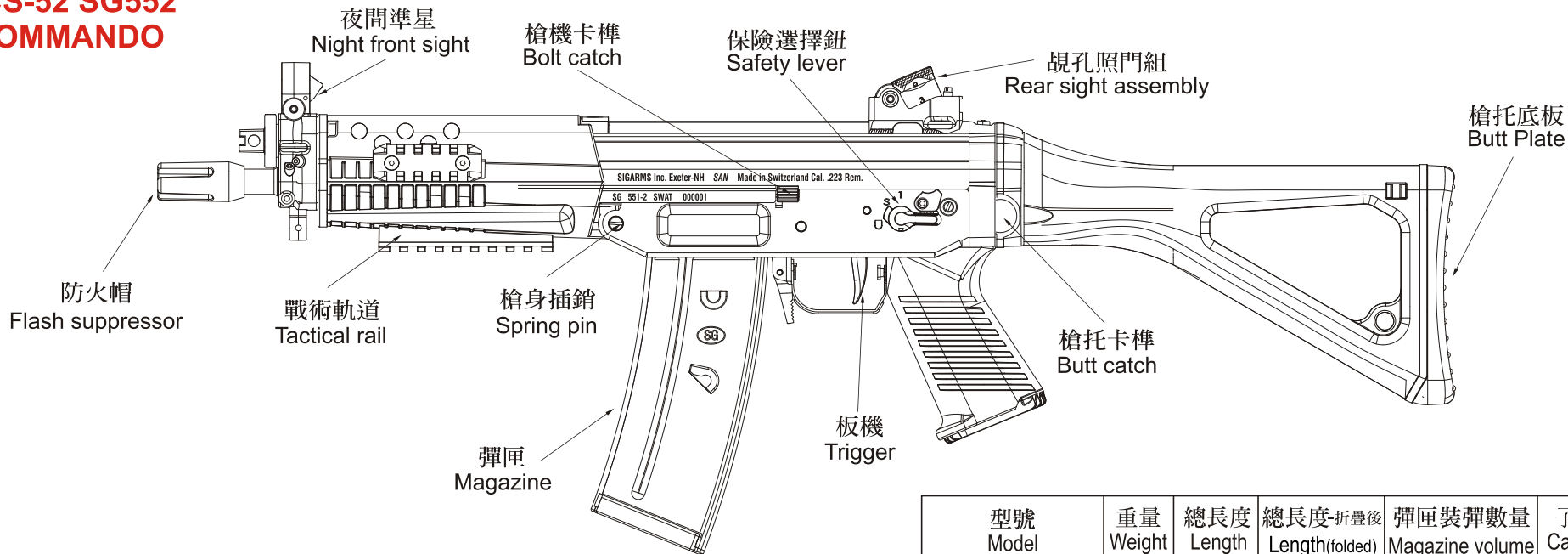
各部名稱
Component names

ICS-51 SG551 SWAT



型號 Model	重量 Weight	總長度 Length	總長度-折疊後 Length(folded)	彈匣裝彈數量 Magazine volume	子彈 Caliber
SG551 SWAT	2800 g	835 mm	578 mm	450發 450 Round	6mm BB

ICS-52 SG552
COMMANDO



型號 Model	重量 Weight	總長度 Length	總長度-折疊後 Length(folded)	彈匣裝彈數量 Magazine volume	子彈 Caliber
SG552 COMMANDO	2600 g	728 mm	470 mm	450發 450 Round	6mm BB

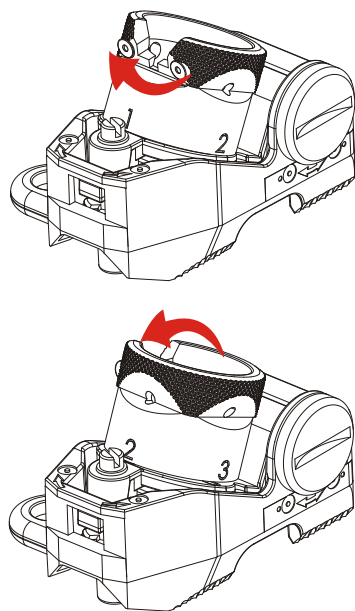
覘孔調整方式

Rear sight and adjustments

ICS-51 / SG-551 SWAT
ICS-52 / SG-552 COMMANDO

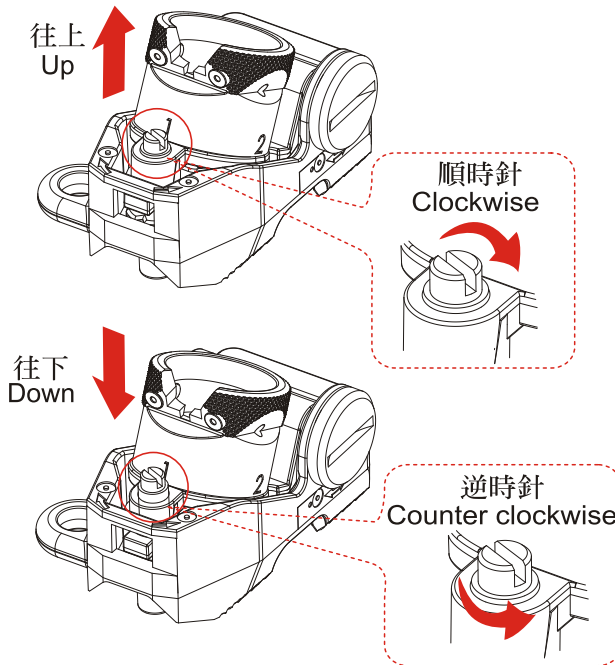
4.

A 精密射擊調整



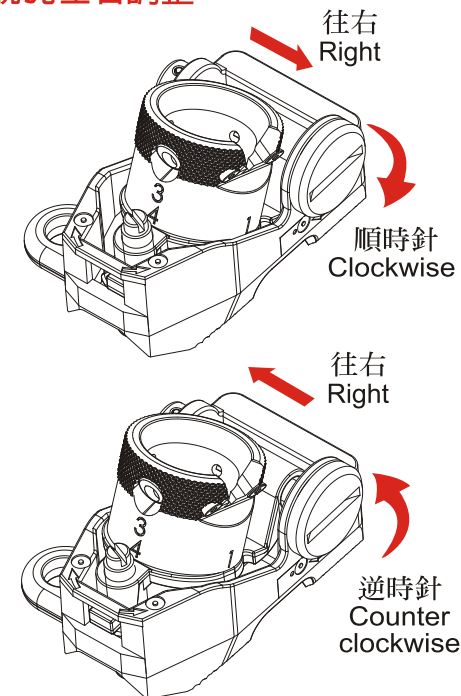
將覘孔依順時或逆時方向旋轉，
可變換遠距或近距射擊。
According to firing range to
adjust rear sight drum

B 覘孔高度調整



將調整鈕依順時針轉動可提高覘孔組
將調整鈕依逆時針轉動可降低覘孔組
Elevate rear sight by turning the screw CW
lower rear sight by turning the screw CCW

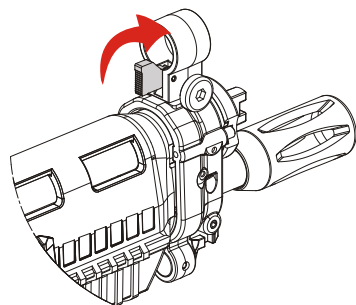
C 覘孔左右調整



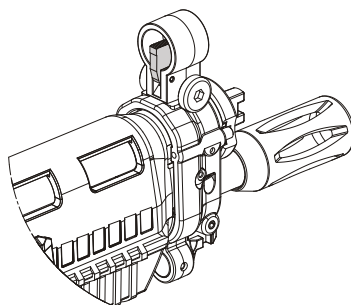
依旋鈕方向旋轉，即可將覘孔組左右調整。
To adjust for windage by turning windage
correction screw

準星調整

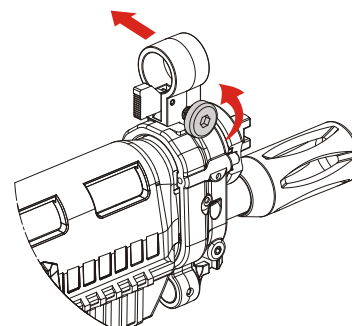
Rear sight and front sight adjustments



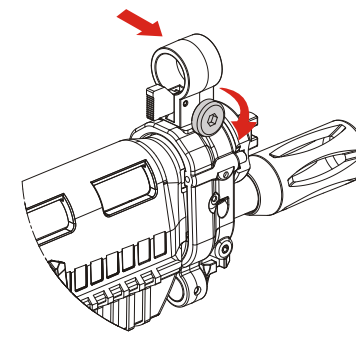
往上扳起即可切換
To switch by pulling up



切換夜間準星
Switch to night front sight



準星左右調整
Windage correction



準星左右調整
Windage correction

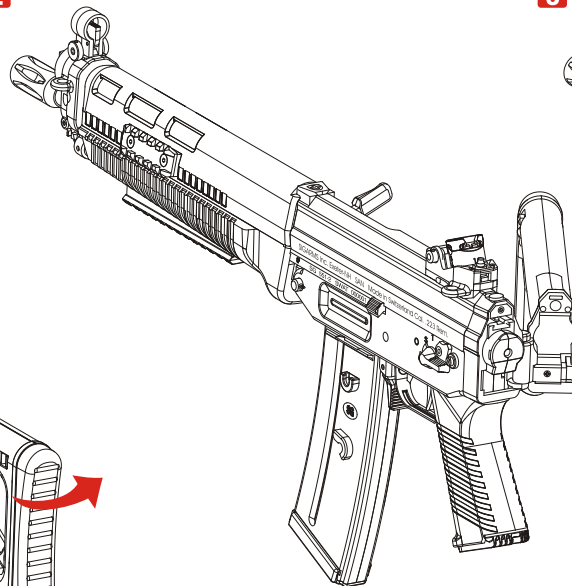
折疊托調整
Folding stock

1

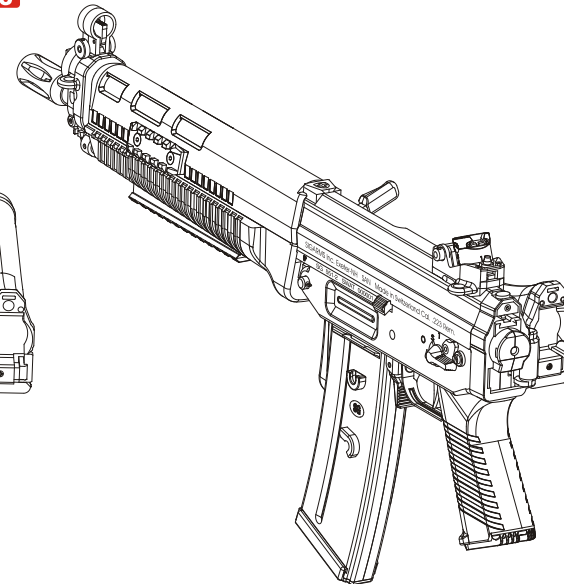


按壓槍托卡榫即可折疊
Push the butt catch and fold the butt

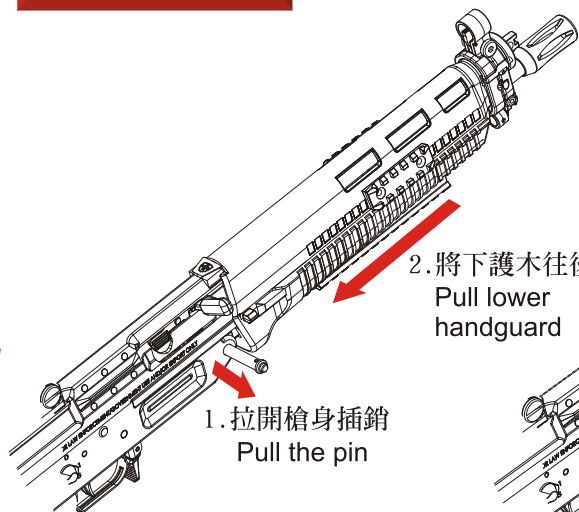
2



3



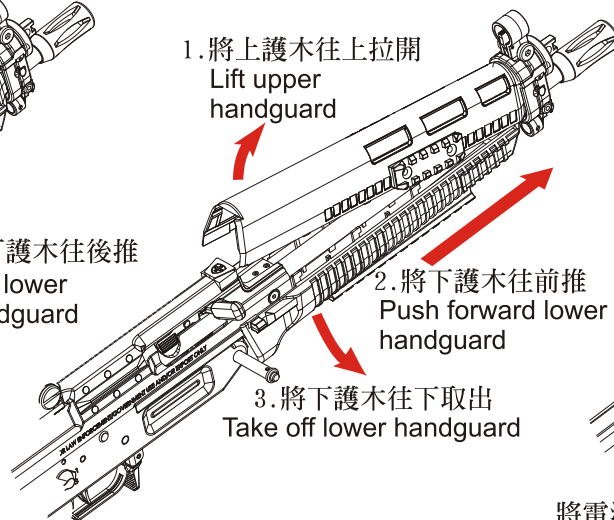
裝電池方法
Battery fitting method



1. 拉開槍身插銷
Pull the pin

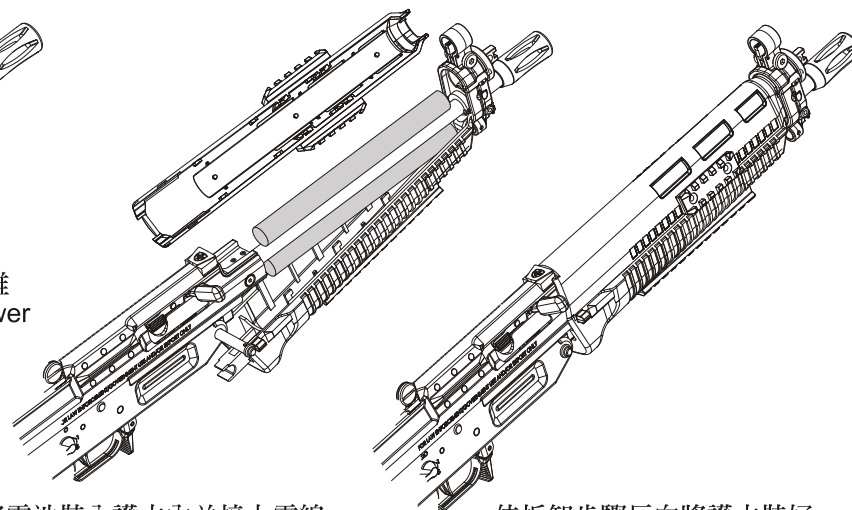
1. 將上護木往上拉開
Lift upper handguard

2. 將下護木往後推
Pull lower handguard



3. 將下護木往下取出
Take off lower handguard

2. 將下護木往前推
Push forward lower handguard



將電池裝入護木內並接上電線
Install battery and connect

依拆卸步驟反向將護木裝好
Assemble handguard by reversed way

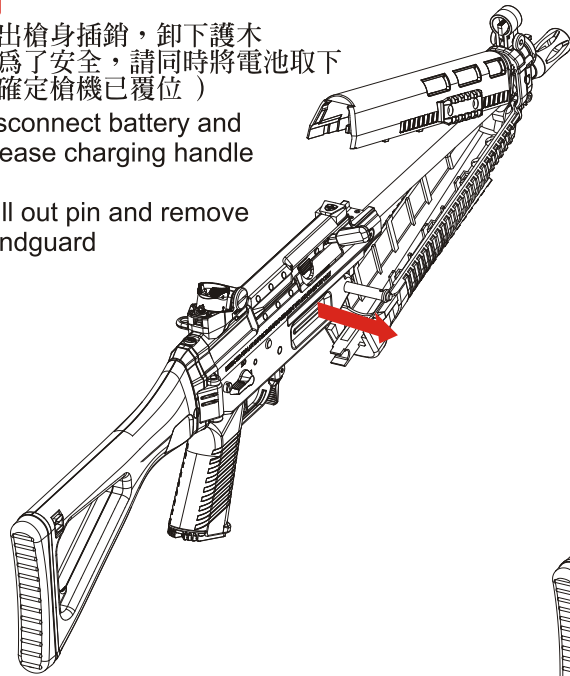
取出 BOX Release BOX

1

拉出槍身插銷，卸下護木
(為了安全，請同時將電池取下
並確定槍機已覆位)

Disconnect battery and
release charging handle

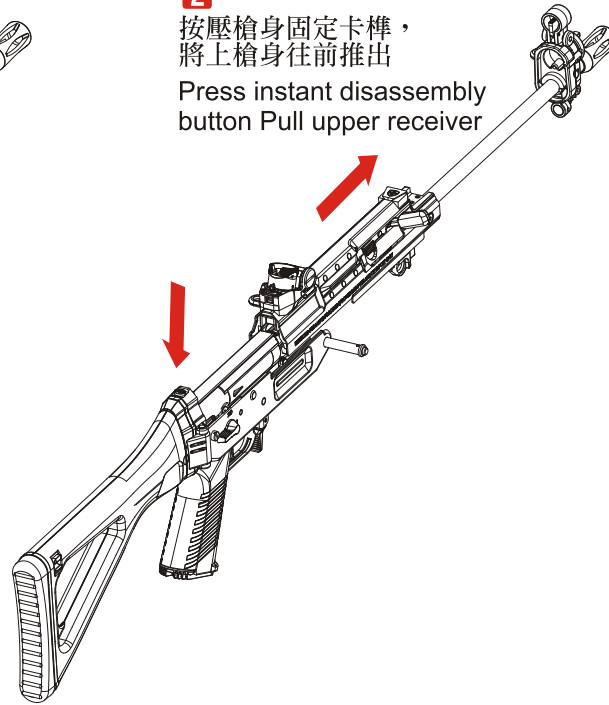
Pull out pin and remove
handguard



2

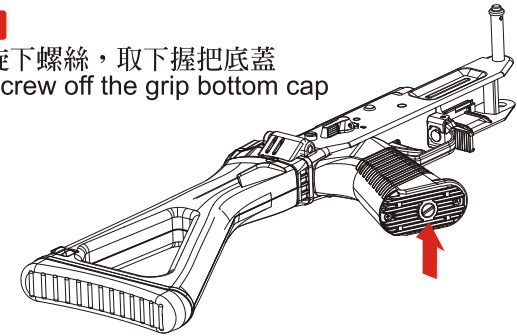
按壓槍身固定卡榫，
將上槍身往前推出

Press instant disassembly
button Pull upper receiver

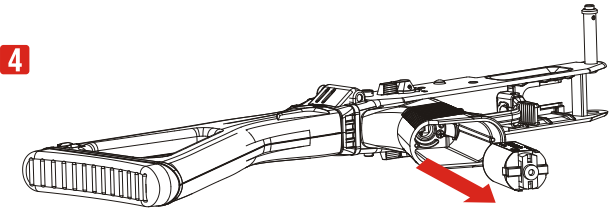


3

旋下螺絲，取下握把底蓋
Screw off the grip bottom cap

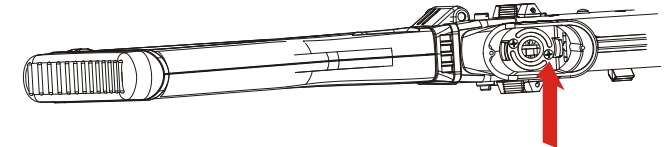


4



取下馬達
Take off motor

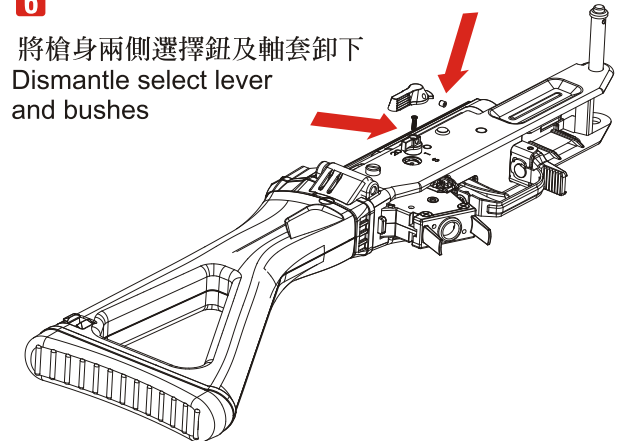
5



旋下握把螺絲並卸下握把
Screw the grip off

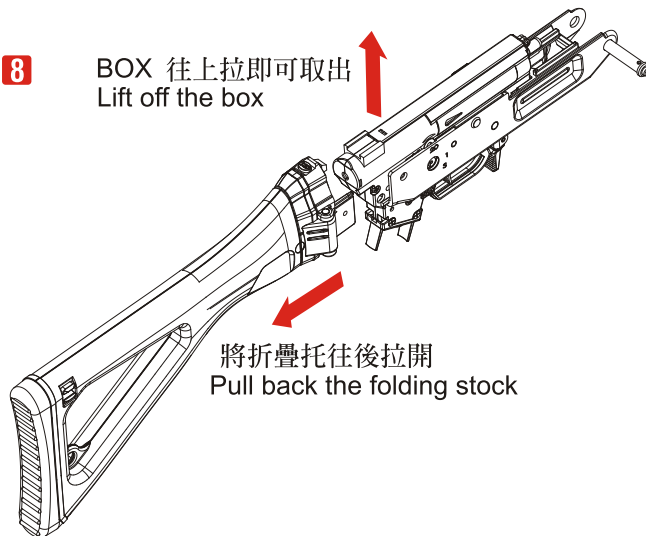
6

將槍身兩側選擇鈕及軸套卸下
Dismantle select lever
and bushes



8

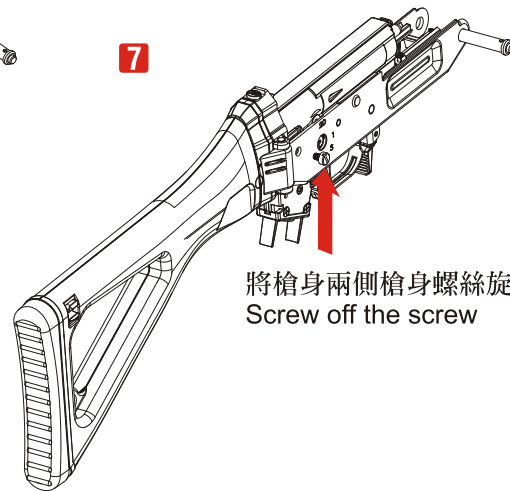
BOX 往上拉即可取出
Lift off the box



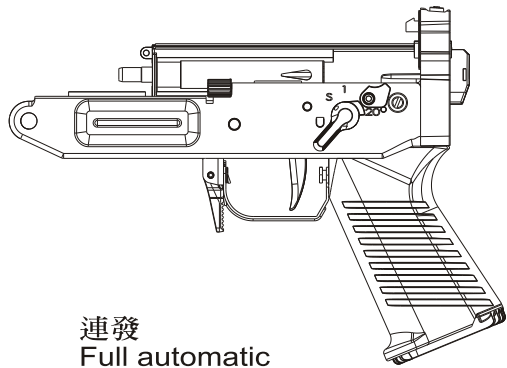
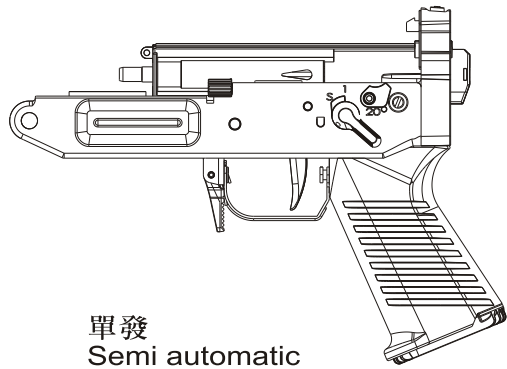
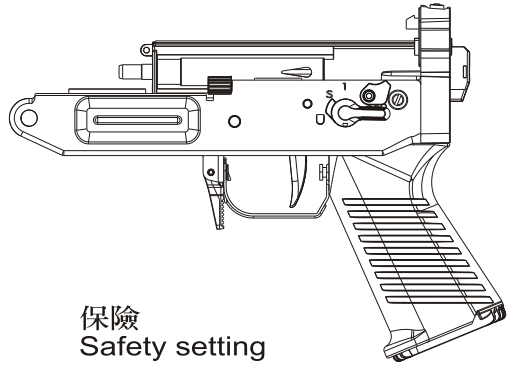
將折疊托往後拉開
Pull back the folding stock

7

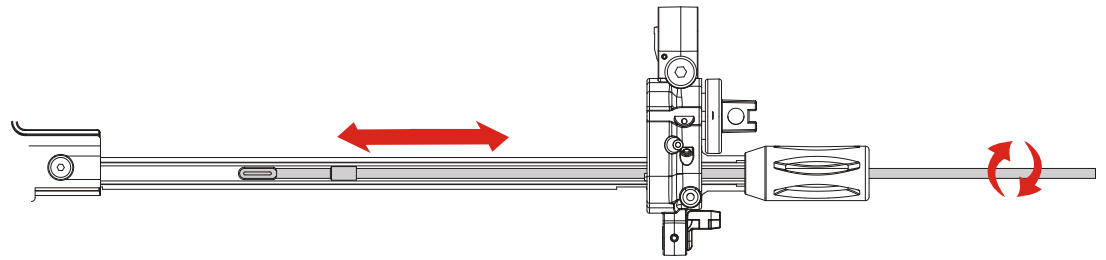
將槍身兩側槍身螺絲旋下
Screw off the screw



單連發選擇方式 Selector lever and safety setting



通槍條使用方法 How to use a cleaning rod

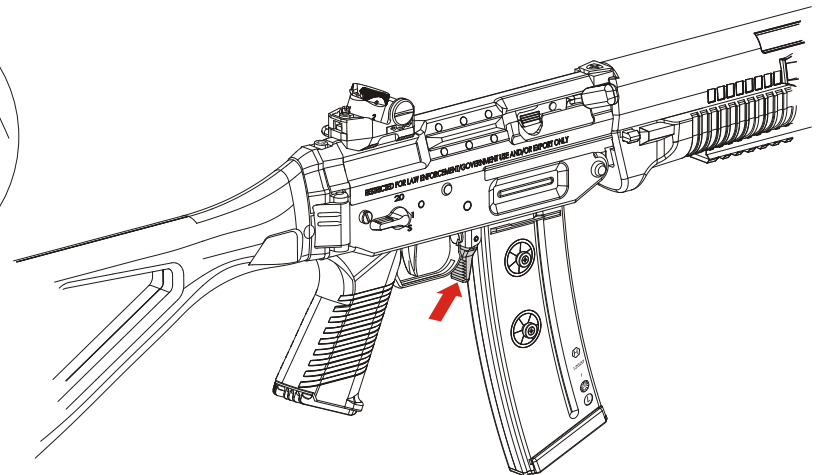
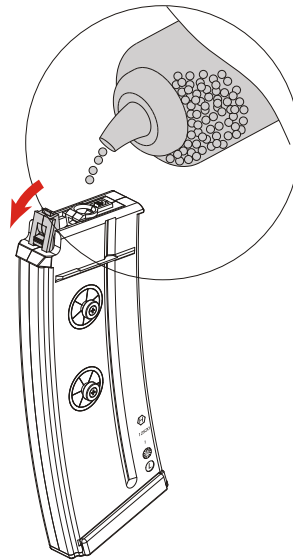


將通槍條插入並旋轉及前後拉動以清理內管。
Insert cleaning rod, turn left and right, move back and forward.

彈匣使用方式 Inserting the magazine

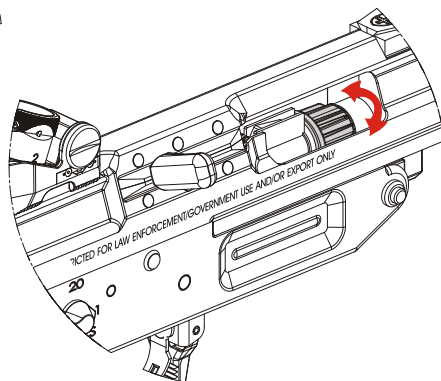
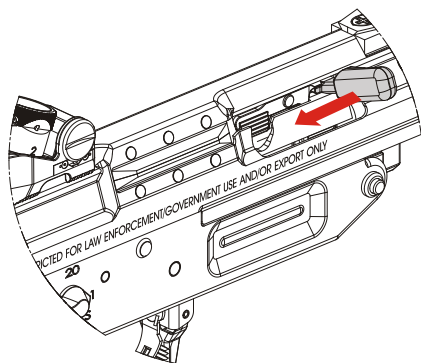
彈匣上蓋依箭頭方向推開
再倒入 BB 彈
load BBs

往前按壓彈匣卡榫即可裝上或卸下彈匣
Press the magazine catch to insert or remove magazine.

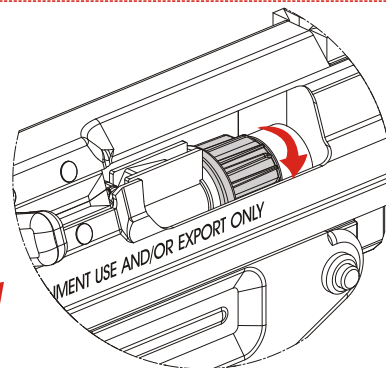


Hop Up調整
Hop Up adjustment

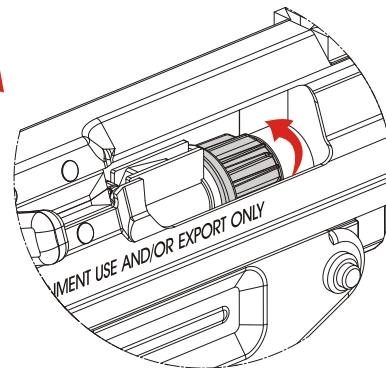
拉柄往後拉即可將槍機固定在後
Pull changing handle to the end and fix it



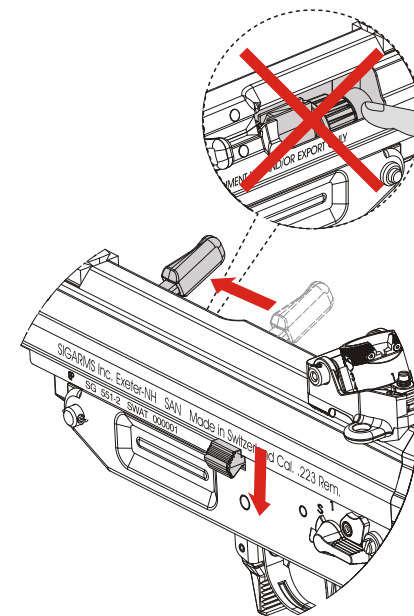
調整 Adjust Hop up



✗ 下墜 Increase Hop adjustment



✗ 上飄 Decrease Hop adjustment



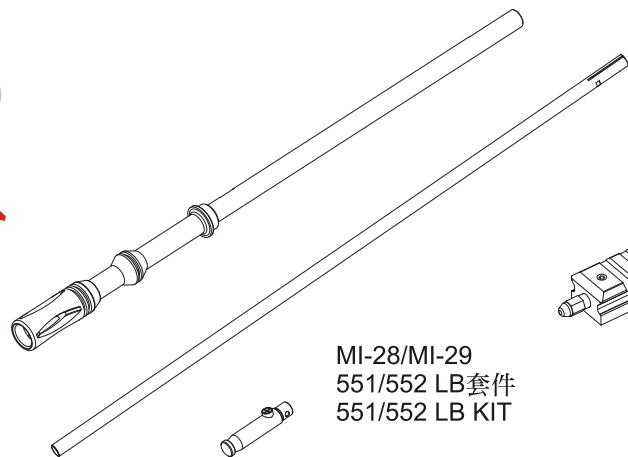
下壓槍機卡榫，槍機即可覆位
(注意右側槍身拋殼口是否有異物如手指，避免夾傷)

Push the bolt catch up to release charging handle.

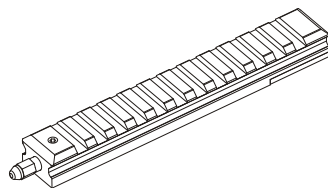
Don't put anything or finger in chamber.

可選購套件配備

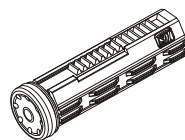
There are additional accessories for your option.



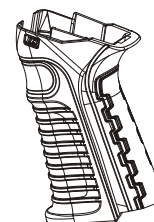
MI-28/MI-29
551/552 LB套件
551/552 LB KIT



MI-33
SIG戰術軌道
SIG M1913 21"
Tactical rail



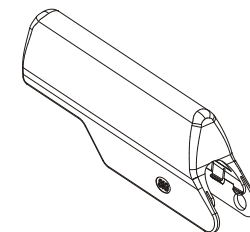
MC-169
升級強化塑鋼活塞組
Original factory
piston set



MI-35
SIG專屬戰術握把
SIG Fore grip



MI-36
550防火帽
550 Flash suppressor

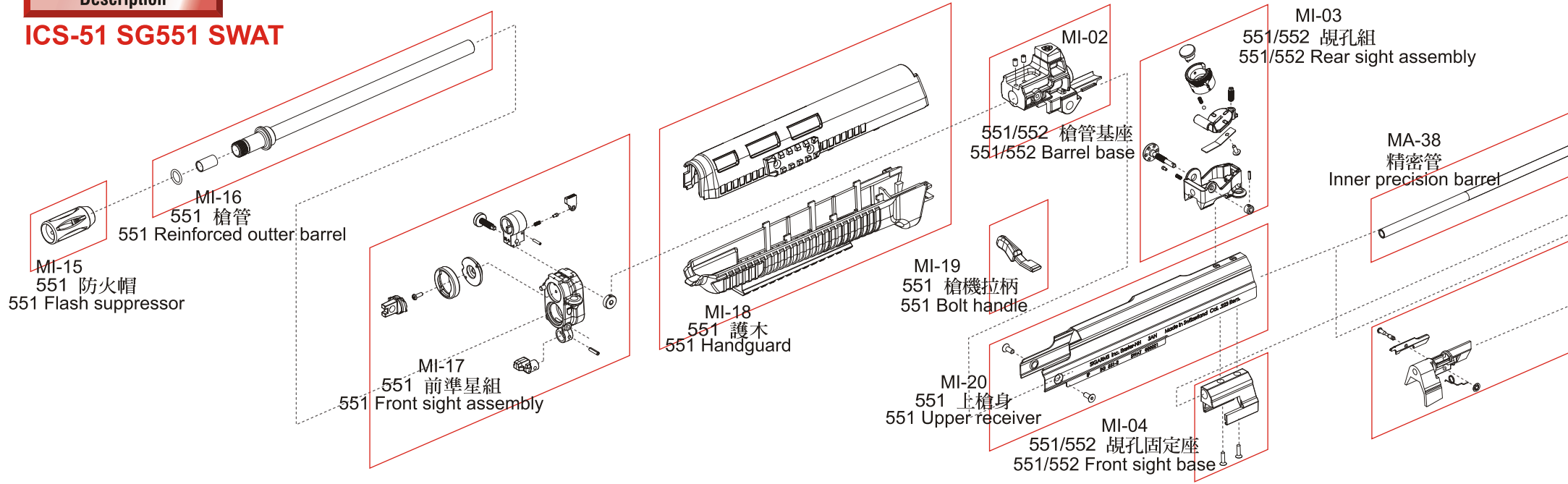


MI-34
SIG貼腮板
Cheek Rest

各部零件說明

Description

ICS-51 SG551 SWAT



ICS-52 SG552 COMMANDO

