

INOKATSU™
COLT

UNIVERSO SNIPER
AIRSOFT

Inokatsu M4 MTW SOPOD (2011 SUPER VERSION)

INSTRUCTION MANUAL

READ THE SAFETY RULES BEFORE HANDLING THE M4 RIFLE.

WARNING: The assembly instruction is for reference ONLY. We do not encourage any users to disassemble this product. It will be at your own risk if the product is damaged as a result.

18+

You must be 18 years or older to purchase this airsoft gun.

INTRODUCTION



The M4 carbine is a family of firearms tracing its lineage back to earlier carbine versions of the M16, all based on the original AR-15 designed by Eugene Stoner and made by ArmaLite. It is a shorter and lighter version of the M16A2 assault rifle, with 80% parts commonality.

The 2011 Version of the INOKATSU M4A1 SOPMOD is built and assembled with exacting precision. The entire gun is solid with no wobbles or shakes making the Inokatsu M4A1 feeling just like the real steel. The Inokatsu M4A1 features a weight adjustable bolt carrier for full control of the shooting experience. At full bolt weight, the Inokatsu M4A1 recoil is similar to a real steel 9mm round with each trigger pull (kick is just as strong as previous version Inokatsu M4). On the semi-automatic firing mode, the INOKATSU M4 SOPMOD is able to completely fire off all 50rds from its magazine. But if you are a skirmisher and want a faster rate of fire rather than recoil, simply remove the weight from the bolt to easily finish 50 rounds in full auto. To maintain a perfect balance between projectile performance hard recoil, Inokatsu had to dial down the power from the originally planned 460fps to approximately 400fps. You may install a precision tight-bore barrel to increase FPS.

M4 DATA



Type	Carbine
Place of origin	United States
Service history	
In service	1997–present
Wars	War in Afghanistan (2001–present), War in Iraq (2003–2010), Colombian Armed Conflict

Production history	
Manufacturer	Colt Defense
Produced	1994–present
Variants	M4A1, CQBR (Mk. 18 Mod 0)

Specifications	
Weight	6.36 lb (2.88 kg) empty 6.9 lb (3.1 kg) with 30 rounds
Length	33 in (840 mm) (stock extended) 29.75 in (756 mm) (stock retracted)
Barrel length	14.5 in (370 mm)
Cartridge	5.56x45mm NATO
Action	Gas-operated, rotating bolt
Rate of fire	700-950 round/min cyclic
Muzzle velocity	2,900 ft/s or 884 m/s
Effective range	500 m for a point target and 600 m for an area target
Feed system	30 round box magazine or other STANAG Magazines.

TECHNICAL DATA FOR INOKATSU M4 MTW SOPMOD 2011

Product name:	Inokatsu M4 MTW SOPMOD 2011 Super Version
Hop-up:	Adjustable
Magazine:	50 rds
Power source:	Top/ Green gas
Full Weight (Lb):	2,630g / 5.8lb
<ul style="list-style-type: none"> • 6 Position LE stock • Stamped receiver just like real M4 • Realistic open-bolt design • Real size RIS rails and covers • Steel barrel and flash hider • CNC precision full metal body 	

READ THE SAFETY RULES BEFORE HANDLING THE M4 RIFLE



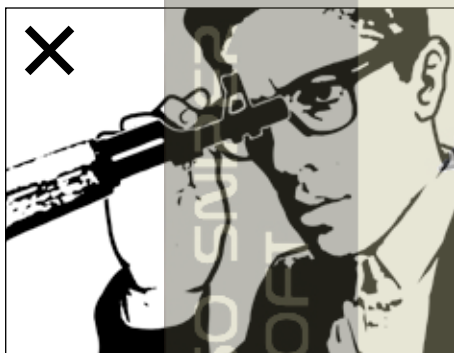
⚠ When shooting the air gun, you and all participants must wear goggles or other eye protective gear at all times.



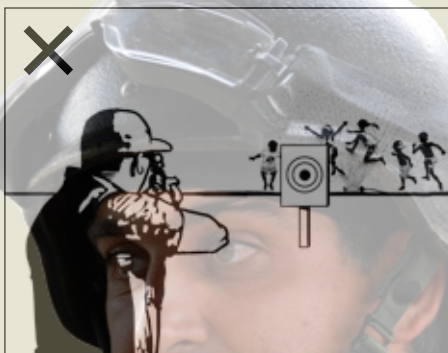
⚠ Never aim at shoot a person or animal as the target, Always attach the protective plug to the muzzle, until you are ready to shoot a target.



⚠ Avoid pulling the trigger carelessly.



⚠ Never look into the gun muzzle.



⚠ Never shoot the air gun at places where people and cars are present behind the target.



⚠ Keep out of reach of children.

⚠ WARNING

The product is suitable only for persons 18 year old or older. We will not be responsible for any accident or malfunction caused by improper handling, modification, alteration or disassembling of the Inokatsu air/gas/electric gun. You will enjoy the shooting experience according to the correct operation.

1. When shooting the air gun, you and all participants must wear goggles or other eye protective gear.
2. Never aim at shoot a person or animal as the target, Always attach a protective plug to the muzzle, until you are ready to shoot a target.
3. Avoid pulling the trigger carelessly.
4. Never look into the gun muzzle.
5. Never shoot the air gun at places where people and cars are present.
6. Store the air gun out of reach of children.
7. Never disassemble or modify the gun.
8. Always direct the muzzle towards a safe direction.
9. Always put the gun in a case or bag when you are transporting it.
10. BB bullets may be shot out even if the magazine is removed.
11. Always set the selector lever to the Safe position when not in use.
12. Do not place your finger inside the trigger unless you are ready to fire the gun.
13. Never use the gun in public in a threatening manner that may make others think it is a real gun. This is unlawful and dangerous.
14. If using the gun in the USA or Italy, do not display this gun in public without an orange barrel tip.



⚠ Never disassemble or modify the gun.

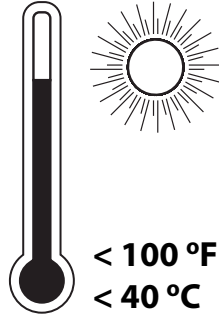
INSTRUCTION

This guide is intended to assist airsoft gun owners with maintaining gas airsoft rifle replicas.

Optionally powered by Green Gas or Propane.



Do not store your pistol or Green Gas in areas where the temperature can exceed 100 °F (40 °C).

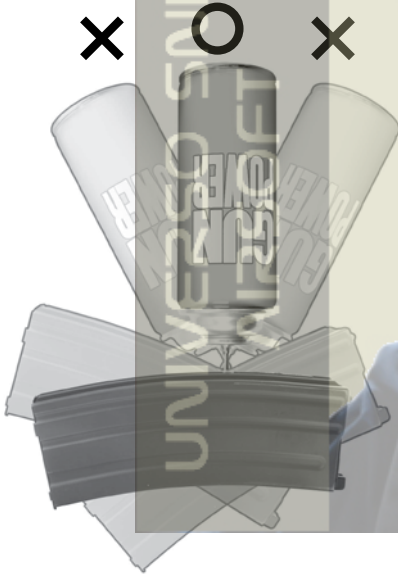


< 100 °F
< 40 °C

Gasses are extremely flammable - always keep your Airsoft pistol and Green Gas away from flames, sparks and heat sources.



You must hold the gas or propane canister upside down and press downward for 1 to 5 seconds to fill magazines.



To load the GBB magazine, you must use the BB loader.



Always keep the fire selector on "Safe" position unless you are ready to fire.



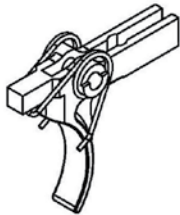
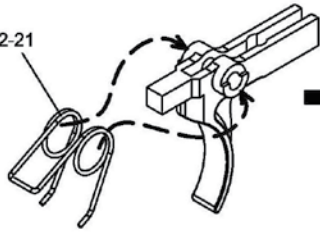
When the magazine is emptied, the bolt will lock open. In order to fire, you need to press the bolt catch to release the bolt.



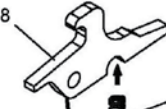
Inokatsu M4 MTW SOPMOD (2011 Super Version) - Instructional Manual

1

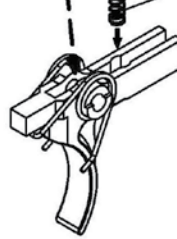
12-21



12-18



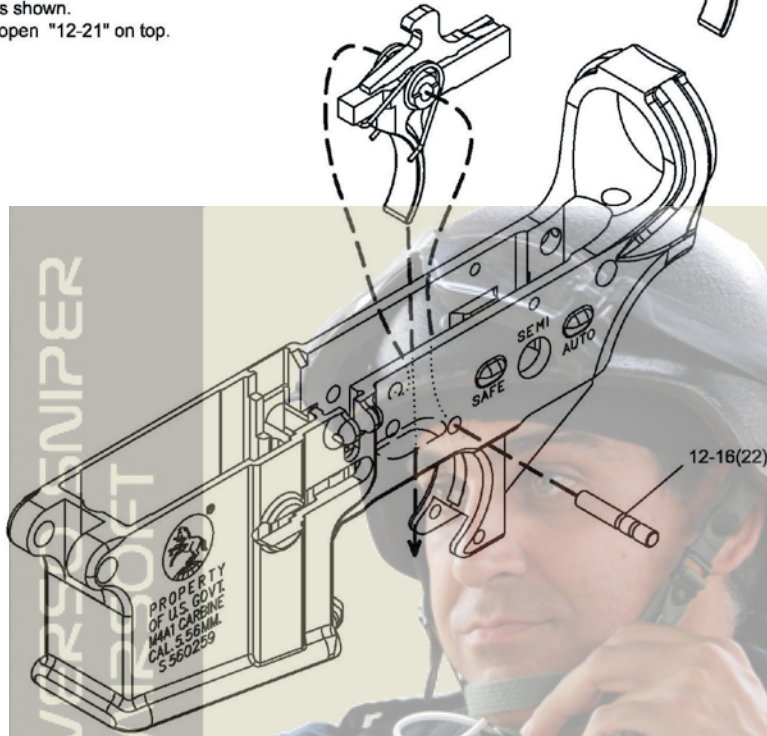
12-19



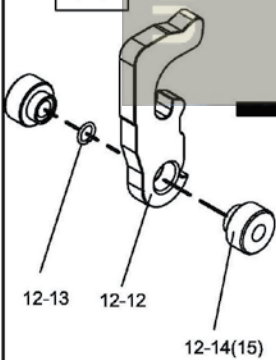
MMM

12-9
(Ø2.6x8)

Set as shown.
after open "12-21" on top.



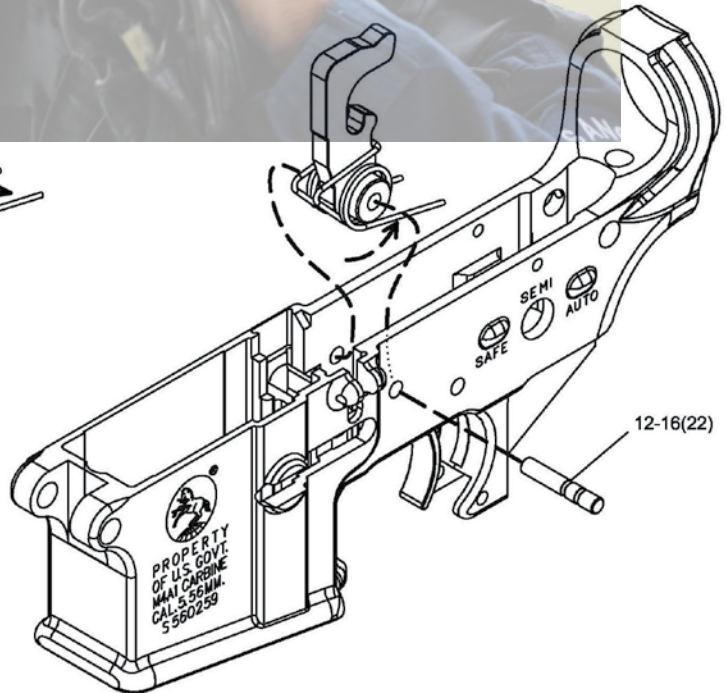
2



12-17



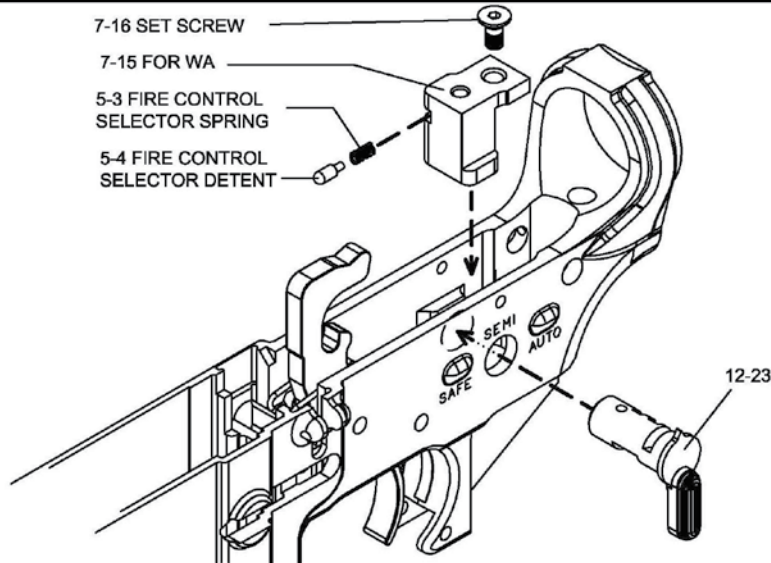
Assemble as shown.



Inokatsu M4 MTW SOPMOD (2011 Super Version) - Instructional Manual

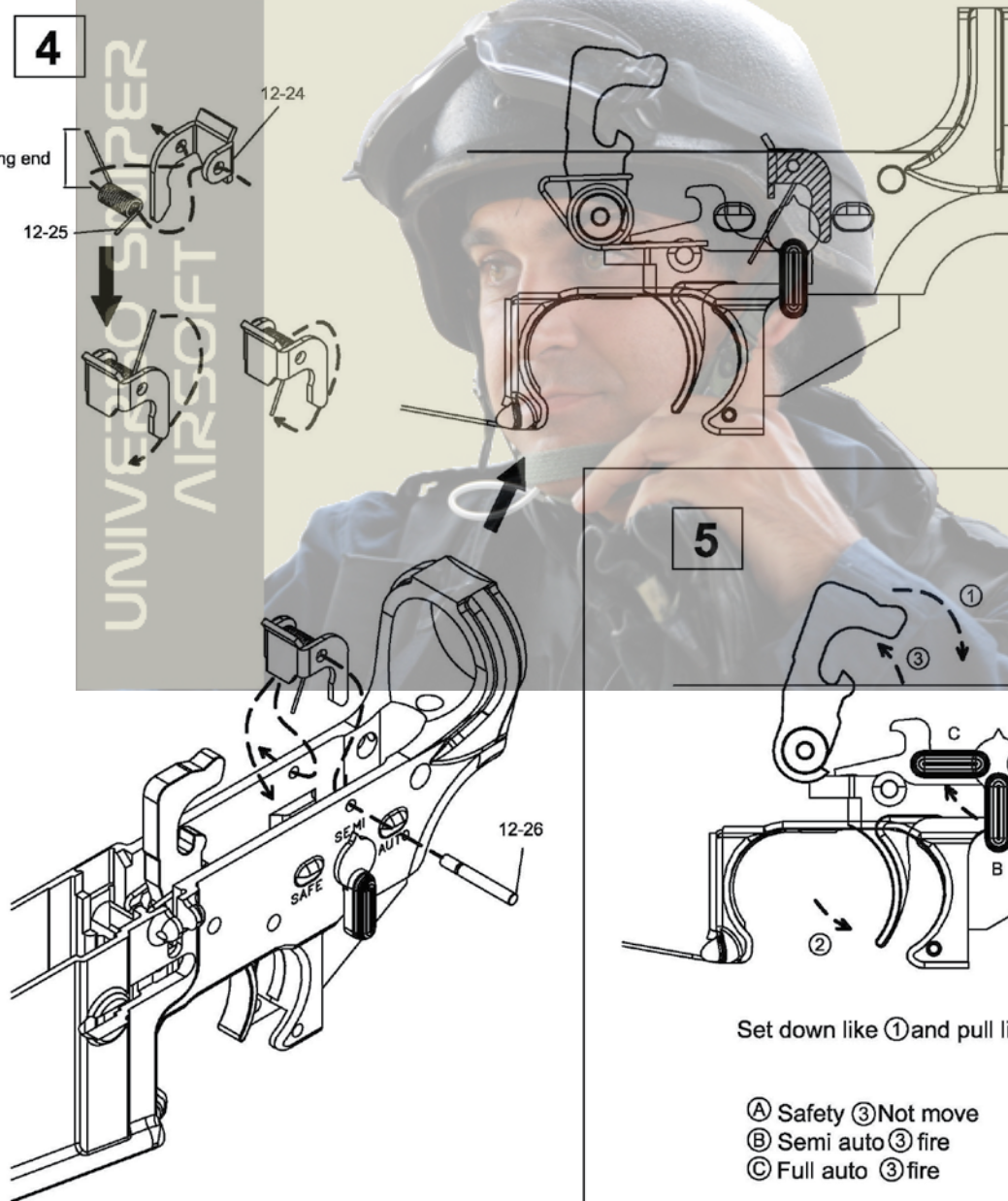
3

- 7-16 SET SCREW
- 7-15 FOR WA
- 5-3 FIRE CONTROL SELECTOR SPRING
- 5-4 FIRE CONTROL SELECTOR DETENT

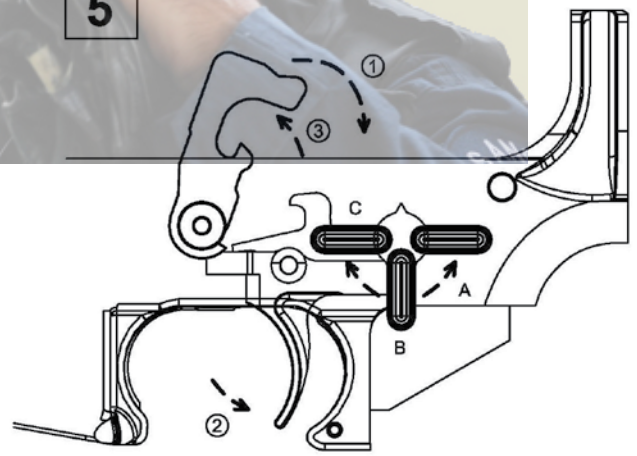


4

- Long end
- 12-25
- 12-24



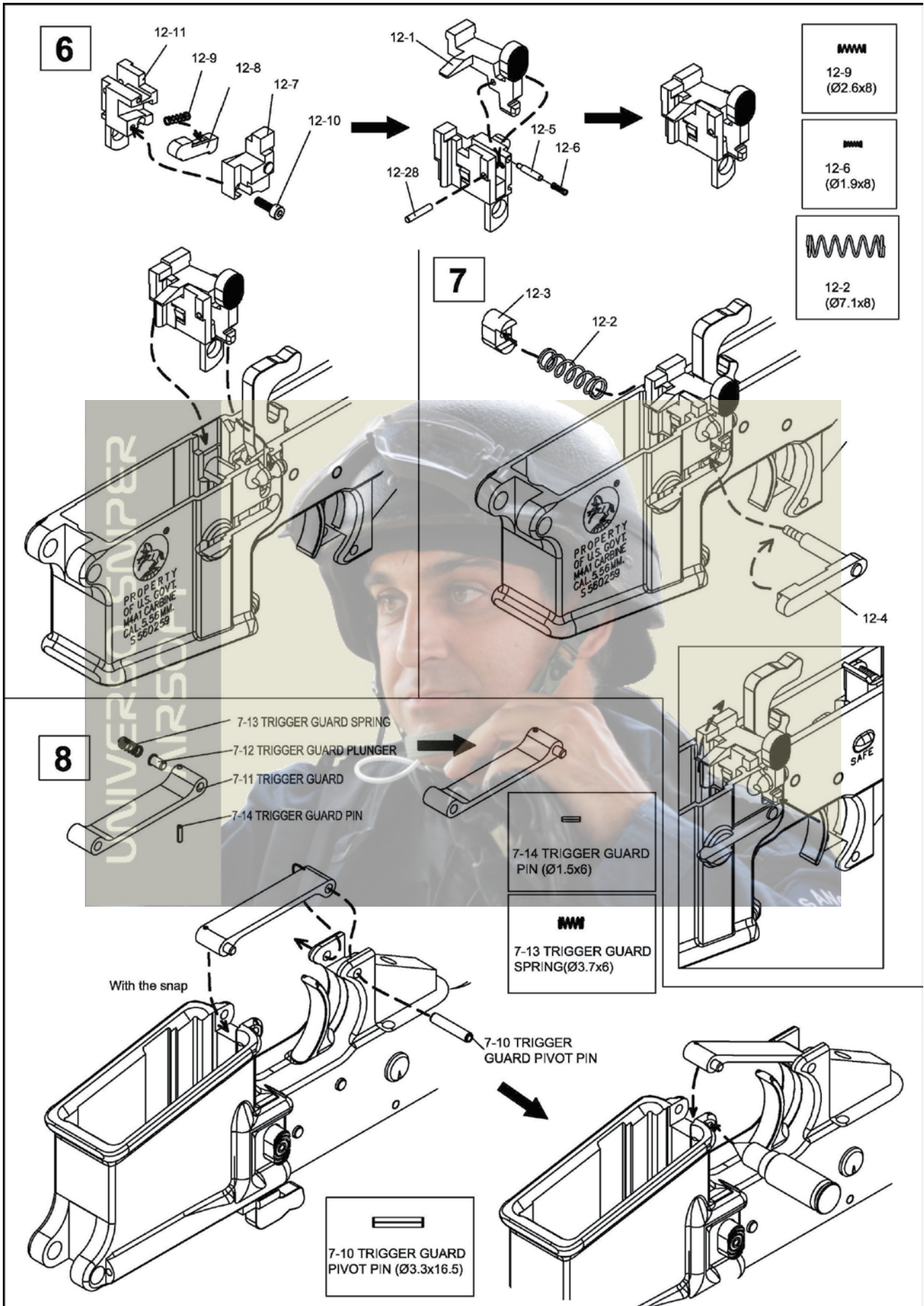
5



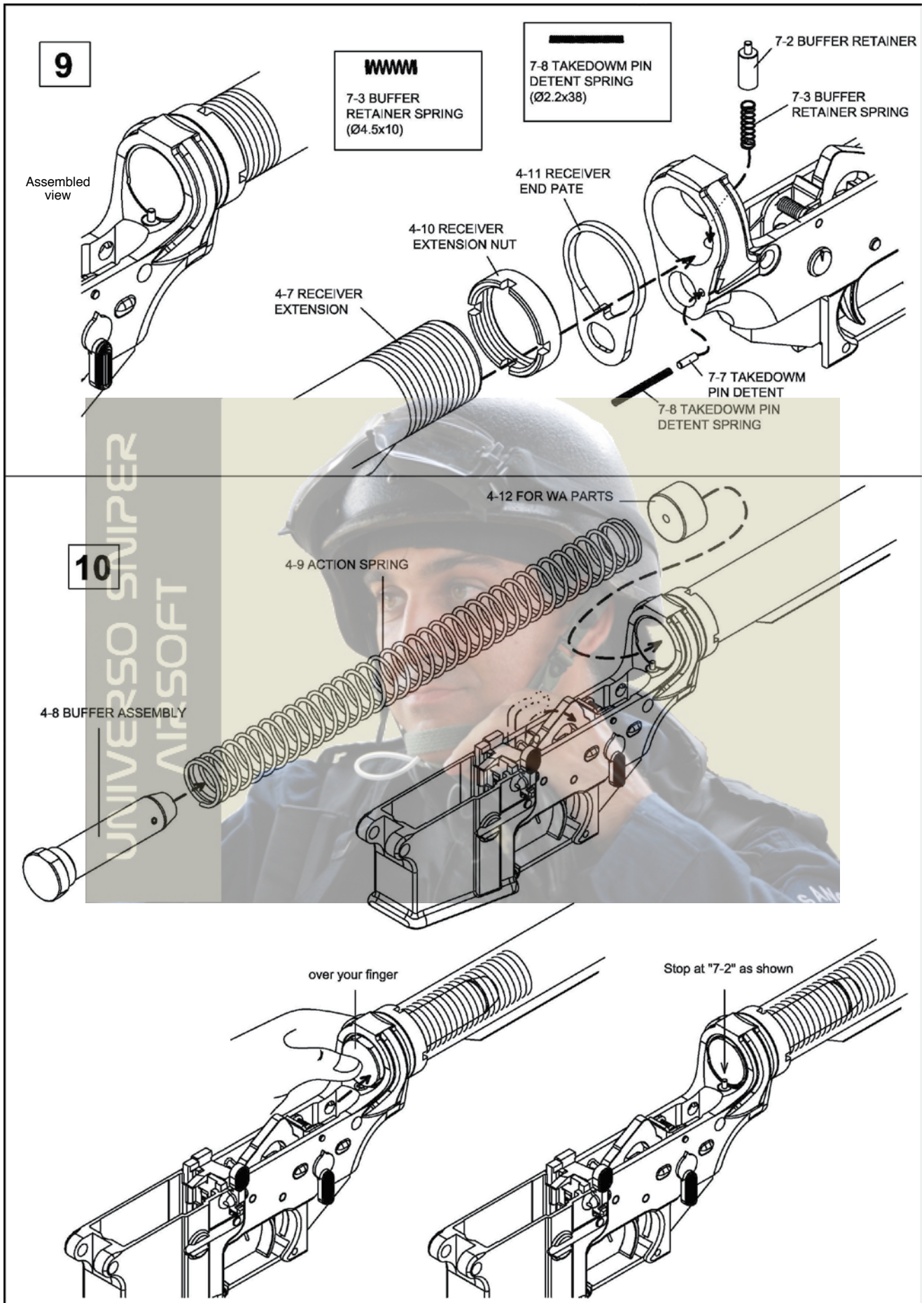
Set down like ① and pull like ②

- Ⓐ Safety ③ Not move
- Ⓑ Semi auto ③ fire
- Ⓒ Full auto ③ fire

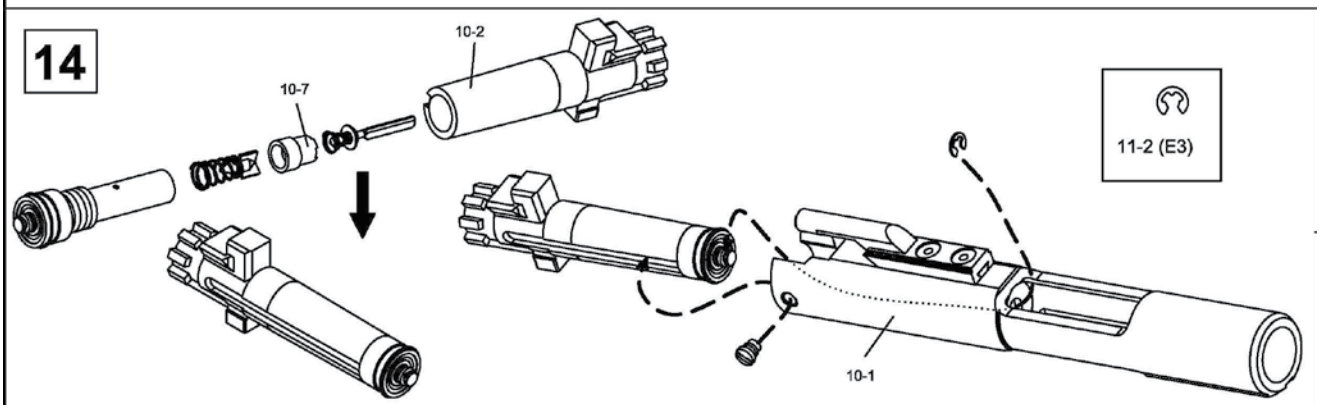
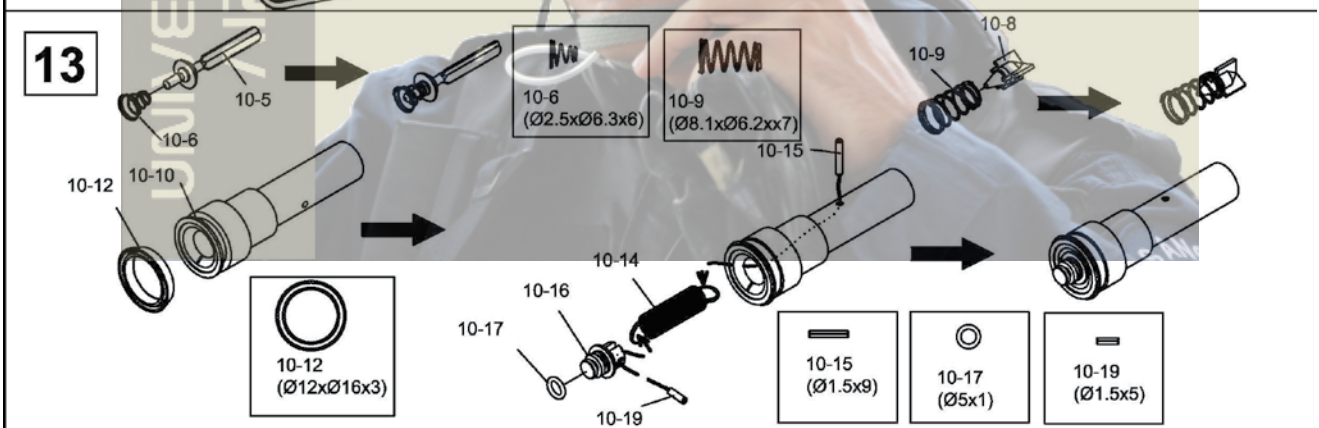
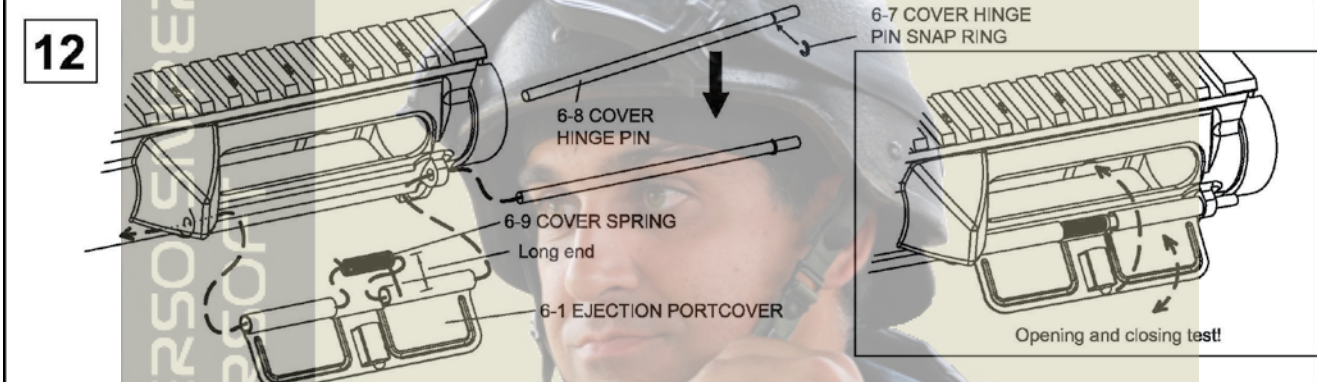
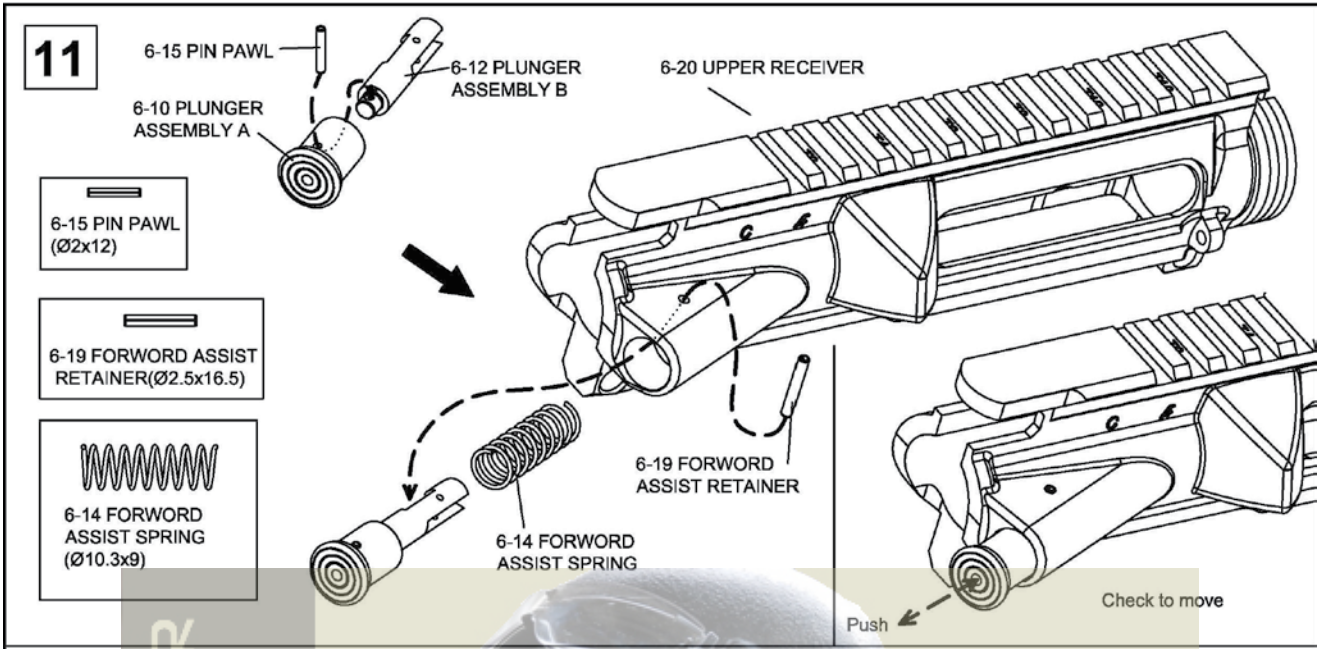
Inokatsu M4 MTW SOPMOD (2011 Super Version) - Instructional Manual



Inokatsu M4 MTW SOPMOD (2011 Super Version) - Instructional Manual



Inokatsu M4 MTW SOPMOD (2011 Super Version) - Instructional Manual



Inokatsu M4 MTW SOPMOD (2011 Super Version) - Instructional Manual

15

8-2 GHARGING HANDLE LATCH

8-4 GHARGING HANDLE SPRING

8-3 GHARGING HANDLE PIN

8-1 GHARGING HANDLE

8-3 GHARGING HANDLE PIN (Ø1.5x6)

8-4 GHARGING HANDLE SPRING (Ø4.3x14.5)

Check to move

16

Put in this part.

Put along groove in this part.

Catch the claw

Push in

17

11-4

11-5

11-3

11-2

11-1

11-8

11-2 (Ø7x1.5)

11-8 (M3x4)

11-6 (M3x6)

11-7 (M3x9)

2-BARREL EXTENSION

18

1-FRONT SIGHT POST

1-FRONT SIGHT DETENT

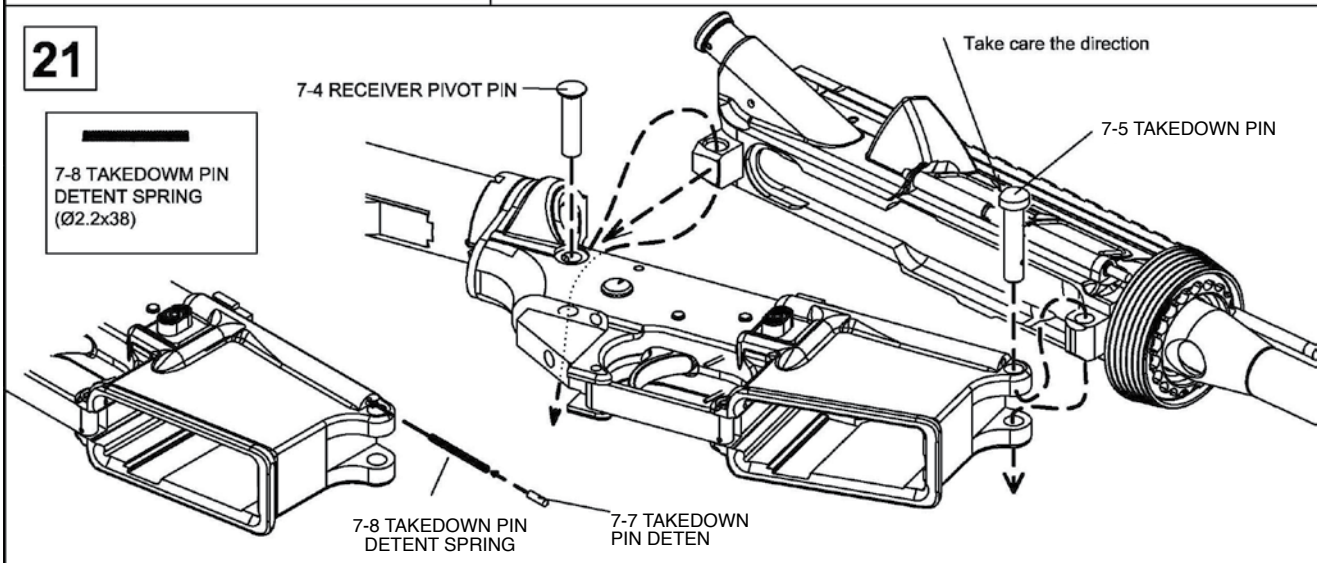
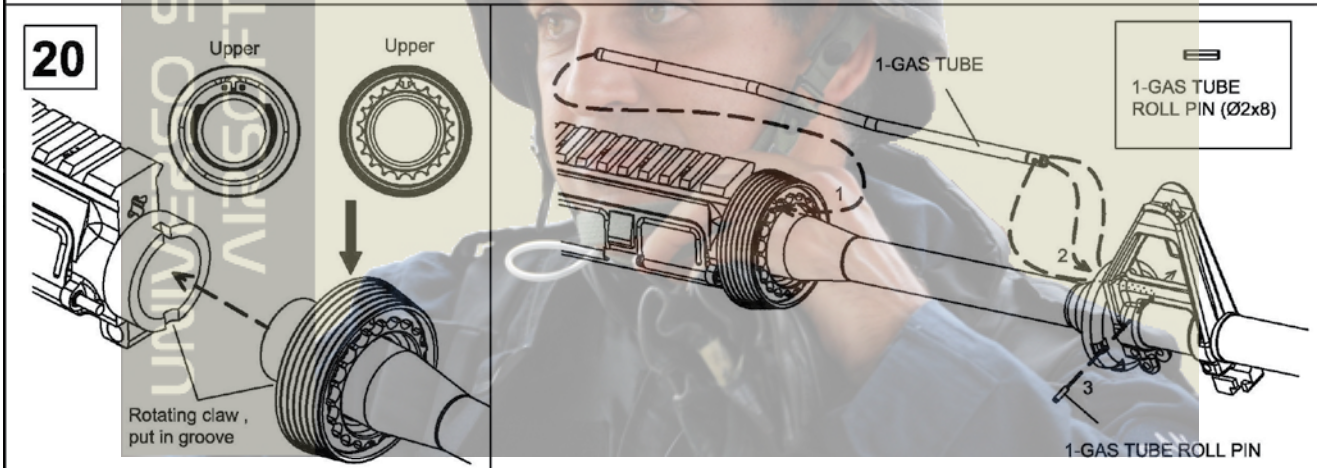
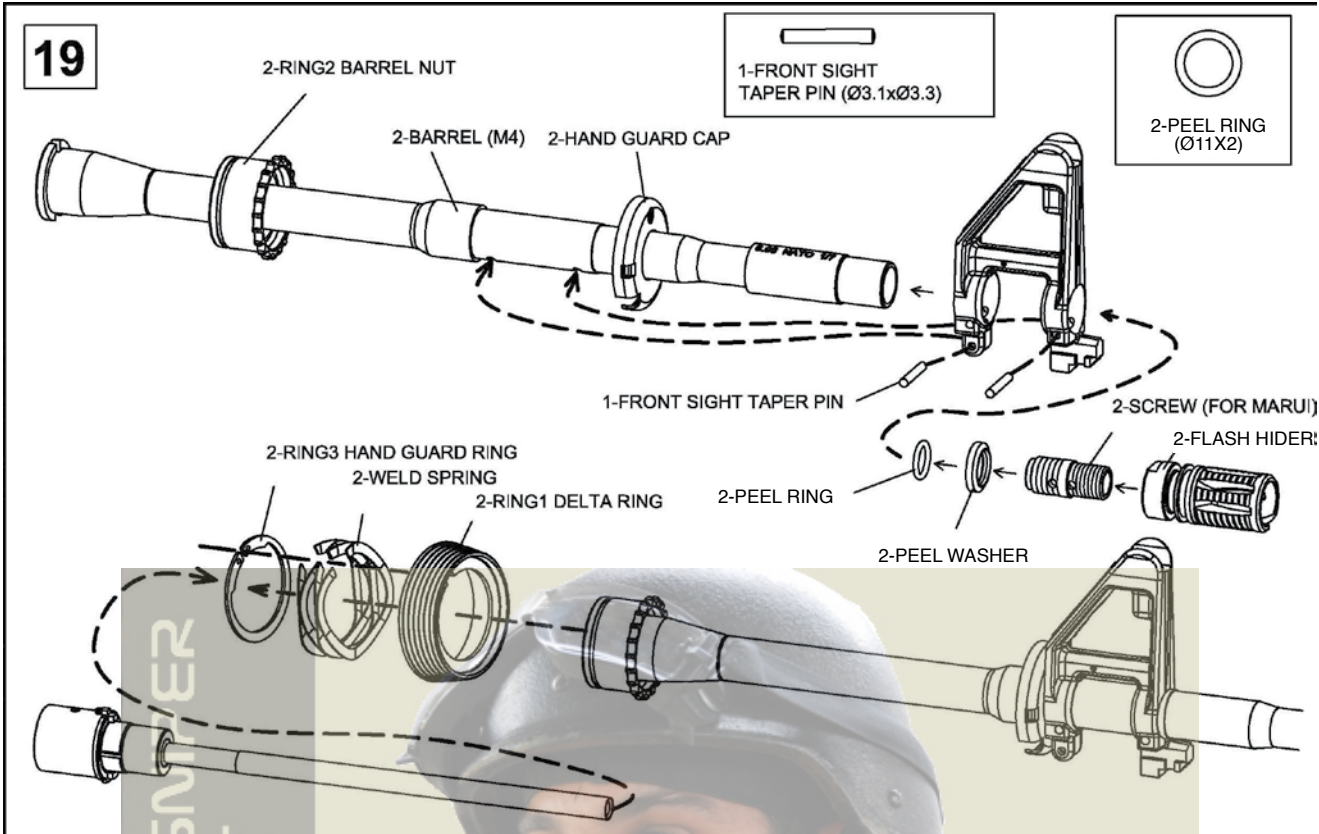
1-FRONT SIGHT DETENT SPRING

1-FRONT SIGHT

With the snap

1-FRONT SIGHT DETENT SPRING (Ø4x6.5)

Inokatsu M4 MTW SOPMOD (2011 Super Version) - Instructional Manual



Inokatsu M4 MTW SOPMOD (2011 Super Version) - Instructional Manual

