



# GAS BLOWBACK PISTOL

Series



## OPERATOR'S MANUAL

Version 0.9B

Warning : Read operator's  
manual before use.

# TABLE OF CONTENTS

01 Table of Contents

02 Disclaimer

03-04 Safety Guidelines

5 Nomenclature and Operating the Safety

06-10 Operation

11 Adverse Conditions Maintenance

12 Diagram

13 Troubleshooting

14 Warranty

UNIVERSO SIMPER  
AIRSOFT

UNIVERSO SIMPER  
AIRSOFT

## DISCLAIMER

It is the sole responsibility of the user(s) to ascertain that this product complies with all federal, state, and local laws in regards to the possession, transportation, sale, and use of this product. This product is intended for adult user(s) only, JAG Precision and its affiliated entities are not liable for any bodily injury or death that occurs through the use of this product.

## USE OF THIS MANUAL

Prior to handling these products, the user(s) must read this manual in its entirety. This manual encompasses important safety topics, instructions, principles, and operations including but not limited to mandatory safety equipment, replica firearms safety procedures, transportation, operation, maintenance, function, etc.

# **FAILURE TO FOLLOW SAFETY GUIDELINES MAY RESULT IN SERIOUS INJURY!!!**

## **EYE PROTECTION**

Always wear full seal ANSI-Z87.1 rated eye protection when in the vicinity of, operating, servicing, transporting, and or shooting this airsoft product.

## **ALWAYS POINT THE MUZZLE IN A SAFE DIRECTION AND TREAT THE GUN AS LOADED**

Always treat the airsoft gun as if it's loaded. Never assume the airsoft gun, chamber, shells/magazines, and or gas reservoir is empty and unloaded based off of memory or the word of others. Always unload the shells/magazines, empty the chamber, and vent the gas reservoir(s) after use.

## **FINGER OFF THE TRIGGER, SAFETY ON**

Always keep your fingers off the trigger and outside the trigger guard with the safety set to the safe position until you are ready to fire.

## **KNOW YOUR TARGET AND ITS SURROUNDINGS**

Always be aware of the direction that the airsoft gun is pointing. Never point or aim the airsoft gun in a direction you do not intend to shoot. When not firing always keep the muzzle pointed in a safe direction. Never aim this gun at people and or animals.

## **SAFETY DISTANCE**

The effective shooting range of this airsoft gun is approximately 175 feet. BBs fired from this airsoft product may travel further than intended. Make certain that you have an adequate backstop before firing.

## **CARRYING ON AND OFF THE FIELD**

Only use this airsoft product in legally established sanctioned airsoft fields. Use in any other location may be mistaken as brandishing.



## **BEWARE OF BARREL OBSTRUCTIONS**

Ensure that the barrel is clear free of obstructions before firing the airsoft gun. Failure to do so will cause jams or stoppages which may damage internal mechanisms and void the warranty. Ensure that the aforementioned safety equipment is worn at all times and the safety is engaged whenever checking for obstructions.

## **STORAGE AND TRANSPORT**

Ensure that the airsoft gun, magazines, and gas reservoirs are unloaded and empty. Place the fire selector on safe, insert a plug into the barrel, and place the airsoft gun inside of a secure container or bag. It is the sole responsibility of the user(s) to ascertain that this product complies with all federal, state, and local laws in regards to the transportation of this product.

## **ONLY USE HIGH QUALITY BBS AND GAS**

Only use high quality bbs and gas with this airsoft product. Failure to do so will void the warranty and will cause breakages and ricochets.

## **BLAZE ORANGE TIP AND MODIFICATIONS**

Any alteration of the blaze orange tip affixed or painted to the end of the barrel or modifications to the gun and internals will void the warranty of the product and may violate, state, federal, or local laws.

## **CLEANING AND MAINTENANCE**

Performing the proper maintenance as outlined in this manual will ensure the longevity of your JAG ARMS product. Failure to do so will negatively impact service life and may lead to injury.

**FAILURE TO FOLLOW SAFETY GUIDELINES MAY  
RESULT IN SERIOUS INJURY!!!**

## NOMENCLATURE AND OPERATING THE SAFETY

The pistol has two safeties, an automatic grip safety and a manual ambidextrous thumb safety.

To disengage the manual grip safety slide the lever located on either side of the rear of the slide downwards. Slide upwards to engage the safety.

**Note: The manual safety cannot be engaged when the hammer is in the downwards position**

The grip safety located at the back of the gun in line with the trigger and is automatically disengaged when a proper shooting grip is applied.



## LOADING BBS INTO THE MAGAZINE

To load BBs into the magazine slide and hold the follower in red towards the base of the magazine and hold it in place with the thumb of the hand that is gripping the magazine base.

**Caution:** Take care not release the follower when it's compressed, doing so may damage the magazine feed lips, follower, and cause bodily harm.

Angle the top of the magazine downwards while using your free hand to load bbs into the wide portion of the bb track. Be sure to stack the bbs evenly in an alternating pattern as uneven stacking may induce malfunctions and will diminish bb capacity. Slide follower up slowly when magazine reaches capacity.



## FILLING AND PURGING THE MAGAZINE

To fill the magazine first ensure you are in a well ventilated area away from ignition sources. Hold the magazine and gas canister upside down and center the gas canister nozzle over the fill valve located on the bottom of the magazine.

Press squarely into the fill valve taking care not to angle the canister as it will cause gas to vent during the filling process.

Press and hold for approximately 10 seconds or until full!

To ensure maximum gas capacity purging the magazine is also recommended.

To purge the magazine press and hold the knocker valve located at the rear of the magazine prior to filling. Fill following the guidelines above but immediately release the knocker valve as soon as gas vents from the magazine. Always purge with the top of the magazine facing away from you.



## LOADING, FIRING THE GUN, AND EMPTYING THE CHAMBER

Ensure that there is nothing down range that you do not intend to shoot. Insert a gassed and loaded magazine, disengage the safety and rack the slide all the way to the rear.

The pistol is now ready to fire. Aim at your intended target and pull the trigger.

To empty the chamber and magazine aim the pistol in a safe direction with a gassed magazine and fire until the slide locks to the rear. To degas hold down the slide catch and repeat the process until the gun stops firing. Remove the magazine by pressing the circular button behind the trigger on the left side of the pistol.



## HOP-UP ADJUSTMENT

In order to adjust the hop-up removal of the slide is necessary.

To remove the slide ensure that the magazine is removed and the gun is safe and clear.

Align the rear of the slide catch to the the round notch on the left hand of the slide and hold in this position.

Push on the slide catch pin located on the right side of the pistol to remove the slide catch. Slide the slide forward and off the gun to expose the hop-up adjustment dial.

Turn hop-up wheel counter-clockwise to increase hop, clockwise to decrease. Adjust to desired levels.

To reassemble line the notch up again and re-insert slide catch. Be sure to press down on any exposed components that inhibit reassembly.



Slide Catch



Hop-up Adjustment Dial



## CLEANING THE BARREL AND LUBRICATION

It is recommended that the barrels be cleaned after each use with a cleaning rod.

First ensure the magazine is removed and gun is safe and clear. Insert a swab, paper towel, or piece of fabric through the eyelet of a cleaning rod. Pull the swab towards the wide portion of the rod and remove any excess that reaches it.

Lightly dampen the swab with isopropyl alcohol and Insert the cleaning rod swab squarely into the barrel, upon encountering any resistance retract the rod and reinsert.

Repeat as necessary until there is little to no dirt on the swab.



## ADVERSE CONDITIONS MAINTENANCE

### RAINFALL OR HUMID CONDITIONS

Rainfall or humid conditions may cause moisture to build up inside of the gun and can void the warranty. Immediately after use dry all moisture and clean the barrel. Store in a dry location.

### DUSTY OR SANDY CONDITIONS

Dust or sand will cause malfunctions and interfere with the function of the airsoft gun and can void the warranty. Be sure to avoid sandy or dusty environments and to always clean the gun and barrel immediately after use.

### EXTREME COLD

This product is designed to operate above 70°F. In temperatures and environments below this this temperature performance and durability will be adversely affected. Using this product in a warmer environment and CO2 magazines are advised.

### EXTREME HEAT

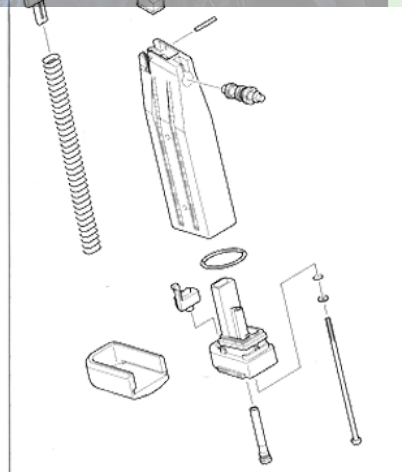
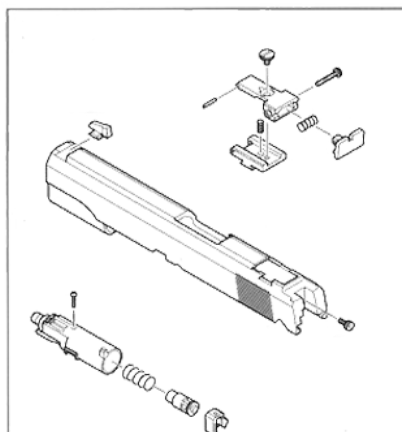
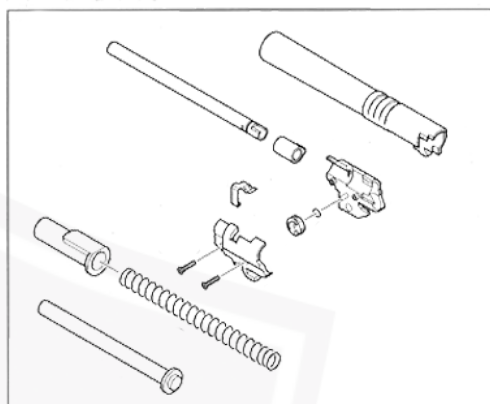
This product is designed to operate below 90°F. In temperatures and environments above this operating temperature the gun may fire at higher than advertised velocities or fail to fire. Cool off the gun and move to a shaded location.

### UNDER WATER

Do not operate this gas blowback pistol under water. Doing so will void the warranty.



# INTERNAL DIAGRAM



UNIVERSO SIMPER  
AIRSOFT

UNIVERSO SIMPER  
AIRSOFT

## TROUBLESHOOTING

SYMPTOMS	CAUSES	SOLUTIONS
High FPS	Temperature too high	Move gun to cooler location
Low FPS	Incorrect Gas	Only use JAG Arms Race Gas
	Temperature too low	Move gun to a warmer location
	Low on Gas	Refill Gas
Inconsistent Trajectory	Incorrect Gas	Only use JAG Arms Race Gas
	Dirty or reused BBs	Only use new JAG Arms BBs
	Barrel is Dirty	Unjam and clean barrel with included cleaning rod
	Incorrect Hop-up setting	Adjust Hop-up
Slide is jammed	Damaged Hop-up	Contact JAG Arms for technical support
	Safety is engaged	Disengage Safety
	Stuck on Hammer	Pull down on hammer
	Debris obstructing slide	Clear slide of obstructions
	Insufficient Lubrication	Lubricate Moving Parts
	Incorrectly Reassembled	Contact JAG Arms for technical support
Gun is not firing	Damaged Internals	Contact JAG Arms for technical support
	Safety is on	Turn off safety
	Gas reservoir is empty	Fill gas or insert filled gas cartridge
	Magazine is empty or jammed	Use a different fully loaded magazine
	Barrel is dirty or clogged	Unjam and clean barrel with cleaning rod
Hissing Noise	Dirty or reused BBs	Only use new Jag Arms BBs
	Damaged loading nozzle	Contact JAG Arms for technical support
	Dry O-ring seals	Add silicone lubricant to all visible valves
	Gas pressure too high	Move to the shade or fill with a lower pressure gas
	Damaged O-rings	Contact JAG Arms for technical support

## LIMITED WARRANTY

All Jag Arms products are warrantied up to 31 days from the date of purchase from any manufacturers defects. If you have any issues with your JAG Arms product please contact [RMA@jagprecision.com](mailto:RMA@jagprecision.com) along with an attached copy of the original sales receipt and a detailed description of the issue you are experiencing

Issues such as standard wear and tear or user error are not covered under the limited warranty.

Installation of an HPA adapter, removal of the orange tip, and improper service will void the warranty.

Jag Precision and Jag Arms reserves the right to refuse service to any warranty claims that are deemed to be disingenuous or deceitful.

Limited Warranty only covers JAG Arms products purchased in the continental United States.

Returns that are recieved without a pre-approved RMA number will not be accepted.

JAG Precision offers a repair service for our products. Visit our website for terms and conditions.

<https://jagprecision.com/pages/rma-policy>

UNIVERSO SIMPER  
AIRSOFT



UNIVERSO SIMPER  
AIRSOFT

JAG PRECISION INC. 2223 Troy Ave. South El Monte CA 91733.