

TARAN TACTICAL
INNOVATIONS

COMBAT MASTER

6MM GAS BLOWBACK PISTOL



OPERATOR'S MANUAL

VERSION 1.0

Warning : Read operator's
manual before use.

TABLE OF CONTENTS

01 Table of Contents

02 Disclaimer

03-04 Safety Guidelines

5 Nomenclature and Operating the Safety

06-10 Operation

11 Adverse Conditions Maintenance

12 Diagram

13 Troubleshooting

14 Warranty

DISCLAIMER

It is the sole responsibility of the user(s) to ascertain that this product complies with all federal, state, and local laws in regards to the possession, transportation, sale, and use of this product. This product is intended for adult user(s) only, JAG Precision and its affiliated entities are not liable for any bodily injury or death that occurs through the use of this product.

USE OF THIS MANUAL

Prior to handling these products, the user(s) must read this manual in its entirety. This manual encompasses important safety topics, instructions, principles, and operations including but not limited to mandatory safety equipment, replica firearms safety procedures, transportation, operation, maintenance, function, etc.

FAILURE TO FOLLOW SAFETY GUIDELINES MAY RESULT IN SERIOUS INJURY!!!

EYE PROTECTION

Always wear full seal ANSI-Z87.1 rated eye protection when in the vicinity of, operating, servicing, transporting, and or shooting this airsoft product.

ALWAYS POINT THE MUZZLE IN A SAFE DIRECTION AND TREAT THE GUN AS LOADED

Always treat the airsoft gun as if it's loaded. Never assume the airsoft gun, chamber, magazines, and or gas reservoir is empty and unloaded based off of memory or the word of others. Always empty the chamber, unload the magazines, and degas the magazines immediately after use.

FINGER OFF THE TRIGGER, SAFETY ON

Always keep your fingers off of the trigger and outside the trigger guard with the safety on until you are ready to fire.

KNOW YOUR TARGET AND ITS SURROUNDINGS

Always be aware of the direction that the airsoft gun is pointing. Never point or aim the airsoft gun in a direction you do not intend to shoot. When not firing always keep the muzzle pointed in a safe direction.

SAFETY DISTANCE

The effective shooting range of this airsoft gun is approximately 175 feet. BBs fired from this product may travel further than intended. Make certain that here is an adequate backstop before firing.

CARRYING ON AND OFF THE FIELD

Only use this airsoft product in legally established and sanctioned airsoft fields. Use in any other locale may be mistaken as brandishing.

BWARE OF BARREL OBSTRUCTIONS

Ensure that the barrel is free and clear of obstructions before firing. Failure to do so will cause jams or stoppages which may damage internal mechanisms and void the warranty. Ensure that the aforementioned safety equipment is worn at all times and the safety is engaged whenever checking for obstructions.

STORAGE AND TRANSPORT

Ensure that the airsoft gun, magazines, and gas reservoirs are unloaded and empty. Turn the safety on, insert a plug into the barrel, and place the airsoft gun inside of a secure container or bag. It is the sole responsibility of user(s) to ascertain that this product complies with all federal, state, and local laws with regards to the transportation and ownership of this product.

ONLY USE HIGH QUALITY BBS AND GAS

Only use high quality bbs and gas with this product. Failure to do so will void the warranty, cause erratic shot performance, and damage to internal mechanisms.

BLAZE ORANGE TIP AND MODIFICATIONS

Any alterations to the blaze orange tip permanently affixed to the end of the barrel or modifications to the gun or its internals will void the warranty and may violate federal, state, or local laws.

CLEANING AND MAINTENANCE

Perform the proper maintenance as outlined in this manual to ensure the longevity of your JAG Precision product. Failure to do so will negatively impact service life and may lead to injury.

**FAILURE TO FOLLOW SAFETY GUIDELINES MAY
RESULT IN SERIOUS INJURY!!!**

NOMENCLATURE AND OPERATING THE SAFETY

The pistol has two safeties, an automatic grip safety and a manual ambidextrous thumb safety.

To disengage the manual safety slide the lever located on either side of the hammer downwards. Slide upwards to engage the safety.

Note: The manual safety can only be engaged when the hammer is cocked.

The grip safety located at the rear of the pistol in line with the trigger is automatically disengaged when a proper shooting grip is applied.



LOADING BBS INTO THE MAGAZINE

To load BBs into the magazine slide and hold the follower in red towards the base of the magazine and hold it in place.

Caution: Do not release the follower before the magazine is fully loaded, doing so may damage the magazine.

While holding the follower in place angle the top of the magazine downwards while using your free hand to load bbs into the wide portion of the bb track directly above the follower. Be sure to stack the bbs evenly in an alternating pattern. Uneven stacking may cause malfunctions and will diminish bb capacity. Only Release the follower once the magazine is fully loaded.



FILLING AND PURGING THE MAGAZINE

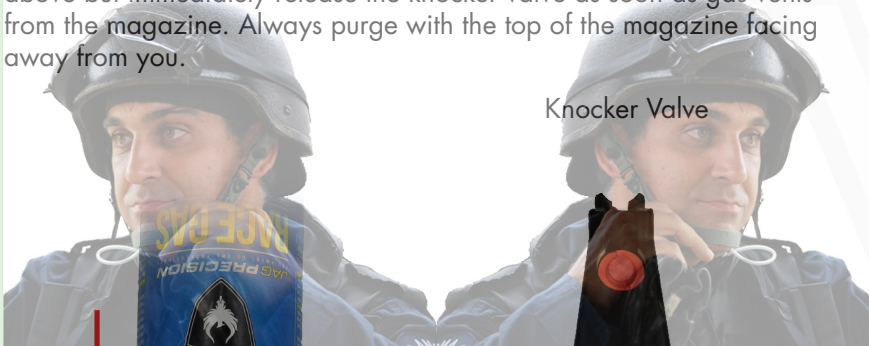
To fill the magazine first ensure you are in a well ventilated area away from any ignition sources. Hold the magazine and gas canister upside down and center the gas canister nozzle over the fill port located on the bottom of the magazine.

Press the fill nozzle directly into the fill port taking care not to angle the canister as it will cause gas to vent during the filling process.

Press and hold for approximately 10 seconds or until full!

To ensure maximum gas capacity purging the magazine is recommended.

To purge the magazine press and hold the knocker valve located at the rear of the magazine prior to filling. Fill following the guidelines above but immediately release the knocker valve as soon as gas vents from the magazine. Always purge with the top of the magazine facing away from you.



LOADING, FIRING THE GUN, AND EMPTYING THE CHAMBER

Ensure that there is nothing down range that you do not intend to shoot. Insert a gassed and loaded magazine, disengage the safety and rack the slide all the way to the rear and release in one swift motion.

The pistol is now ready to fire. Aim at your intended target and pull the trigger.

To empty the chamber and magazine aim the pistol in a safe direction with a gassed magazine and fire until the slide locks to the rear. To degass simply follow the purging instructions without the filling steps.



HOP-UP ADJUSTMENT

To adjust the hop-up removal of the slide is necessary.

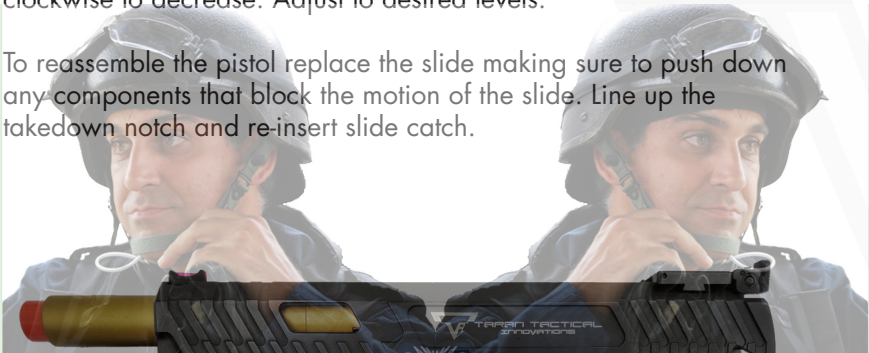
First ensure that the gun is safe and clear and the magazine is removed.

Align the rear of the slide catch to the the takedown notch on the left of the slide as shown in the Slide Catch diagram and hold in this position.

While continuing to hold the slide in position push the visible portion of the slide catch pin on the right side of the pistol to remove the slide catch completely. The slide can now be removed from the gun.

The hop-up adjustment dial is located on the bottom of the slide assembly. Turn the hop-up wheel counter-clockwise to increase hop, clockwise to decrease. Adjust to desired levels.

To reassemble the pistol replace the slide making sure to push down any components that block the motion of the slide. Line up the takedown notch and re-insert slide catch.



Slide Catch



Hop-up Adjustment Dial

CLEANING THE BARREL

It is recommended that the barrel be cleaned after each use with a cleaning rod and swab.

First ensure the magazine is removed and gun is safe and clear. Insert a swab through the eyelet of a cleaning rod. Pull the swab back towards the main body of the rod and remove any excess that reaches the wide portion.

Lightly dampen the swab with isopropyl alcohol and Insert the cleaning rod swab first into the barrel. Upon encountering any resistance retract the rod and reinsert.

Repeat as necessary until there is little to no dirt on the swab.



ADVERSE CONDITIONS MAINTENANCE

RAINFALL OR HUMID CONDITIONS

Rainfall or humid conditions may cause moisture to build up inside of the gun and can void the warranty. Immediately after use dry all moisture and clean the barrel. Store in a dry location.

DUSTY OR SANDY CONDITIONS

Dust or sand will cause malfunctions and interfere with the function of the airsoft gun and may void the warranty. Be sure to avoid sandy or dusty environments and to always clean the gun and barrel immediately after use.

EXTREME COLD

This product is designed to operate above 70°F. In temperatures and environments below this this operating temperature the gun may fire at lower than advertised velocities or fail to fire. Move the gun to a warmer location.

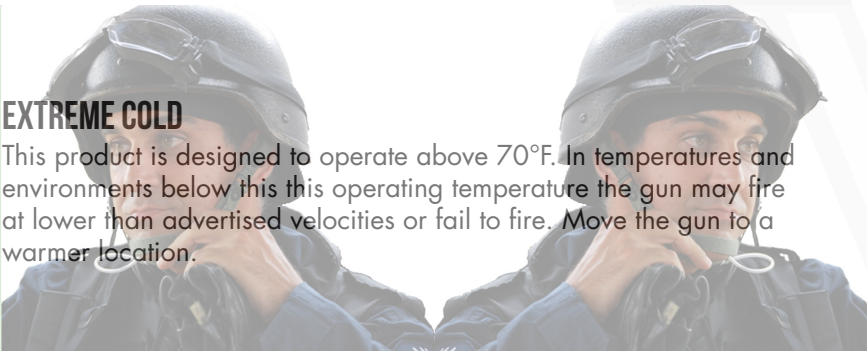
EXTREME HEAT

This product is designed to operate below 90°F. In temperatures and environments above this operating temperature the gun may fire at higher than advertised velocities or fail to fire. Cool off the gun and move to a shaded location.

UNDER WATER

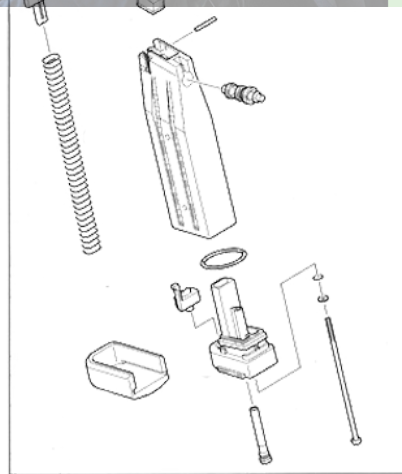
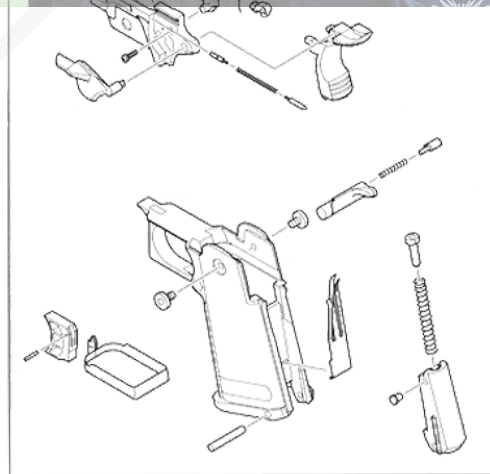
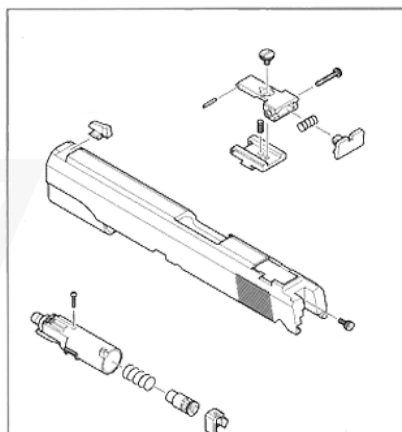
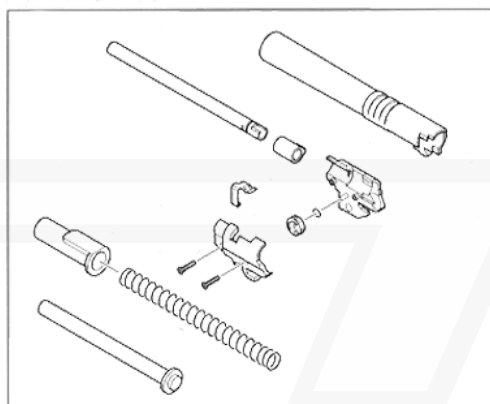
Do not operate this gas blowback pistol under water. Doing so will void the warranty.

UMVERSO SIMPER
AIRSOFT



UMVERSO SIMPER
AIRSOFT

INTERNAL DIAGRAM



UNIVERSO SIMPER
AIRSOFT

UNIVERSO SIMPER
AIRSOFT

TROUBLESHOOTING

SYMPTOMS	CAUSES	SOLUTIONS
High FPS	Temperature too high	Move gun to cooler location
Low FPS	Incorrect Gas	Only use JAG Precision Race Gas
	Temperature too low	Move gun to a warmer location
	Low on Gas	Refill Gas
Inconsistent Trajectory	Incorrect Gas	Only use JAG Precision Race Gas
	Dirty or low quality BBs	Only use new JAG Arms BBs
	Barrel is Dirty	Unjam and clean barrel with included cleaning rod
	Incorrect Hop-up setting	Adjust Hop-up
Slide is jammed	Damaged Hop-up	Contact JAG Precision for technical support
	Safety is engaged	Disengage Safety
	Stuck on Hammer	Pull down on hammer
	Debris obstructing slide	Clear slide of obstructions
	Insufficient Lubrication	Lubricate Moving Parts
Gun is not firing	Incorrectly Reassembled	Contact JAG Precision for technical support
	Damaged Internals	Contact JAG Precision for technical support
	Safety is on	Turn off safety
	Gas reservoir is empty	Fill gas or insert filled gas cartridge
	Magazine is empty or jammed	Use a different fully loaded magazine
Hissing Noise	Barrel is dirty or clogged	Unjam and clean barrel with cleaning rod
	Dirty or reused BBs	Only use new Jag Arms BBs
	Damaged loading nozzle	Contact JAG Precision for technical support
	Dry O-ring seals	Add silicone lubricant to all visible valves
	Gas pressure too high	Move to the shade or fill with a lower pressure gas
	Damaged O-rings	Contact JAG Precision for technical support

LIMITED WARRANTY

For service or support contact Jag Precision, do not contact Taran Tactical Innovations / TTI.

All Jag Precision products are warranted up to 31 days from the date of purchase from any manufacturers defects. If you have any issues with your JAG Precision product please contact RMA@jagprecision.com along with an attached copy of the original sales receipt and a detailed description of the issue you are experiencing

Issues such as standard wear and tear or user error are not covered under the limited warranty.

Installation of an HPA adapter, removal of the orange tip, use of low quality bbs and or gas, and improper service will void the warranty.

Jag Precision reserves the right to refuse service to any warranty claims that are deemed to be disingenuous or deceitful.

Limited Warranty only covers JAG Precision products purchased in the continental United States.

Returns that are recieved without a pre-approved RMA number will not be accepted.

JAG Precision offers a repair service for our products. Visit our website for terms and conditions.

<https://jagprecision.com/pages/rma-policy>

UNIVERSO SIMPER
AIRSOFT



UNIVERSO SIMPER
AIRSOFT

JAG PRECISION INC. 2223 Troy Ave. South El Monte CA 91733.