

LIMITED WARRANTY

Spartan Imports warrants this airsoft rifle purchased through Spartan Imports Authorized Dealers to be free from manufacturer defects in materials and workmanship under normal consumer usages for sixty (60) days. This warranty extends only to the first consumer purchase and is not transferable.

WHAT IS COVERED Replacement parts and labor.

WHAT IS NOT COVERED Shipping Charges to and from Spartan Imports for defective product and damages caused by abuse or failure to perform normal maintenance as well as any other expense.

Abuse & Misuse. Defects or damage that result from: (a) improper operation, storage, misuse or abuse, accident or neglect, such as physical damage (cracks, scratches, etc.) to the surface of the product resulting from misuse; (b) contact with liquid, water, rain, extreme humidity or heavy perspiration, sand, dirt or the like, extreme heat, or food; (c) use of the Products for commercial purposes or subjecting the Product or Accessory to abnormal usage or conditions; or (d) other acts which are not the fault of Spartan Imports, are excluded from coverage.

Use of Uncertified or Incompatible Products and Accessories. Defects or damage that result from the use of uncertified or incompatible Products, Accessories, or other peripheral equipment are excluded from coverage. Defects or damage that result from the use batteries or BBs that are not recommended by Spartan Imports are excluded from coverage.

Unauthorized Service or Modification. Defects or damages resulting from service, testing, adjustment, installation, maintenance, alteration, or modification in any way by someone other than Spartan Imports are excluded from coverage. This includes removal or alteration of the orange safety tip. Products or Accessories that show evidence of tampering are excluded from coverage.

Consequential damages, or incidental expenses, including damage to property. Some states do not allow the exclusion or limitation of incidental or consequential damages, so the above limitation or exclusion may not apply to you.

WARRANTY CLAIMS - Warranty Claims and Repair for North American customers only.

Please go to our website at www.spartanimports.com and visit the RMA Form section on our website. Please read this section carefully and then fill out the RMA form linked at the bottom of the page.

If it is determined that a return is necessary, you will be issued a Return Authorization Number via a reply email. Send a copy of your RMA form, a copy of your original purchase receipt, and a check made payable to Spartan Imports for \$21.95 to cover return shipping and handling along with your defective product. Be sure your full contact information (name, address, phone number, and email) are on the RMA form and please also boldly write the RMA number boldly on your box. Return the product prepaid to Spartan Imports at the address on the RMA form.

ANY IMPLIED WARRANTIES, INCLUDING WITHOUT LIMITATION THE IMPLIED WARRANTIES OF MERCHANTABILITY AND FITNESS FOR A PARTICULAR PURPOSE, SHALL BE LIMITED TO THE DURATION OF THIS LIMITED WARRANTY, OTHERWISE THE REPAIR OR REPLACEMENT AS PROVIDED UNDER THIS EXPRESS LIMITED WARRANTY IS THE EXCLUSIVE REMEDY OF THE CONSUMER, AND IS PROVIDED IN LIEU OF ALL OTHER WARRANTIES, EXPRESS OR IMPLIED.

IN NO EVENT SHALL SPARTAN IMPORTS BE LIABLE, WHETHER IN CONTRACT OR TORT (INCLUDING NEGLIGENCE) FOR DAMAGES ARISING OUT OF OR IN CONNECTION WITH THE ABILITY OR INABILITY TO USE THE PRODUCTS TO THE FULL EXTENT THESE DAMAGES MAY BE DISCLAIMED BY LAW.

REPAIR

Perform routine inspection and maintenance to check for proper function. Modification may cause a gun to malfunction and tampering with a gun may make it unsafe to use. Any change in the performance, such as lowered trigger force and shortened trigger travel, indicates possible wear and that such guns should be inspected, replaced, or properly repaired, and repairs should only be made by Spartan Imports authorized dealer. Check any gun that has been dropped to ensure that its function has not been affected.



DISTRIBUTED BY
SPARTAN IMPORTS
AMERICA'S PREMIER AIRSOFT DISTRIBUTOR
WWW.SPARTANIMPORTS.COM

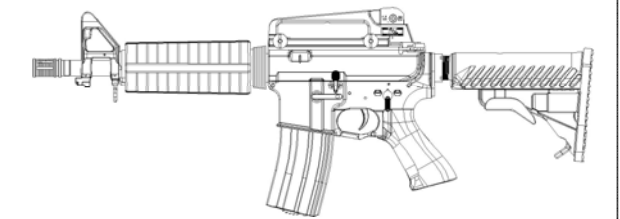


JAVELIN

AIRSOFT WORKS

ELECTRIC BLOWBACK SYSTEM

USER MANUAL



! WARNING

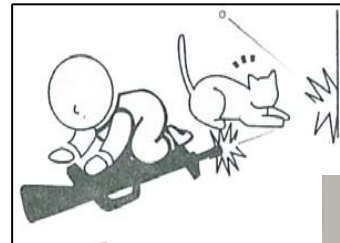
- This Airsoft gun is not intended for unsupervised use by any person under the age of 18 years. Always read the instructions carefully before operating.
- User should obey all laws regarding the usage and ownership of airsoft electric guns.
- Misuse or careless use may cause serious injury.
- Facial Protection is required.



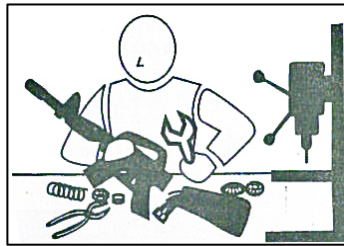
Always wear goggles or eye protective gear to protect your eyes when shooting



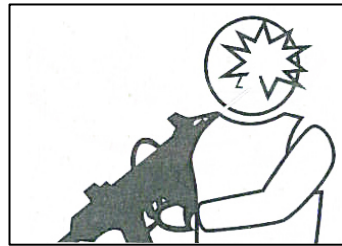
Never point the muzzle at people or animals



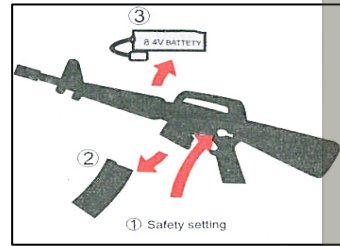
Always keep the airgun out of children reach



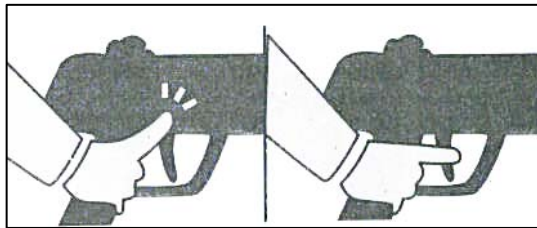
Disassembling or modifying the gun may affect the gun's performance and void manufacturer's warranty



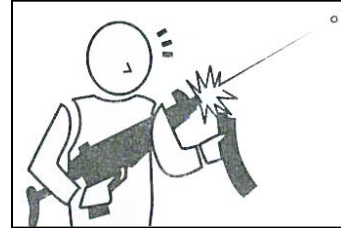
Don't look at the muzzle directly. It is extremely dangerous



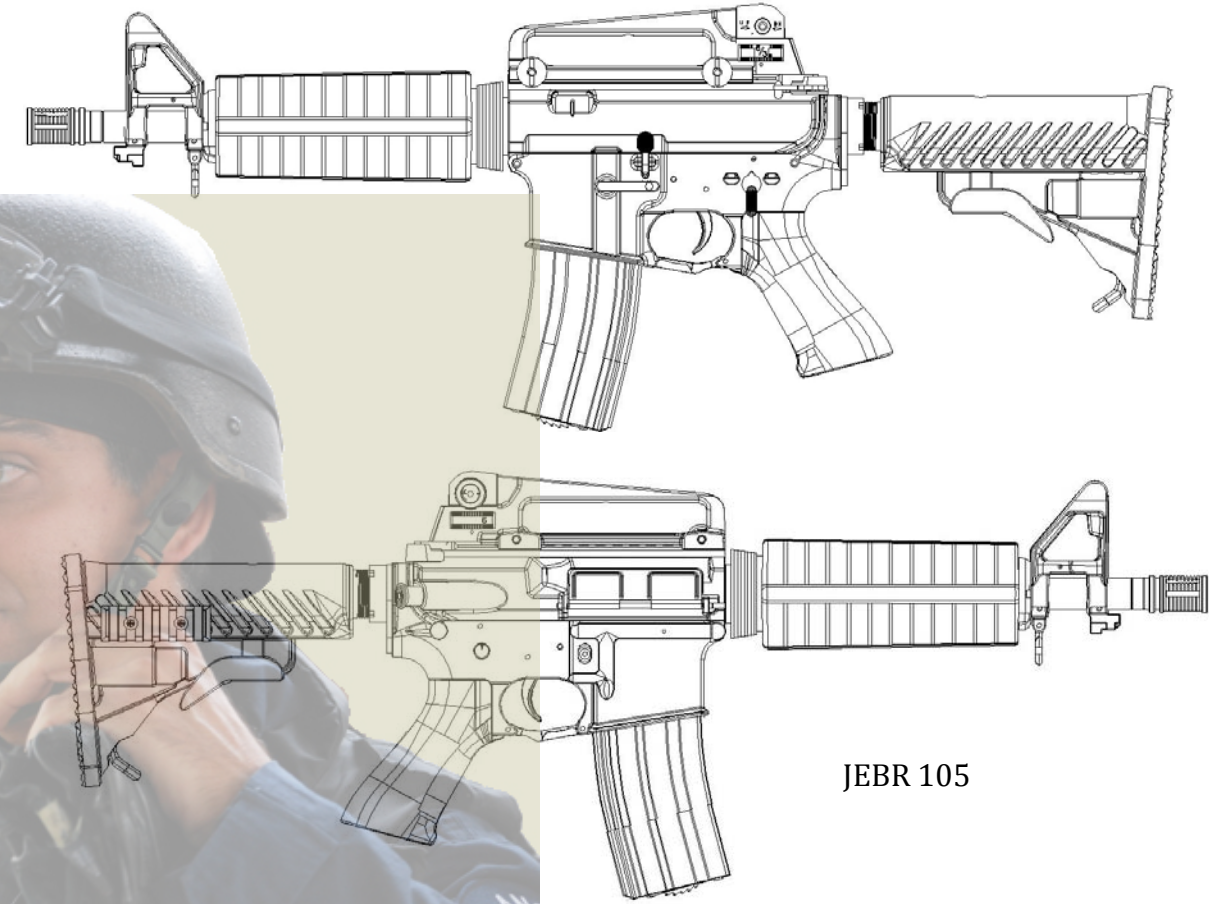
Remove magazine and battery during storage. Set the fire selector to safe when unused



Never put your finger onto the trigger unless you are ready to fire



Be careful that BB bullets maybe fire out even if the magazine is removed.



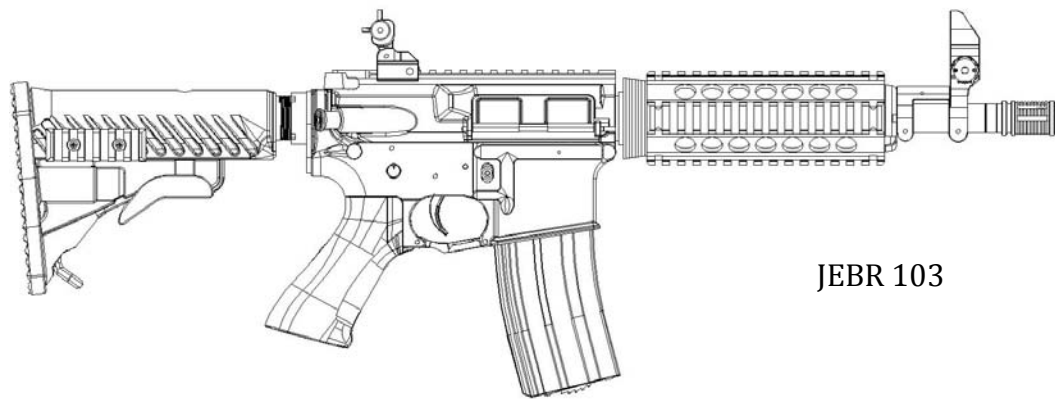
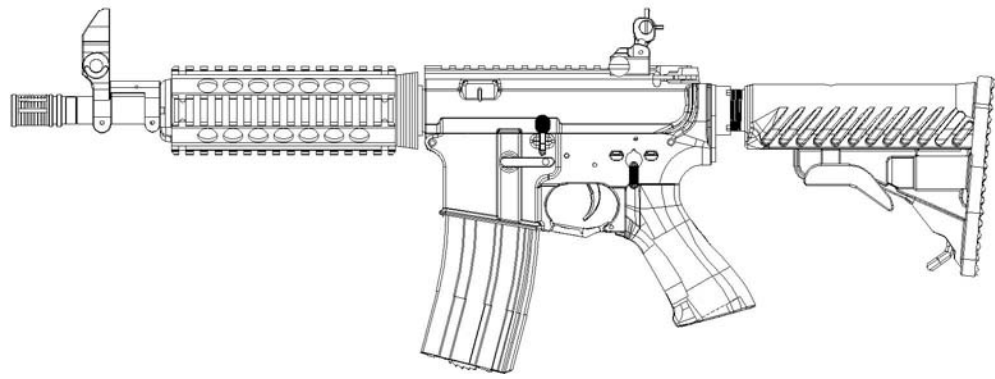
JEBR 105



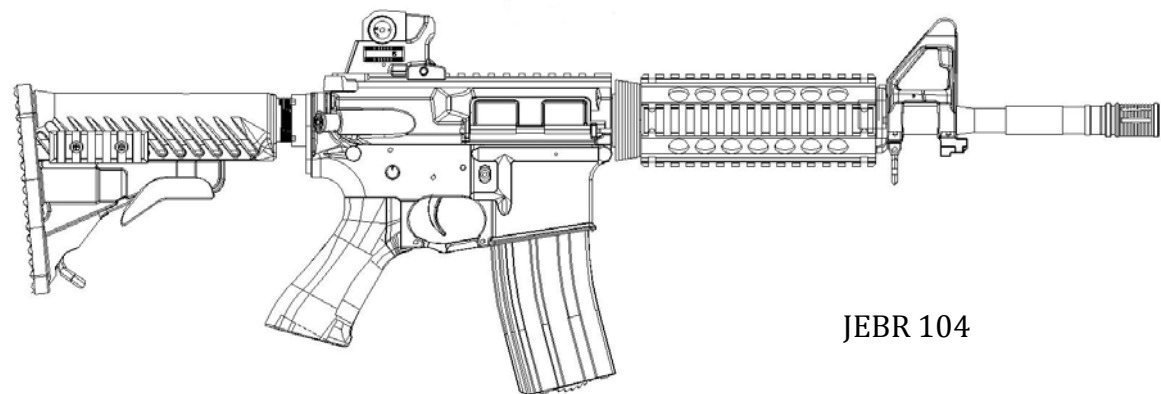
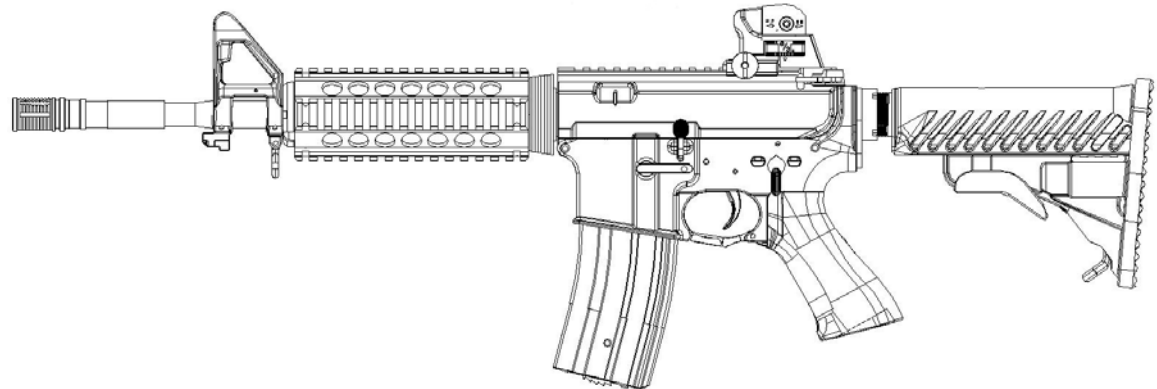
Handling airsoft guns have the potential risk of serious injury such as blindness and damage to property, please read carefully the Handling & Instruction manual before use.

- This airgun is capable of shooting a 6mm diameter BB, Operate the airgun with caution and pay attention to safety.
- During a game, always put your goggles or facemask on. Failure to wear eye protective gear in the worst case will cause blindness.
- Pay attention to and take care to not hit bystanders within the estimated dangerous firing zone.
- Never shoot any items that subject to breakage. (glass, lamp, car, gas bomb...etc)
- Never insert items other than an airsoft BB into the magazine or gun barrel.
- The gun must not be operated after drinking alcohol to avoid possible danger.
- Always store at place out of the reach of children
- Malfunction of motor or battery will occur if the gun is immersed in water. Stop operating the gun, remove the battery and consult our service department immediately.
- Having a positive playing demeanor is essential.
- Select a safe place for operating the airgun. Avoid places where people and cars pass across or third persons are around.
- Always put the gun in a case or bag when you are carrying it. Avoid giving rise to public panic.
- BB bullets maybe fire out even the magazine is removed. Direct the muzzle towards a safe area. Pull the trigger to confirm no bullets remain in the gun. Then attach the protective plug to the muzzle when unused.
- Remove the magazine and battery from the gun when unused.

12 JEBR Model (Current and Planned)

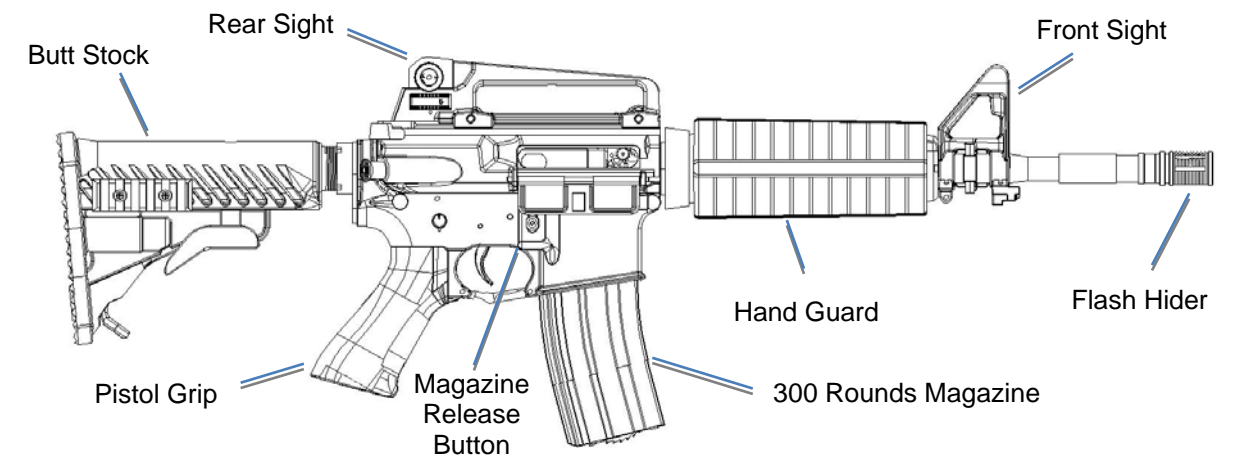


JEBR 103



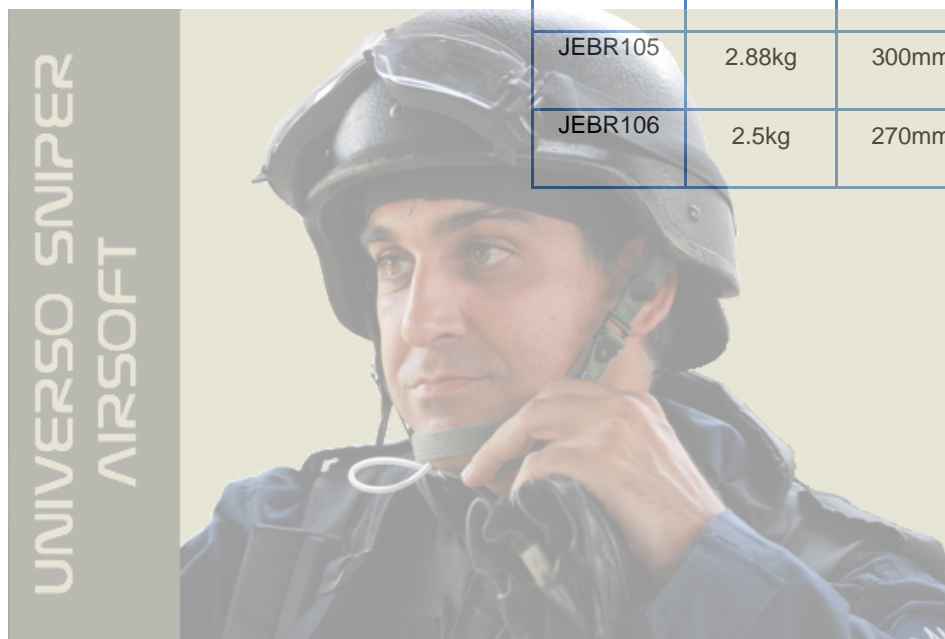
JEBR 104

2 Layout Structure

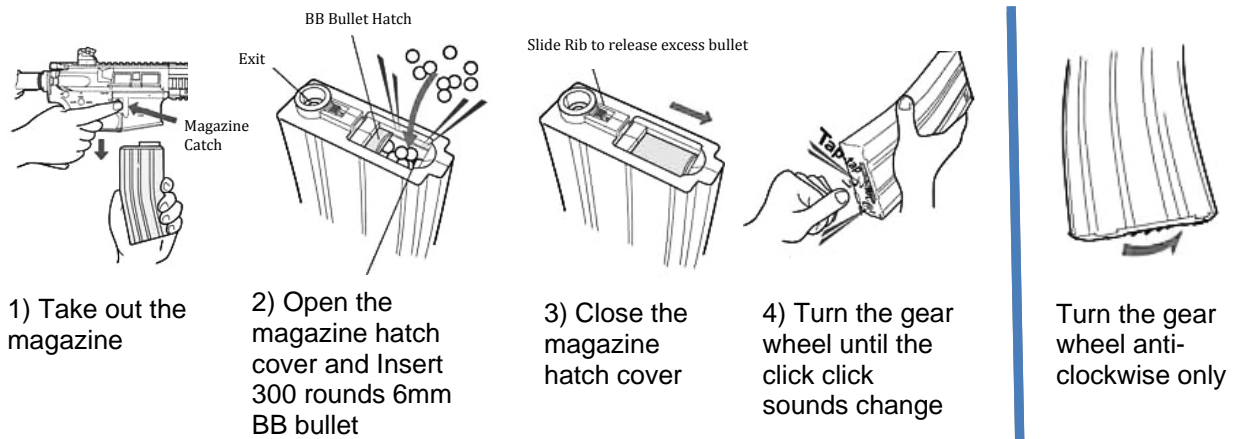


3 Specification

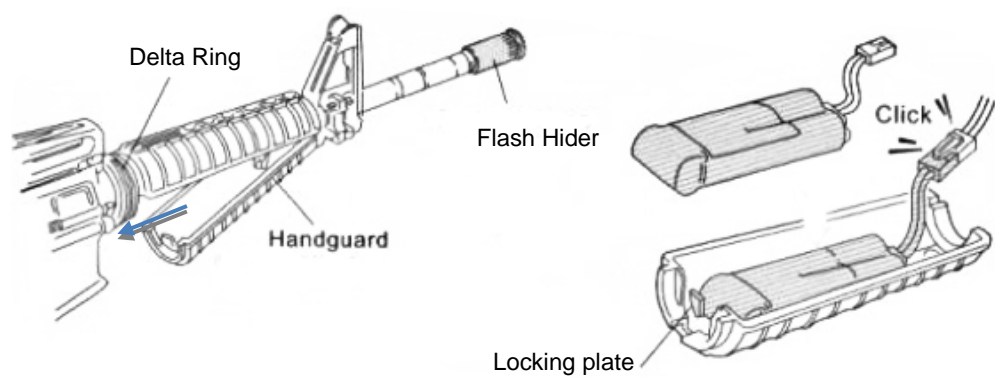
	Weight	Barrel Length	Barrel Caliber	Pellet Capacity	Pellet	Initial Pellet Speed
JEBR101	2.99kg	370mm	6.08mm	300	6mm BB	105 ~ 130m/s
JEBR102	2.8kg	300mm	6.08mm	300	6mm BB	
JEBR103	2.83kg	300mm	6.08mm	300	6mm BB	
JEBR104	3.1kg	370mm	6.08mm	300	6mm BB	
JEBR105	2.88kg	300mm	6.08mm	300	6mm BB	
JEBR106	2.5kg	270mm	6.08mm	300	6mm BB	



4 Filling the Magazine

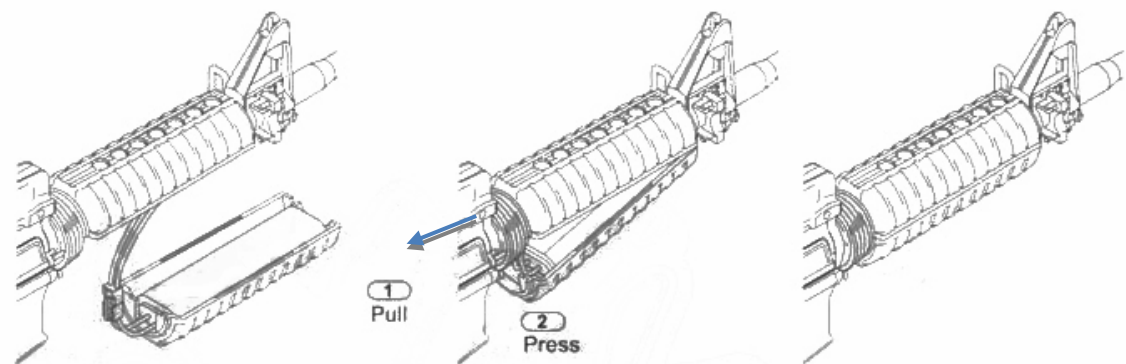


5 Install Battery



Pull back the delta Ring and take down the hand guard

Place the battery



Connect the collectors

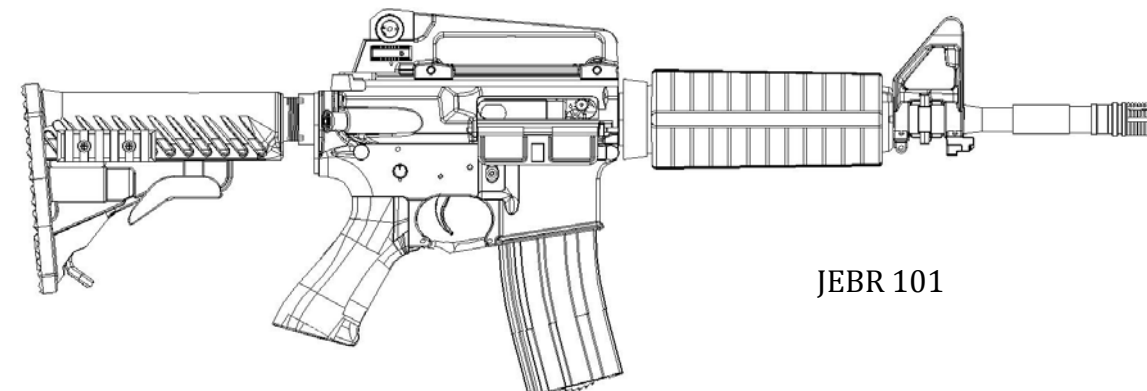
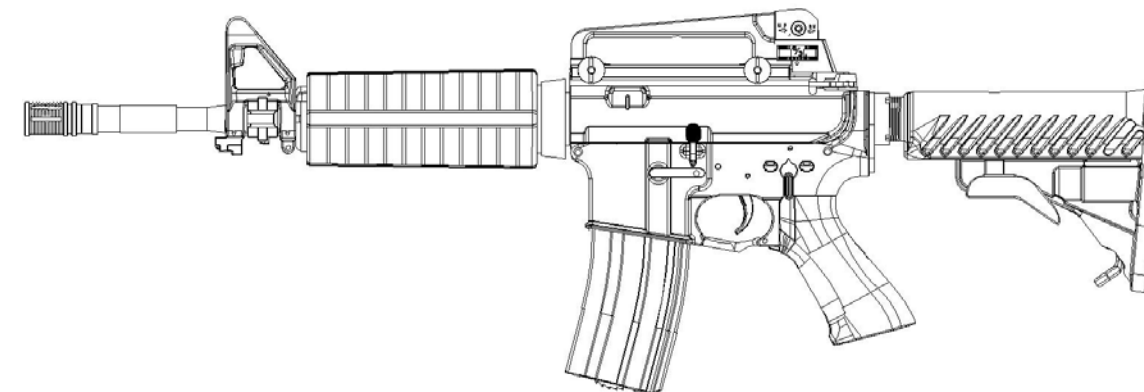
Pull back the delta Ring again and insert the hand guard back to place

Make sure the hand guard is secured in the delta ring

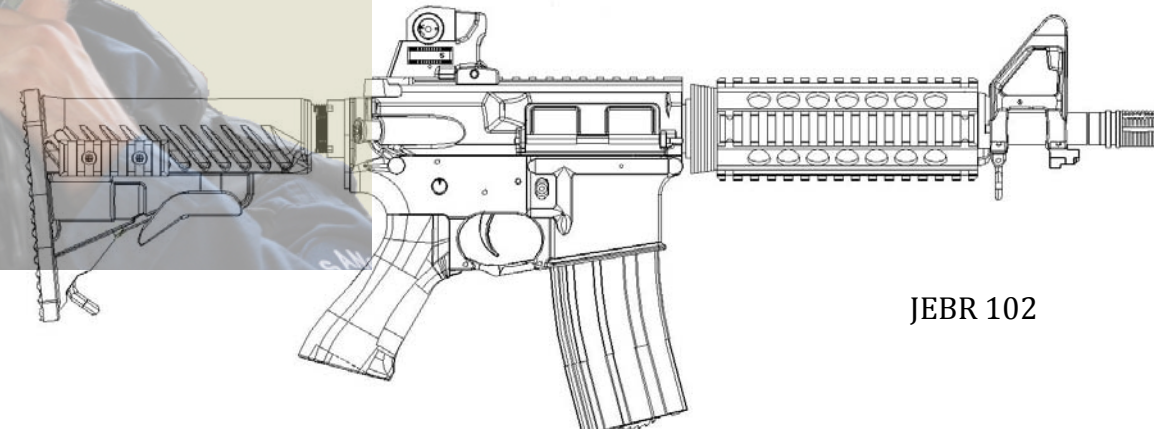
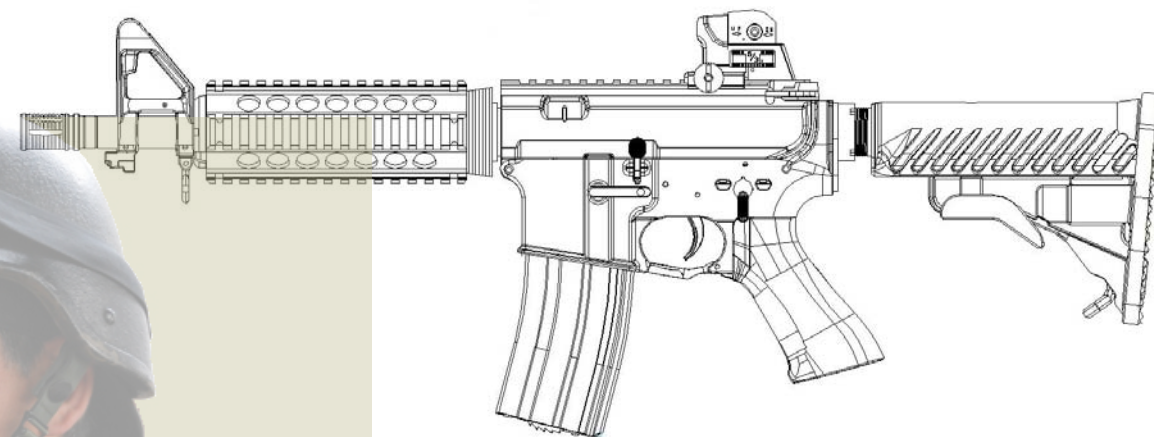
UNIVERSO SNIPER
AIRSOFT



12 JEBR Model (Current and Planned)



JEBR 101

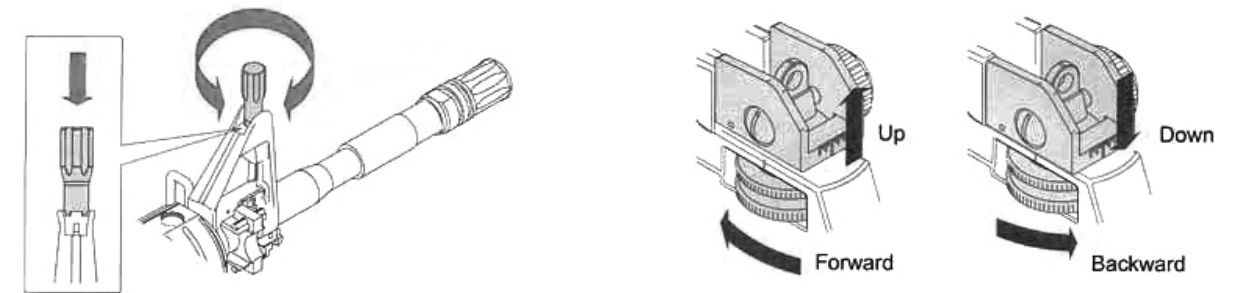


JEBR 102

11 Troubleshooting Guide

Status	Cause	Action
No operation at all	Fire selector is set to Safe	Set the fires selector to Semi or Full Auto
	Battery is not charged	Fully charge the battery
	Battery connector is disconnected or reversed	Connect the connector correctly
	Fuse is fall off or blown down	Replace the fuse
	Poor Motor electrical connection	Check and repair the motor
	Expired Motor Life	Replace a new motor
Although the motor is running, but no BB fire out	Magazine is not full seated into the receiver	Load the magazine into receiver and turn the gear wheel. If still doesn't work, contact your service technician or ask us for assistance
	Bullets are clogged in Hop up system or barrel	Using the cleaning rod to remove clogged bullets
	Faulty gear	Please contact your service technician or ask us for assistance
	Tappet plate is broken	
Full auto not functioning	Insufficient battery power	Charge the battery
	Fault bullets feed from magazine	Using the cleaning rod to remove clogged bullets
Semi auto not functioning	Deviation in gear timing	Fire 5-6 rounds in full auto then switch back to semi auto again
	Insufficient battery power	Charge the battery
	Fault bullets feed from magazine	Using the cleaning rod to remove clogged bullets
BB roll out from barrel	Hop up or barrel damaged	Please contact your service technician or ask us for assistance
	Faulty or poor quality of BB	Use higher quality BB
Shooting distance greatly reduced	Hop up or barrel damaged	Please contact your service technician or ask us for assistance
	Piston or O-ring damaged	
	Deteriorated piston spring	
	Gear problem caused by excessive dry firing	
	Faulty BB Bullets	
Loud operation noise	Damaged gear	Please contact your service technician or ask us for assistance
	Problem caused by engagement between the motor and gears	Don't tune the engagement between the motor and bevel gear yourself, contact your service technician or ask us for assistance
Gun has been immersed by water	Stop Operation immediately and disconnect the battery. Wipe off any excess water from inside the body and from the battery. When AEG is completely dry, test fire. If no operation or signs of malfunction is suspected, please contact your service technician or ask us for assistance	

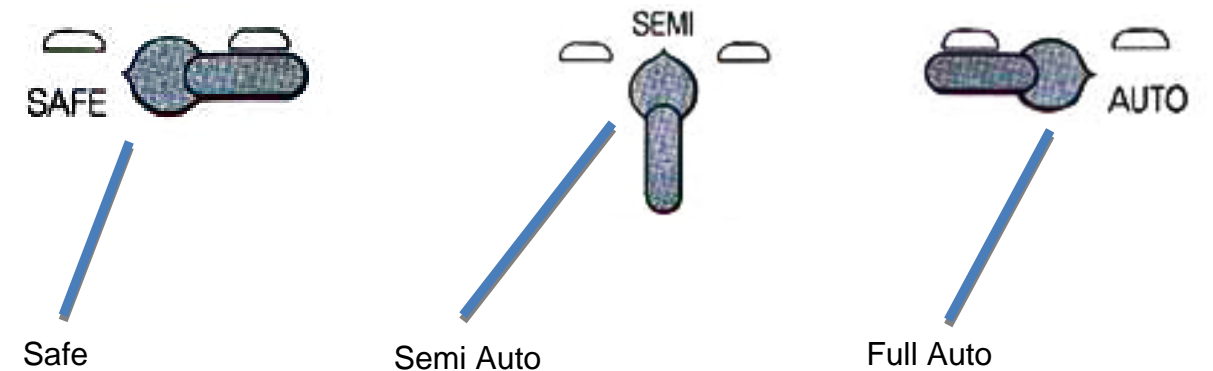
6 Sight Adjustment



Use Calibrating tools to adjust the sight. Turning anti-clockwise to lowers the bullet hitting point or clockwise to higher the bullet hitting points

Adjust the rear sight by turning the dial up wheel forward will make the sight go up. Turning the dial up wheel backward will make the sight go down

7 Firing Operation

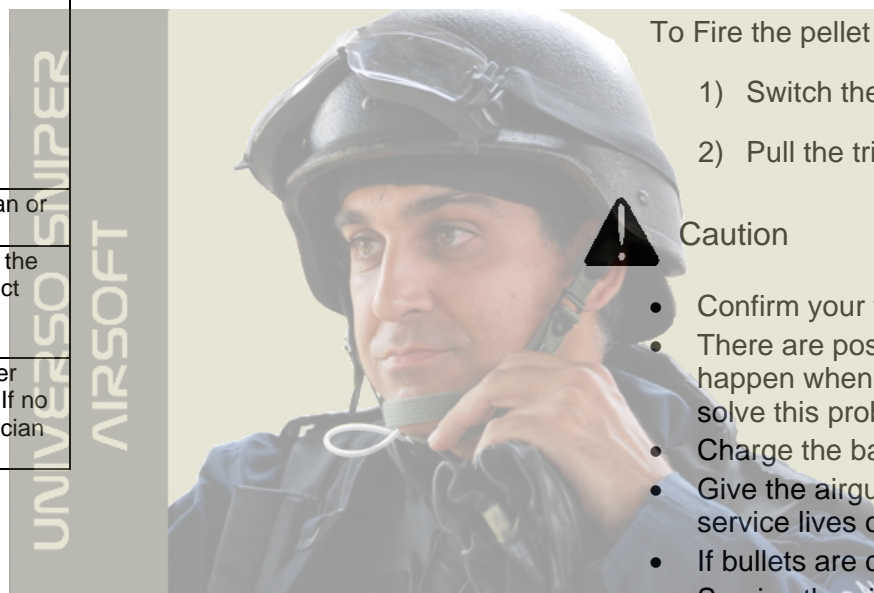


To Fire the pellet

- 1) Switch the selector switch to Semi or Full Auto
- 2) Pull the trigger

Caution

- Confirm your firing area is safe before firing.
- There are possibilities that no BB comes out after pulling the trigger. This may happen when new magazine is inserted. Switch to Full Auto and fire 5 – 10 shots will solve this problem.
- Charge the battery if the firing cycle become slow.
- Give the airgun a rest of 5 – 10 minutes after firing 220 rounds in order to ensure long service lives of the motor and battery.
- If bullets are clogged, stop firing and remove the clogged bullets immediately.
- Service the airgun with silicon oil as daily maintenance.
- Hop up may be unstable for first 200-300 rounds after silicon oil is used, this is normal operation of the gun.



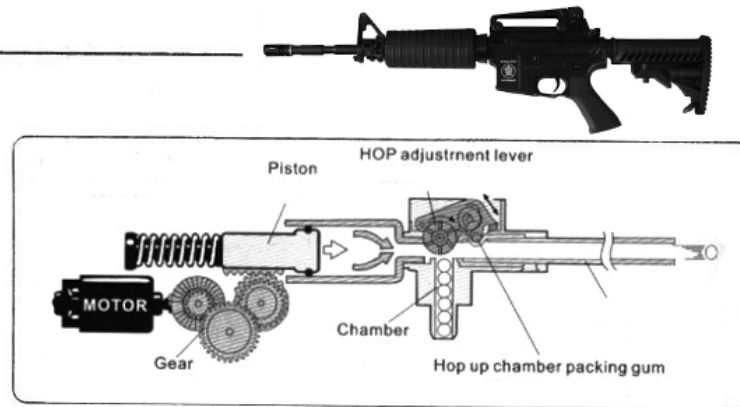
8

Hop Up Adjustment (Suitable for ALL JEBR Models)

X Too Much Hop Up (Return lever towards NORMAL)

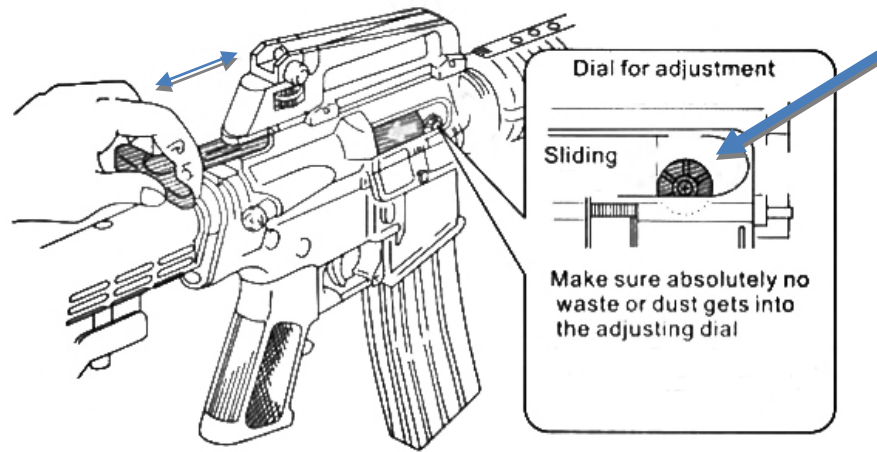
✓ Best Position

X Not Enough Hop Up (Move lever towards HOP)



Variable Hop Up System

By producing backspin on the BB bullets, this system allows BB to fly straighter and longer



Pull the charging handle and open the ejection cover. Then you can see a hop up wheel inside as photo

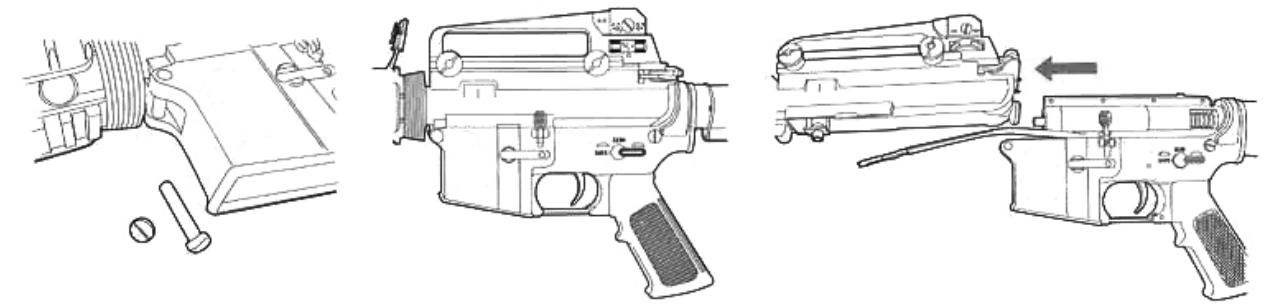
Turn the wheel anti-clockwise for NORMAL or clockwise for STRONG Hop Up

⚠ Caution

- The best position is where the bullets fly horizontally and the longest flying distance is obtained.
- Turning excessively adversely affects the trajectory. Therefore stop turning the dial when bullets fly horizontally.
- Moving the lever too much towards HOP will cause bullets to clog. Firing the gun with clogged bullets will damage the piston and gear.
- If the hop up is adjusted excessively and causing clogging of bullets, stop operating the gun immediately. Return the lever to NORMAL and remove the clogged bullet.
- Spartan Imports, Inc and Javelin Airsoft Works will not be held responsible for any damages or accidents caused by wrongful operation, disassembly and modification of the airgun.

9

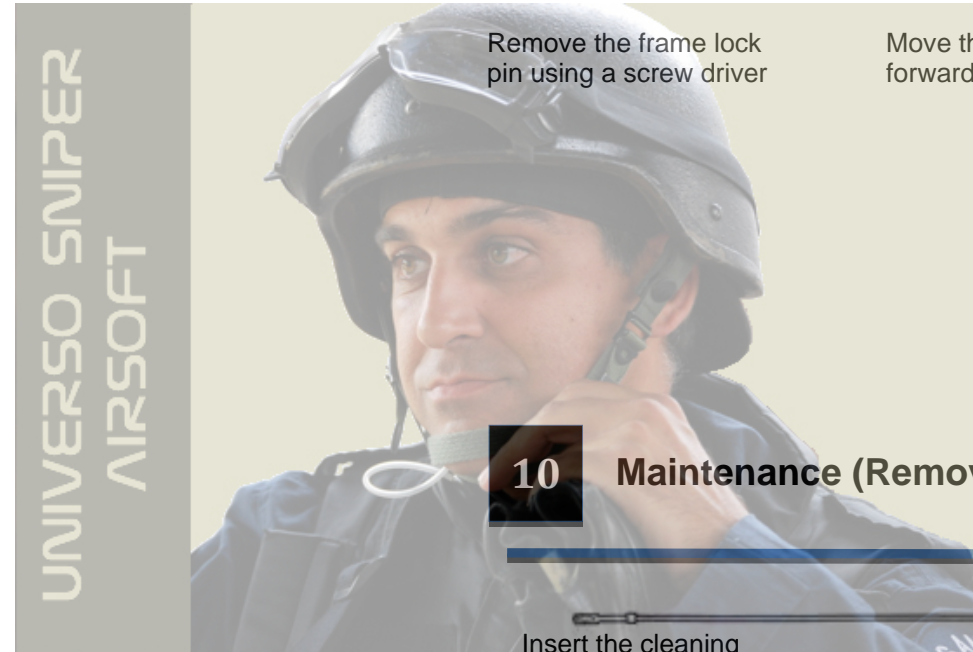
Disassembling the gun



Remove the frame lock pin using a screw driver

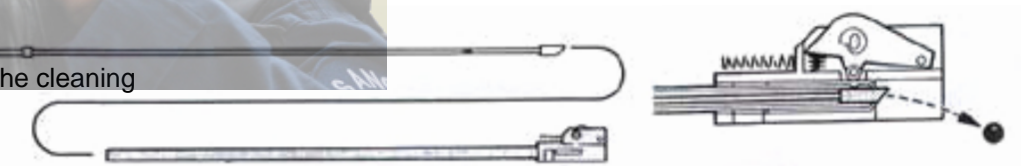
Move the upper receiver forward

Separate the upper and lower receiver (beware of the wire)



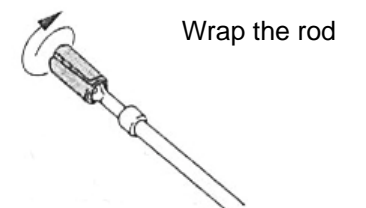
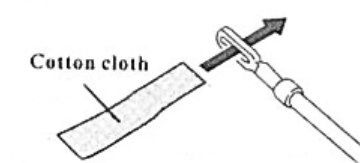
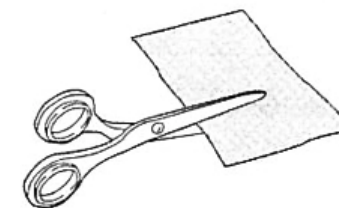
10 Maintenance (Removing Clogged Bullets & Barrel Cleaning)

Insert the cleaning rod



Cleaning Rod facing down

1. Make sure to insert the cleaning rod AFTER returning the hop up lever to NORMAL position. (HOP OFF)
2. Insert the cleaning rod from the lead edge of the barrel
3. Be careful so that the angled part of the cleaning rod facing down and remove clogged bullets



Maintenance is needed when bullet speed becomes slow. Wrap a cotton cloth on the rod. Hold the leading end of the rod and insert rod into the barrel while turning the rod to clean the barrel inside