

AUTOMATIC ELECTRIC GUN SERIES

A47 & 47S

Users Restricted to
18 Years of age or older
适合年龄十八岁以上使用

HANDLING CAUTIONS AND
INSTRUCTION MANUAL




操作指导手册



Always read through this manual before operation.
操作之前先阅读这本手册



WARNING

 <p>Only for 18 years of age or older 只适合18岁以上</p>	<p>Operation of this air gun for competition use is restricted to users of 18 years of age or older. 这款气枪只适合18以上的人员操作</p>
 <p>Injury caution 伤害警告</p>	<p>Since plastic BB bullets reach 30 to 40 meters, careless shooting may cause eye damage or other injuries. 塑料的BB弹的射程可以达到30-40米, 小心射击避免造成眼睛损害或其他部位的受伤</p>
 <p>Careful reading of Handling cautions and Instruction manual 仔细阅读操作手册和说明手册</p>	<p>Always read through this HANDLING CAUTIONS AND INSTRUCTION MANUAL carefully before operation Operate the air gun with full recognition of warnings and cautions. 操作气枪之前请仔细阅读操作手册和注意事项</p>

● Promptly request a copy if you lose the HANDLING CAUTIONS AND INSTRUCTION MANUAL. 防止丢失, 请将手册做备份



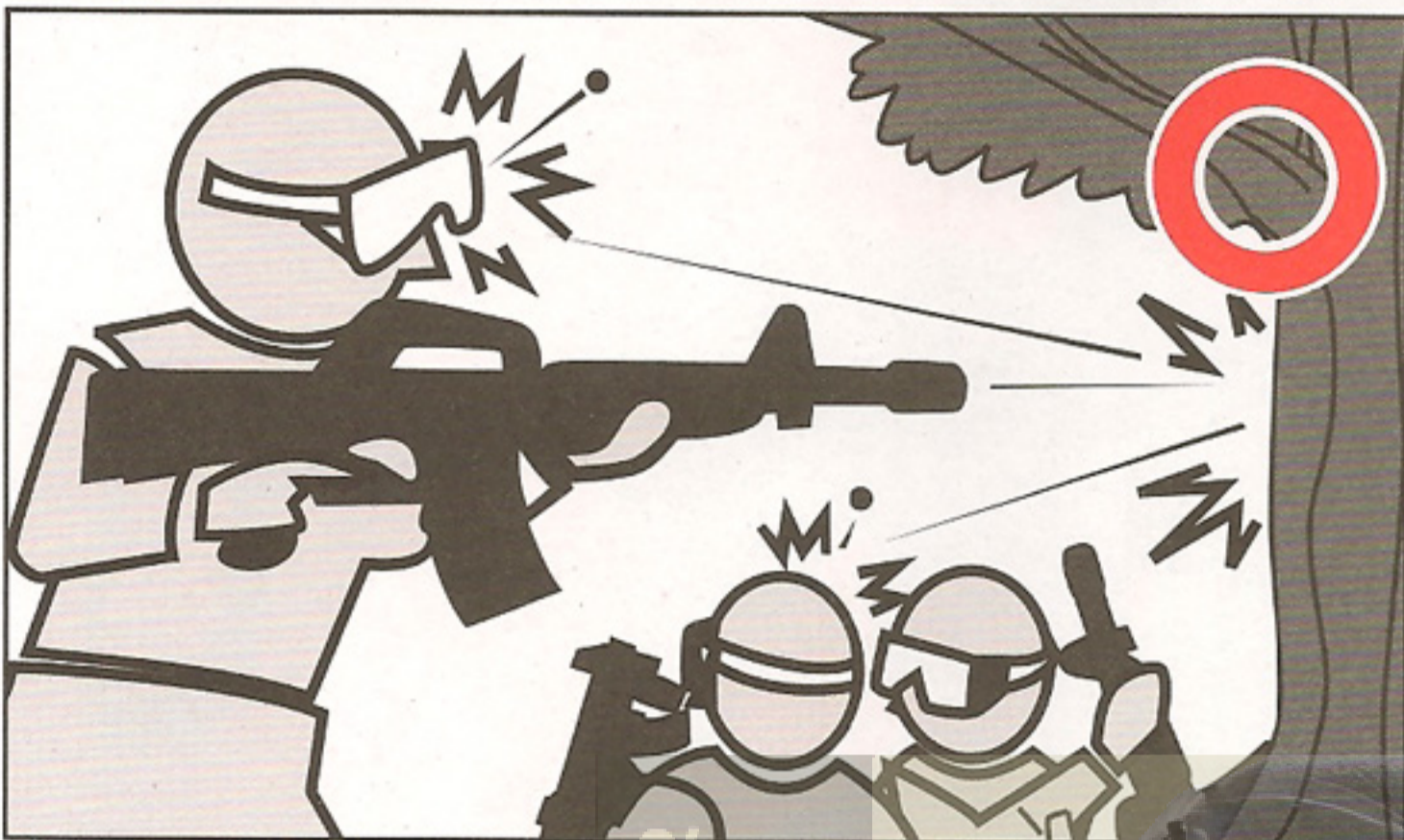
WARNING

This sport gun is developed for enjoying sport shooting through correct sport shooting operation. shooting sense,if you recognize its features and operational warnings.As the air gun has the dangerous,causing eye damage or other injury.Make sure to read through warnings stipulated

这款运动气枪是专为运动娱乐而设计的，射击运动有自身的特点。气枪射程能达到50-60米，是最适合的运动产品之一。因为气枪存在导致眼部或其他身体

禁止射击人或动物

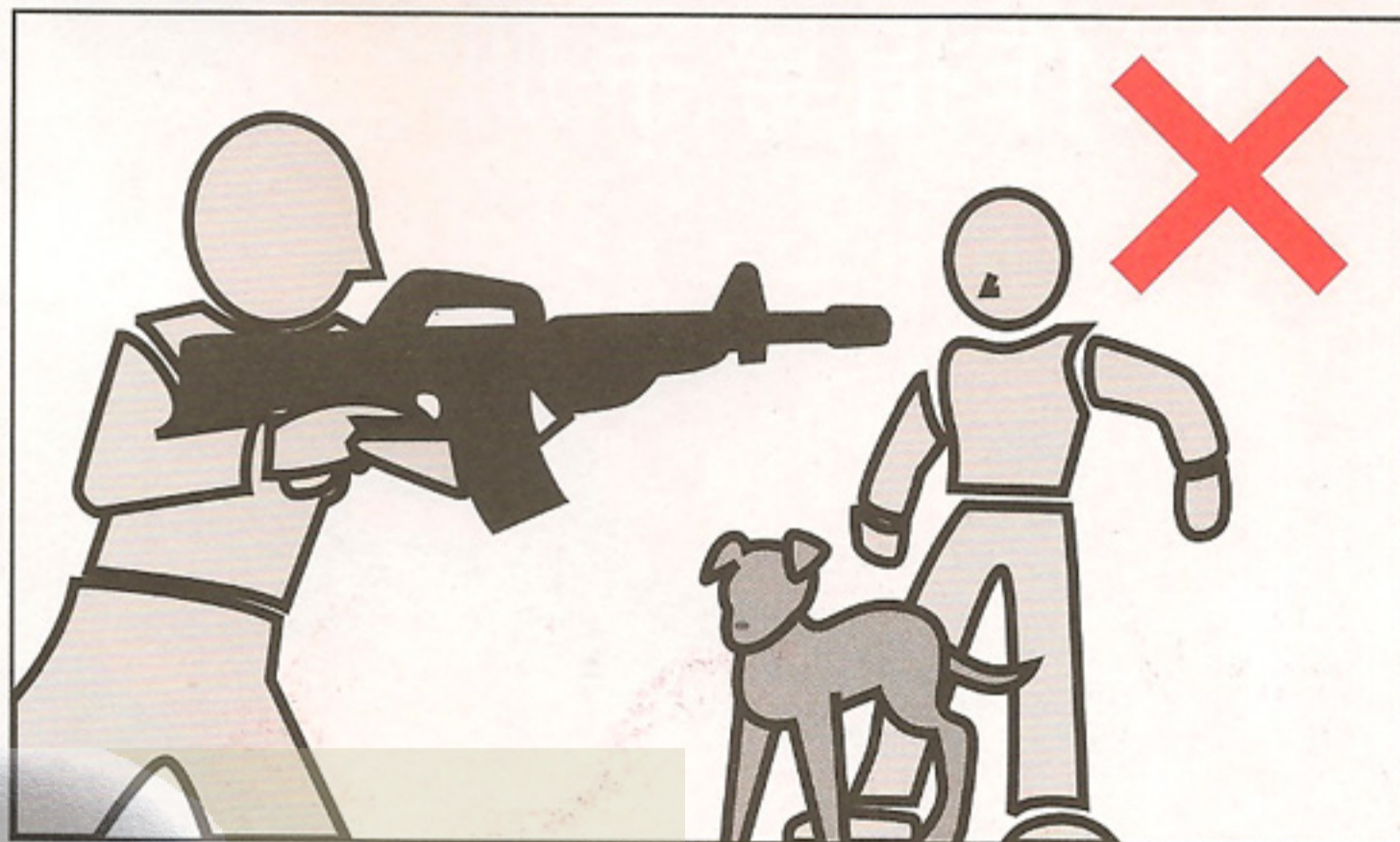
WARNING Always wear eye protective gear. 使用眼部保护装置



When shooting the air gun for a target or game,you and all participants must wear goggles or other eye protective gear,also paying attention to ricochets.(Pay sufficient attention also to third personnel other than participants.)

用气枪射击目标或游戏时，参与者必须使用眼罩或其他眼部保护装置，同时小心子弹回弹。（除了参与者外，还需注意第三方的安全）

WARNING Never shoot the air gun towards a person or animal. 禁止射击人或动物



Never aim or shoot a person or animal as the target.Always attach the protective plug to the muzzle,except when you are ready to shoot a target.

禁止把人或动物作为瞄准或射击目标，除了准备射击时，保护栓必须扣上。

WARNING You may be punished if you are shooting for a practical joke. 如果用气枪开恶意玩笑，可能会受到惩罚。



You may be punished if you damage public or personal properties or injure a person or animal even if you are shooting for a practical joke.Always observe manners and enjoy healthy sport shooting.

即使是开玩笑，但一旦损坏公物、他人财产或伤害他人或动物，就可能受到惩罚，请注意素养礼貌，享受健康的射击运动。

WARNING Avoid pulling the trigger carelessly. 避免随意扣动扳机



Activating the trigger carelessly is extremely dangerous.Never put your finger onto the trigger unless the protectiveplug is removed and you are ready to shoot a target.

随意扣动扳机是非常危险的，只有打开保护塞准备射击目标时才把手指放在扳机上。

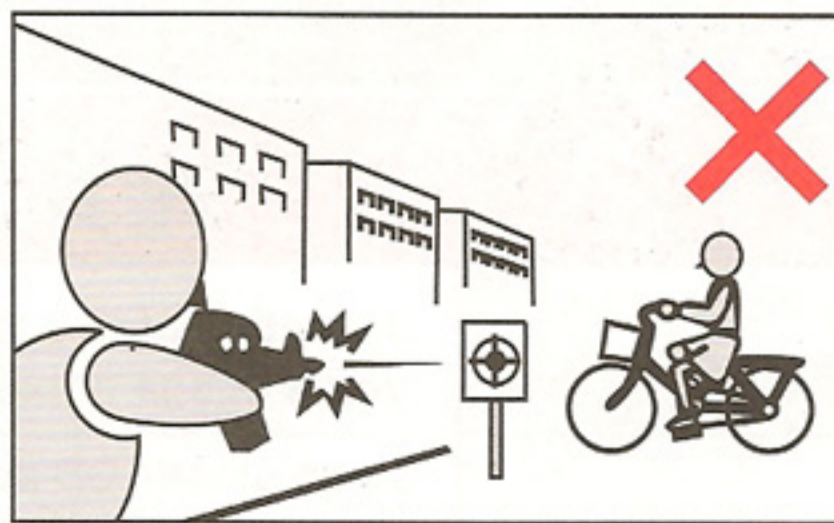
WARNING Never look into the gun muzzle. 禁止直接目视枪口



Looking into the muzzle is extremely dangerous,regardless of with or without bullets being installed,If a BB bullet hits your eye,you may,in the worst case, loose your sight.

无论是否有装子弹，直接看枪口是非常危险的，如果一粒BB子弹射击眼睛，最严重的情况可能导致失明。

WARNING Never shoot the air gun at places where people and cars pass cross. 禁止在人口密集处射击



Select a safe place for operating the air gun,avoiding places where people and cars pass cross or third persons are around.

选择安全的地方操作气枪，避免人口和车辆密集地段。

WARNING Always direct the muzzle towards a safe direction. 枪口应对准安全方向



Never direct the muzzle towards a person,animal or other dangerous directions.Always attach the protective plug,except when you are ready to shoot a target.

枪口禁止对向人、动物或其他危险方向。除了准备射击时，保护栓必须扣上

The operation procedure varies according to the model.Make sure to operate an air gun after recognizing its features.

操作程序根据模式而变化。操作气枪后要保证气枪回复原始状态。

We are not responsible for any accidents,events,injuries or repair costs arising from wrong operation and handing or by modification and disassembly of the gun.

对于错误所造成的意外、事故、受伤或维修费用，本司一概不负责。

Always read through this manual before operation.

You can experience unique feel of the air gun, which is a most suitable sport goods to improve your capacity to shoot BB bullets by 50 to 60 meters, careless shooting and wrong operation are below and observe rules and manners for pleasant sport shooting.

部位受伤的可能性, 所以请避免草率的射击和错误操作, 请务必通读警告条款, 遵守规则, 就能体验到射击运动的独特快乐!

more careless shooting and wrong operation are dangerous, causing eye damage or other injury.

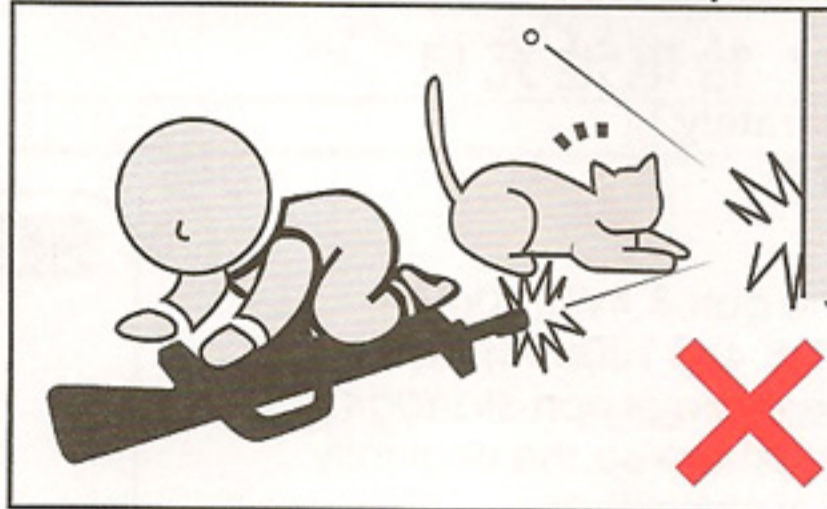
WARNING Always put the gun in a case or bag when you are carrying it. 把枪放入箱内或包内



When you carry the air gun, attach the protective plug, set the selector lever to the Safety position and put it in a case or bag.

把枪带在身边时, 要把保护塞扣上, 把选择杠调到安全位置, 并装入箱内或包内。

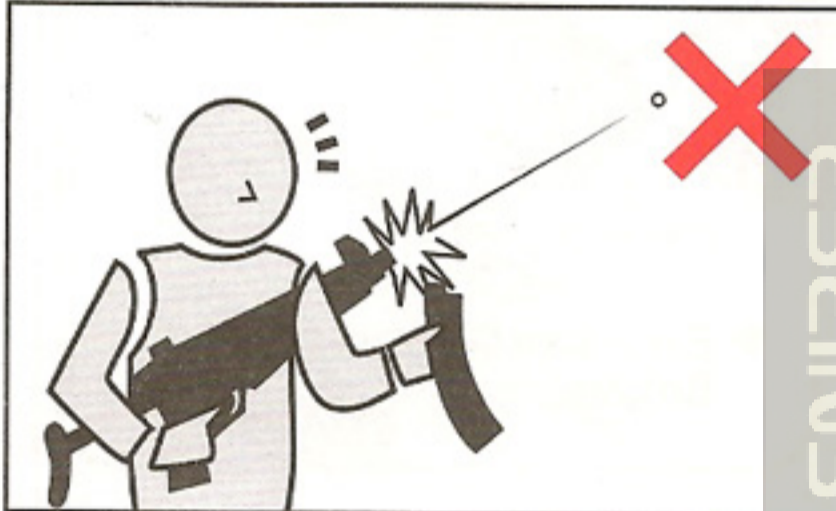
WARNING Store the air gun at places out of reach by children. 气枪放置地方应远离儿童



Always attach the protective plug to the muzzle, remove the battery and store the air gun in a case or bag and at a place out of reach by children so that they will not be injured during mischievous play.

为了避免受伤, 必须扣上保护塞, 取出电池, 并把气枪存放在儿童够不着的地方。

WARNING BB bullets may be shot out even if the magazine is removed. 即使取下弹匣, BB子弹仍有可能射出。



There are cases that bullets remain in the gun after the magazine is disconnected. Pulling the trigger carelessly is extremely dangerous. After removal of the magazine, direct the muzzle towards a safe direction and pull the trigger to confirm that no bullets remain in the gun. Then, attach the protective plug to the muzzle.

弹匣卸下后, 子弹仍有可能留在枪内, 草率扣动扳机是很危险的, 取下弹匣后, 把枪口朝向一个安全的方向射击以确定没有子弹留在枪内, 然后把保护塞扣上枪口。

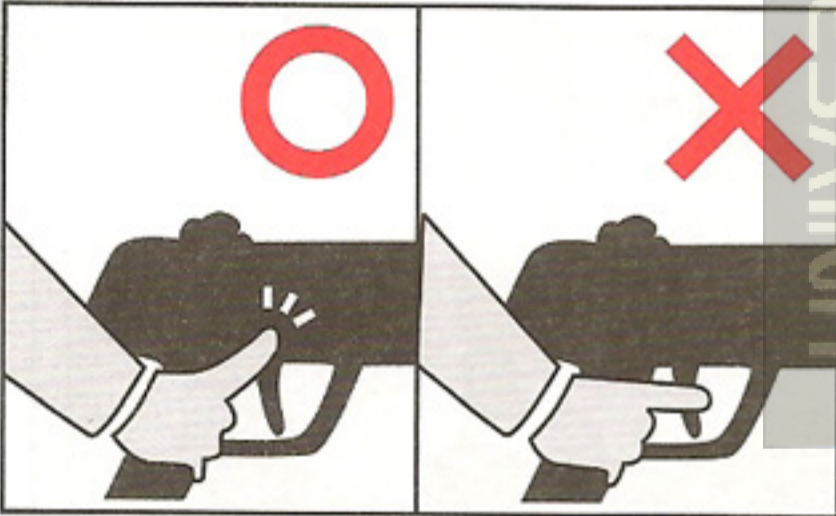
WARNING Always set the selector lever to the Safety position. 分离杠调至安全位置



① Set the selector lever to the Safety position. ② Remove the magazine. ③ Remove the battery from the air gun.

(1) 分离杠调至安全位置。
(2) 卸下弹匣。
(3) 取出气枪内的子弹。

WARNING Release put away your fingers from the trigger, except when you are ready to shoot a target. 停止射击时, 手指要放开扳机



Never put your fingers onto the trigger except when you are shooting a target. Maintaining your fingers on the trigger may cause sudden discharge for some reasons, which is dangerous.

只有当射击时才把手指放在扳机上, 手指停留在扳机上可能会因某些原因发射而导致危险。

WARNING Never disassemble or modify the air gun. 请勿擅自拆卸或重装此气枪。



This air gun is manufactured under consideration of appropriate performance and operability. Disassembling or modifying the gun may generate danger or adversely affect the performance. So, avoid disassembling or modifying the air gun.

这款气枪的制造基于合适的构想, 有良好的性能和运作, 擅自拆卸和重装气枪将会产生危险或对其性能有不利影响, 因此, 请勿擅自拆卸或重装此气枪。

WARNING

- This air gun is capable of shooting 6mm diameter, plastic BB bullets by 50 to 60 meters. Operate the air gun under consideration of the performance and paying attention to safety.
- During a game, always pay attention that persons without wearing goggles or third persons non-members of the game are not within the estimated dangerous zone.
- Never direct the muzzle towards items subject to damage (glass, lamp, household apparatus, tableware, furniture, car, gas bomb, etc.).
- Never insert foreign matter other than BB bullets into the magazine and gun barrel.
- Because of the design of the air gun, there are places subject to entanglement of your fingers. Pay attention not to entangle your fingers when operating the sliding type stock (expand type stock), the stock of folding stock or opening/closing the ejection port.
- When no bullets are shot out while the trigger is operated correctly as instructed in the HANDLING CAUTIONS AND INSTRUCTION MANUAL and malfunctions caused by expiration of the product life or drop of the gun occur, never attempt to repair by yourself, but to take a contact to your dealer or our after-service department.
- The air gun must not be operated after drinking to avoid possible danger.
- Avoid storing the air gun at places subject to drop or falling down. Always store it at places out of reach by children and after attaching the protective plug to the muzzle and putting it in a package, case or bag. If you lose the protective plug, contact us for a replacement part at cost. Make sure to inform us of the model of the model of your air gun.
- Make sure to store the HANDLING CAUTIONS AND INSTRUCTION MANUAL at a safe place. If you lose the manual, consult us for a replacement copy.
- Observe warnings and cautions of the manual for the battery exclusively used for this air gun. Never short circuit the battery intentionally to avoid firing or explosion.
- Always use the exclusive battery charger when charging the battery.
- Malfunctions of the motor, battery and switches will occur if you drop the gun into water or apply a large amount of water to it, causing faulty operation. In such an event, immediately stop operating the gun, remove the battery and consult our after service dept.
- When no bullets are shot out while the trigger is operated correctly as instructed in the HANDLING CAUTIONS AND INSTRUCTION MANUAL and malfunctions caused by expiration of the product life or drop of the gun occur, never attempt to repair by yourself, but to take a contact to your dealer or our after-service department.
- Our exclusive optional parts can be installed to the electrical air gun. Carefully read the respective instruction sheets provided with options.
- For this air gun, consumable parts must be replaced after normal operation of about 30,000 bullets. Operation after expiration of part lives causes malfunctions and danger because of faulty operation. Consult our after-service department for overhaul maintenance.

- 使用6mm口径塑料BB子弹, 气枪能达到50-60米的射程。使用气枪时, 请考虑其性能并注意安全。
- 游戏时, 请留意是否有未使用眼罩的人以及未参与游戏的第三方在预计危险范围内。● 禁止把枪口瞄准危险物品(玻璃、灯、家用电器、餐具、家私、汽车、煤气瓶等)。
- 除了BB子弹外, 禁止放其他物品入弹匣。● 由于气枪的设计, 有几个地方容易缠住手指, 开关滑动仓和射击口时, 注意手指不要被缠住。
- 当按照操作手册正确操作时发现没有子弹射出或者因为产品过期出现功能失效时, 请勿尝试自己修理, 请联系供应商或售后服务部。● 为了避免潜在危险, 禁止酒后操作气枪。
- 避免把枪存放在容易坠落的地方, 扣上保护塞并放置在包、箱、袋里, 远离儿童。如果保护装置松了, 联系我们替换零件, 确保通知我们时告诉我们你的气枪的型号。
- 确保把操作指导手册放于安全的地方, 一旦遗失, 请与我们联系索取副本。使用手册上指定的专用电池。为了避免着火或爆炸, 禁止故意令电池短路。
- 换电池时必须使用专用电池。
- 气枪掉进水里或大量的水渗入枪内, 马达、电池、开关可能会出现功能失效, 从而导致操作错误, 在这种情况下, 请立即停止使用, 取出电池并咨询我们的售后服务部。
- 当按照操作手册正确操作时发现没有子弹射出或者因为产品过期出现功能失效时, 请勿尝试自己修理, 请联系供应商或售后服务部。
- 我们专用的选用零件可以装上电子气枪。仔细阅读各个选用零件配备的说明书。
- 消耗零件在正常操作下使用大约30000粒子弹后必须更换。使用过期零件套由于错误操作导致功能不良和危险, 请咨询我们的售后服务部。



Read through this manual before shooting paying special attention for safe operation.
射击前请先阅读此手册, 注意安全操作

Shooting Instructor

- Thoroughly understand the warnings and cautions for safe operation.
* 请认真理解下面的警示, 做到安全操作



注意:

Always observe warnings and cautions strictly. Failing to do so may cause injury, accidents or damage to the gun.
请严格遵守使用规定, 否则将造成伤害或是枪支损伤。

1 Charging the Battery 给电池充电

(Battery and charger sold separately.)
(电池和充电器分开销售)

CAUTION 注意:

- Use the specified battery for the gun, 8.4V 1100mAh Hyper Command Battery (AK47) 8.4V, 1100mAh Hyper Command Battery (AK47S). Avoid use of non-standard or other brand name batteries. Otherwise, the originally designed functions will not be obtained.

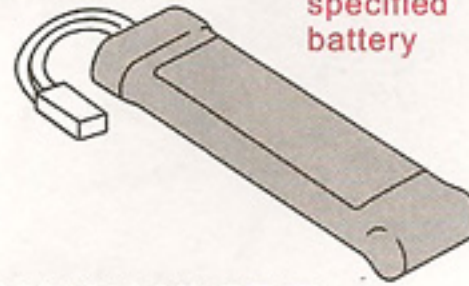
* 使用模型专用电池, 8.4V 1100mAh Hyper Command 电池 (AK47) 600mAh Hyper Command 电池 (AK47S) 请避免使用非标准或其他品牌的电池, 否则将达不到设计要求。

CAUTION The SD and Mini Batteries cannot be used.
注意: 不能使用SD 和Mini 电池。

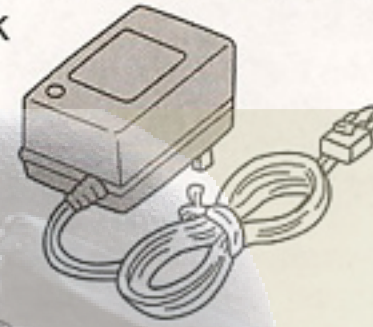
- Use the specified battery charger which is applicable to the above battery, The charger Exclusive Type or Speed Charger.
- * 使用上述电池专用充电器。
- The battery's capacity power is increased with use of the (battery) Discharger (Sold separately)
- * 使用电池放电器将使电池电力得到提升 (放电器单独销售)
- Use the correct battery and charger according to respective instruction manuals. We will not be held responsible for any accident or damage caused by wrongful operation usage of non-specified batteries.
- * 请根据使用手册的提示选用正确的电池。对于错误使用非专用电池所造成的伤害我们不负责任。

A47 USE

Use the specified battery



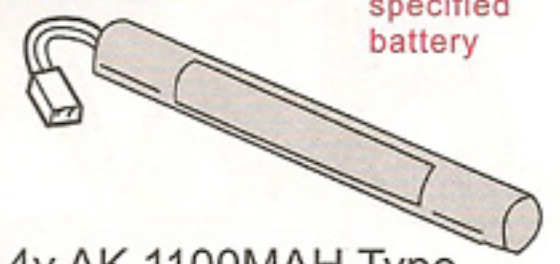
- 8.4v 1500MAH Ni-CD Battery pack



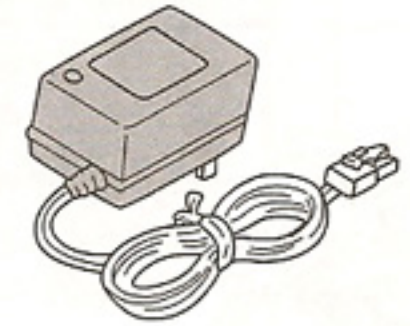
- Exclusive Charger for Ni-CD Battery Pack

A47S USE

Use the specified battery



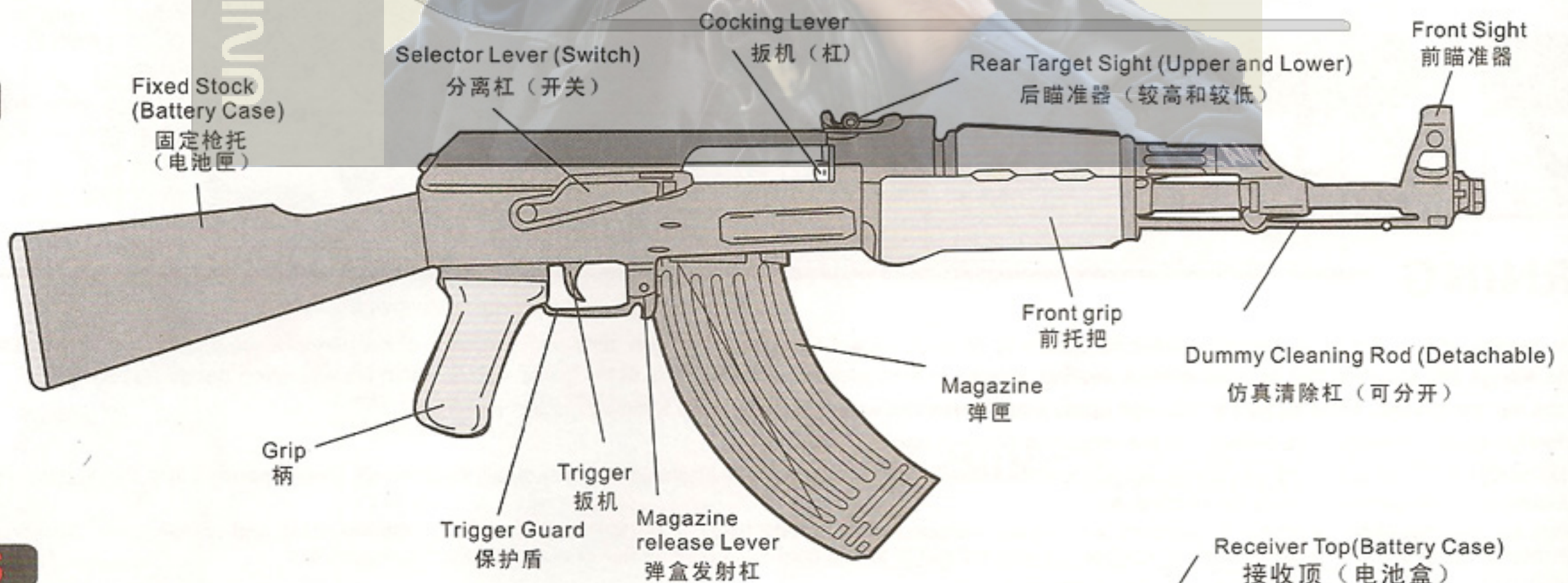
- 8.4v AK 1100MAH Type Mini Battery



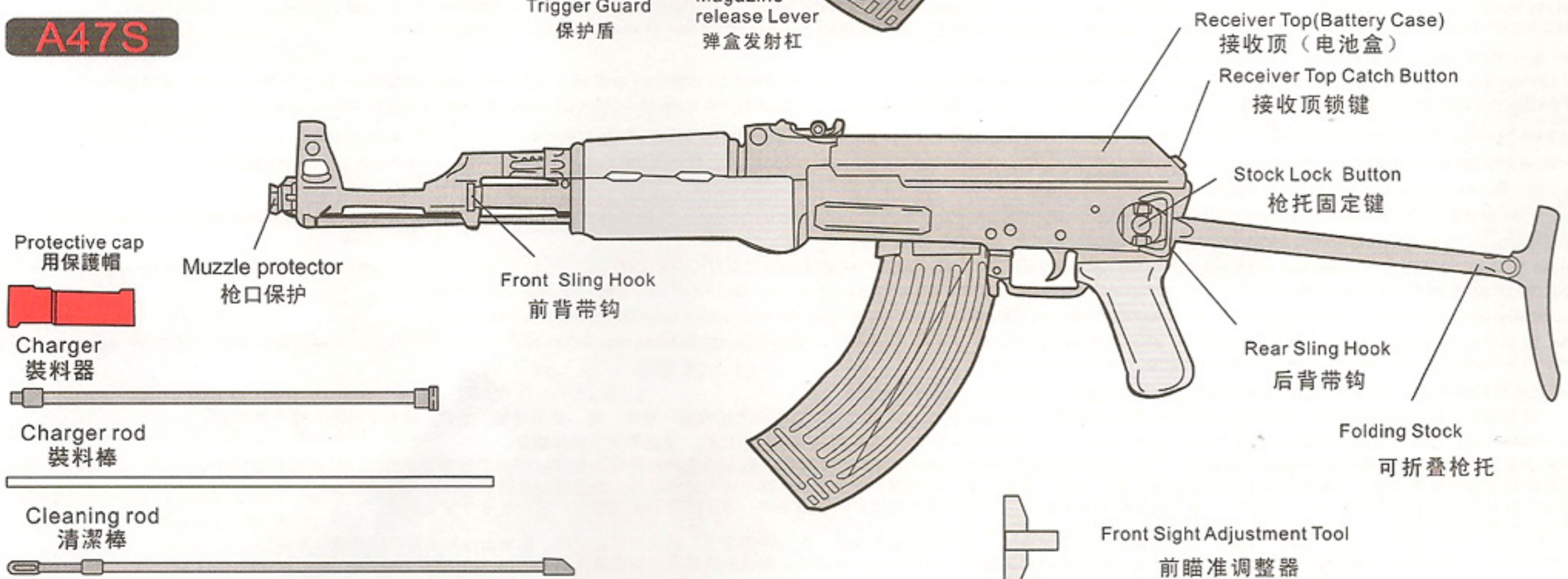
- Exclusive Charger for Mini Battery

2 Component Names (For details, see the following pages.) 各部件名称 (具体请参照下页)

A47

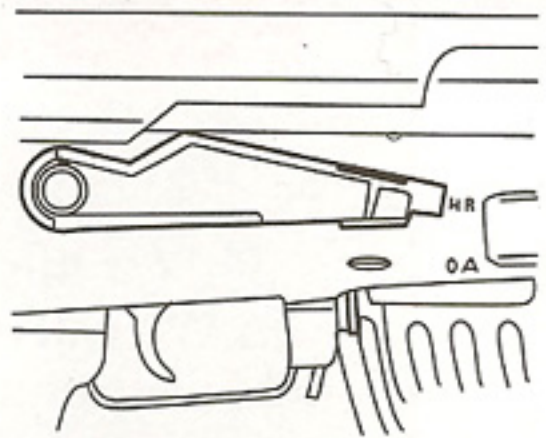


A47S



3 Selector Lever and Safety Setting 分离杠和安全设置

CAUTION Set the selector lever correctly in position; otherwise, malfunction may occur.
注意：正确设置分离杠位置，否则会出现故障。



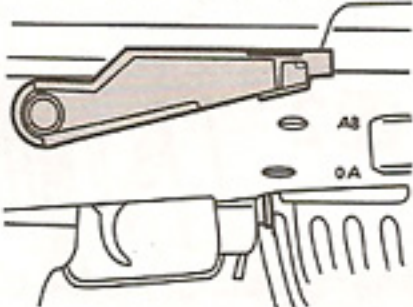
WARNING To prevent malfunction of the switch do not change the selector lever from semi to full auto while pulling the trigger.

为了避免开关故障，扣动扳机切勿把分离杠从半自动转换到全自动。

1 Safety Setting 安全设置

Always set the lever to the Safety position and attach the protective cap when you are not firing the gun or during storage.

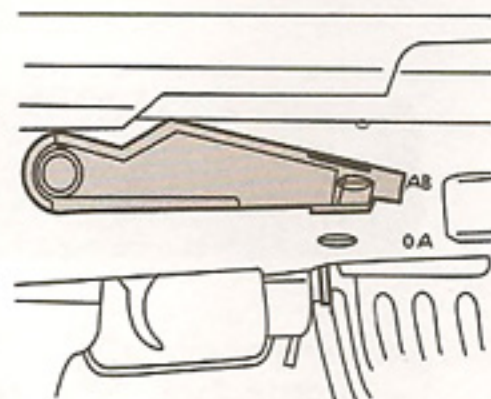
当停止射击或储存时，把分离杠设置于安全位置并扣沙锅内保护塞。



2 Full Auto (Automatic Firing) 全自动开火装置 (连击)

The gun will fire automatically while the trigger remains pulled.

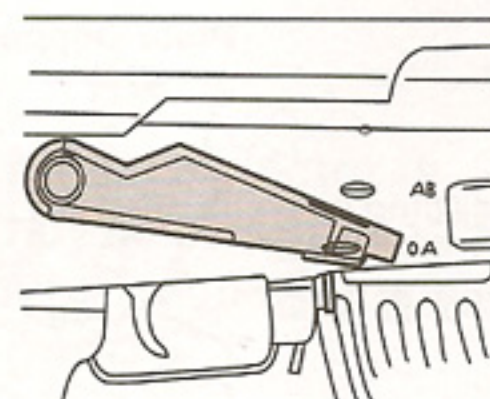
扳机保持按下状态时，气枪会自动开火。



3 Semi Auto (Single Shot) 半自动 (单击)

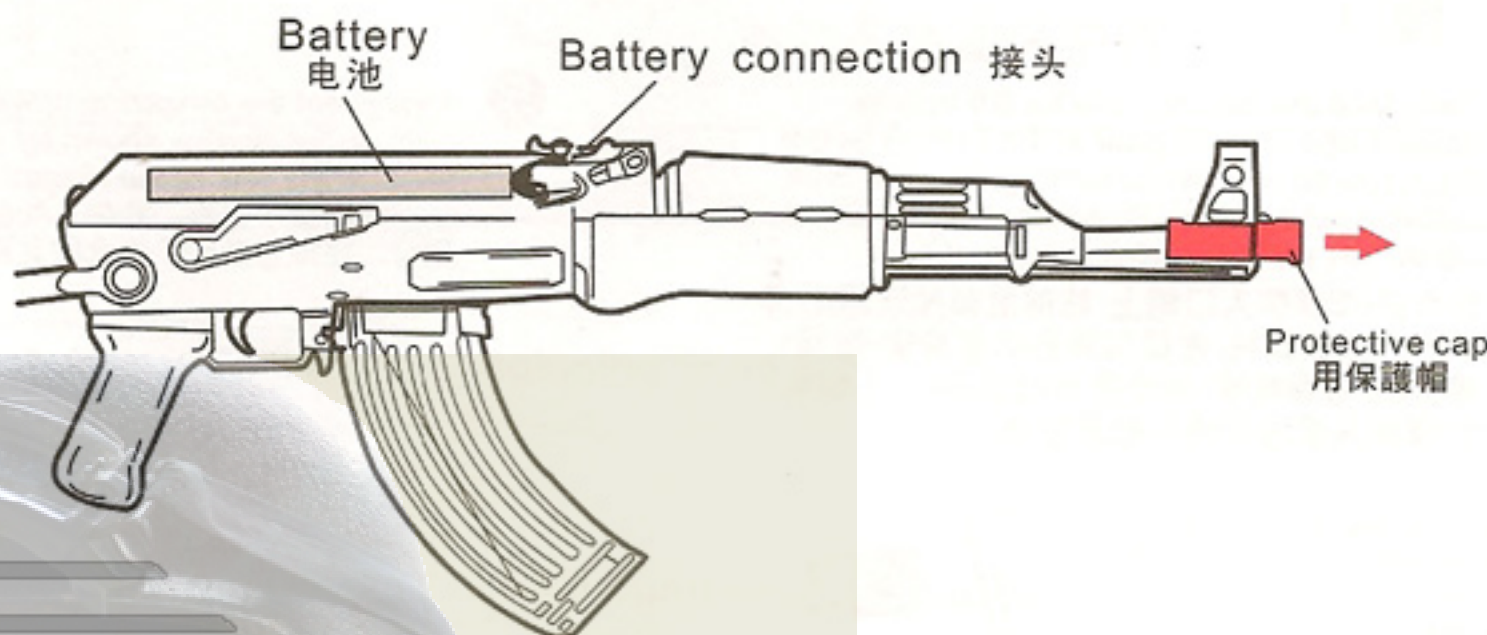
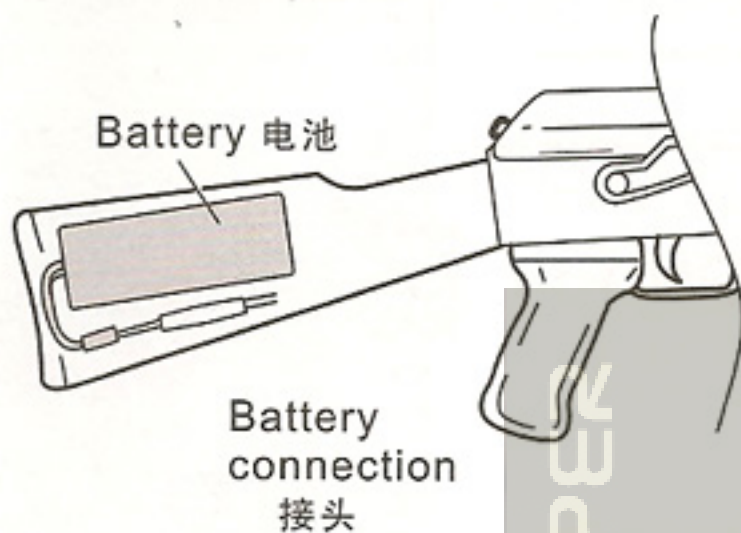
The gun will fire one shot each time the trigger is pulled.

每扣扳机一次，气枪射击一次。



4 Setting the Battery 电池安装 (充电后安装)

(Set the battery after charging.)



A47

A47S

Always use the exclusive A type battery (8.4V, 1100mAh) for the A47S.
使用专用A型电池 (8.4伏, 1100毫安)

1 Remove the receiver top from its rear while pressing the receiver top catch button.

按下枪盒顶部按钮，从后部卸下枪盒顶部。

2 Connect the battery to the cord that is accessible from the hole under the rear sight. Press in the battery with its protrusion facing to the left.

电池接上后端孔伸出的线，电池突出部分朝向电池左边，按下电池左边。

3 Store the battery in the receiver as shown. (Set the battery so that it does not protrude.)

如图所示，把电池储存在枪盒里。(电池不突出为安装完成)

2 Press the cord connector being connected in step (2) to the rear, with its nail facing down.

如步骤 (2)，线接口接到后面，钉子朝下，按下线接口。

1 Remove the butt plate by pressing it downwards and pull out the connector. (Do not pull out the fuse box.)

向下按并拔出接口，取出尾盘。(切勿拔出保险丝盒)

2 Insert the battery in the stock and connect connectors.

电池插入盒子，连上接口。

3 Press down the fuse box and insert connectors and cords between the fuse box and battery. Bend cords in the S shape.

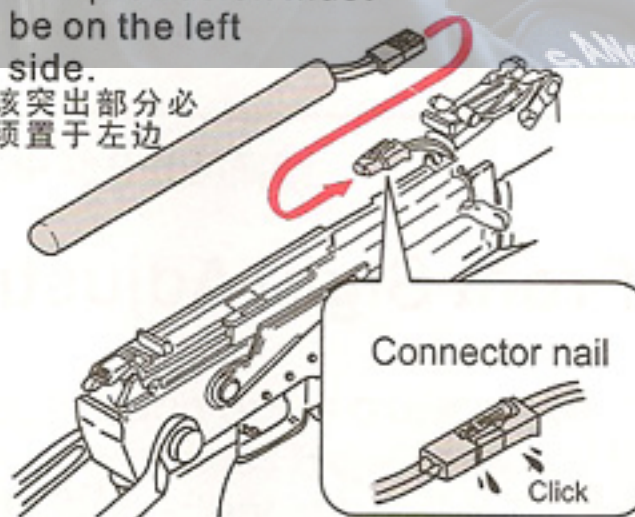
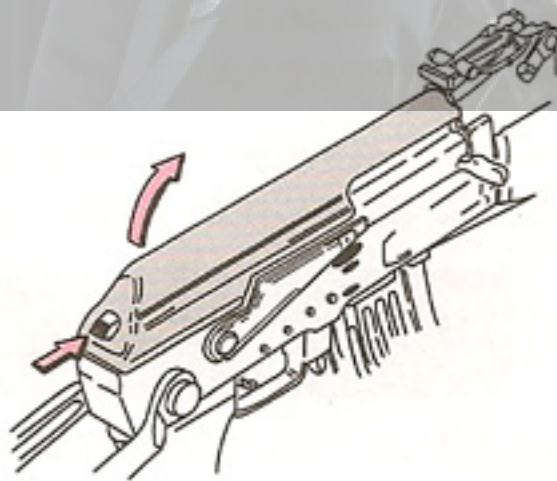
想下按保险丝盒，把接口和线插入保险丝盒和电池之间，把线弯曲成S形。

4 When the battery and cords are set in positions, reinstall the butt plate as shown.

电池和线安装好后，按图所示重新安装伪盘。

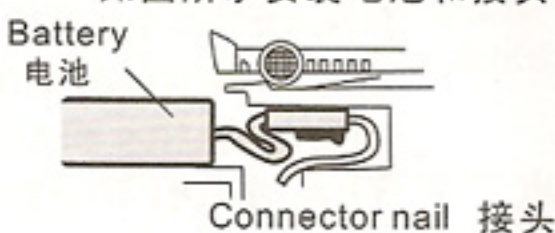
Battery Sectional View 电池装配视野

The protrusion must be on the left side.
该突出部分必须置于左边



CAUTION If the cord protrudes, the receiver top cannot be closed.
注意：如果线突出，枪盒顶部就不能合上。

Store the battery and connector as shown.
如图所示安装电池和接头。



For easy positioning, locate the battery cord under the connector.
为了方便安装，电池线放在接头下面。



CAUTION Pay attention so that the cord does not protrude out of the receiver. Forcing in the receiver top may damage the cord and, if the cord is protruding, the receiver top cannot be closed.
注意线不要露在枪盒外，线挤压在枪盒顶部导致线损坏，如果线外露，枪盒无法合上。

4 1 Reinstall the receiver top in the reverse order of removal procedure in step (1). Align the lead edge of receiver top to the groove under the rear sight and press in the rear of receiver top, aligning to the groove shown below.

按步骤1的卸枪盒程序的相反顺序重新安装枪盒，枪盒的边和槽边对齐，按枪盒后边。



CAUTION When receiver top is set correctly, the catch button ejects out.
当枪盒盖正确安装，按键会弹出。



5 Setting the Magazine 子弹仓安装

- 1 First, open the hatch at the top of the magazine and then load it with 600 BB bullets. (Never put into too many or too few bullets.)

首先請將子彈匣頂部的槍口打開，裝入大約600發BB彈。(請勿裝入過量或過少)

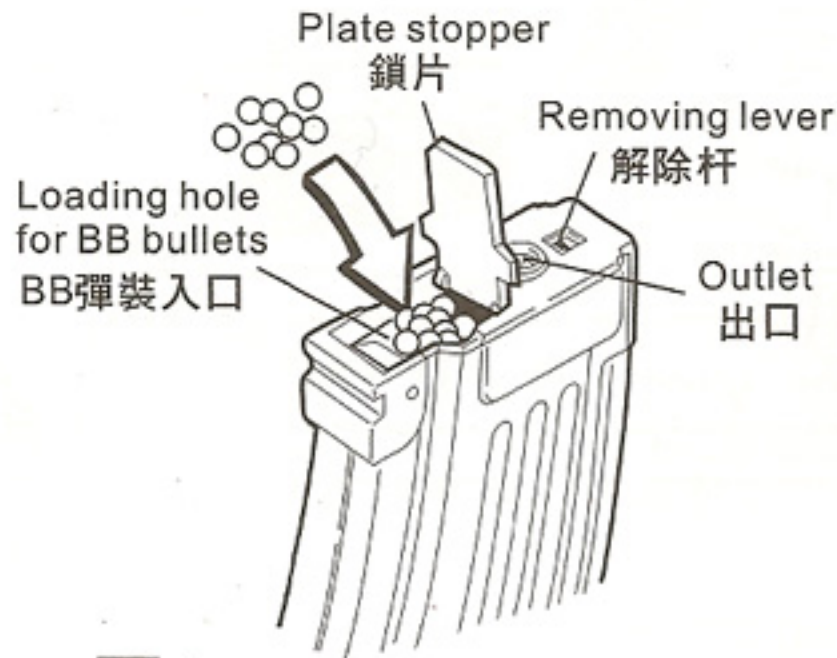


圖1

- 3 Then face the loading hole for BB bullets upward and turn the gear at the bottom as per the arrow shown. While turning, it will squeak until it cracks, that's OK. (It's only idling when BB bullets are insufficiently loaded.)

然後把BB彈裝入口朝上，底部齒輪按箭頭所示方向盡量旋轉，當聽到轉動的聲音從「吱吱」聲轉到「喀喀喀」聲時表示已經OK。(如果BB彈裝入量過少時只能是空轉。)

※Turn the gear until the sound is different. It means OK.
轉動齒輪直到轉動聲音起變化就表示OK。



※It will cause no malfunction even if you turn it to the full. 即使盡量轉動也不會出故障。

圖3

- 4 Face the outlet upward as illustrated in picture 1 and then put into the BB bullets. Check it again before it is connected to the gun.

把彈匣如圖1所示出口朝上，把BB彈裝入，確認無誤後再把彈匣安裝到槍體上。

- 2 Shut the hatch until it snaps. 關閉時會聽到BB彈槍口發出「啪嗒」一聲。

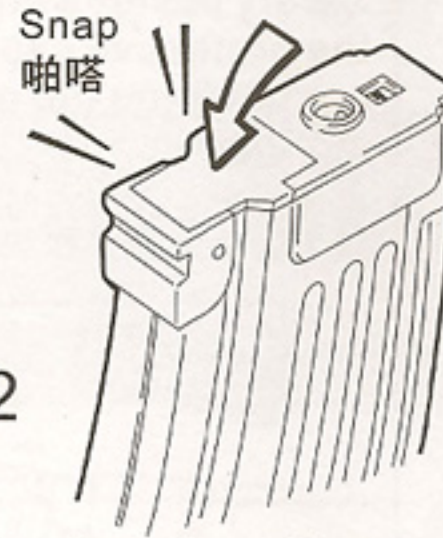
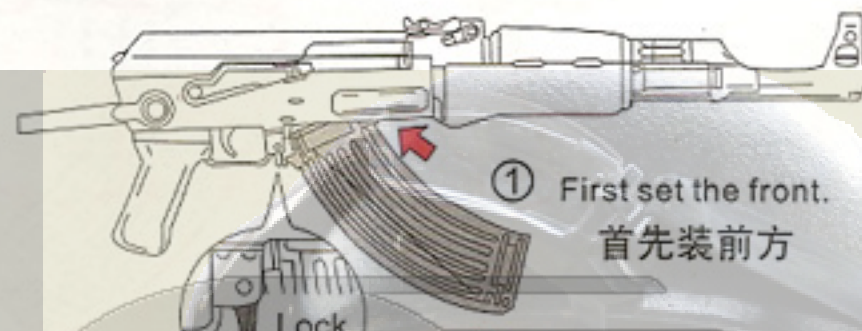


圖2

After shooting, please clean out all the bullets left in the barrel. Pull the removing lever to clean out all the bullets. (Do it twice for smooth operation)

射擊結束後，請將導管內剩余的子彈從子彈匣裡面倒出，拉一下圖1中所示解除杆倒出子彈。(2次以內操作可順利完成)

- 5 Always set the magazine upwardly. First, align to the groove shown by an arrow and press in the rear of the magazine. 從上方安裝子彈倉。首先，按箭頭所示對準槽位，並把它裝如子彈倉的後面。



朝扳機方向按下釋放鎖定

Because of the flex capacity of the spiral power spring, if you want to shoot 600 bullets, you must turn the gear for more than twice.

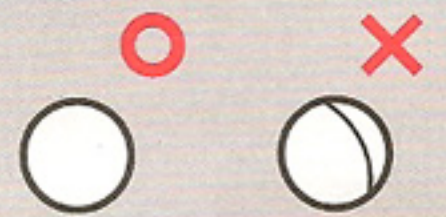
因發條的伸縮能力關係，如果要把600發子彈射完，必須轉動齒輪2次以上。

※Slightly turn the gear again to shoot the last 50-60 bullets left in the magazine. 稍微再轉動齒輪就可以把最后剩下的50-60發子彈順利發射出去。

Bullet stopper releasing lever 子彈塞入取出杆

Slide the lever in the arrow direction to remove remaining BB bullets. (Be careful since BB bullets may jump out.) 按箭頭方向滑動控制杆，取出射擊剩下的BB彈(注意不能飛出)。

BB Bullet (0.2g) BB bullet from another manufacturers

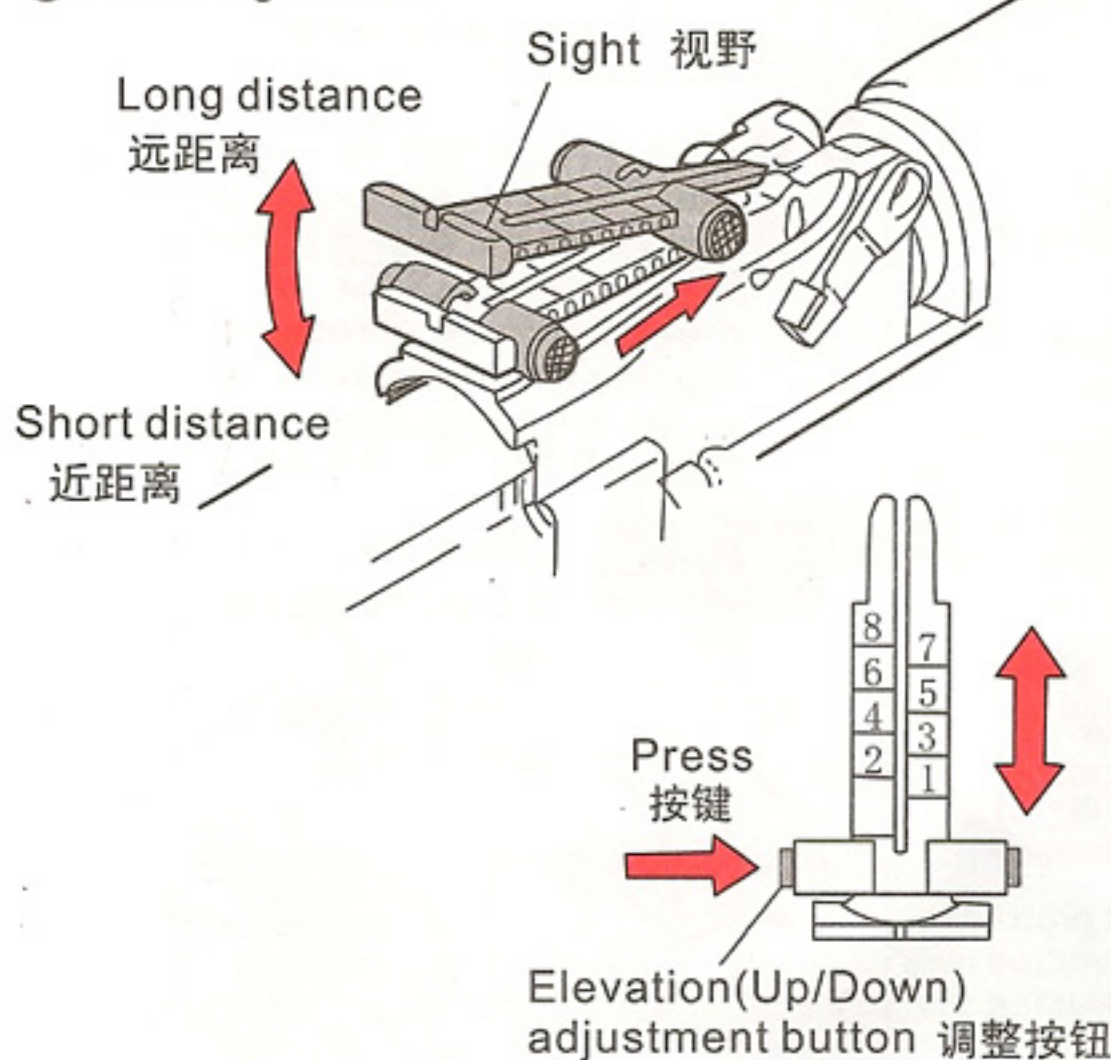


Always use the BB Bullet for this air gun. We will not be held responsible for any damage and accidents arising from use of bullets supplied by other manufacturers.

此气枪必须使用BB子弹，任何因使用别的厂家生产的子弹而引起的意外或破坏，我们一概不予负责。

6 Rear Sight and Front Sight Adjustments 后视和前视调整

- Rear sight 后视



The A47 series rear sight is a tangent type which is adjusted vertically according to distance to the target.

A47系列气枪的后视属于相对独立的类型。它是根据目标的距离垂直方向调整的。

Press the adjust button and slide it forward or backward to move the sight up or down. The larger the number, the longer the distance to the target.

按下调整按钮向前或向后滑动以调整视野，数字越大，距离目标越远。

Insert the front sight adjustment tool in the front sight and turn it for adjustment. 将前准星调节器插入前准星并转动调整。



Counterclockwise: lower sight point 逆时针转动: 调低瞄准点

Clockwise: higher sight point 顺时针转动: 调高瞄准点

CAUTION Be careful so as not to lose the adjustment tool. 注意不要遗失调节器。

7 Movable Parts 可移动零件



WARNING

- Be careful so as not to catch your fingers in the movable parts.
警告：切勿把手指卡在可移动零件中。

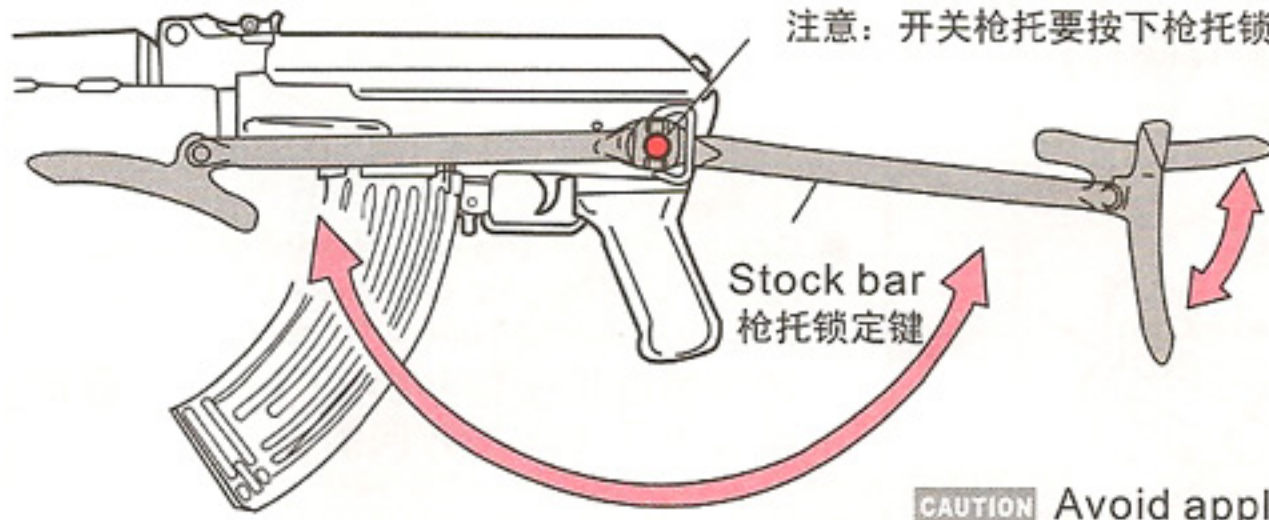
with the A47S, the stock can be stored by folding it under the gun.

A47S 类型气枪的可以折叠放置在枪下方

CAUTION

Always press the stock lock button to open or close the stock.

注意：开关枪托要按下枪托锁定键



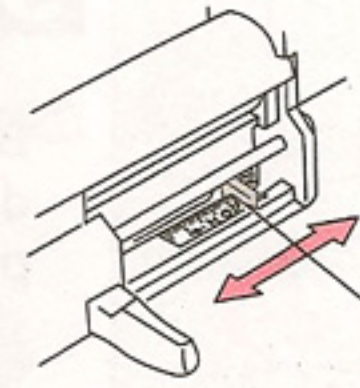
Stock bar
枪托锁定键

CAUTION

Avoid applying excessive force to the stock bar.

注意：避免重力压在枪托上。

The cocking lever can be moved.
扳机杠是可移动的

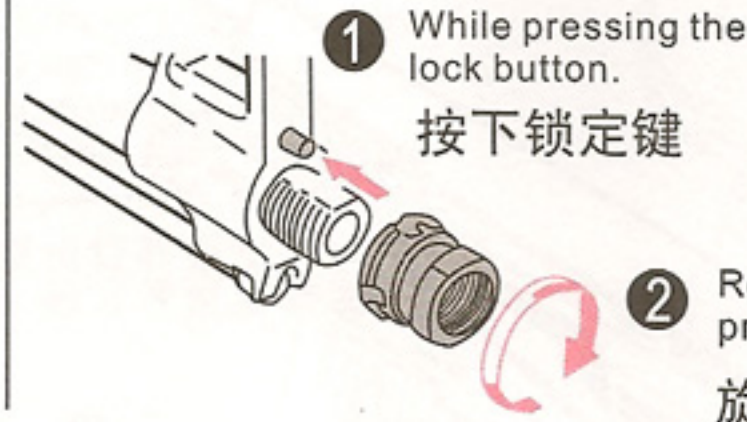


Variable hop-up adjustment lever
可变化的跳动调整杠

Removal of Multi Protector 多功能保护器的拆卸

The Multi protector is fixed by reverse thread as in the case of the real gun.

与真枪一样，多功能保护器是用反向线固定的。



1 While pressing the lock button.
按下锁定键

2 Remove by turning the multi protector.

旋转多功能保护器

CAUTION

- There are possible cases that no firing occurs after pulling the trigger in the semi auto mode. In this case, do not pull the trigger furiously. Fire 5 to 6 shots in the full auto mode and then return to the auto operation.

半自动开火设置状态下，可能会出现扣动扳机后不能开火的情况。在这种情况下，请勿使劲扣动扳机。设置全自动状态下，射击5-6下然后返回自动操作。

CAUTION

- Smell may be generated from the motor for a while when a new air gun is operated, this is the normal operation of the gun.

当新枪刚操作时，发动机可能会散发气味，这属于正常现象。

CAUTION

- The hopping up operation maybe unstable for 200 to 300 rounds after using silicone oil, this is the normal operation of the gun.

在使用硅油后，可能会200-300轮射击中跳跃操作会出现不稳定现象，这属于正常现象。

8

FIRING

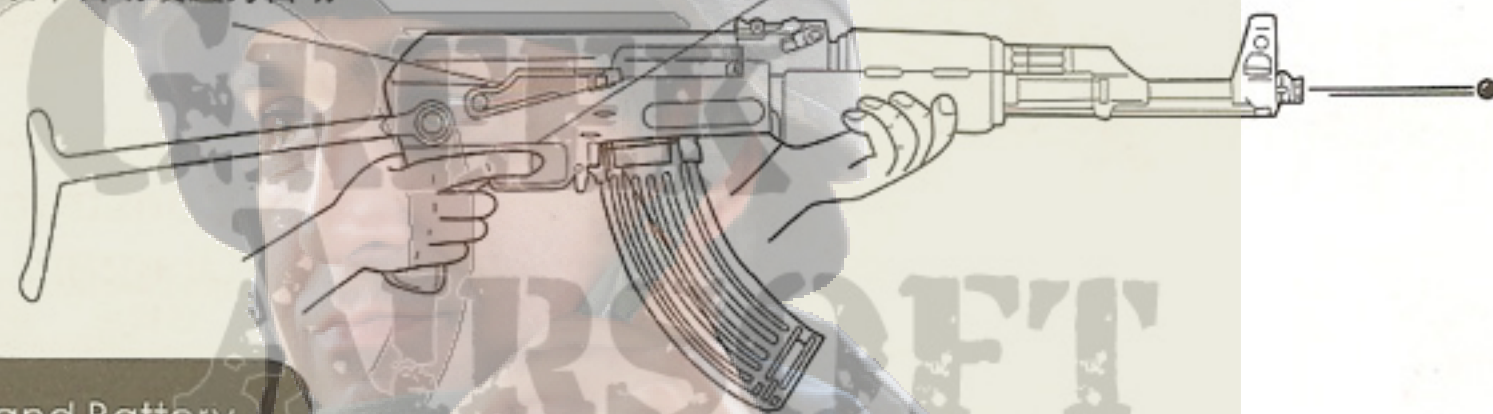
(Confirm your shooting area is safe before beginning firing.)

开火

(开火前确保射击地方是安全的)

1 Set the selector lever to Semi or Full Auto.
把分离杠从半自动设置为自动

2 Pull the trigger. 扣扳机



Cautions on Motor and Battery 发动机和电池使用注意事项

- Charge the battery if the firing cycle becomes slow.
- Give the air gun a rest for 5 to 10 minutes after firing about 500 rounds, in order to ensure long service lives of the motor and battery.
- 当开火速度变慢，请充电。
- 为了确保发动机和电池的寿命，在开火500轮后，给气枪5-10分钟的间歇。

CAUTION

A blank firing may occur at triggering after setting the magazine, this is the normal operation of the gun.

设置弹盒后扣动扳机出现空弹射击，是属于枪的正常情况

When Bullets Are Clogged 子弹堵塞

- If bullets are clogged, remove them (see 11 2 on page 8) and apply a few drops of silicone oil into the chamber from the magazine entrance as shown or spray silicone oil for 0.5 to 1 sec, to obtain smooth continuous firing. (never use CRC-556 or other mineral mineral oil)
- 如果子弹堵塞，卸下（请见第8页11步第2项）子弹并从子弹仓入口处滴几滴硅油或者喷硅油喷雾0.5到1秒，（不要使用CRC-556 或其他的矿物矿物油）

After Operation 使用

- Remove the magazine and dry fire a gun in the semi auto mode directing the muzzle to a safe direction. (Otherwise, the spring may be weakened.) Set the selector to the Safe position.
- Bullets may remain in the chamber even if the magazine contains no bullets (or it the magazine is not connected). (Two or three bullets may drop from the magazine, this is the normal operation of the gun.)
- 卸下子弹仓，把设置为半自动模式的枪口朝向安全方向。（否则，弹跳想可能会减弱）把分离杠调至安全位置。
- 即使子弹仓里没有子弹，或者子弹仓已拆卸，仍然可能有子弹留在枪内。（有2-3粒BB子弹从子弹仓掉出属于正常现象）。



Silicone oil spray
硅油喷雾

Always use the genuine 0.29 BB bullet for Electric Gun.

电子枪使用正牌0.2g BB子弹



- If the hop-up is adjusted excessively causing clogging of bullets, immediately stop operating the gun, return the lever to Normal, fire 2 or 3 shots and readjust.

如果跳跃调整不当会导致子弹堵塞,立即停止使用,把调整杠恢复到正常状态,开2-3枪然后重新调整。



- Since a precision tight barrel is used, use of dirty bullets or those with burrs causes clogging of bullets and possible fatal damage to the mechanical box and system.

由于枪管的精细性,使用脏子弹或爆裂的子弹会导致子弹堵塞,甚至可能导致机器盒和系统的损坏。



- Never hold the gun sideways as the BB bullets will carve right or left. This is due to the HOP-UP system.

禁止在人行道玩枪,由于跳跃系统BB子弹可能会偏向左或右边。



9 Variable Hop Up System

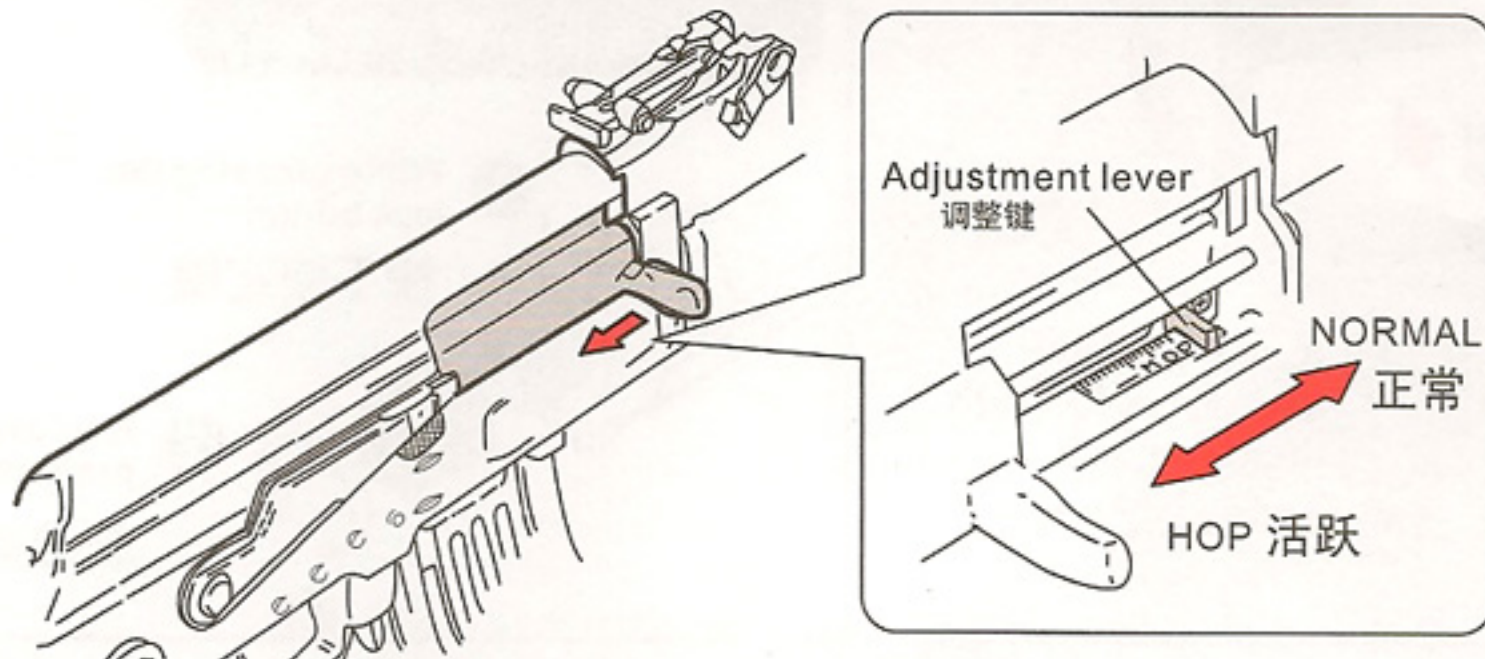
跳跃系统的易变性

(Make sure to read through this page if you purchased the hop-up version.) (如果购买跳跃版本,请务必仔细阅读此页)

By producing a back-spin on the BB bullets, this system allows for straighter and longer distance shooting than normal air guns. Unlike the fixed type, the variable hop up system permits one-touch adjustments using the dial and lever, making it an ideal hop up system. 这个系统的应用使它比一般气枪射击更远距离。与固定类型不同,跳跃系统的不稳定能够用按键和杠杆调整,使它成为理想的跳跃系统。

- ▶ Adjustment Procedure (Adjust by carrying our trial firing, referring to 8 on page 6 of the instruction manual.)

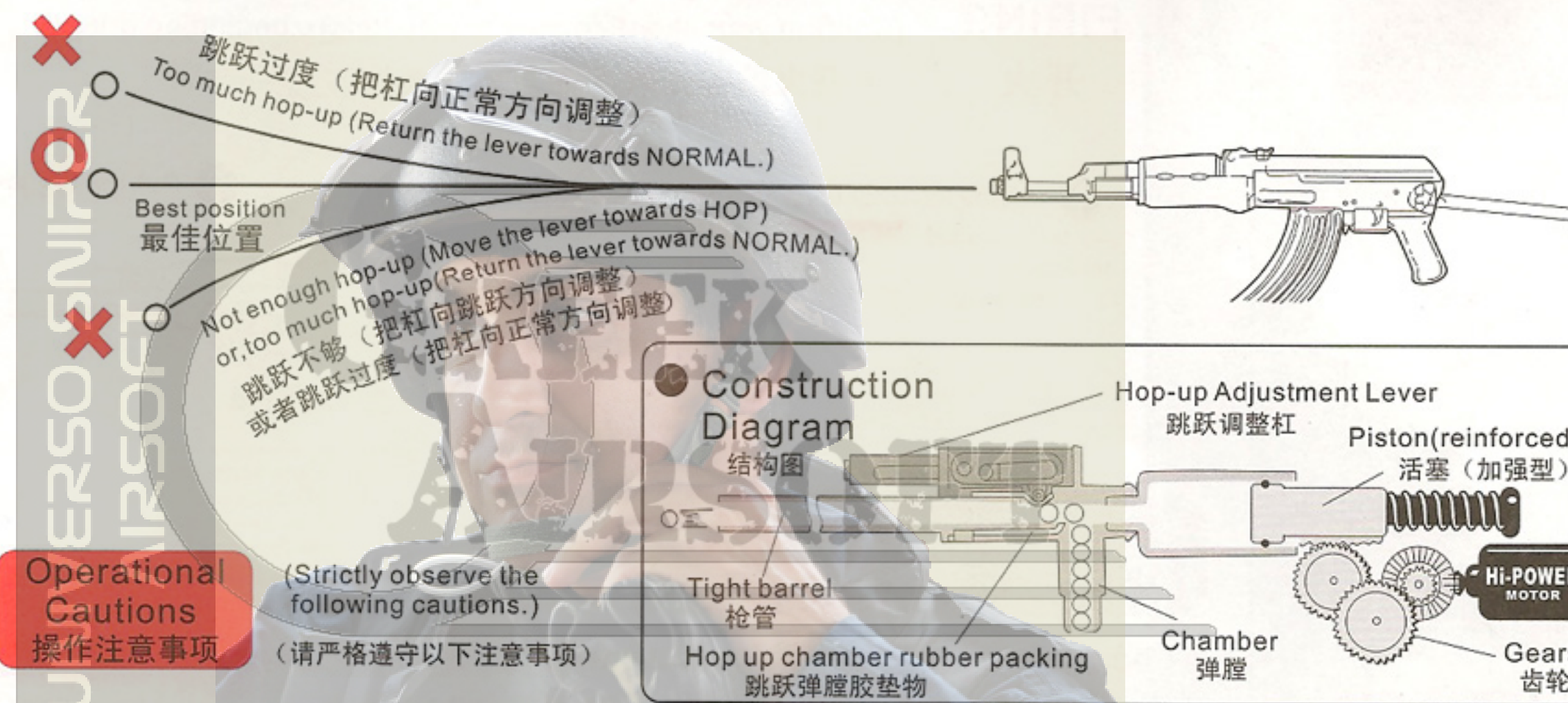
调整步骤 (参照操作手册第6页第8步调整试验开火)



- Gradually turn the adjustment dial towards Hop to give hop up to bullets. (The best setting is where bullets fly horizontally.) 把调整键慢慢移向跳跃方向。(最佳设置为子弹水平方向射出)

- Turning excessively adversely affects the trajectory. So, stop turning the dial when bullets fly horizontally. 调整不当会对弹道产生不利影响,所以当子弹水平方向飞行时停止调整按钮。

- The best position is where the bullets fly horizontally, and the longest flying distance is obtained. 最佳位置是子弹水平方向射出,此位置能使子弹达到最远射程。



Operational Cautions

(Strictly observe the following cautions.) (请严格遵守以下注意事项)

- Moving the lever too much towards HOP causes bullets to clog. Firing the gun with clogged bullets damages the piston and gears.
- If bullet clogging occurs, immediately stop firing the gun, return the hop lever to the Normal position and remove clogged bullets using the cleaning rod. (See 2 on page 8.)
- Make sure to return the hop lever to the Normal position when removing clogged bullets or cleaning. (Otherwise, the chamber packing will be damaged.)
- Never use used or dirty bullets. (Otherwise, the chamber becomes dirty, resulting in unstable hopping up.)
- When about 10,000 rounds are fired, spray silicone oil into the chamber for 0.5 to 1 sec. (See 11 on page 8. The hopping up operation may be unstable for 200 to 300 rounds after spraying the silicone oil, this is the normal operation of the gun.)
- We will not be held responsible for any damage or accidents arising from wrongful operation, disassembly and modification of the air gun. Any costs for repair of such damage shall be paid by the user.

- 调整杠过度调向跳跃方向会导致子弹堵塞,子弹堵塞的情况下开火会导致活塞和齿轮的损坏。
- 如果子弹堵塞,请立即停止,把跳跃杠调至正常位置,用清洁棒取出堵塞子弹。(详见第8页第11步第2项)
- 取出堵塞子弹或清洁后,请确保把杠调回正常位置。(否则,弹膛垫物会受损)
- 不要重复使用子弹和使用脏子弹。(否则,弹膛会变脏,从而导致跳跃的不稳定)
- 射击大约10000轮后,用硅油喷弹膛0.5-1秒。(详见第8页第11步,在喷硅油后,200-300轮射击的跳跃操作会不稳定,这属于正常现象)
- 由于错误操作、重组装或改装气枪所引起的损坏或意外,我们一概不予负责,所有由此产生的维修费用由用户自行承担。

10 When Hopping Up is Improper 跳跃不正常现象

Symptom 症状	Cause 原因	Action 措施
Bullets flying upwards 子弹向上飞	Too much hop setting 跳跃设置过多	Gradually return hop lever towards Normal. 把跳跃杠慢慢调向正常方向
Short flying distance of bullets (less hopping up effect) 子弹飞行距离短(短于跳跃应有效果)	Too much hop setting 跳跃设置过多	Gradually return hop lever towards Normal. 把跳跃杠慢慢调向正常方向
	Hop packing contaminated by oil or dirt 跳跃垫物被油或脏物污染	Fire bullets equivalent to 4 to 5 magazines or clean the chamber using cleaning rod. 射4-5弹匣子弹或者用清洁棒清洁弹膛
	Worn or damaged hop packing 跳跃垫物磨损或损坏	Purchase the replacement part at your dealer or from Marui and replace it. 从代理商处购买替换零件并替换

Symptom 症状	Cause 原因	Action 措施
Cannot adjust 无法调整	Damaged adjustment lever or other parts 调整杠或其他零件损坏	Purchase the necessary replacement part at your dealer or repair. 从代理商处购买替换零件并替换
Frequent bullet clogging 经常性子弹堵塞	Too much hop setting 跳跃设置过多	Gradually return hop lever towards normal. 把跳跃杠慢慢调向正常方向
	Hop packing contaminated by oil or dirt 跳跃垫物被油或脏物污染	Use the BB Bullet for Electric Gun. 使用BB弹
	Worn or damaged hop packing 跳跃垫物磨损或损坏	Clean using the cleaning rod or consult your dealer or repair. 用清洁棒清洁弹膛

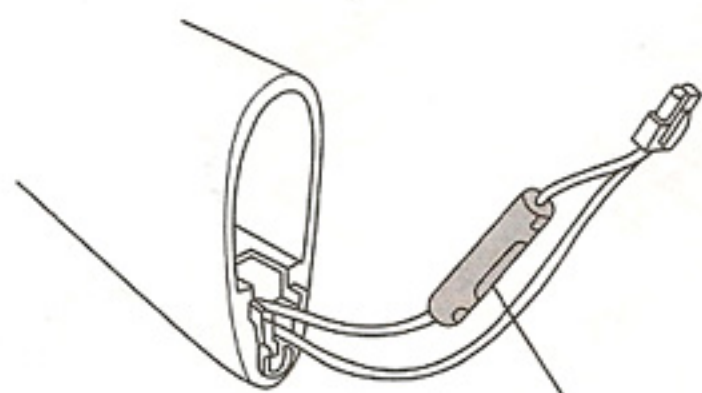
11 Maintenance 维护

1. Fuse replacement procedure

保险丝更换步骤

The fuse box comes out when the connectors are pulled out the stock.

将连接器取出枪托后，即可取出保险丝盒。



Fuse box (when fuse is replaced push into the stock all the way.)

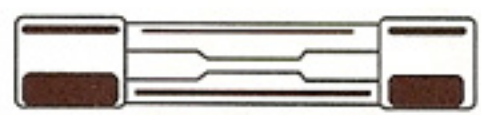
保险丝盒（更换保险丝时，要一直推动枪托。

<Glass tube fuse>

玻璃管式保险丝

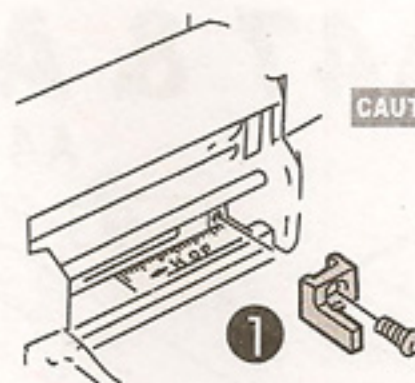
You can buy it at a near-by electric shop
可以在附近的电子商店购买

15A fuse common for electric gun series
适用于电动枪的普通15安保险丝



A47S

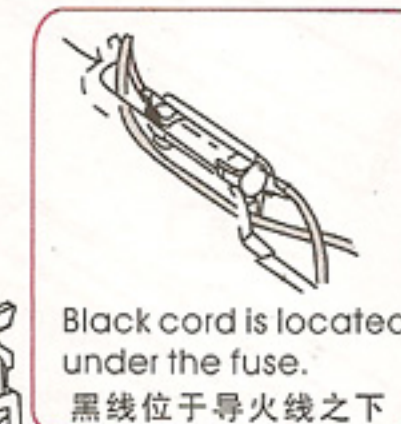
- 1 Remove the hop lever.
卸下跳跃杠
- 2 Remove the screw shown in the battery storage figure.
卸下电池放置区的螺丝
- 3 Remove the shaft from the receiver top catch button and set to the up-right position.
从枪筒顶部按键卸下轴，调整为向上位置。
- 4 Remove the cocking lever and battery storing section by sliding them to the rear. Since the engagement is in the wedge shape, carefully assemble after fuse replacement.
向左滑动卸下扳机杠和电池。由于交线是楔形状，导火线重置时要小心组合。



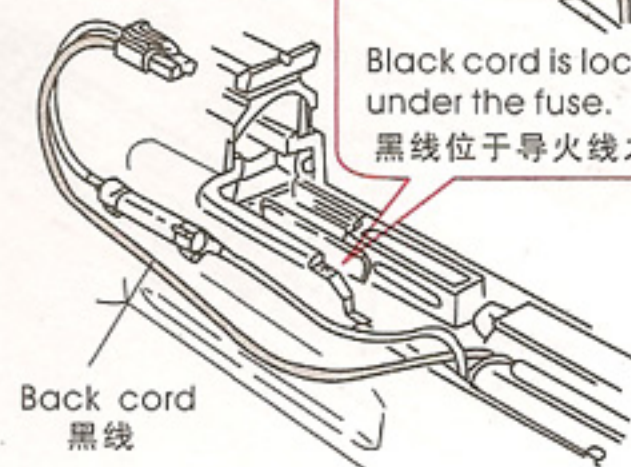
CAUTION

Be careful so as not to loosen small parts. Carefully loosen and tighten the screw so as not to damage the thread.

留意小零件的松动，为了避免线受损，小心松开或拧紧螺丝。



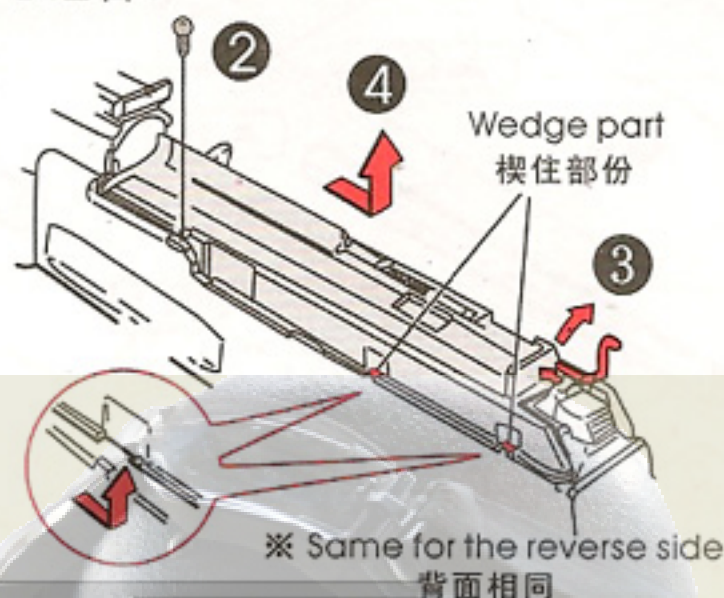
Black cord is located under the fuse.
黑线位于导火线之下



Back cord
黑线

※ When installing the fuse, insert the black cord first and then the fuse with the fuse terminal mount facing outwards.

安装导火线时，首先插入黑线，然后将有末端底座的导火线朝上



Wedge part
楔住部份

※ Same for the reverse side
背面相同

2. Removing Clogged Bullets

拆卸堵塞子弹

- 1 Insert the cleaning rod from the lead edge of the barrel.
从枪管的铅边缘插入清洁棒。

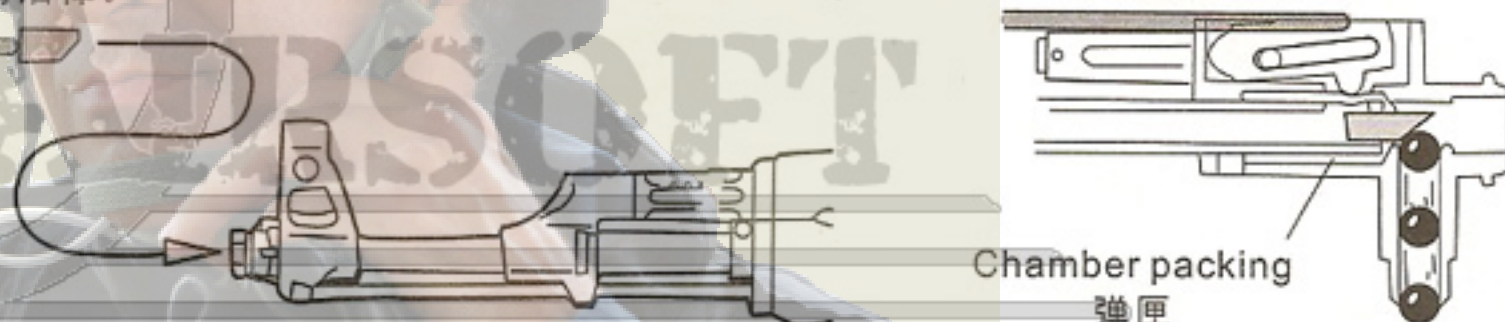
CAUTION The dummy cleaning rod attached to the gun cannot be used for the clogging bullet clearing purpose.

注意：附在气枪撒谎能够的清洁棒模型不能用于清除堵塞子弹用途。



- 2 Make sure to insert the cleaning rod AFTER returning the hop up lever to the Normal position. (Hop-OFF)
确保跳跃调整杠恢复到正常位置才能插入清洁棒。

- 2 Be careful so that the angled part of the cleaning rod faces down, and remove clogged bullets.
确保清洁棒的角部分向下，并清除堵塞子弹。

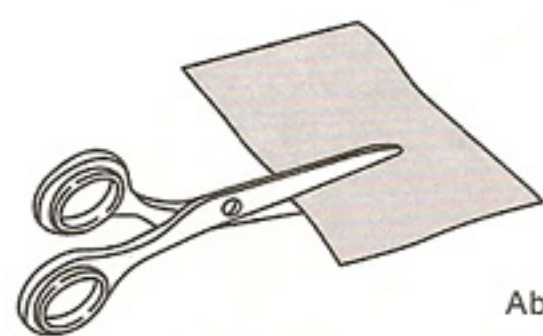


Chamber packing
弹匣

3. Maintenance when Bullet Speed Becomes Low

在子弹速度为低速时的维护

Cut the cotton to the size shown. Adjust the length accordingly so that it can be inserted smoothly into the barrel.



Cotton cloth
棉布

About 10mm wide
宽约10mm

About 25-30mm long
长约25-30mm

Cut it before winding
剪切后进行缠绕

Hold at the leading end of the rod and insert the rod into the barrel while turning the rod.

CAUTION Inserting the rod will be difficult if you hold rod at the end.

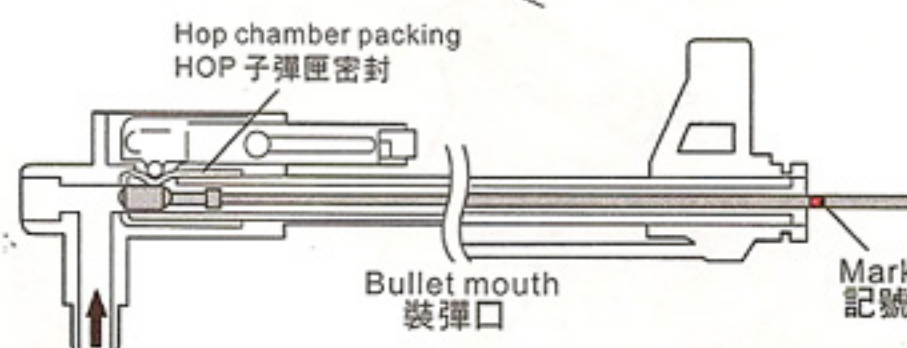
注意 如果您手握通条的末端可能很难将通条插进去。



Make sure to insert the cleaning rod AFTER returning the hop up lever to the Normal position. (Hop-OFF)

确信在将上跳标度盘返回至正常(NORMAL) (开启)位置后插入通条。

Since the chamber is a precision component, avoid use of used BB bullets.



Hop chamber packing
HOP子彈匣密封

Bullet mouth
裝彈口

Mark
記號

Spray a few drops of silicon oil or Teflon oil.
用一滴硅油或者特氟龍油滴上。

- 1 Drop a few drops of silicone oil or Teflon oil from the bullet entrance. Insert BB bullets into the magazine and fire bullets equivalent to 1 or 2 magazines.
在子弹入口处滴上几滴硅油或特氟龍油。将BB子弹插入弹盒并射擊1到2弹盒的子弹。
- 2 To complete the cleaning, use the cleaning rod (with cotton) as shown below, to remove excess oil.
为完成清潔，采用如下所示的通条（带有棉球），以除去多余的油分。

4. Fine Adjustment of Gear Engagement

齒輪啮合精密調節

CAUTION Only when the motor noise becomes high after operations for a long period of time, conduct the fine adjustment as shown.

注意 只有在操作較長時間后馬達的噪音變得非常大時才可按照如圖所示進行精密調節。

(Do not hold by the grip during adjustment. Otherwise, the main body will drop since the grip set screw is removed.)



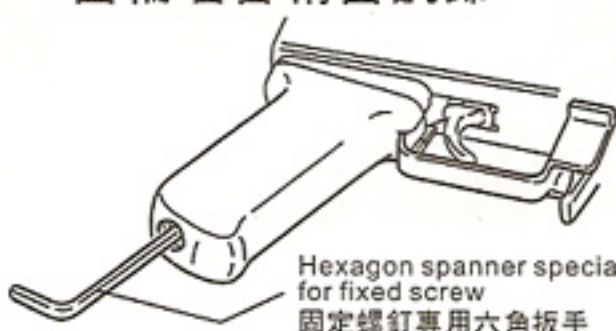
It is recommended to lock the adjustment screw by a screw locking agent or instantaneous adhesive after adjustment of the motor position is complete.

建议在完成马达位置的调节后利用螺丝制动结构或快速粘附剂锁住调节螺钉。

Normally, do not attempt to adjust.
在通常情况下，不要尝试进行调节。

Be careful as not to overly tighten the screw as it will damage the gun.

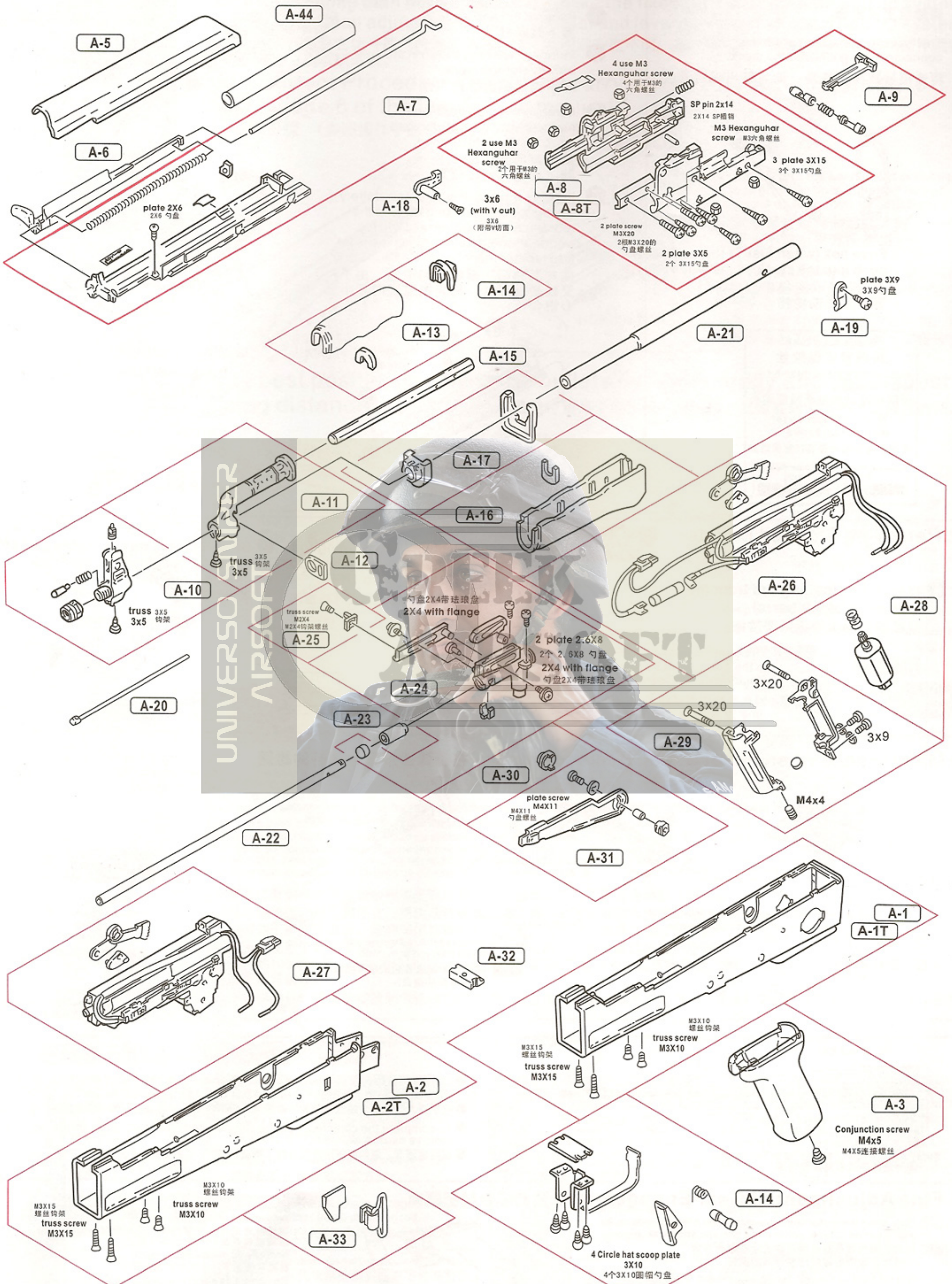
注意不要过度拧紧螺丝钉，因为这会损害该枪。

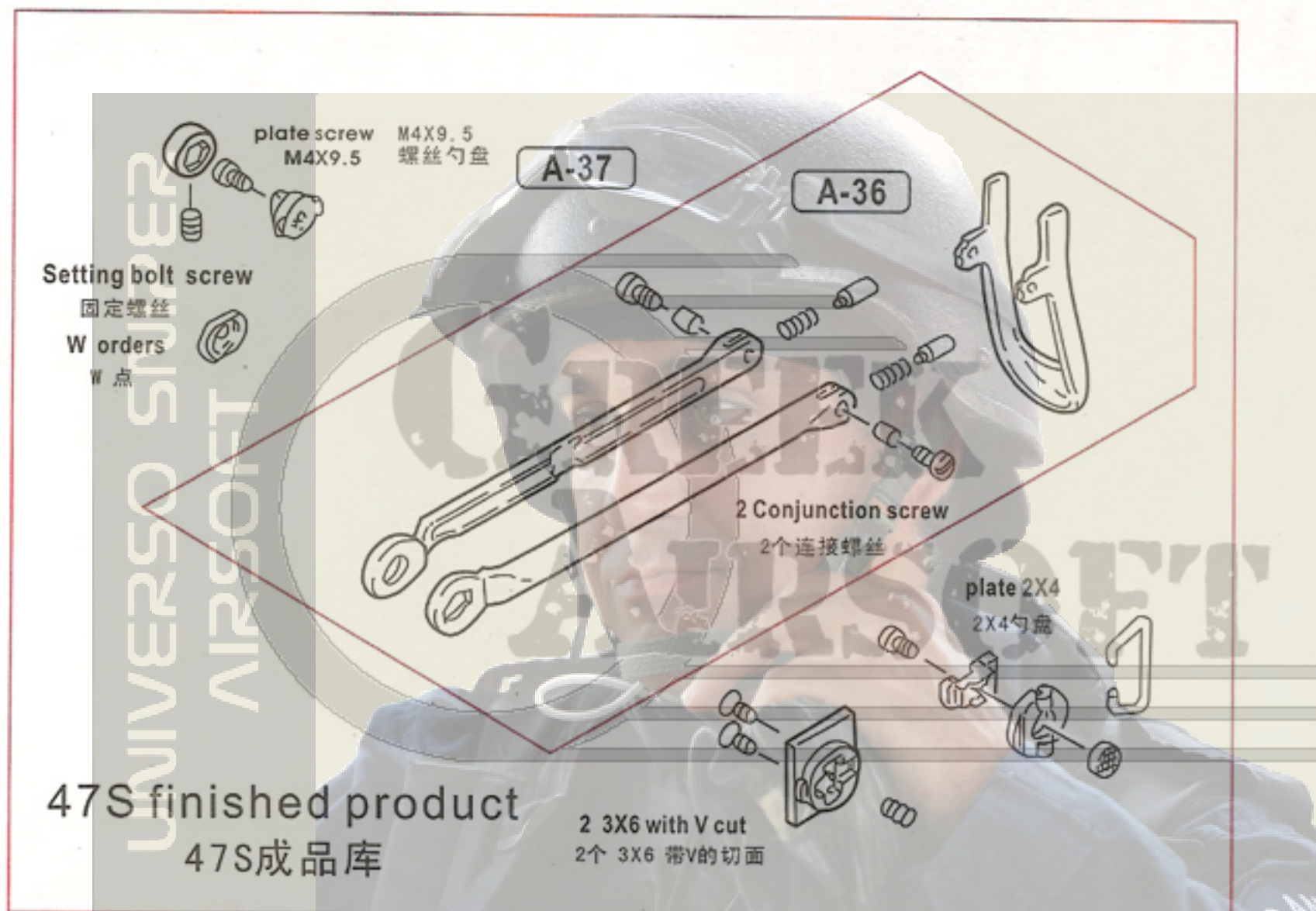
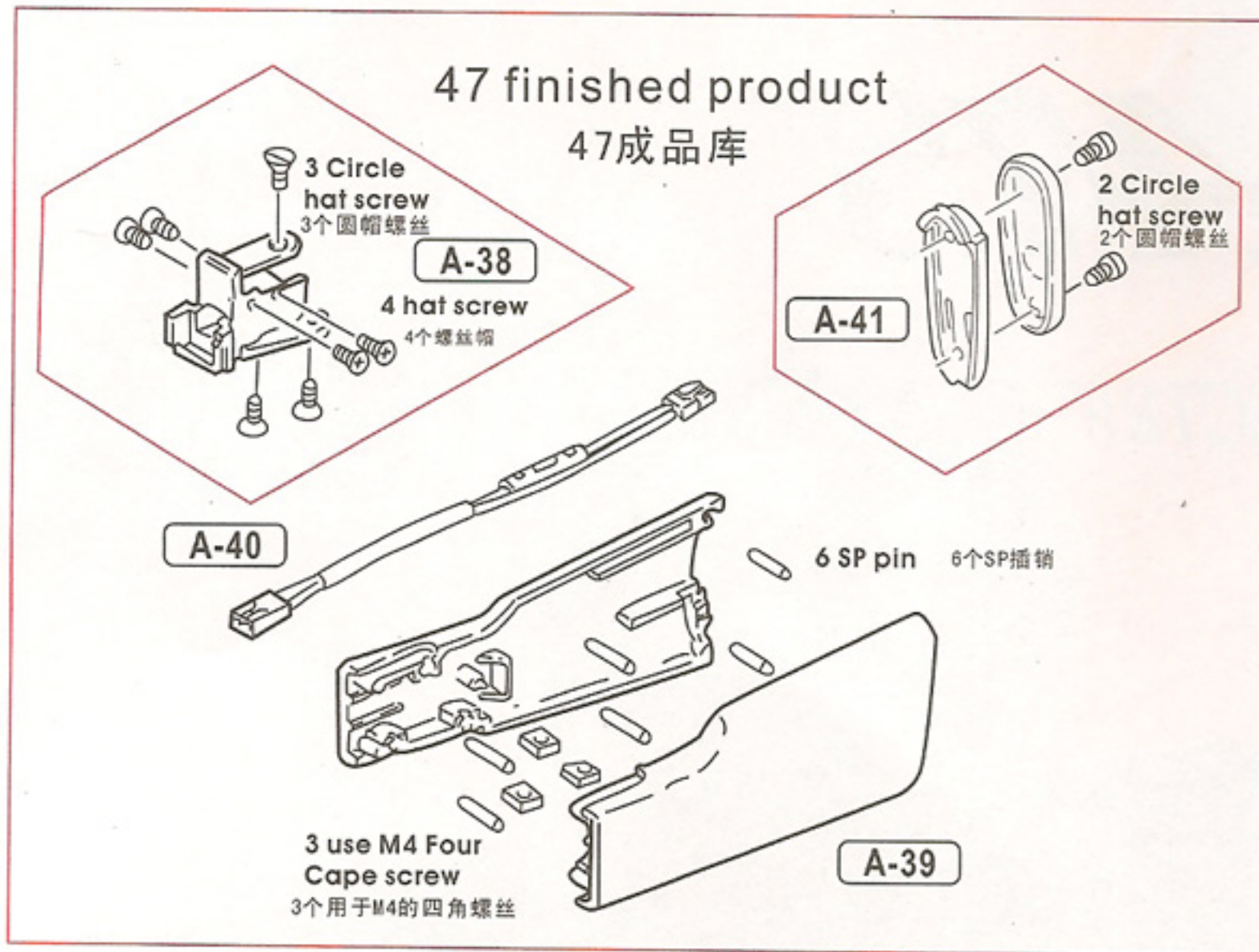


Hexagon spanner special for fixed screw
固定螺釘專用六角扳手

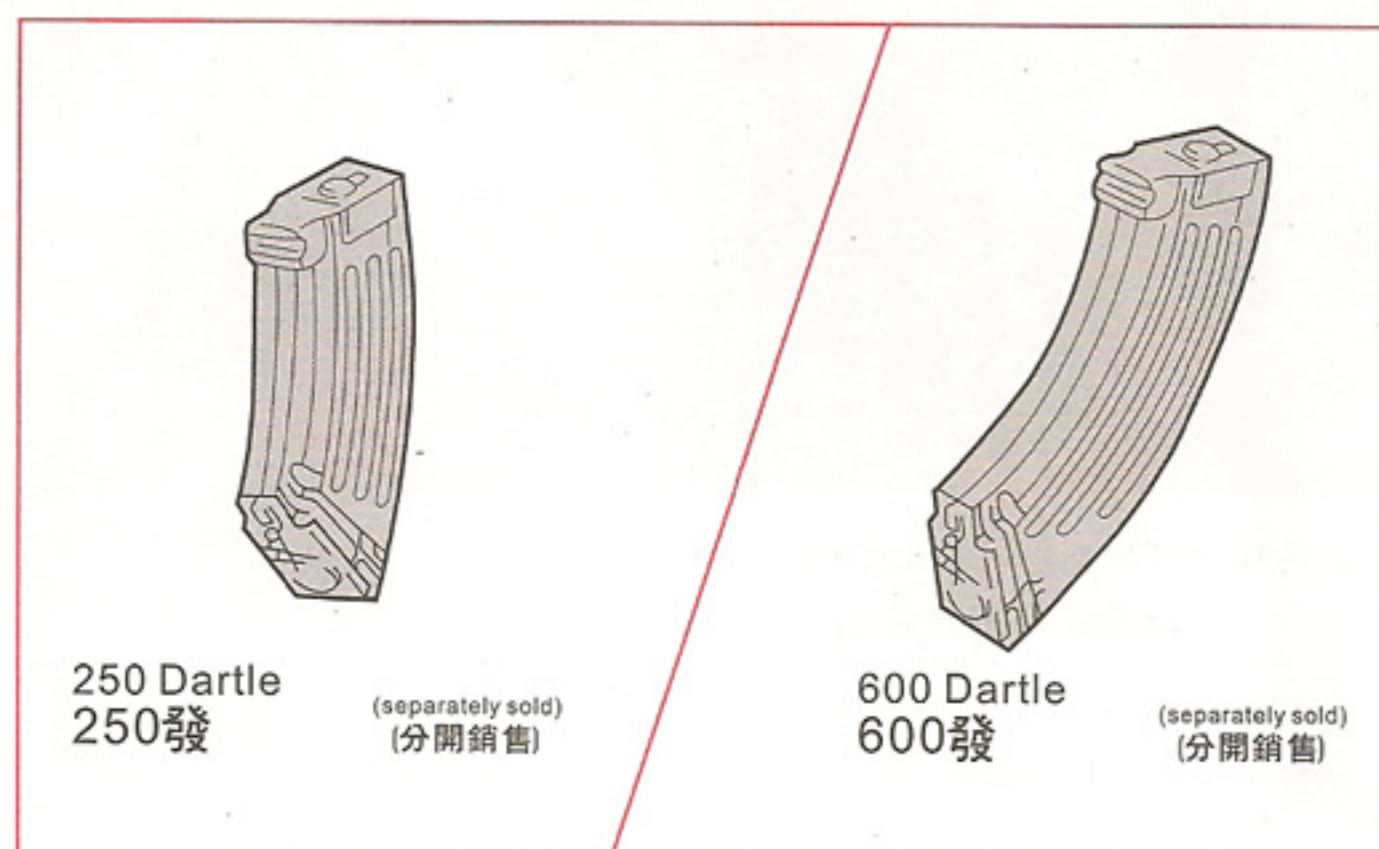
A47 & A47S detail list

A47&A47S零件清单





A47 in common A47 共用



A47&47S

AUTOMATIC ELECTRIC GUN SERIES



MADE IN CHINA

中国 制造