

適合年齡: 18歲以上
Users Restricted to 18 Years of age or older



自動電動槍

AUTOMATISM ELECTROMOTION GUN

補充說明書 SUPPLEMENT INSTRUCTION MANUAL

Always read through this manual together with the A47&A47S Instruction Manual before beginning operation.

使用之前請務必閱讀A47&A47S說明書。

1 Battery and charger are sold separately. 電池、充電器另購

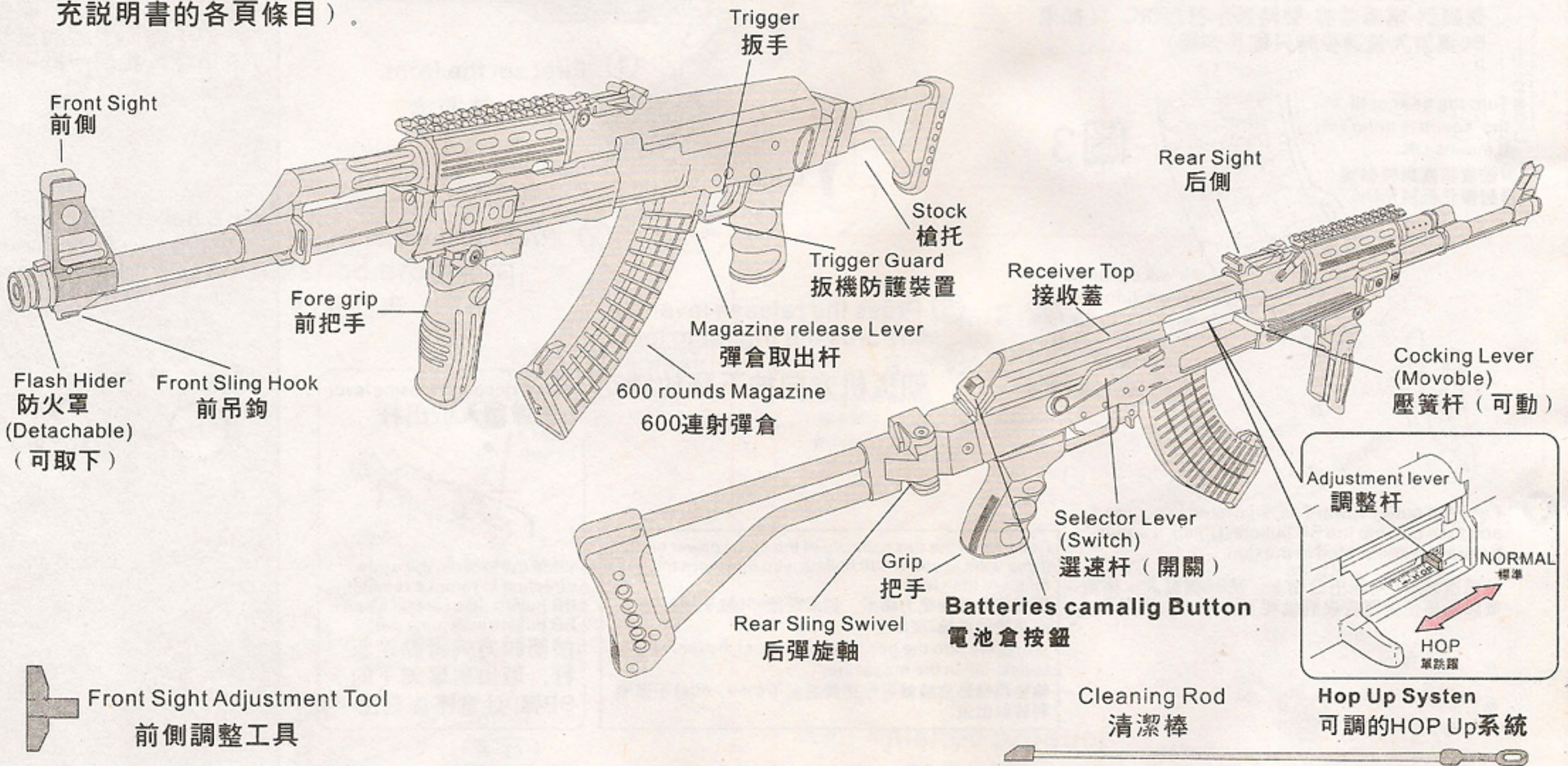
The battery used is the same as the A47. Consult the A47&A47S instruction Manual for details. (See on page 3.)
使用的電池和A47是通用，詳細請參照A47&A47S說明書P3。

- Always use the 8.4V, 1800mAh Hyper Command Battery, a genuine part specified. Never use batteries of other companies or those not specified.
- 本產品請使用指定的8.4V1800MAH HYPER COMMAND電池。其它公司及指定以外的電池（安培數異常高及低劣的電池）絕對不能使用，因有引起波箱破損的危險。

2 Component names

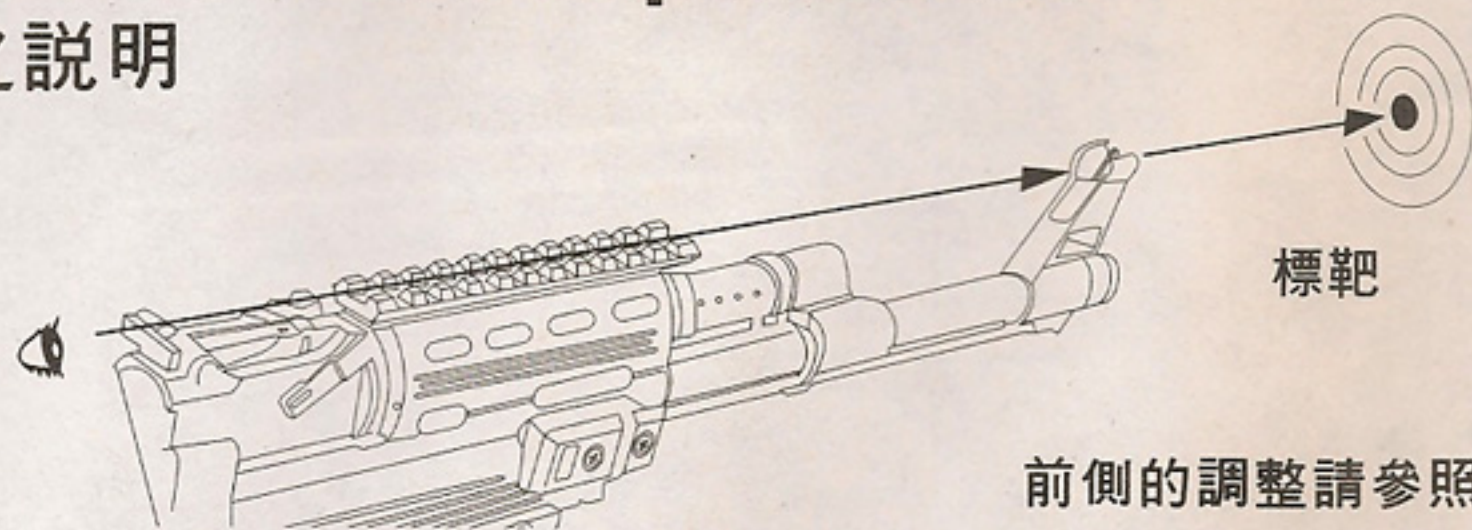
(Component names are explained in the A47 instruction Manual.)

各配件的名稱（各配件的操作請詳細看A47說明書及補充說明書的各頁條目）。



3 Rear Sight and Mount rair explanation.

后側、裝配口之說明



前側的調整請參照A47-5P-6.

4 Setting the Magazine 子弹仓安装

1 First, open the hatch at the top of the magazine and then load it with 600 BB bullets. (Never put into too many or too few bullets.)

首先請將子彈匣頂部的艙口打開，裝入大約600發BB彈。(請勿裝入過量或過少)

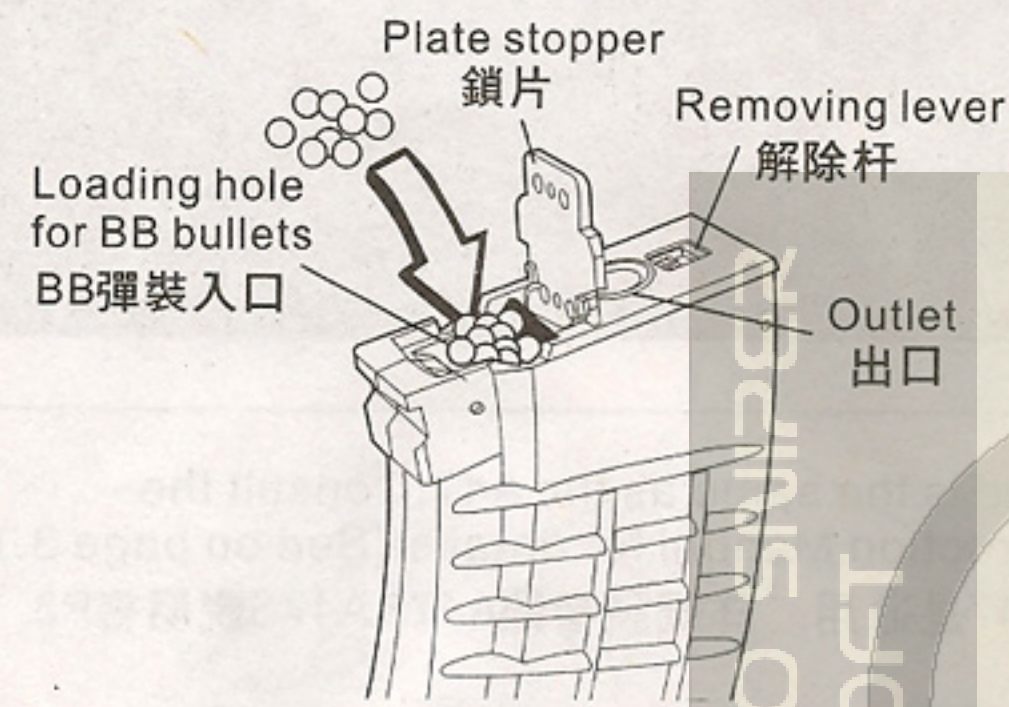


圖1

3 Then face the loading hole for BB bullets upward and turn the gear at the bottom as per the arrow shown. While turning, it will squeak until it cracks, that's OK. (It's only idling when BB bullets are insufficiently loaded.)

然后把BB彈裝入口朝上，底部齒輪按箭頭所示方向盡量旋轉，當聽到轉動的聲音從「吱吱」聲轉到「喀嚓喀嚓」聲時表示已經OK。(如果Bb彈裝入量過少時只能是空轉。)

※Turn the gear until the sound is different. It means OK.

轉動齒輪直到轉動聲音起變化就表示OK.



※It will cause no malfunction even if you turn it to the full. 即使盡量轉動也不會出故障。

圖3

4 Face the outlet upward as illustrated in picture 1 and then put into the BB bullets. Check it again before it is connected to the gun.

把彈匣如圖1所示出口朝上，把BB彈裝入，確認無誤后再把彈匣安裝到槍體上。

Because of the flex capacity of the spiral power spring, if you want to shoot 600 bullets, you must turn the gear for more than twice.
因發條的伸縮能力關係，如果要把600發子彈射完，必須轉動齒輪2次以上。
※Slightly turn the gear again to shoot the last 50-60 bullets left in the magazine.
稍微再轉動齒輪就可以把最后剩下的50-60發子彈順利發射出去。

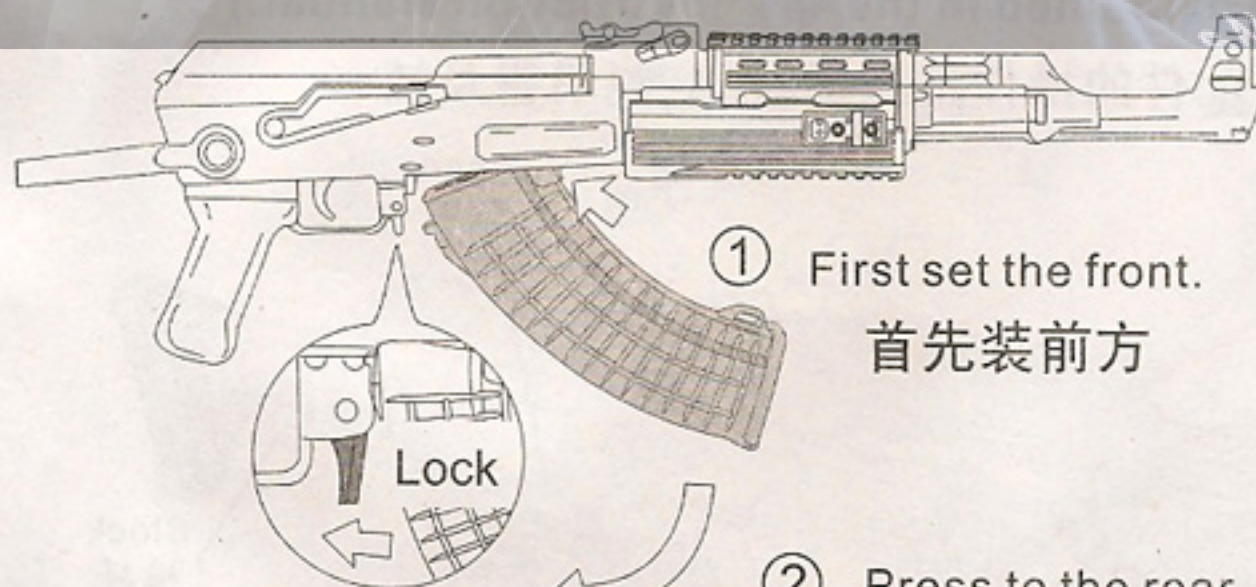
2 Shut the hatch until it snaps. 關閉時會聽到BB彈艙口發出「啪嗒」一聲。



圖2

5 Always set the magazine upwardly. First, align to the groove shown by an arrow and press in the rear of the magazine.

从上方安装子弹仓。首先，按箭头所示对准槽位，并把它装如子弹仓的后面。



1 First set the front. 首先装前方

2 Press to the rear. 向后按

3 Press the release lever towards the trigger to lock. 朝扳机方向按下释放锁定

朝扳机方向按下释放锁定

Bullet stopper releasing lever 子弹塞入取出杆



Slide the lever in the arrow direction to remove remaining BB bullets. (Be careful since BB bullets may jump out. 按箭頭方向滑動控制製杆，取出射擊剩下的BB彈(注意不能飛出)。

CAUTION

- Always use the BB Bullet for this air gun. We will not be held responsible for any damage and accidents arising from use of bullets supplied by other manufacturers.

此气枪必须使用BB子弹，任何因使用别的厂家生产的子弹而引起的意外或破坏，我们一概不予负责。

BB Bullet (0.2g) BB bullet from another manufacturers





5 Supplement Maintenance Manual. 保養的補充說明

CAUTION Refer to the A47 & 47S manual.
(See 11, 2, 3 on page 8)

注意 請同時閱讀A47&47S8P 11, 2, 3.

- Always carry out maintenance AFTER returning the hop up lever to the Normal position. (Hop-OFF)

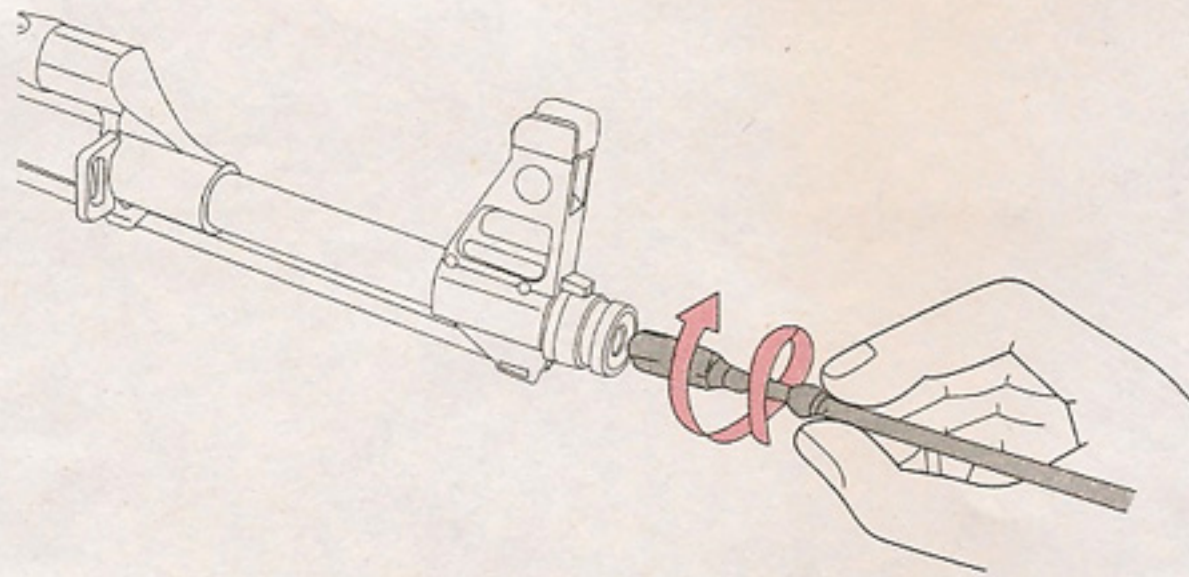
務必將HOP調整杆返回到標準位置 (HOP OFF) 后才能進行保養。

- Since the chamber is a precision component avoid use of used BB bullets.

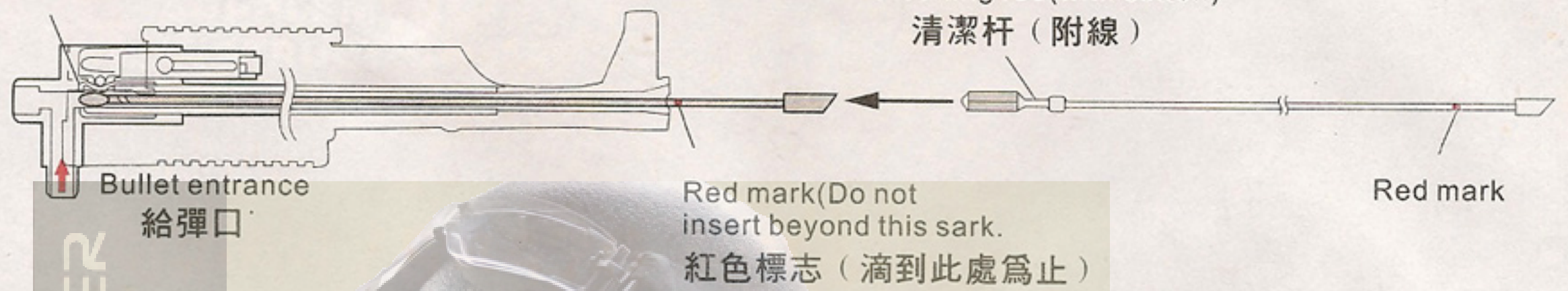
因(槍)膛內非常機密, 請勿使用已用過的BB彈。

As shown in the A47 manual, rotate the cotton wound cleaning rod slowly when inserting it into the barrel.

按A47說明書取出綿製品的一端, 拿住清潔杆前端部分, 邊旋轉邊裝入管內。

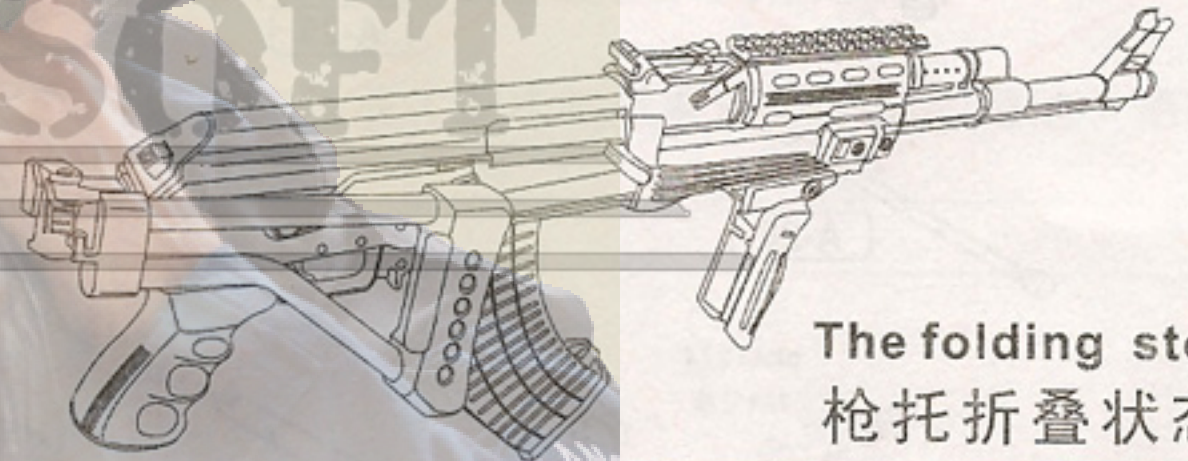
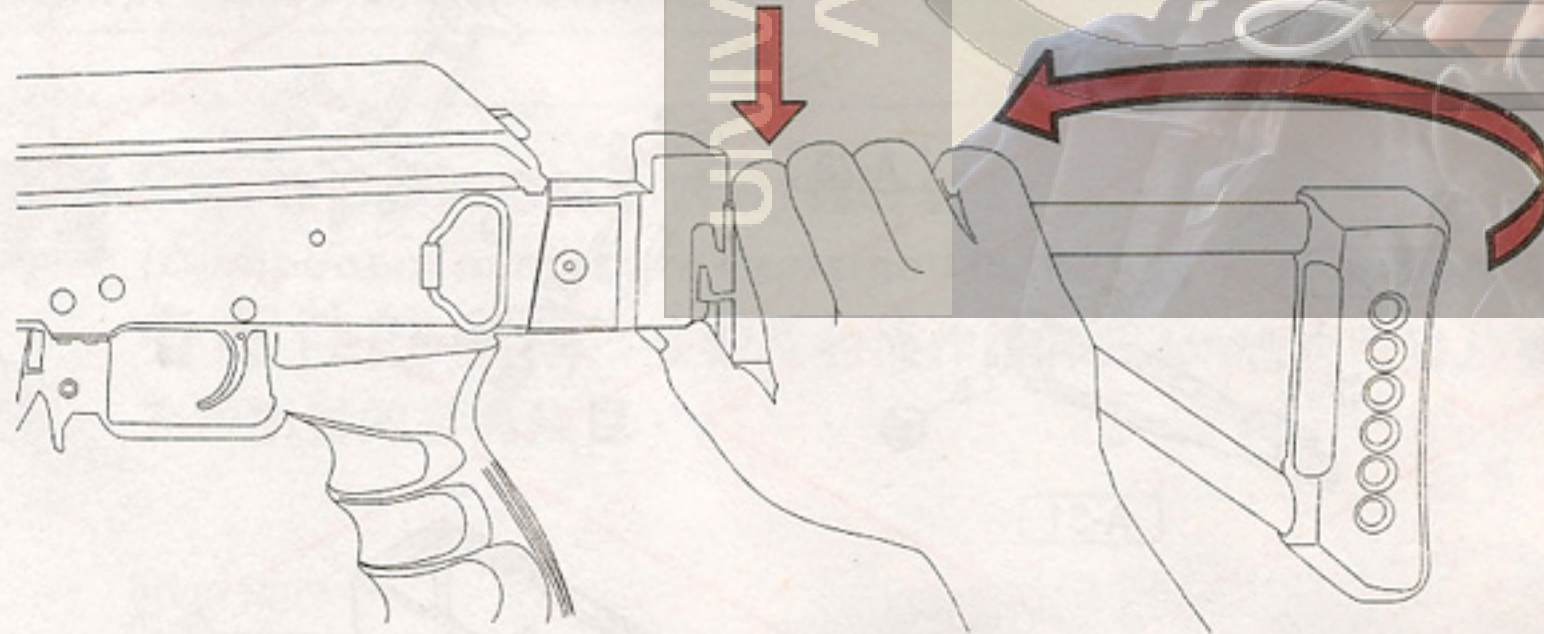


Hop chamber packing.
HOP (槍)膛的包裝



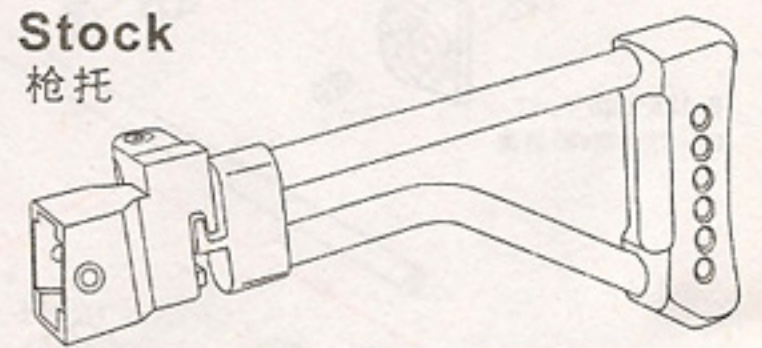
Apply a few drops of sill cone or Teflon oil.
滴入數滴硅油或特氟隆油。

Fold the stock by turning in the direction of the arrow
按箭头所示方向转动枪托并将枪托折叠起来。

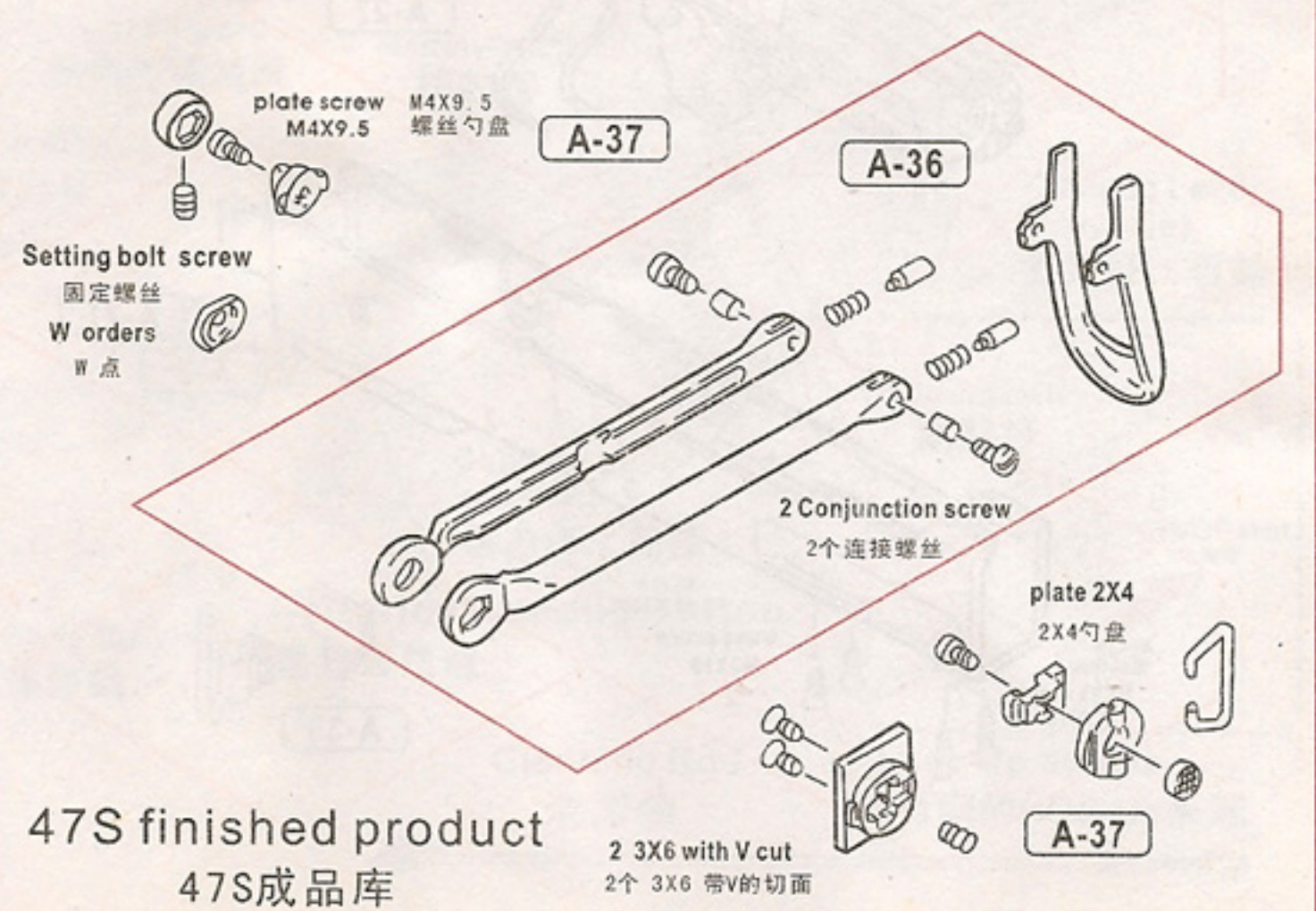
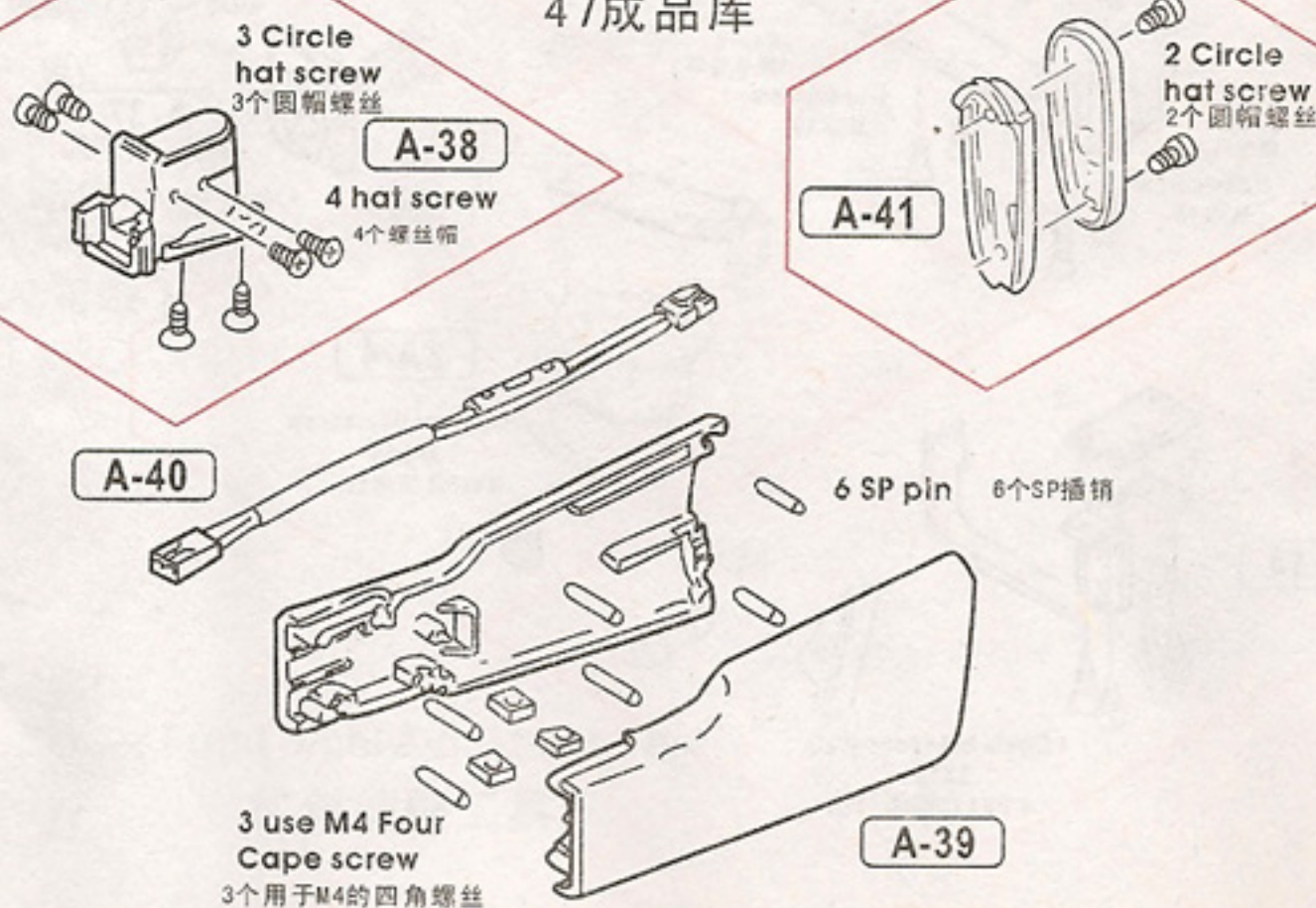


The folding stock
枪托折叠状态。

Stock
枪托



47 finished product
47成品库



A47TACTICAL DETAIL LIST

A47战术版零件清单

