

G608

ASSAULT RIFLE

适合年龄18岁以上使用

Users Restricted to 18 Years of age or older

AUTOMATIC ELECTRIC GUN SERIES

HANDLING CAUTIONS AND INSTRUCTION MANUAL

操作手册指导手册






Always read through this manual before operation.

操作之前先阅读这本手册



WARNING 警告

 <p>Only for 18 years old or up 只適合18歲以上</p>	<p>Operation of this air gun for competition use is restricted to users younger than 18 years old. 這款氣槍只適合18歲以上的人員操作</p>
 <p>Injury caution 傷害警告</p>	<p>Since the field of fire can be about 50 to 60 meters, careless shooting may cause eye damage or other injuries. 塑料的BB彈的射程可以達到50-60米, 小心射擊避免造成眼睛損害或其它部位的受傷</p>
 <p>Careful reading of Handling cautions and Instruction manual 仔細閱讀操作手冊和說明手冊</p>	<p>Always read through this HANDLING CAUTIONS AND INSTRUCTION MANUAL carefully before operation. Operate the air gun with full recognition of warnings and cautions. 操作氣槍之前請仔細閱讀操作手冊和注意事項</p>

● Promptly request a copy if you lose the HANDLING CAUTIONS AND INSTRUCTION MANUAL. 防止丟失, 請將手冊做備份



ATTENTION

注意

<INSTRUCTION> PLEASE READ IT BEFORE USE IT.

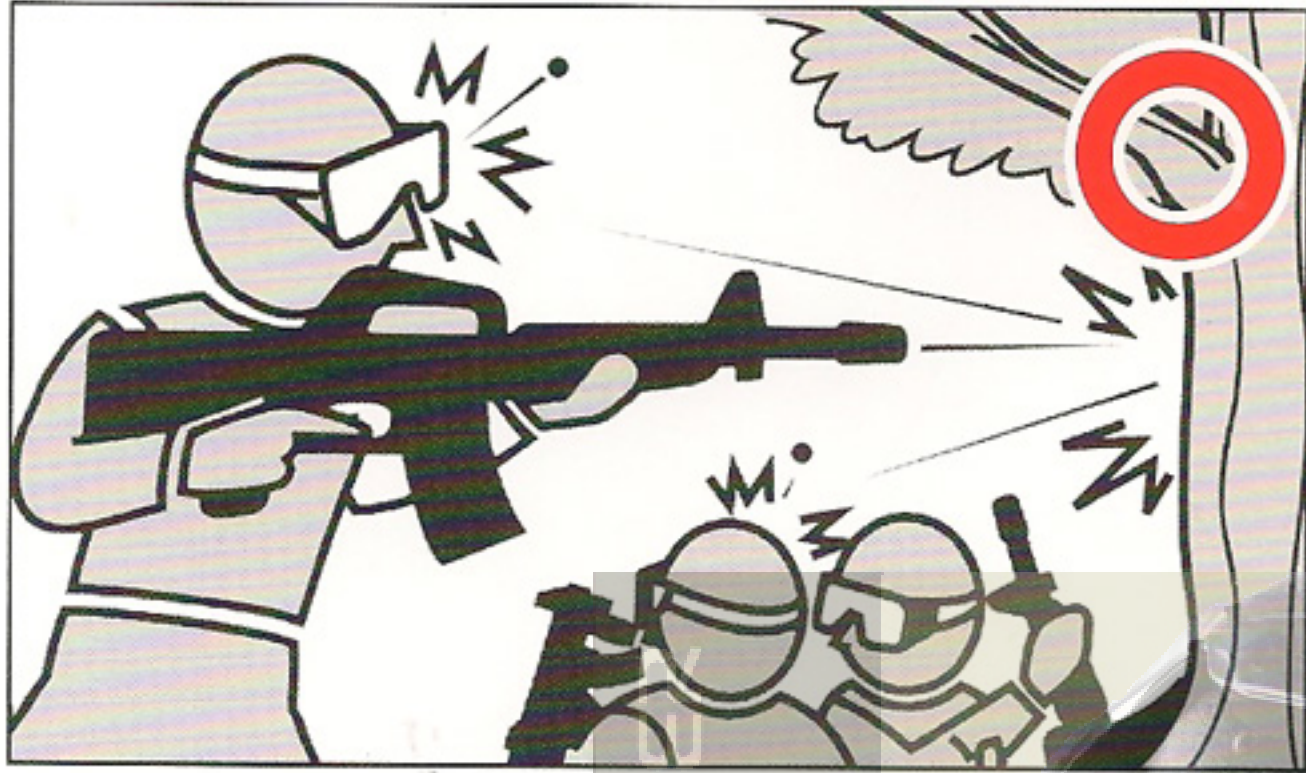
<使用注意書> 使用之前請務必閱讀。

It is for your to enjoy the fun of shoot that this soft ballistic gun is made. Various kinds of guns have their own features, So you should have sound comprehension before you enjoy the fun of safe shooting. The BB bullets can flight a distance Of 20-30m. If it is not properly used, there would be some risk. So you have read the instructions carefully before using it, And strictly follow them while using it, and then, you can enjoy the fun of shooting.

製作此軟彈槍，是爲了讓您享受射擊遊戲的樂趣。各種各樣槍的特點，使用時的注意事項應詳細了解后才能享受安全運動射擊的樂趣發射的BB彈能飛出約20~30M。如果使用不當，就有受傷的危險。使用之前，一定要仔細閱讀注意事項（使用說明書），而且要嚴守規定，才能享受運動射擊的樂趣。

ATTENTION Please pay attention: you would probably be hurt because of carelessness or shooting mistake.
注意 如果稍不留神或發射錯誤都有可能引起受傷的危險,請萬分注意!

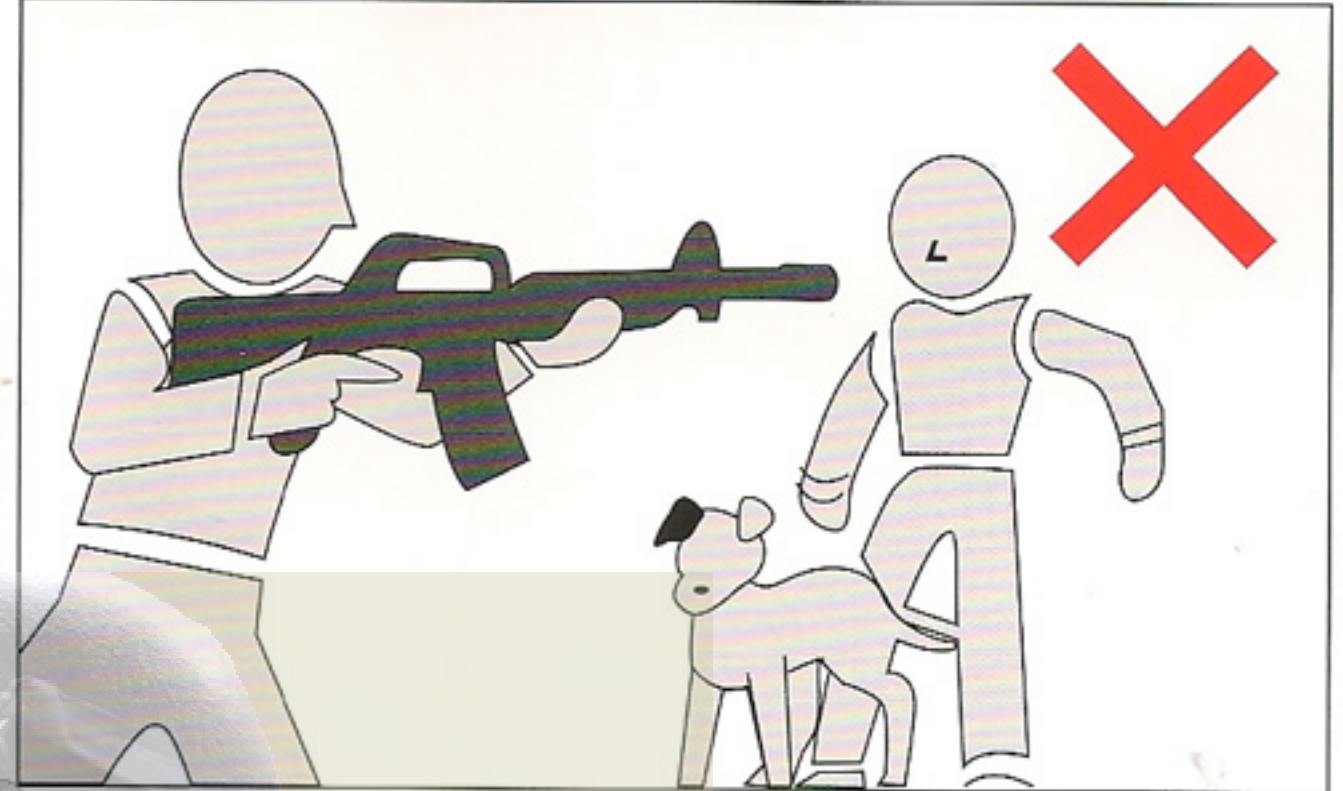
ATTENTION MAKE SURE TO WEAR PROTECTION GLASSES TO PROTECT YOUR EYES.
注意 一定要戴護目鏡以保護眼睛。



Make sure to wear protection glasses while shooting BB bullets or playing game. What's more, the BB bullet will go back once it hits hard object, (attention: please don't train on people.)

發射BB彈或遊戲時，一定要戴護目鏡以保護眼睛。而且，BB彈一撞到硬的物體可能會反彈（注意一定不能對著人發射BB彈）。

ATTENTION DON'T TRAIN ON PEOPLE AND ANIMALS.
注意 不能對著人或動物發射。



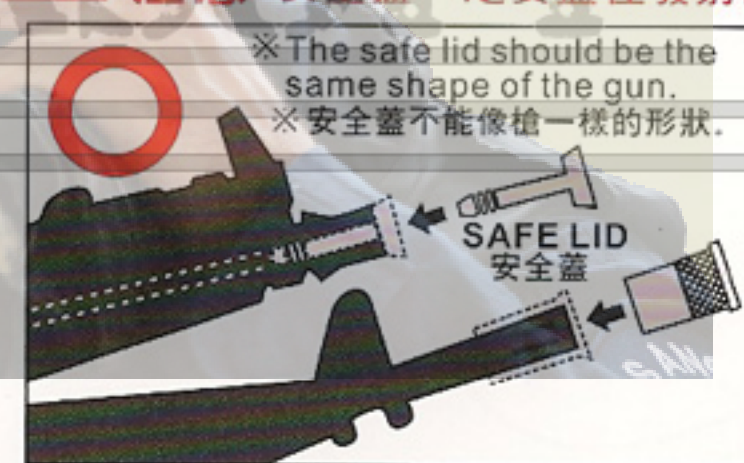
Please don't train the soft ballistic gun on people or animals. Please cover the muzzle with the safe lid, if you are not shooting. 請不要將軟彈槍對著人或動物發射。除了對準目標發射后，請將安全蓋蓋在發射口上。

ATTENTION YOU WILL BE PUNISHED IF YOU SHOOT MISCHIEVOUSLY.
注意 如果胡亂發射，可能會受到懲罰。



Those who shoot mischievously or train the gun on people or animals will probably be punished by law. 諸如胡亂發射，對著人或動物發射就有可能射傷他人，因此也有可能受到法律的懲罰。

ATTENTION THE SAFE LID SHOULD COVER THE MUZZLE.
注意 安全蓋一定要蓋住發射口。



Please cover the muzzle with the safe lid, so that the BB bullets won't be shot randomly. 爲了使BB彈不會隨意發出，發射口一定要蓋上安全蓋。

ATTENTION DON'T LOOK CLOSE TO THE MUZZLE AT ANY TIME.
注意 無論什麼時候都不能窺看發射口。



Your eyes will be hurt if the BB bullets shoots your eyes by chance, it is very dangerous. So don't look close to the muzzle at any time. 如果BB彈剛好射中眼睛，可能會使眼睛受傷，非常危險。因此，無論什麼時候都不能窺看發射口。

ATTENTION DON'T SHOOT CASUALLY.
注意 不能隨意扣動扳機。



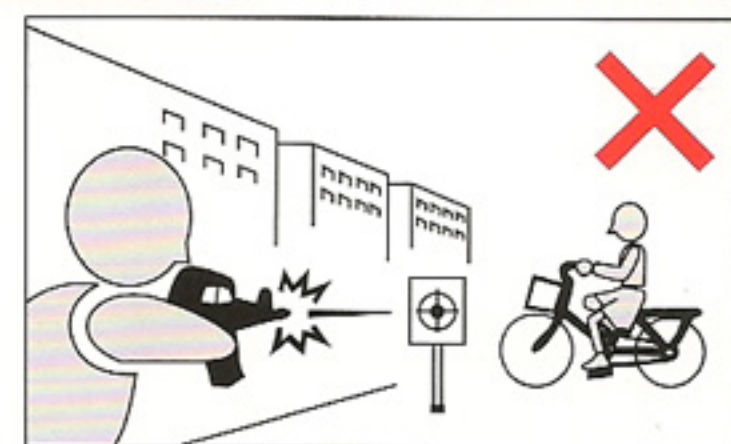
Shoot casually will cause great danger, so please shoot before you take away the lid, and aim at the object. 不加注意而扣動扳機會引起極大危險。一定要取下安全蓋，對準目標后才能扣動扳機。

ATTENTION THE MUZZLE SHOULD BE DIRECTION AT THE SAFE DIRECTION.
注意 發射口，一定要對準安全的方向。



The muzzle should not train on people or animals or any where that would cause danger. Please cover the lid except shooting. 發射口，絕對不能對準人、動物或其它危險的方向。除發射時以外，安全蓋一定要蓋住發射口。

ATTENTION DON'T SHOOT WHERE THERE ARE PEOPLE OR TRANSPORTATION.
注意 決不能在人或車通過的場所發射。



The soft ballistic shooting place should be in the safe arena., those places where there are people or transportation are not allowed to shoot. 發射軟彈的場所，一定要在安全的場所。像人或車通過的場所，或周圍有人的場所決不能發射。

YOU HAVE TO READ THE INSTRUCTION CAREFULLY BEFORE USING IT BECAUSE THE OPERATION IS DIFFERENT FROM THE NORMAL GUN.

因使用方法和一般的槍不同，所以一定要詳細了解后才能使用。

THOSE INCIDENT, DANGER, HURT, REPAIR CAUSED BY THE WRONG WAY OF OPERATION, READJUSTMENT, DISMANTLE ARE CLAIMED TO BE THE RESPONSIBILITY.

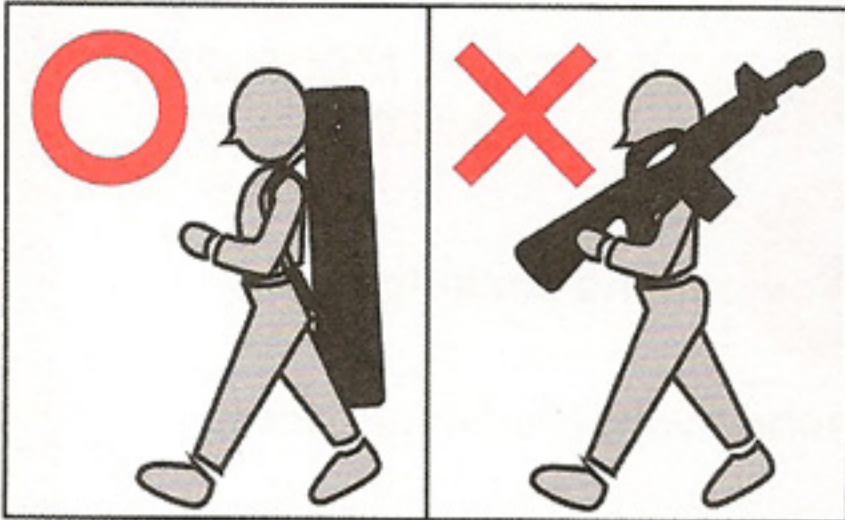
錯誤的使用方法、操作、改裝、拆散等引起的事故、危險、損傷、維修等都不是經銷商的责任。

ALWAYS READ THROUGH THIS MANUAL BEFORE OPERATION

使用之前請務必閱讀

Please pay attention: you would probably be hurt because of carelessness or shooting mistake.
如果稍不留神或發射錯誤都有可能引起受傷的危險，請萬分注意！

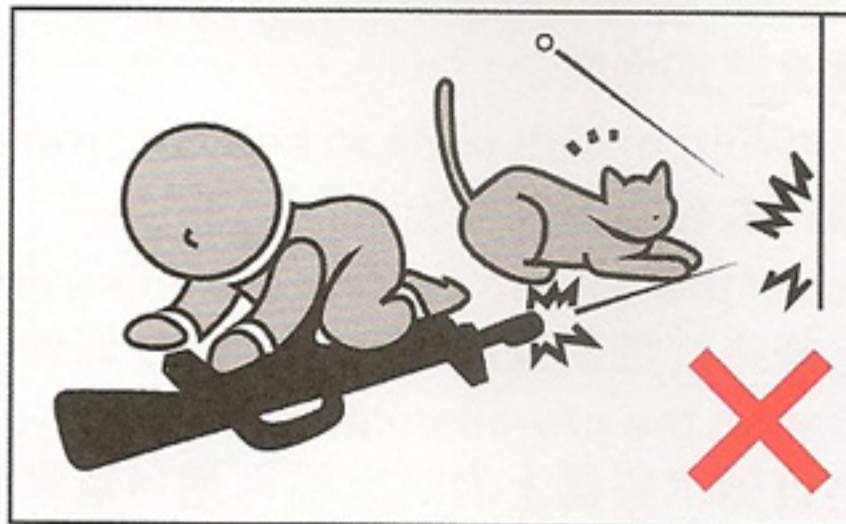
警告 WARNING Always put the gun in a case or bag when you are carrying it. 把槍放入箱內或包內



When you carry the air gun, attach the protective plug, set the selector lever to the Safety position and put it in a case or bag.

把槍帶在身邊時，要把保護塞扣上，把選擇杆調到安全位置，並裝入箱內或包內。

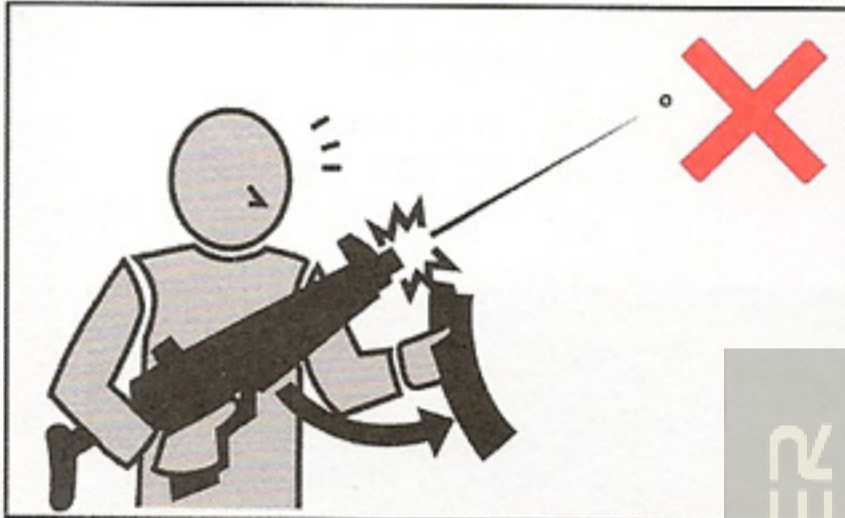
警告 WARNING Store the air gun at places out of reach by children. 氣槍應放置于遠離兒童的地方。



Always attach the protective plug to the muzzle, remove the battery and store the air gun in a case or bag and at a place out of reach by children so that they will not be injured during mischievous play.

爲了避免受傷，必須扣上保護栓，取出電池，並把氣槍存放在兒童夠不著的地方。

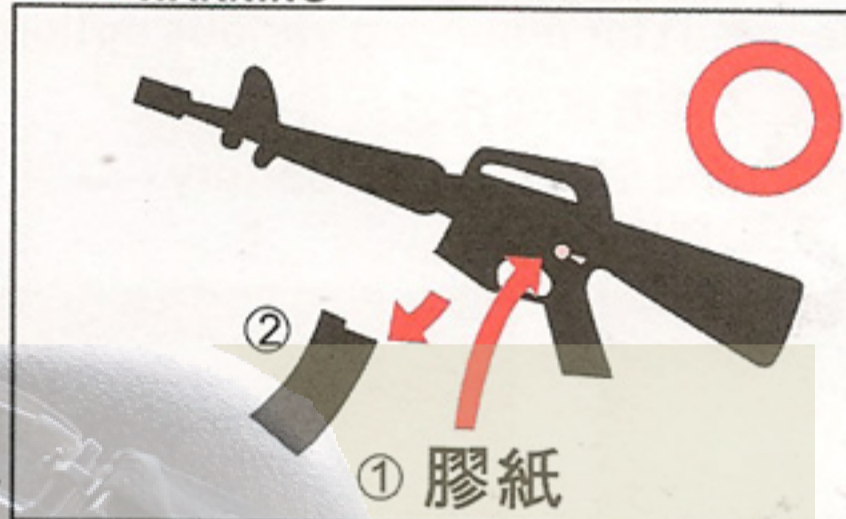
警告 WARNING BB bullets may be shot out even if the magazine is removed. 即使取下子彈倉，BB子彈仍有可能射出。



There are cases that bullets remain in the gun after the magazine is disconnected. Pulling the trigger carelessly is extremely dangerous. After removal of the magazine, direct the muzzle towards a safe direction and pull the trigger to confirm that no bullets remain in the gun. Then, attach the protective plug to the muzzle.

子彈倉卸下后，子彈仍有可能留在槍內，草率扣動扳機是很危險的，取下子彈倉后，把槍口朝向一個安全的方向射擊以確定沒有子彈留在槍內，然后把保護塞扣上槍口。

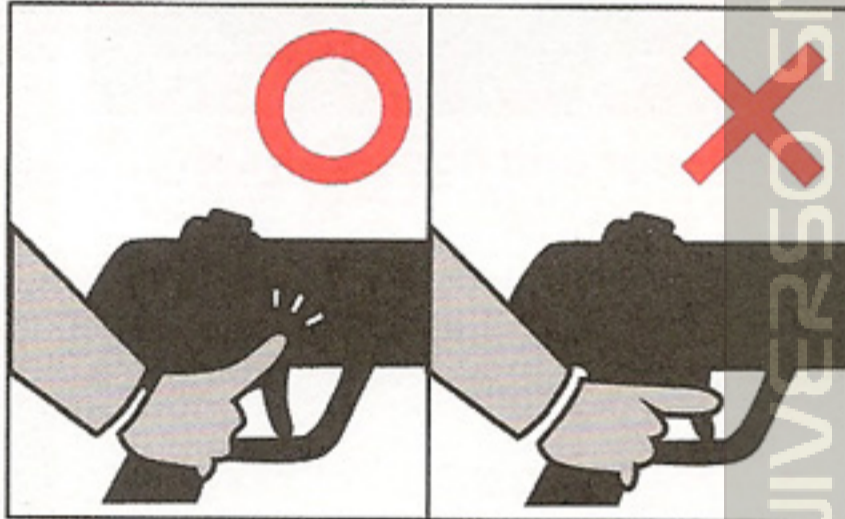
警告 WARNING The safe lid should cover the muzzle. 請將膠紙封住。



Don't pull the trigger expect you want to shoot. It is very danger if pull trigger because of spring.

①在有可能造成發射之處貼上膠紙。
②請取下子彈匣。

警告 WARNING Release put away your fingers from the trigger, except when you are ready to shoot a target. 停止射擊時，手指要放開扳機



Never put your fingers onto the trigger except when you are shooting a target. Maintaining your fingers on the trigger may cause sudden discharge for some reasons, which is dangerous.

只有當射擊時才把手指放在扳機上，手指停留在扳機上可能會因某些原因發射而導致危險。

警告 WARNING Never disassemble or modify the air gun. 請勿擅自拆卸或重裝此氣槍。



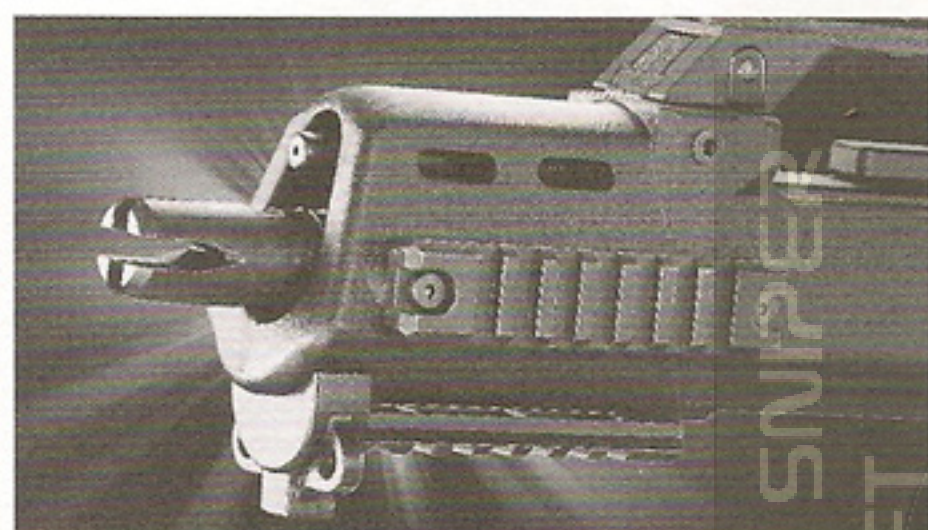
This air gun is manufactured under consideration of appropriate performance and operability. Disassembling or modifying the gun may generate danger or adversely affect the performance. So, avoid disassembling or modifying the air gun. 這款氣槍的製造基于合適的構想，有良好的性能和運作，擅自拆卸和重裝氣槍將會產生危險或對其性能有不利影響，因此，請勿擅自拆卸或重裝此氣槍。

警告 WARNING

- This air gun is capable of shooting 6mm diameter, plastic BB bullets by 50 to 60 meters. Operate the air gun under consideration of the performance and paying attention to safety.
- During a game, always pay attention that persons without wearing goggles or third persons non-members of the game are not within the estimated dangerous zone.
- Never direct the muzzle towards items subject to damage (glass, lamp, household apparatus, tableware, furniture, car, gas bomb, etc.)
- Never insert foreign matter other than BB bullets into the magazine and gun barrel.
- Because of the design of the air gun, there are places subject to entanglement of your fingers. Pay attention not to entangle your fingers when operating the sliding type stock (expand type stock), the stock of folding stock or opening/closing the ejection port.
- When no bullets are shot out while the trigger is operated correctly as instructed in the HANDLING CAUTIONS AND INSTRUCTION MANUAL and malfunctions caused by expiration of the product life or drop of the gun occur, never attempt to repair by yourself, but to take a contact to your dealer or our after-service department.
- The air gun must not be operated after drinking to avoid possible danger.
- Avoid storing the air gun at places subject to drop or falling down. Always store it at places out of reach by children and after attaching the protective plug to the muzzle and putting it in a package, case or bag. If you lose the protective plug, contact us for a replacement part at cost. Make sure to inform us of the model of the model of your air gun.
- Make sure to store the HANDLING CAUTIONS AND INSTRUCTION MANUAL at a safe place. If you lose the manual, consult us for a replacement copy.
- Observe warnings and cautions of the manual for the battery exclusively used for this air gun. Never short circuit the battery intentionally to avoid firing or explosion.
- Always use the exclusive battery charger when charging the battery.
- Malfunctions of the motor, battery and switches will occur if you drop the gun into water or apply a large amount of water to it, causing faulty operation. In such an event, immediately stop operating the gun, remove the battery and consult our after service dept.
- When no bullets are shot out while the trigger is operated correctly as instructed in the HANDLING CAUTIONS AND INSTRUCTION MANUAL and malfunctions caused by expiration of the product life or drop of the gun occur, never attempt to repair by yourself, but to take a contact to your dealer or our after-service department.
- Our exclusive optional parts can be installed to the electrical air gun. Carefully read the respective instruction sheets provided with options.
- For this air gun, consumable parts must be replaced after normal operation of about 10,000 bullets. Operation after expiration of part lives causes malfunctions and danger because of faulty operation. Consult our after-service department for overhaul maintenance.

- 使用6MM口徑塑料BB子彈，氣槍能達到50-60米的射程。使用氣槍時，請考慮其性能並注意安全。
- 遊戲時，請留意是否有未使用眼罩的人以及未參與遊戲的第三方在預計危險範圍內。 ● 禁止把槍口瞄向危險物品(玻璃、燈、家用電器、餐具、家私、汽車、煤氣瓶等)。
- 除了BB子彈外，禁止放其他物品入子彈倉。 ● 由于氣槍的設計，有幾個地方容易纏住手指，開關滑動倉和射擊口時，注意手指不要被纏住。
- 當按照操作手冊正確操作時發現沒有子彈射出或者因爲產品過期出現功能失效時，請勿嘗試自己修理；請聯系供應商或售後服務部。 ● 爲了避免潛在危險，禁止酒后操作氣槍。
- 避免把槍存放在容易墜落的地方，扣上保護塞並放置在包、箱、袋裡，遠離兒童。如果保護裝置松了，聯系我們替換零件，確保通知我們時告訴我們你的氣槍的型號。
- 確保把操作指導手冊放于安全的地方，一旦遺失，請與我們聯系索取副本。使用手冊上的指定的專用電池。爲了避免著火或爆炸，禁止故意令電池短路。
- 氣槍掉進水裡或大量的水滲入槍內，馬達、電池、開關可能會出現功能失效，從而導致操作錯誤，在這種情況下，請立即停止使用，取出電池並諮詢我們的售後服務部。
- 當按照操作手冊正確操作時發現沒有子彈射出或者因爲產品過期出現功能失效時，請勿嘗試自己修理，請聯系供應商或售後服務部。
- 我們專用的選用零件可以裝上電子氣槍。仔細閱讀各個選用零件配備的說明書。
- 消耗零件在正常操作下使用大約10000粒子彈后必須更換。使用過期零件套由于錯誤操作導致功能不良和危險，請諮詢我們的售後服務部。

- ① Long mount rail capable of tandem sight mounting which is effective in fighting at night with attaching the dot sight and the night vision scope tandem. It is made of reinforced plastic and attached the metal armor plate on the back.
一前一後的瞄準器底托上的長山軌使你能在夜間戰鬥，因為系上焦點瞄準器后能在夜間看得很清楚。由加固塑料製成，並在背部裝上金屬護甲。
- ② See-through magazine (50 bullets contained) re-creating the real 5.56mm x 45 magazine.
透明子彈盒（可裝50顆子彈），重新創作的逼真的5.56mm×45子彈盒。
- ③ Magazine can be jointed without the clip.
無需子彈夾即可連接子彈盒。
- ④ Metal inner frame is used to realize tough body.
金屬內置火焰使得強硬的槍支更加逼真。
- ⑤ Strong Folding stock with the rubber butt plate to hold securely.
堅固的可折疊槍托帶有橡膠托底板以確保安全。
- ⑥ Functional and real gimmick of the hop-up system adjusting dial which appears as soon as you pull the cocking lever.
你一拉壓簧杆，就能看到上旋系統控制盤的逼真的性能良好的暗機關。
- ⑦ Flash hider capable of mounting the pro-silencer and the full-auto tracer directly can be attached with the 14 mm screw.
直接裝備在正面消聲器和全自動示蹤器上的防火帽可用14毫米螺絲釘固定。
- ⑧ Optional Under mount rail makes possible mounting of the grip,tactical light(price undecided).
可選擇的低山軌使你能裝備把手或戰術燈（價格未定）。
- ⑨ Side support rail(price undecided) for mounting various optional part.
側支架軌（價格未定）可裝備各種各樣的任意配件。
- ⑩ New AK type motor, "EG1000" and SD type mini battery.
新型的AK馬達“EG1000”及SD型迷你電池。



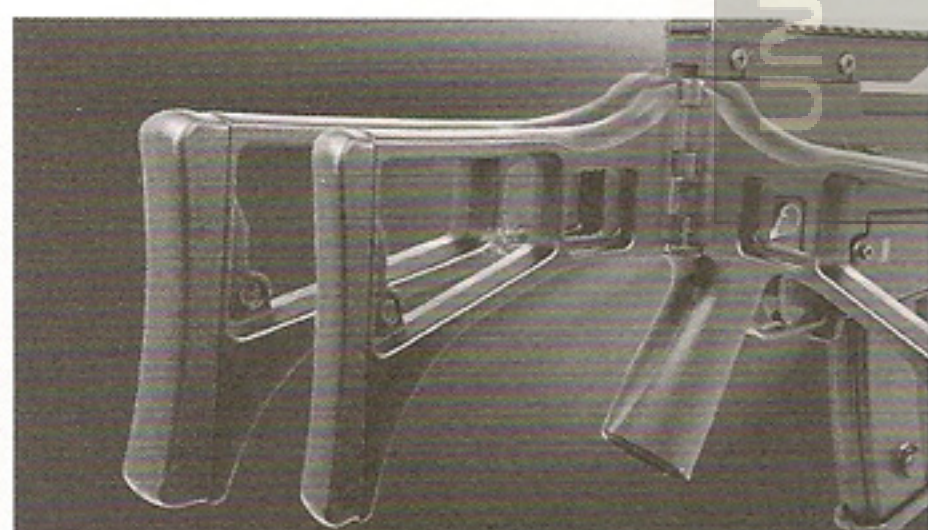
- The front section is equipped with under mount rail and flash hider (metal goods).
前部組件裝備有下支架與防火帽（金屬製品）。



- 6mm (Cal.223) rifle mimic bullets.
Connecting clip for the super rear magazine.
6mm (Cal.223) 來福槍仿真子彈
超逼真子彈匣連接扣。



- Cocking lever and hop up system.
壓簧杆與上旋系統。



- Firm folding stock
堅固的折疊式槍托。



- The folding stock, which is the same as a real gun is 500mm long when it is folded and it can shoot.
槍托折疊時全長有500mm，與實槍相同，能夠射擊。



- The charming shape of gun.
魅力十足的槍形。

Data of G36C Electric Air Gun
G608電動氣槍技術數據

Name 名稱	G608
Overall 全長	718mm/500mm(when stock is folded) 718mm/ 500mm (含薄板、槍杆折疊時)
Weight 重量	2850g(including battery) 2850g (含電池)
Barrel length 槍管長	247mm
Magazine capacity 裝入子彈數量	470rounds 470發
Bullet 子彈	6mm BB bullet 6mmBB彈子彈
Initial bullet speed 初速	96m/sec(use0.2gbullet) 96m/秒 (使用0.2g子彈)
Full auto shooting speed 連射速度	750~850rounds/min 750 - 850發/分
Rail width 軌幅	20mm

Data of Actual G36C Gun
G608實槍技術數據

Name 名稱	G608
Overall 全長	718mm/500mm(when stock is folded) 718mm/ 500mm (含薄板、槍杆折疊時)
Weight 重量	2850g(with empty magazine) 2850g (未裝彈的子彈匣)
Barrel length 槍管長	228mm
Magazine capacity 裝入子彈數量	30rounds 30發
Bullet 子彈	5.56mm X45(cal.223) 5.56mmX45彈
Initial bullet speed 初速	920m/sec 初速920m/秒
Full auto shooting speed 連射速度	750rounds/min 750 - 850發/分
Rail width 軌幅	20mm

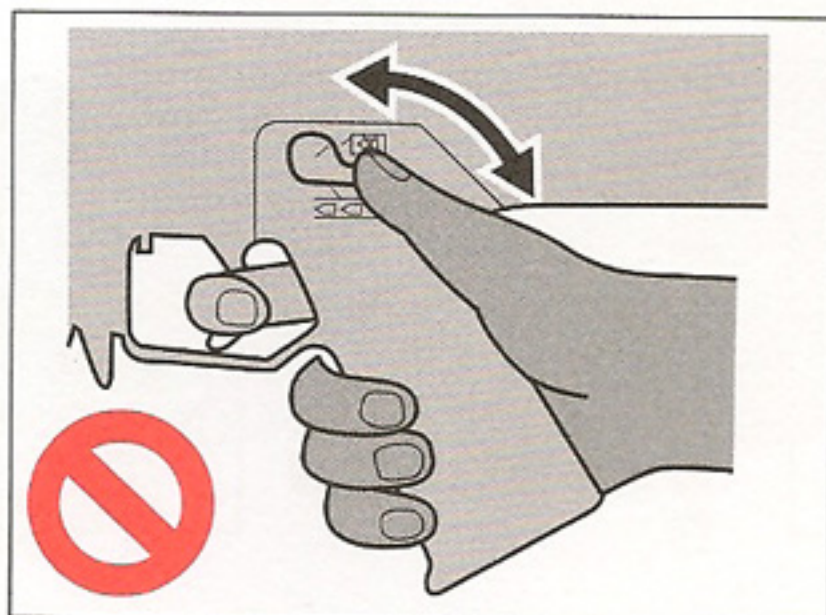


警告·注意

WARNING · CAUTION

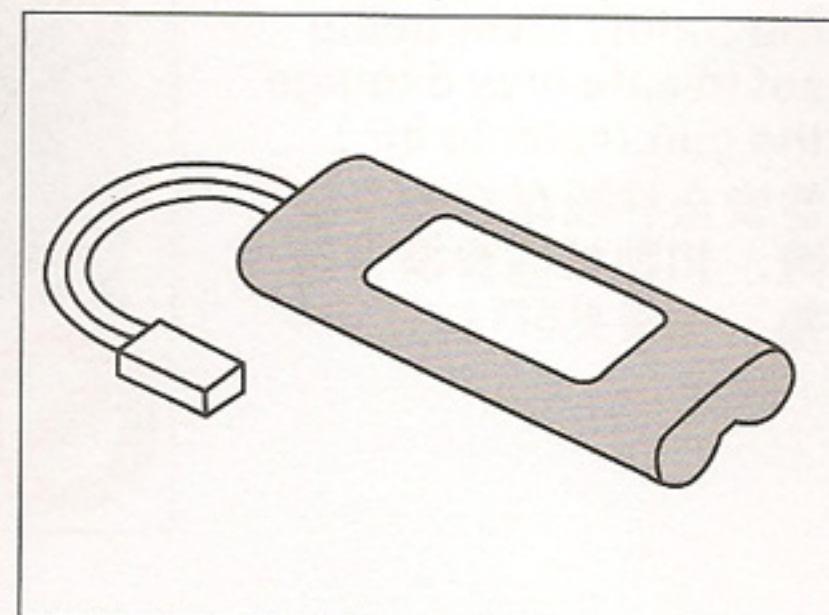
- Never operate the selector lever while pulling the trigger. (Refer to 8P)

扣動板機時，切勿操作選擇器的控制杆。
(參見8P)



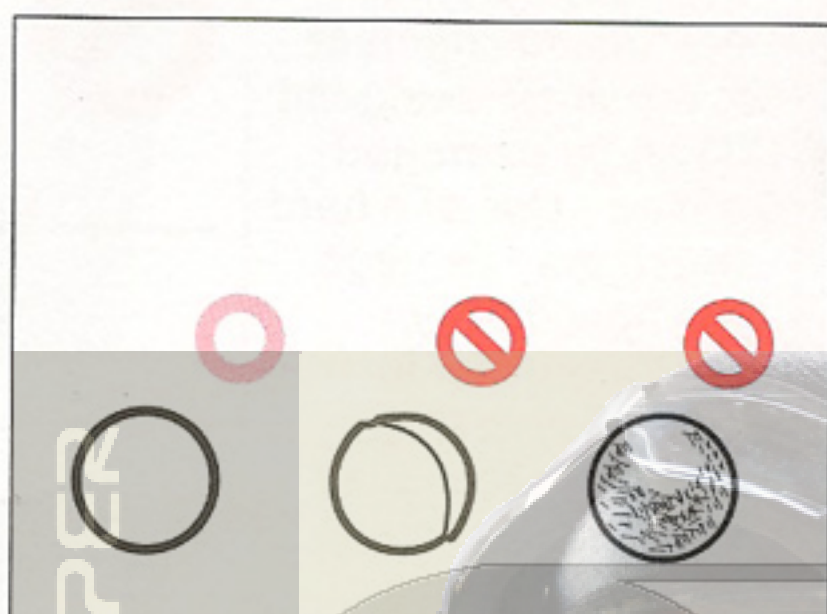
- Use the specified battery. (refer to 6P)

使用指定的電池。
(參見6P)



- Always use the BB Bullet for this air gun. We shall not be held responsible for any damage or accidents arising from the use of bullets supplied by other manufacturers.

對於該氣槍，請始終使用特製BB彈。由於使用其他製造商供應的子彈而導致受傷或引起的事，我方將概不負責。



- Never drop the gun. 切勿掉下該槍。



- Never use any used BB bullets. 切勿使用任何使用過的BB彈。

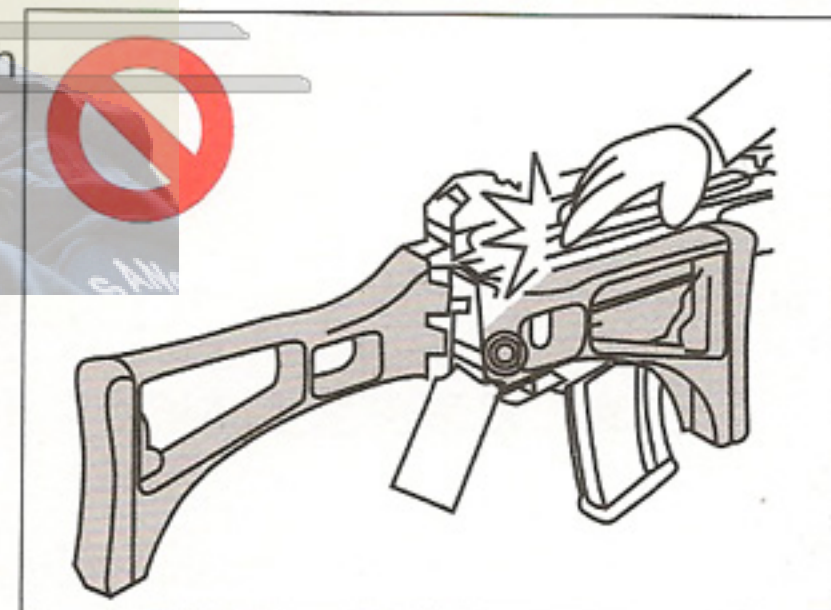
- Never hold the gun sideways as the BB bullets will curve right or left. This is due to the HOP-UP system. (refer to 13P)

由於上旋系統，切勿在握槍時側向一邊，會導致BB彈向左或向右彎曲。(參見13P)



- Be careful not to catch your fingers in the moving parts. (refer to 14P)

小心不要使移動部件夾住你的手指。
(參見14P)



- Be sure not to lose the adjustment tool. (refer to 14P)

確保不要丟失調節工具。(參見14P)

- There are possible cases that no firing occurs after pulling the trigger in the semi-auto mode. In this case, do not pull the trigger furiously. Fire 5 to 6 bullets in the full-auto mode and then return to the semi-auto operation. (refer to 11P)

在半自動模式下，扣動板機后有可能沒有花火。在此情況下，不可粗暴地扣動板機。轉換到全自動模式並發射5至6發子彈，再返回到半自動模式即可。(參見11P)

- Since a precision tight barrel is used, use of dirty bullets or those with burrs causes clogging of bullets and possible fatal damage to the mechanical box and system. 因該槍使用的是精準、密封的槍管，如使用臟的子彈或粗糙的子彈會使子彈堵塞，可能嚴重損害機械箱和系統。

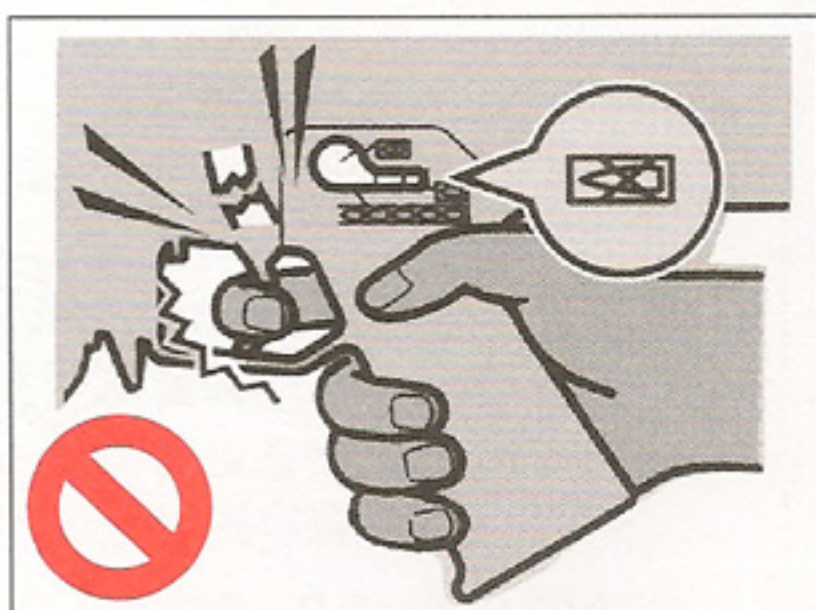
- The hopping up operation may be unstable for 200 to 300 rounds after using silicone oil, this is the normal operation of the gun. (refer to 12P, 16P) 使用硅樹脂油后，上旋操作可能在發射前200到300發子彈時不穩定。這是該槍的正常操作。(參見12P和16P)



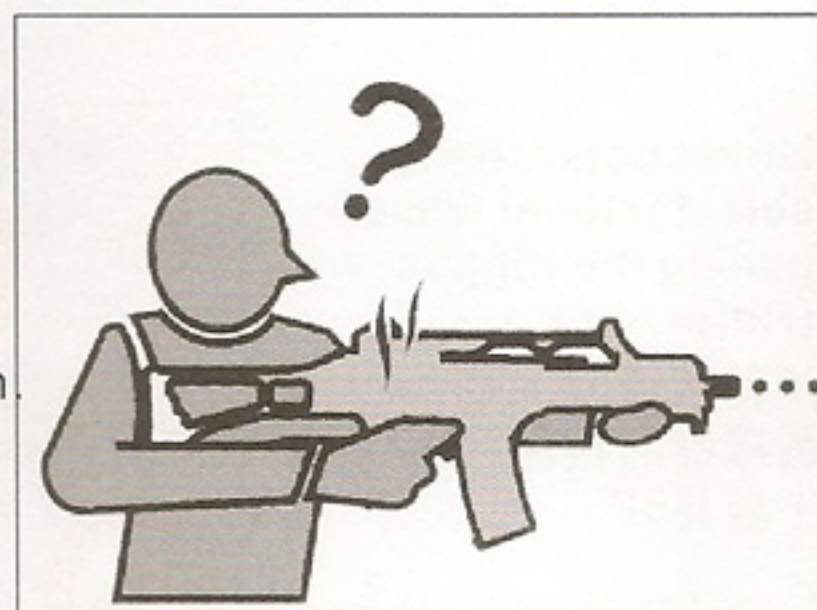
警告·注意

WARNING · CAUTION

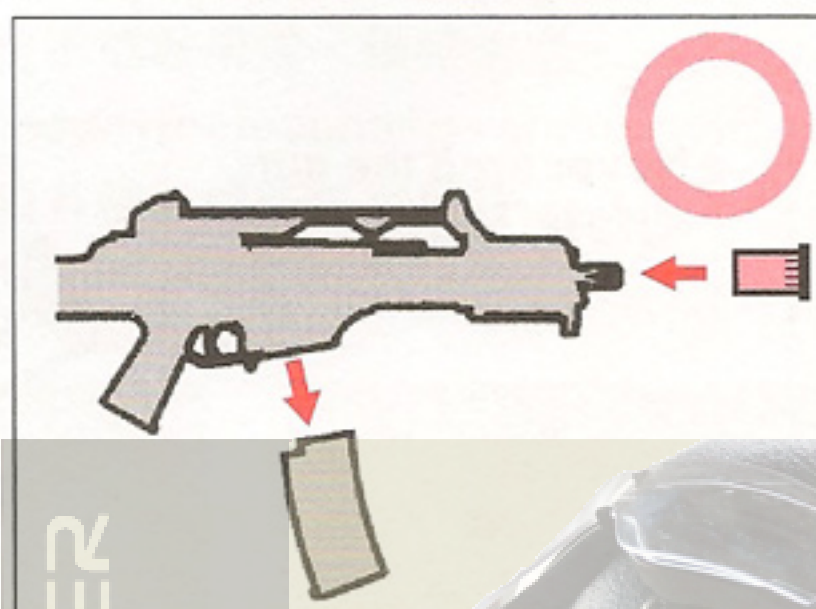
- Pulling the trigger with the Safety lever being set to safe may damage the gun. (refer to 8P)
當安全杆設置在安全檔時，扣動扳機會損害該槍。(參見8P)



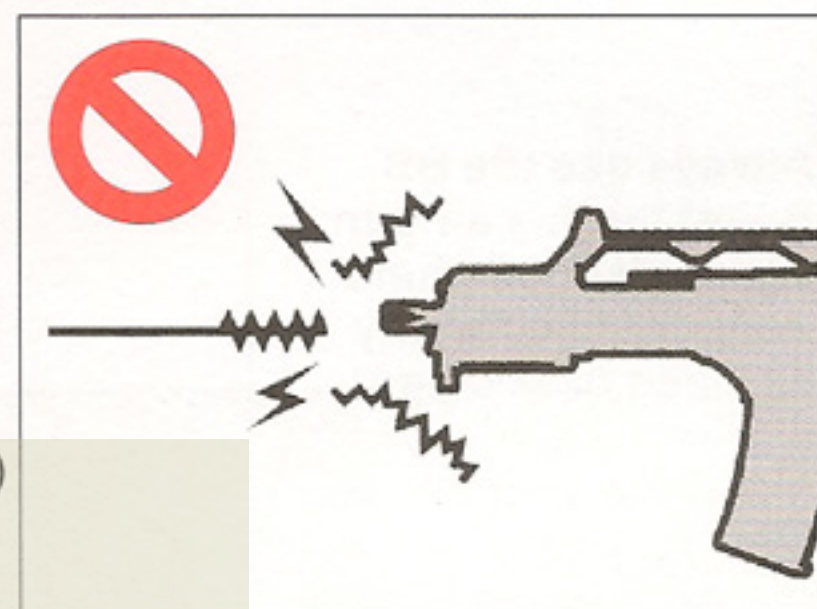
- Smell may be generated from the motor for a while when a new air gun is operated, this is the normal operation of the gun. 操作新氣槍時，馬達會暫時產生氣味。這是該槍的正常操作。



- Always attach the protective cap and disconnect the magazine to avoid sudden operation upon connecting the connector to the battery. (Refer to 9P)
將連接器連接在電池上時，請始終系上保護帽並取下子彈盒以避免突然射擊。(參見9P)



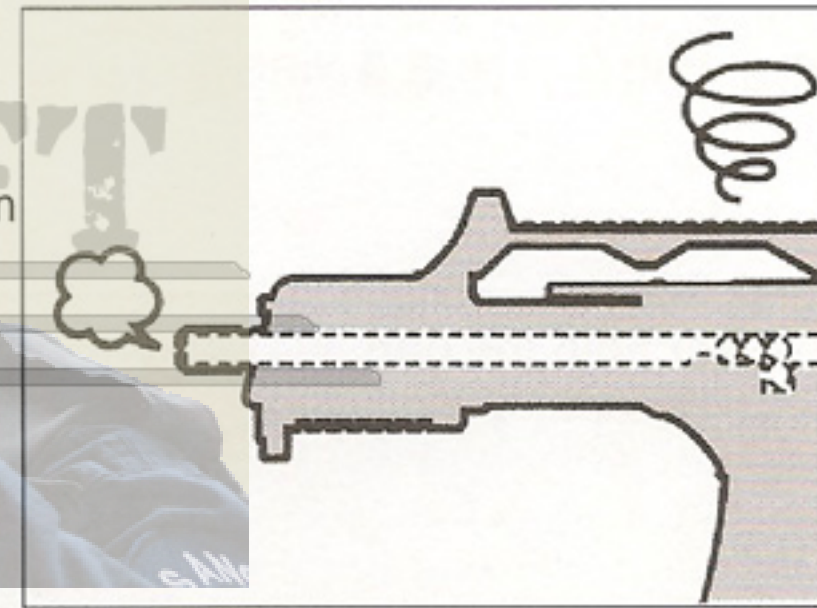
- Be careful during maintenance. As the inside chamber is precisely designed it can be damaged easily. Use of a hard brush may damage the hopchamber packing. (refer to 16P)
維修過程中請小心。因內部槍膛是精確設計的，會很容易被損壞。使用太硬的刷子可能會損壞上旋槍膛的密封圈。(參見16P)



- Don't disassemble beyond what is necessary. Or the gun may be damaged.
不是必要時，不可拆卸該槍。否則會損壞該槍。



- When bullets are clogged, immediately stop operation. Remove clogged bullets and then restart operation of the air gun. (If operation is continued with bullets being clogged, the mechanism may be damaged.) (refer to 12P, 17P)
當子彈堵塞時，請立即停止操作。取出堵塞的子彈再重新操作該氣槍。(如果子彈堵塞時還繼續操作，可能會損害機械裝置。)(參見12P和17P)



- If the hop-up is adjusted excessively causing clogging of bullets, immediately stop operating the gun, return the dial to Normal, fire 2 or 3 shots and readjust. (refer to 13P)
如果過分地調整上旋系統會導致子彈堵塞，請立即停止操作該槍，將控制盤撥回正常位置，發射2至3發子彈並重新調整。(參見13P)

- The fuse may blow out due to an electrical overcurrent. Malfunctions of the internal mechanism are possible. So, check possible faulty parts and then connect the battery again. (refer to 17P)
過電流時可能會燒斷保險絲。而導致內部機械裝置的故障。因此要檢查有可能出錯的部件及電池。(參見17P)

- Begin the maintenance after returning the hop adjustment dial to the NORMAL(HOP-OFF) position, as in the case of clearing clogged bullets as instructed above. (refer to 16P, 17P)
將上旋控制盤撥回正常模式(關閉上旋)后可開始維修，按上文所指示的方法清除堵塞的子彈。(參見16P和17P)

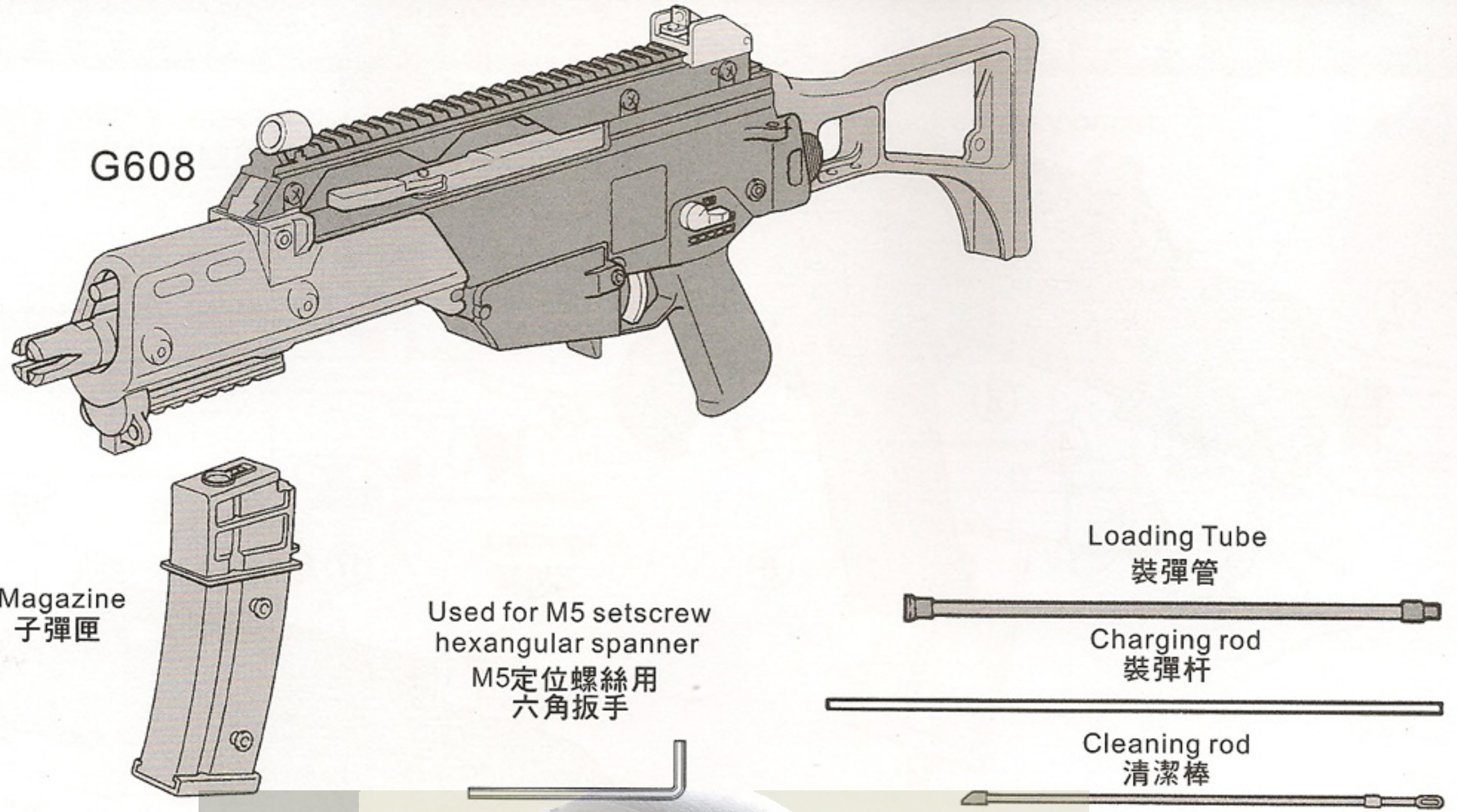
- Excessive tightening of the screw may damage the motor. (refer to 17P)
過分擰緊螺絲可能會損壞馬達。(參見17P)

- Since clogging bullets may jump out at a high speed, always wear safety goggles and confirm safety. (refer to 16P, 17P)
因堵塞的子彈會突然快速地蹦出來，請始終戴著安全護目鏡以確保安全。(參見16P和17P)

- Pay attention to the gun for fear of toppling down when you stand it against the wall.
當你拿著槍靠著牆時，注意不能顛倒該槍。

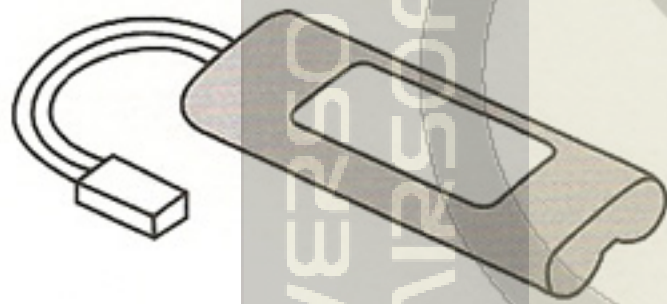
注意事項：警告·注意

配套內容

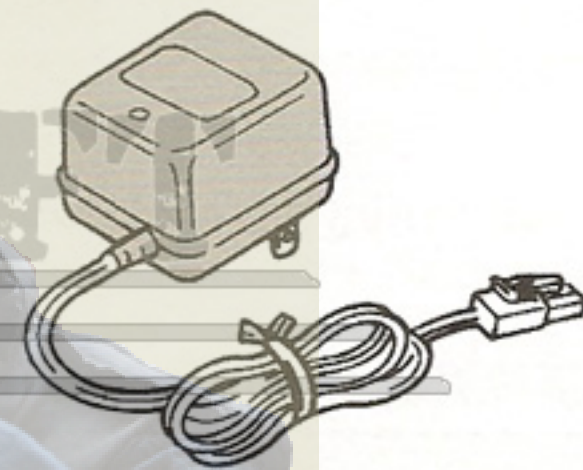


Necessary goods, which are not included in the complete set (goods not included) 配套以外的必要物品 (另購物品)

- 8.4V SD TYPE Mini Battery Pack
8.4V SD 型迷你電池組



- Exclusive Charger for Mini Battery
迷你電池的專用充電器



Use the specified battery for the gun, 8.4v, 600mah hyper command so type mini battery, avoid use of non-standard or other brand name batteries. Otherwise, the originally designed functions will not be obtained. The AK and Mini Batteries cannot be used.

對於該氣槍，請使用指定的電池8.4V 600mAh增強控制的SD型迷你電池。避免使用不標準的或其它品牌的電池。否則，將無法操作原設計的功能。不能使用AK或迷你電池。

WARNING 警告 Do not use undesignated batteries made by other companies. In such case, it may press the barrel that reduces the speed of shot or lowers hit probability.

不能使用其他公司製造的非指定的電池。否則，將會擠壓槍管降低射擊速度或者降低命中率。

Use the specified battery charger which is applicable to the above battery, The charger Exclusive Type. 使用指定的適用於上述電池的電池充電器。專用的電池充電器。

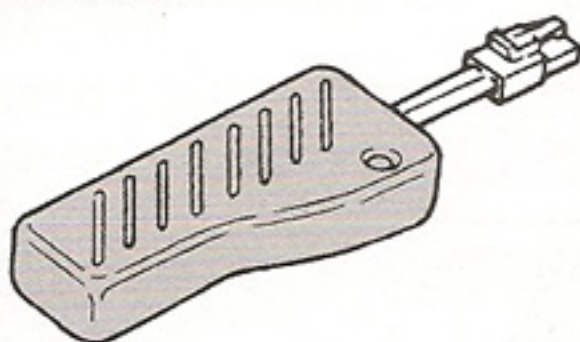
- The inner hexagonal spanner used for M3 setscrews.
M3定位螺絲用的內六角扳手 (1.5mm)



It can be used to lightly adjust while the gear wheel is joggling. Purchase it from the neighborhood dealer. It can also used to assemble the full auto tracer and the inner silencer.

用于齒輪嚙合時的微調整。可到附近的便利店購買。也可以用于全自動追蹤器和內置式消音器的裝配使用。

- Ni-cd Battery Discharger
鎳鎘電池放電器

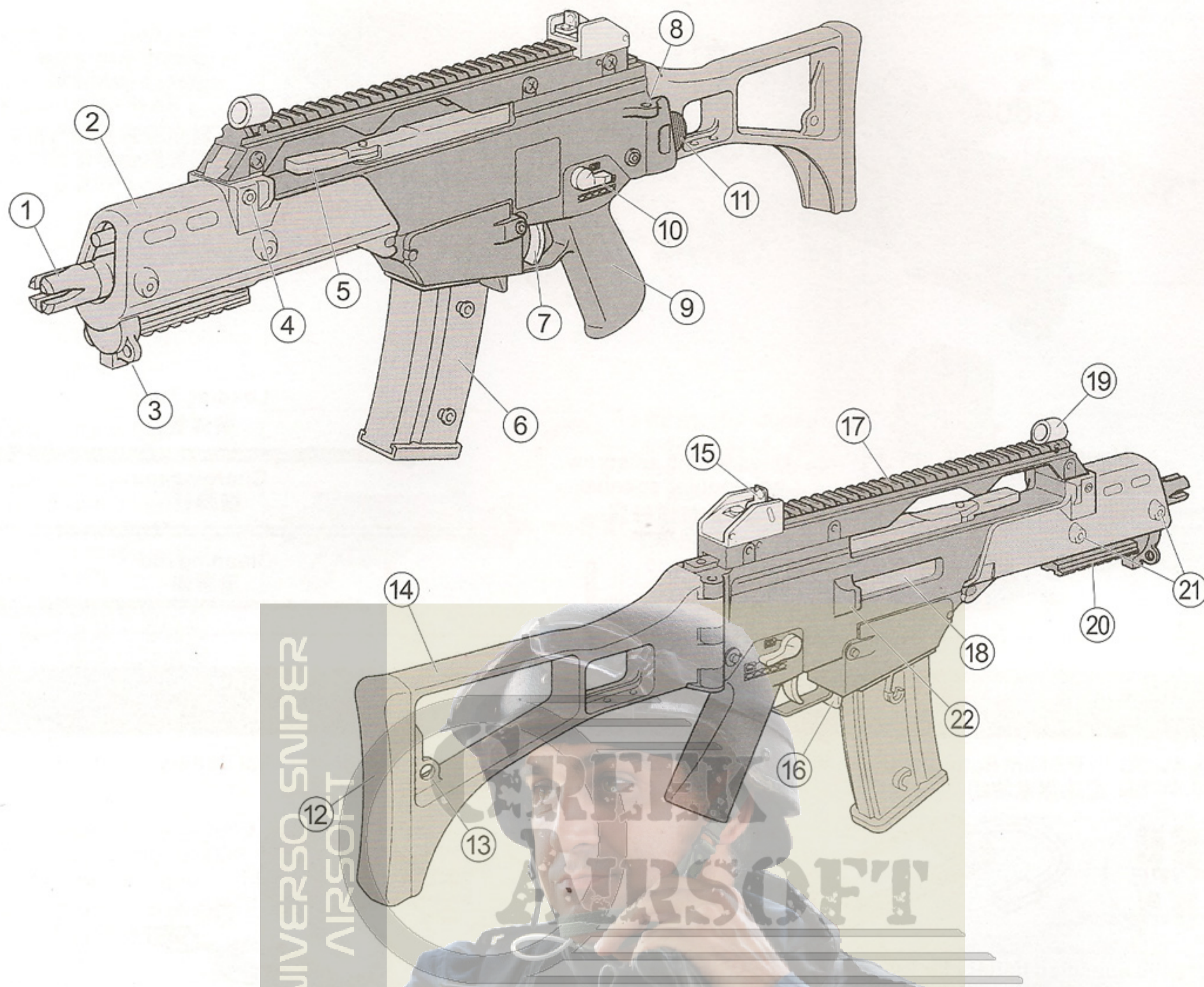


The battery's capacity power is increased with use of the Ni-cd battery Discharger (Sold separately)
使用鎳鎘電池放電器可增強電池的電量。(另購)

Use the correct battery and charger according to respective instruction manuals. We will not be held responsible for any accident or damage caused by wrongful operation or usage of non-specified batteries.

根據各自的使用說明書正確地使用電池和充電器。如果因錯誤操作或使用非指定電池而引起的任何事故或受傷，我方概不負責。

1.Component Names 各部件名稱



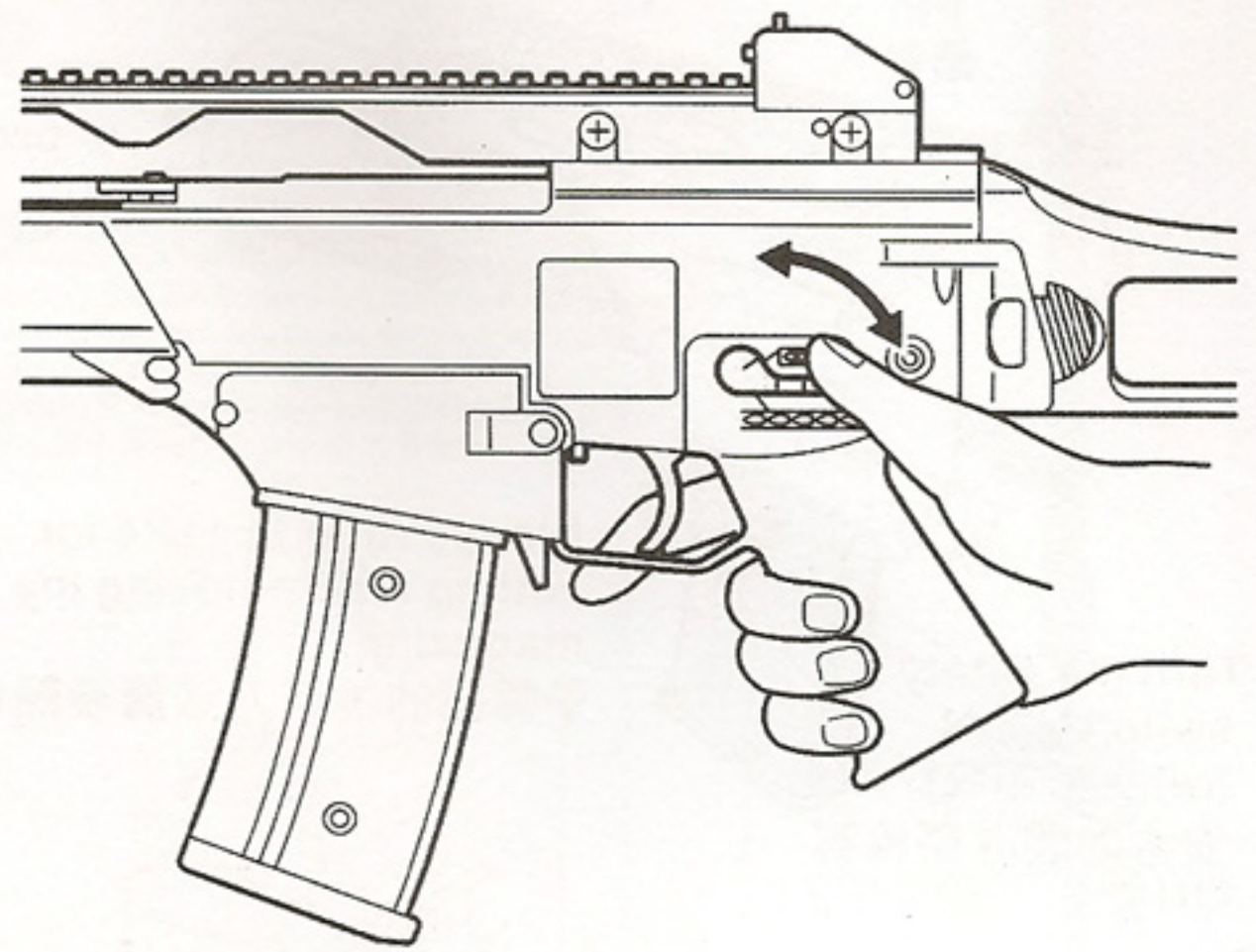
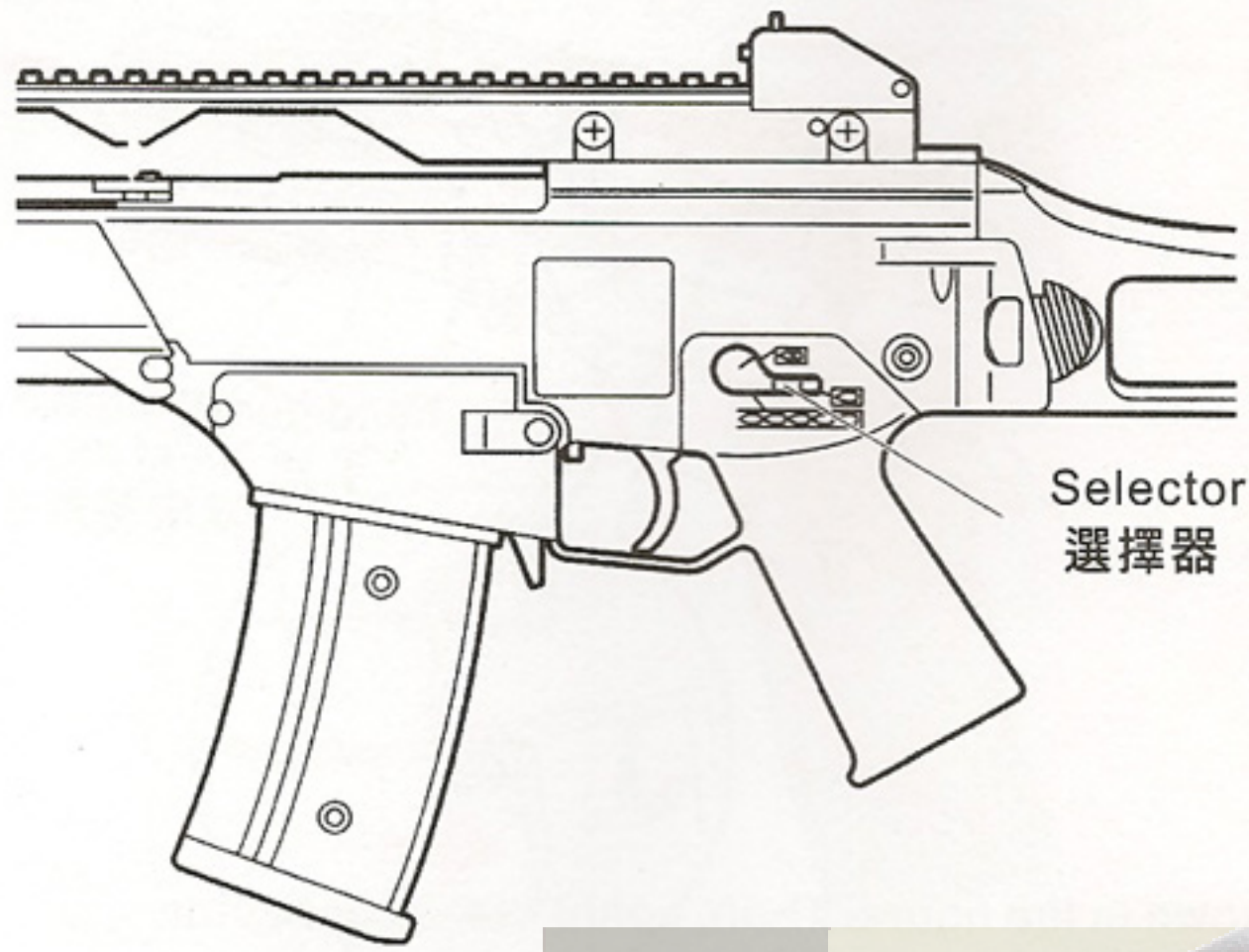
No.	名稱	No.	名稱
①	Flash Hider(Diecast) 防火罩 (壓鑄) 15P-10	⑫	Butt Plate 托底板 14P-8
②	Handguard 手托套 9P-3	⑬	Rear Sling Point 后吊帶
③	Front Sling Point (Diecast) 前吊帶 (壓鑄)	⑭	Folding Stock 折疊式槍托 14P-8
④	Lock Pin(Diecast) 鎖銷 (壓鑄) 9P-3	⑮	Rear Sight(Diecast) 后準星 (壓鑄) 14P-7
⑤	Cocking Lever 閂門 13P-6,15P-9	⑯	Magazine Catch Lever 子彈匣鎖鍵 10P-4
⑥	Magazine 子彈匣 10P-4	⑰	Long Mount Rail 長焦鏡 15P-10
⑦	Trigger (Diecast) 扳機 (壓鑄) 8P-2,11P-5	⑱	Ejection Port 排殼口 13P-6
⑧	Rear Sling Point 后吊帶	⑲	Front Sight (Diecast) 前準星 (壓鑄) 14P-7
⑨	Grip 握把 17P-11	⑳	Under Mount Rail (Diecast) 下支架 (壓鑄) 15P-10
⑩	Selector(Diecast) 選擇器 (壓鑄) 8P-2	㉑	Hard Points 轉撤器
⑪	Stock Lock Button(Diecast) 槍托鎖定按鈕 (壓鑄) 14P-8	㉒	Stock Lock Rib (Cartridge reflector) 保險裝置

2. Selector and Safety Setting (Always set the safety lever to SAFE until immediately before firing.)

選擇器及安全設置 (在即將射擊之前, 請始終將安全杆設置在安全位置)



Set the selector correctly in position; otherwise, malfunction may occur.
將選擇器設置在正確位置, 否則將引起故障。



It can be operated even with one hand.
即使單手也能操作。

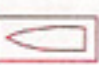
Safety switch ON
Selector position 
安全開關
選擇器位置

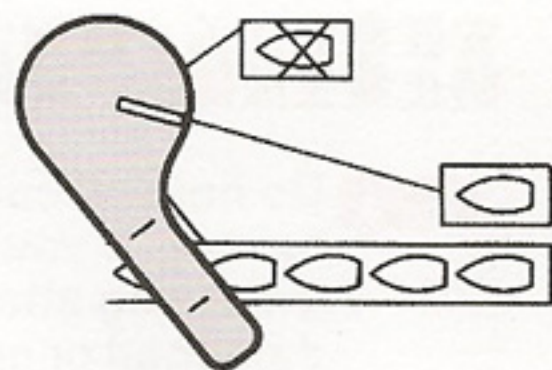


SAFETY Setting The trigger cannot be pulled.
安全設置: 不能扣動板機。

When you are not firing the gun or during storage, Always set the selector to the Safe position and attach the protective cap.


當你不開槍或存放該槍時, 請始終將選擇器設置在安全位置並系上保護帽。

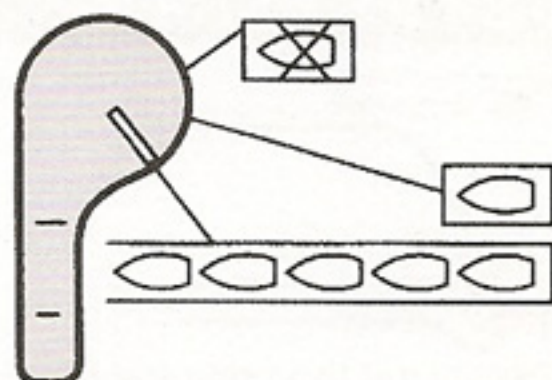
Safety switch OFF
Selector position 
安全開關
選擇器位置



SEMI AUTOMATIC (Single Shot)
半自動 (單發)

The gun will fire one shot each time the trigger is pulled.
每次扣動板機將射出一發子彈。

Safety switch OFF
Selector position 
安全開關
選擇器位置



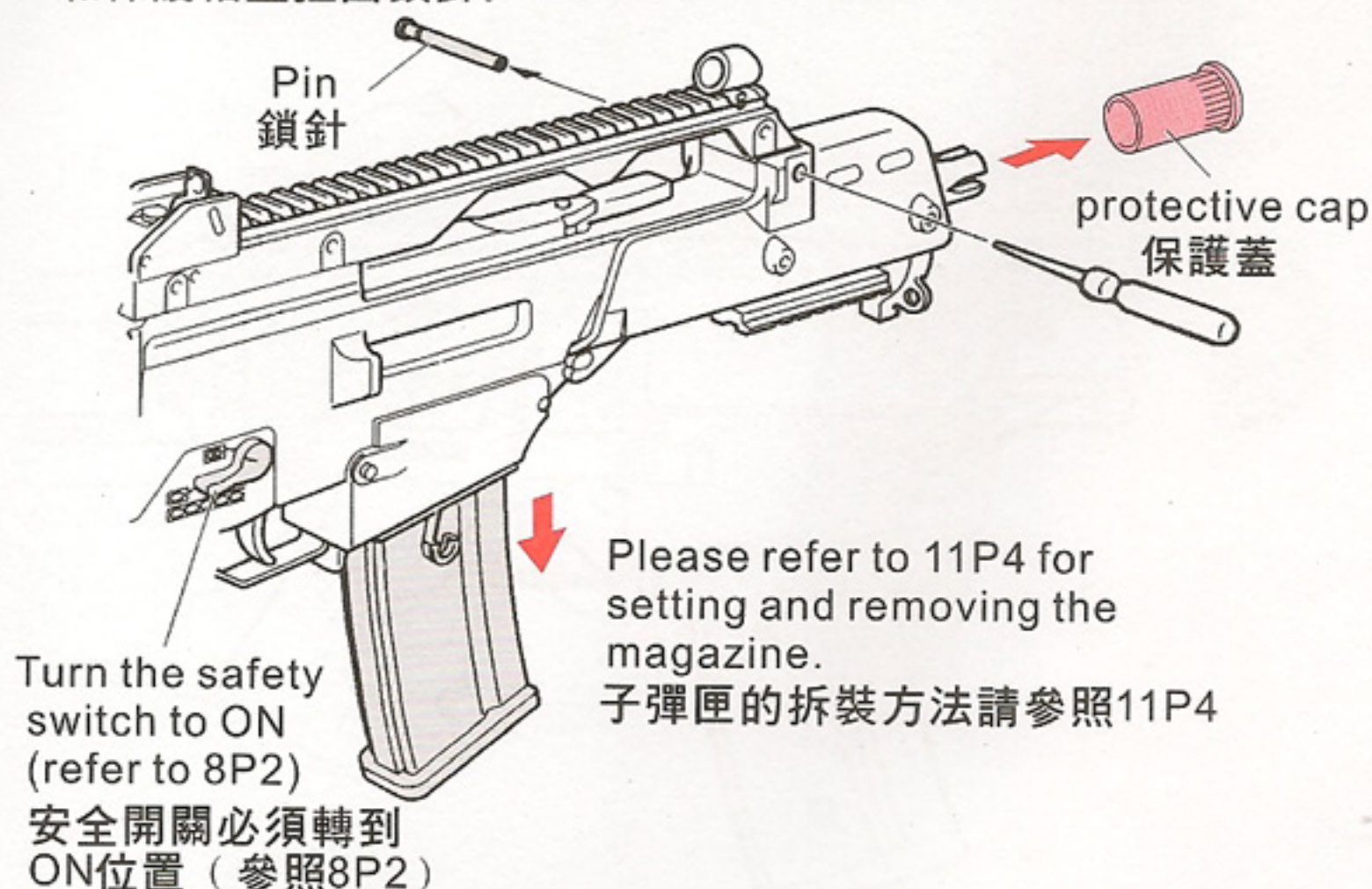
FULLY AUTOMATIC (Automatic Firing)
全自動 (自動射擊)

The gun will fire automatically while the trigger remains pulled.

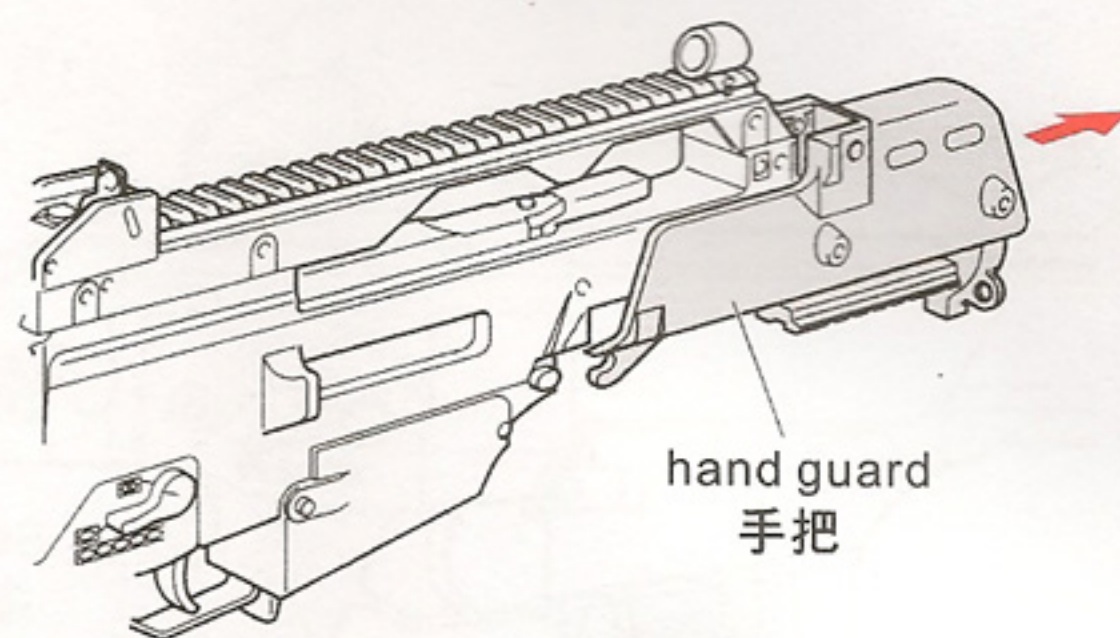
按緊板機時, 該槍將自動射擊。

3. Setting the Battery (Conduct operations hereafter charging the battery.) 安裝電池 (電池充電后執行該操作)

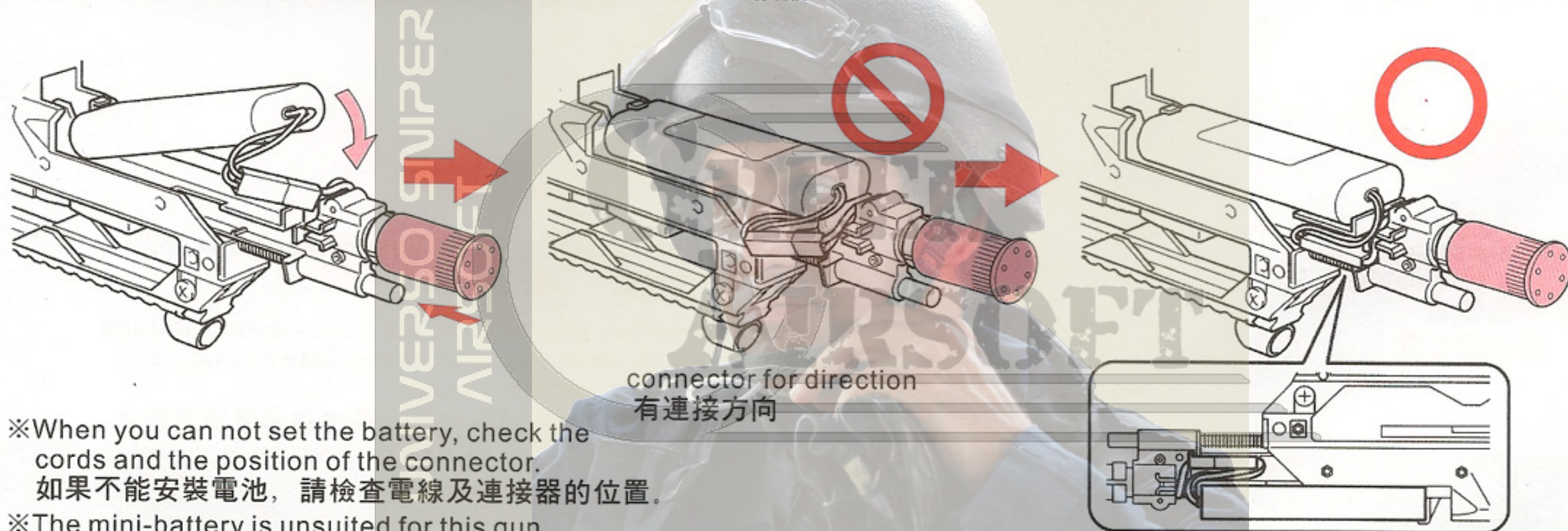
- ① Set the safety to "ON". Remove the magazine and the protective cap and pull out the lock pin using a screwdriver.
將安全設置在“開”位置。使用螺絲起子取下子彈盒和保護帽並拉出鎖針。



- ② Slide the hand guard forward and remove.
將手把向前推並拆下來。



- ③ Reattach the protective cap and set the battery to the hook as shown in the figure. Then, connect the connector.
如圖所示，重新系上保護帽並裝上電池。然后，接上連接器。



※When you can not set the battery, check the cords and the position of the connector.
如果不能安裝電池，請檢查電線及連接器的位置。

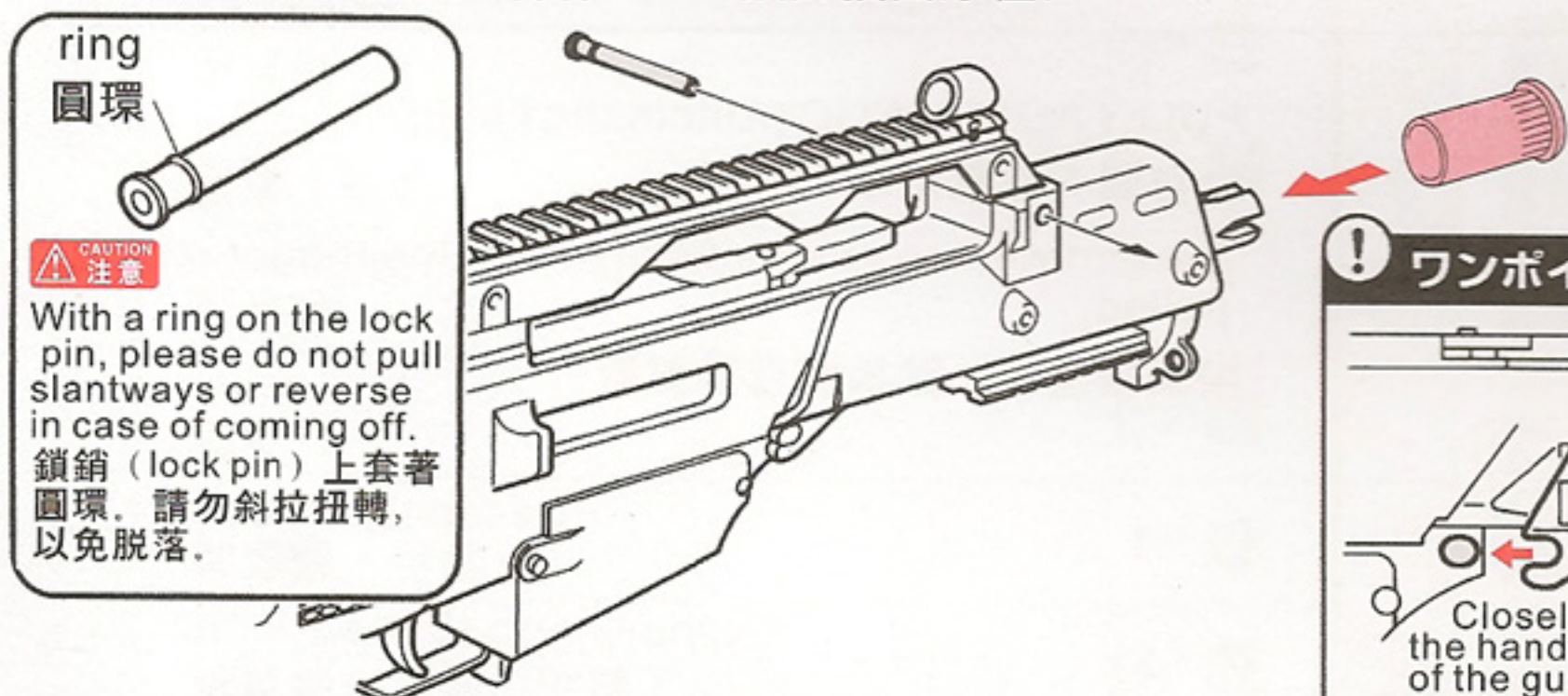
※The mini-battery is unsuited for this gun.
Make sure to use the SD battery (In case you use other batteries, it should have much effect on the speed of shot and hit probability).

迷你電池不適合該氣槍。確保使用的是SD電池。
(如果你使用的是其它電池，將大大影響射擊的速度及命中率。)

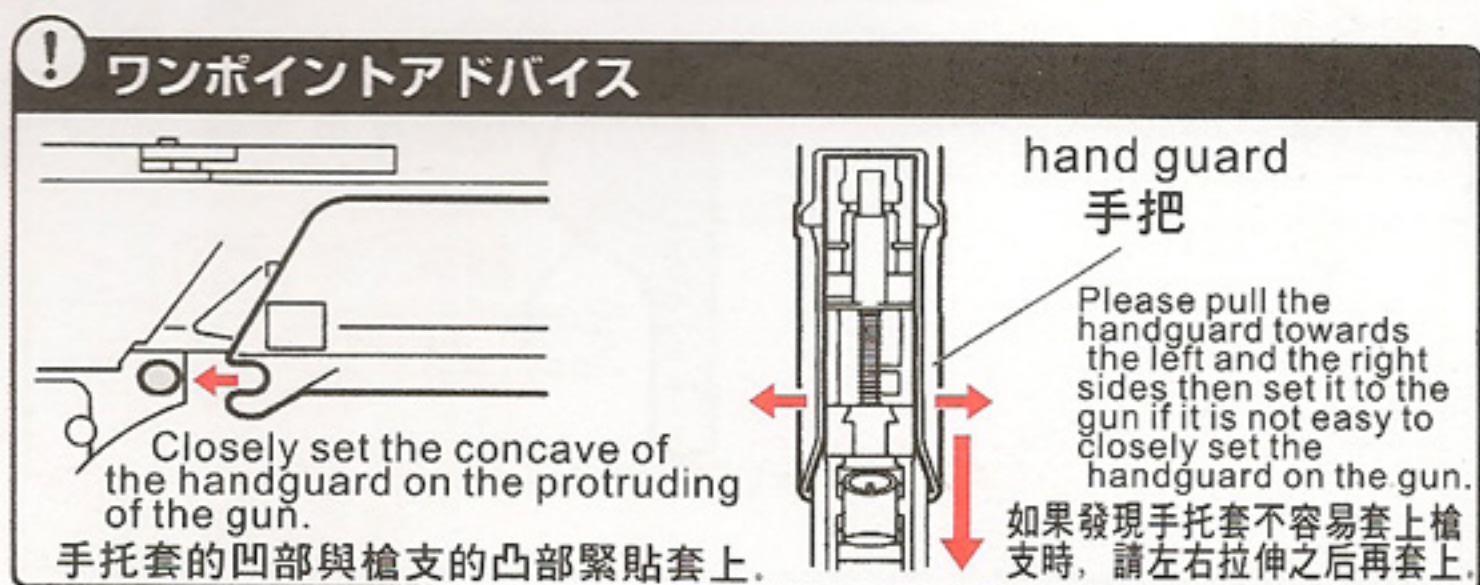
CAUTION 注意 Before setting the battery, make sure to attach the protective cap and remove the magazine to prevent malfunction (Set the selector to "safety")
安裝電池之前，請確保系上保護帽並取下子彈盒以防止發生故障。(將選擇器設置在“安全”位置)

- ④ Install the R.A.S. while securing the cords with your fingers so that they do not contact the area shown by the oblique lines and then restore the R.A.S. lock pin to the original condition.

用手指握住電線時，裝上R.A.S.，電線就不會接觸到圖中斜線指出的地方，然后将R.A.S.鎖針插回原位。

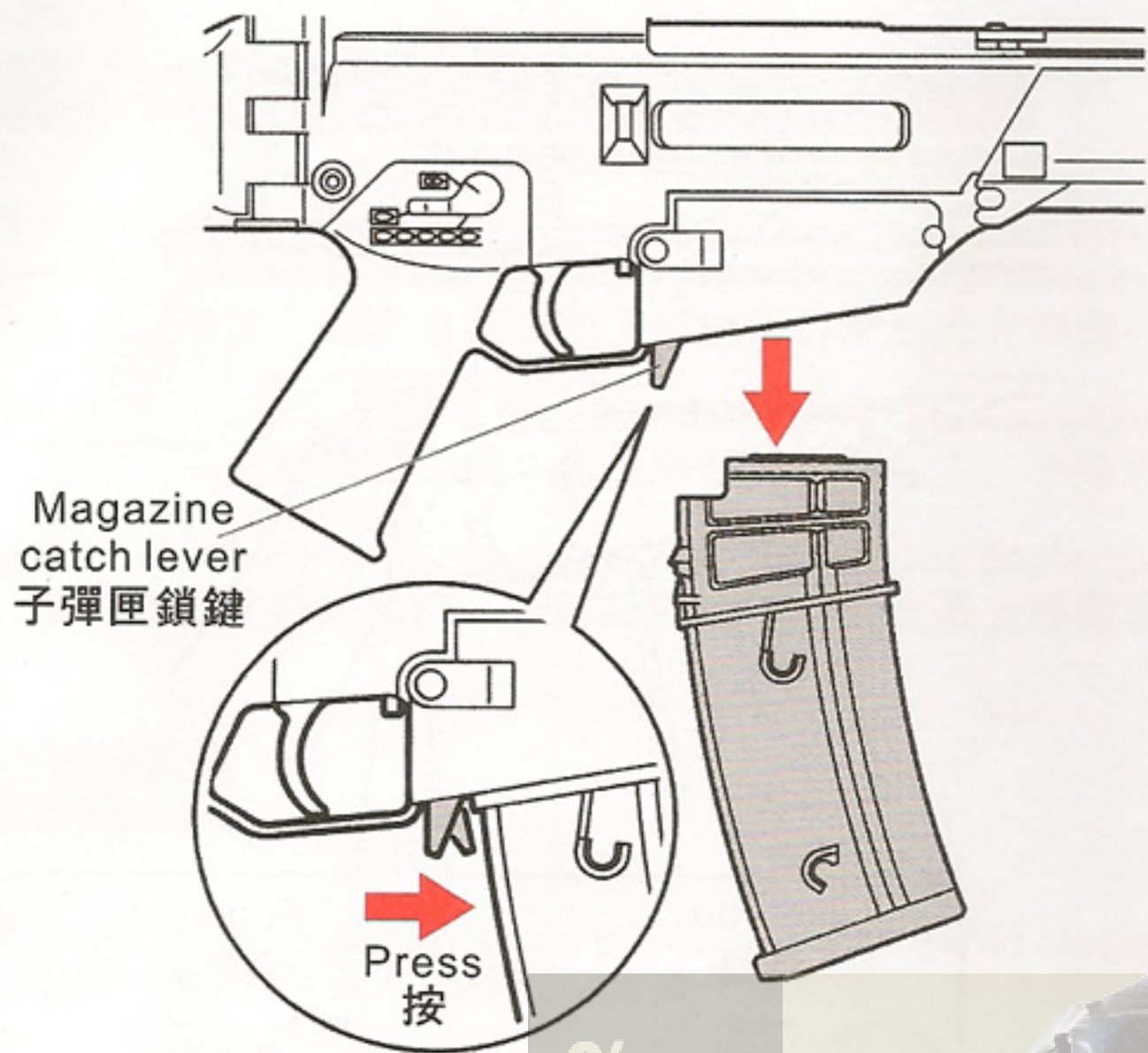


CAUTION 注意 Do not pull out the lock pin at a slant or with turning. If you do not follow this instruction, the O ring attached to the lock pin may be damaged or come off.
不能斜著或扭曲地拉出鎖針。如果你不遵照該說明，附在鎖針上的O型圈可能會被損壞或脫落。

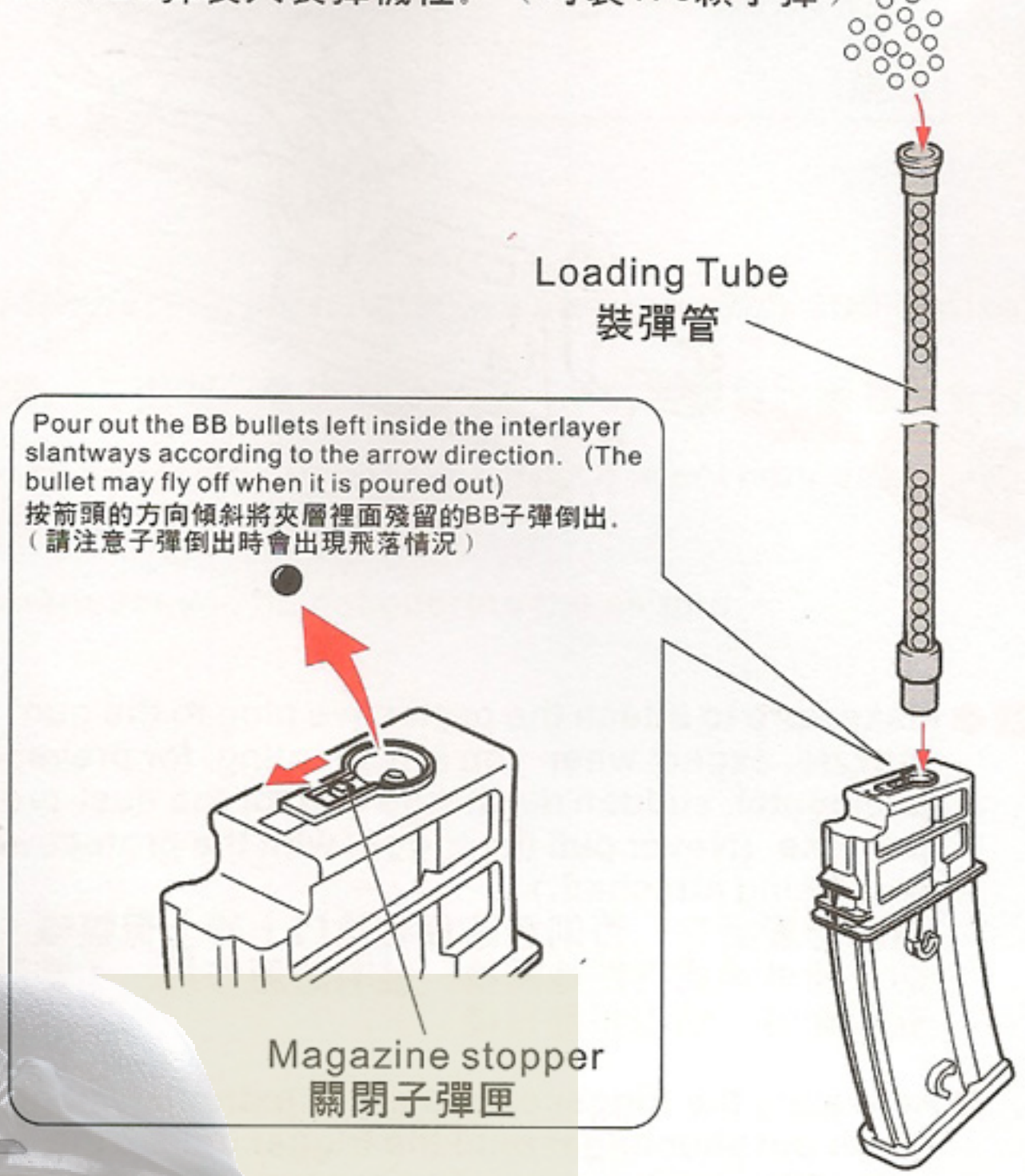


4. Setting the Magazine 安裝子彈盒

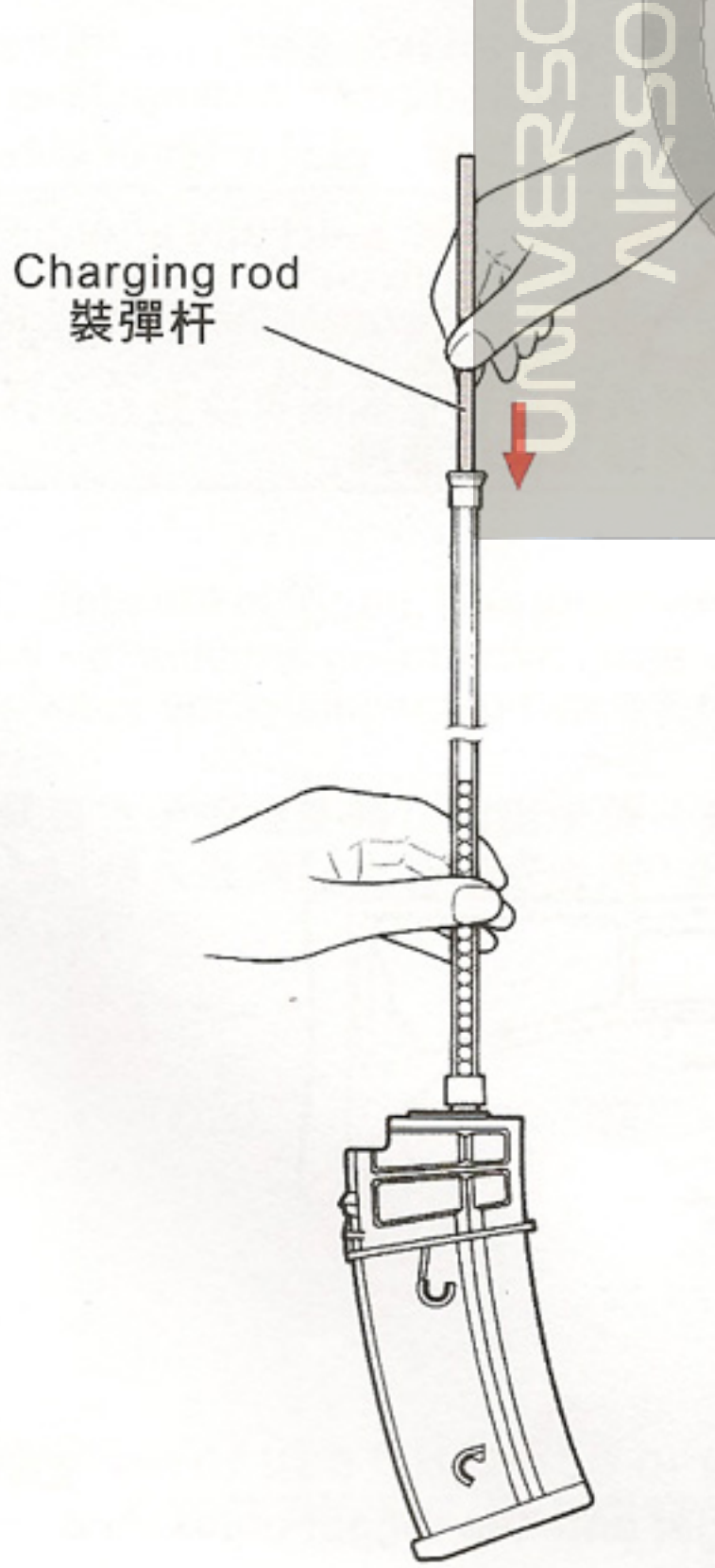
① Press the magazine release to remove the magazine. (Support the magazine as it may drop.)
 按下子彈盒的脫扣裝置以拆下子彈盒。(托住子彈盒以防止其掉下來)



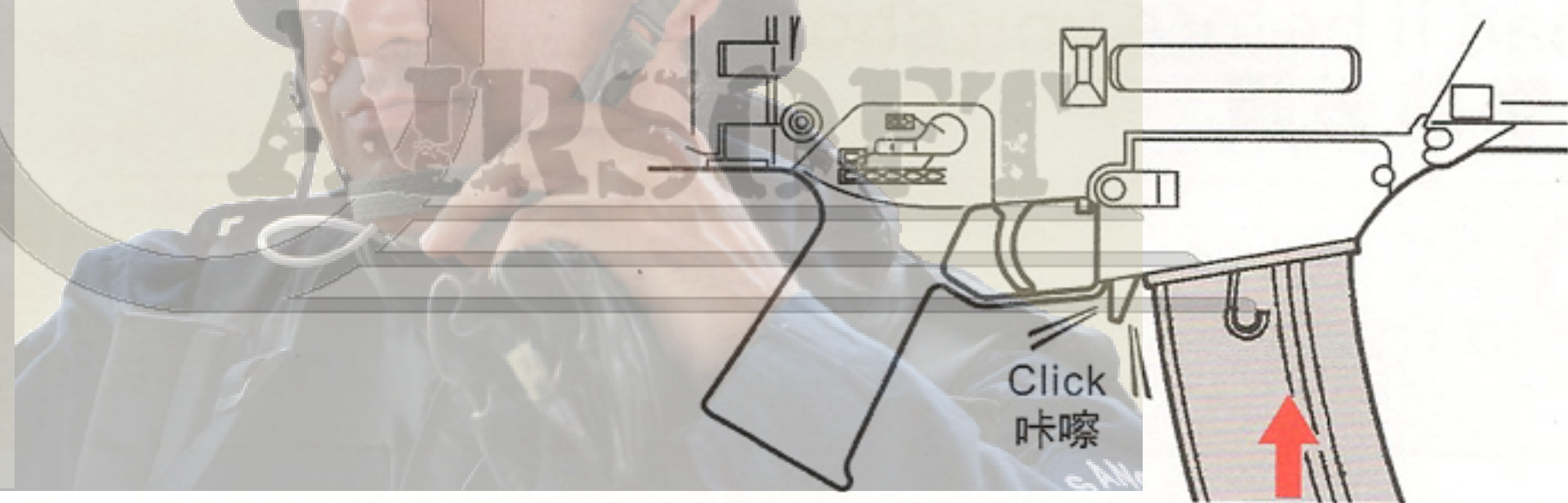
② Insert 6mm BB bullets supplied by into the charger. (470 bullets can be inserted.)
 6mm Bb彈裝入裝彈機裡。(可裝470顆子彈)



③ Press in bullets using the charging rod.
 使用裝彈杆壓入子彈。

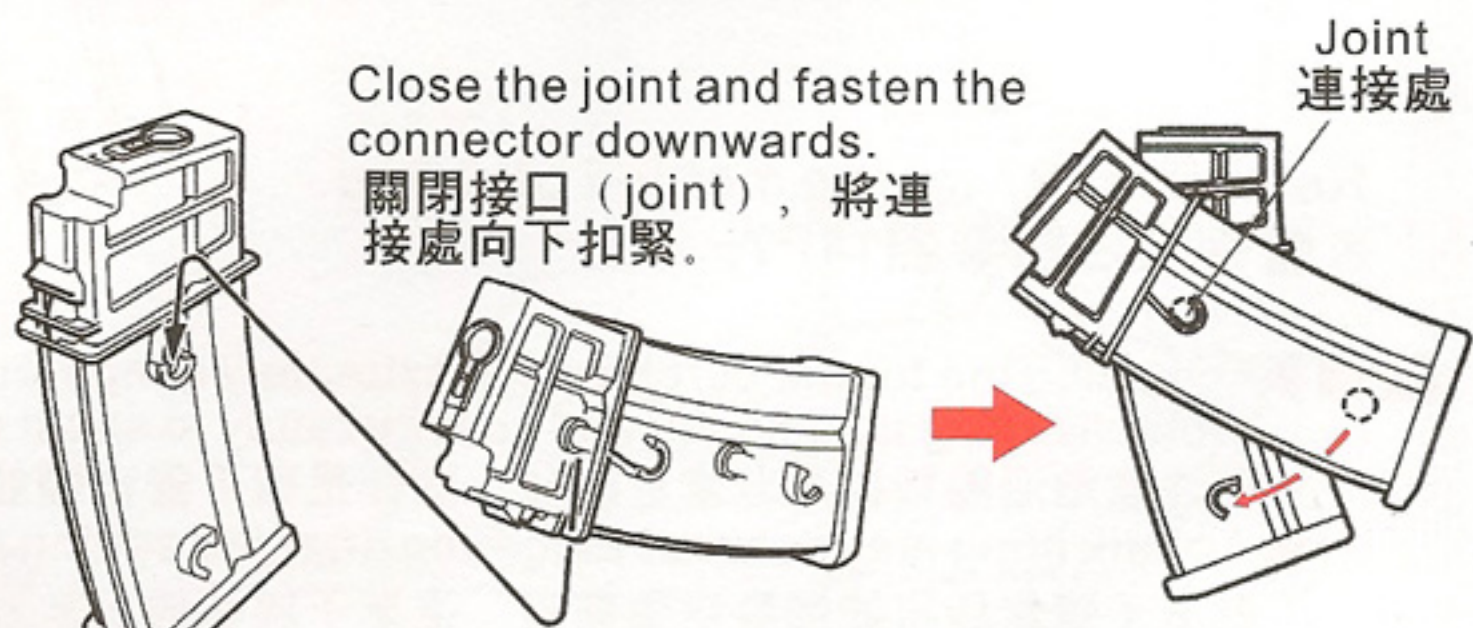


④ Make sure to set the magazine upwards and connect it firmly until a click sound is heard.
 確保將子彈盒向上，緊緊地裝上子彈盒直到聽到卡嗒一聲。



- CAUTION 注意** Confirm that the safety lever is set to the safety position and don't place your finger on the trigger.
 確認將安全杆設置在安全位置,並且手指不可以放在扳機上。
- Pushing down the magazine strongly may cause damage to the gun or the magazine.
 粗暴地推下子彈盒可能損壞氣槍或子彈盒。
 - Some bullets fall when you pull out the magazine.
 拉出子彈盒時, 會有一些子彈掉出來。

※ You can joint the magazine (Pull out the magazine from the gun).
 你可以連接子彈盒。(將子彈盒從槍裡拉出來。)



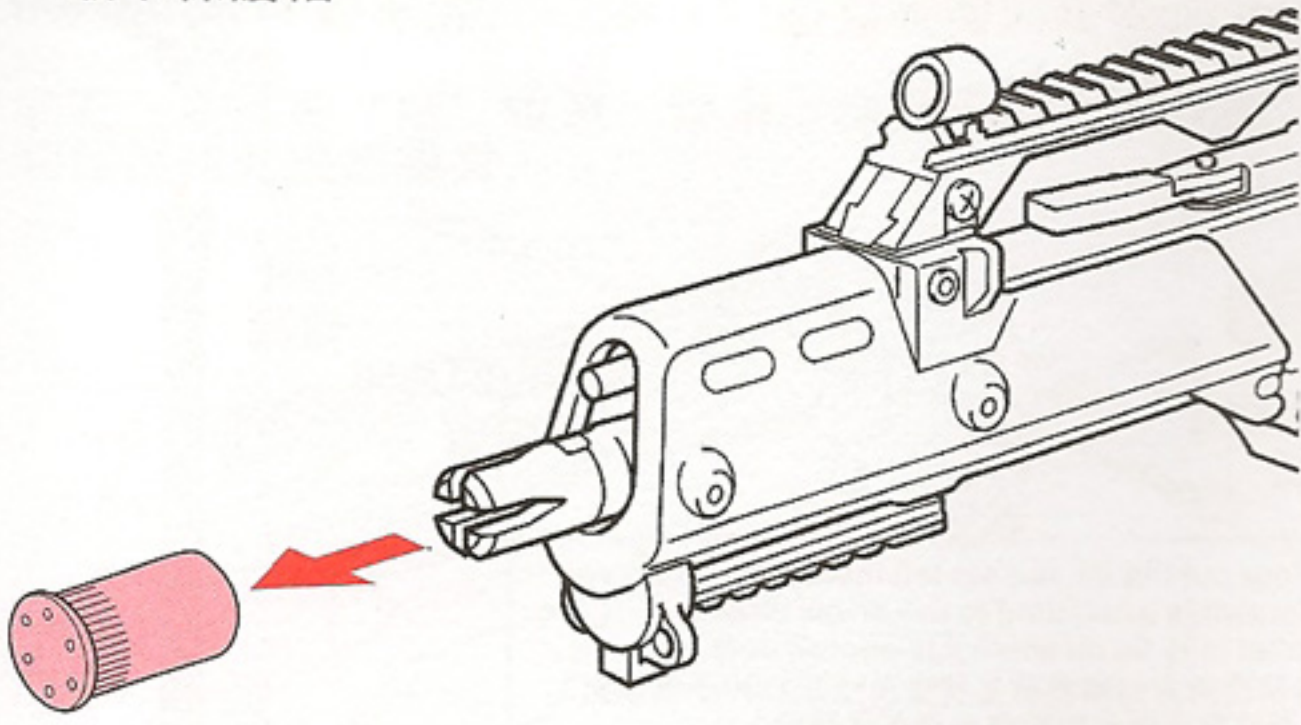
Connect the joint of magazine with the right side.
 ※將子彈匣接口處與右側連接。

CAUTION 注意 The magazine is capable of containing 470 rounds.
 子彈盒能裝470發子彈。

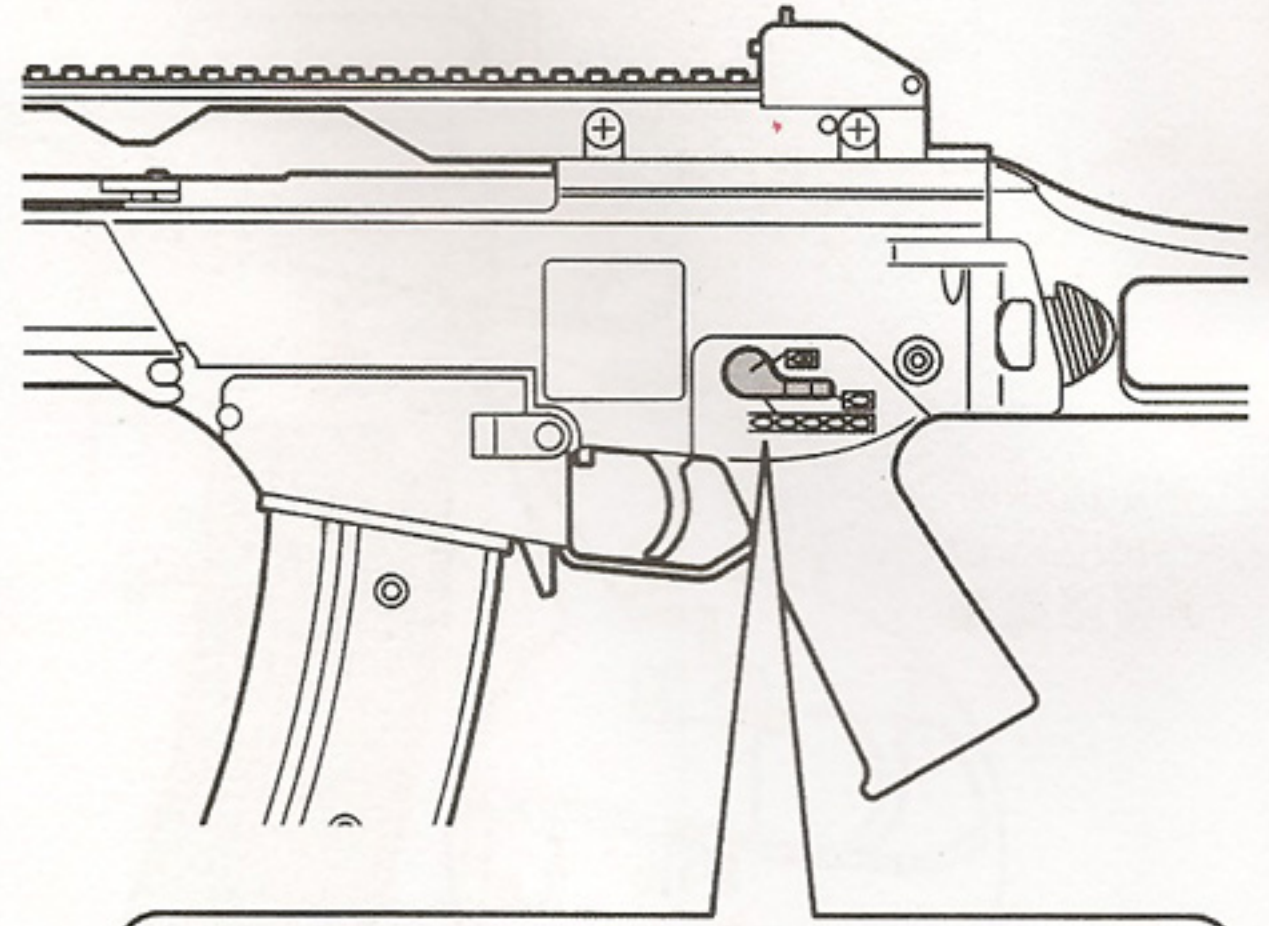
5. FIRING (Confirm safety sufficiently before beginning firing.)

射擊 (射擊前要充分確保安全)

- ① Remove the protective cap.
取下保護帽



- ② Set the selector lever to Semi or Full Auto.
將選擇器控制杆設置在半自動或全自動位置。

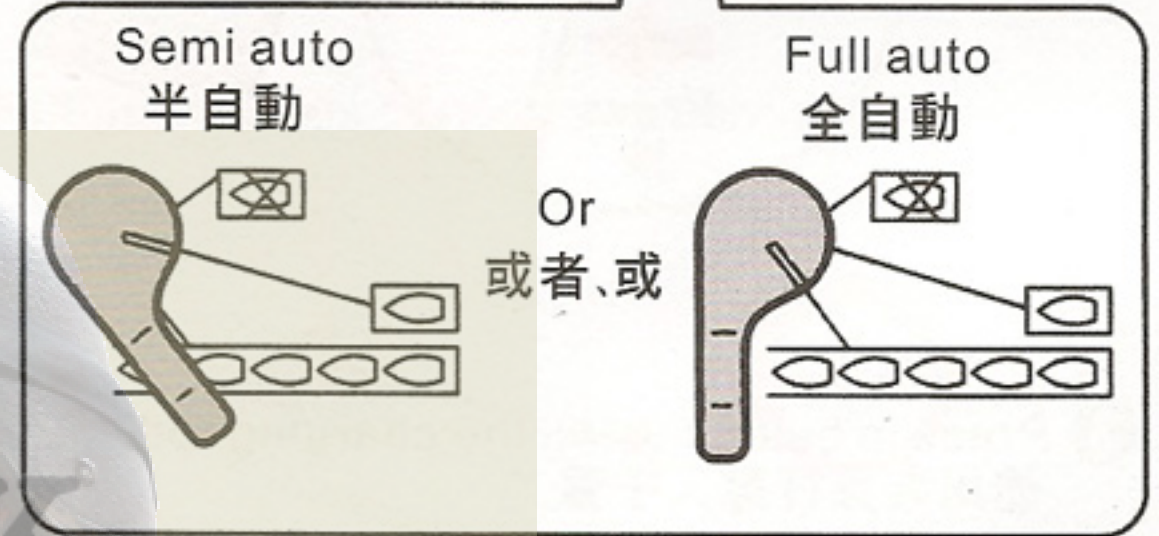


CAUTION 注意 ● Make sure to attach the protective plug to the gun muzzle, except when you are shooting, for preventing accidental, sudden discharge and for the dust-proof purpose. (Never pull the trigger with the protective plug being attached.)

除非你要射擊，否則請確保在槍口上套上保護帽，以防止意外地或突然地開槍，並有防塵作用。（當系上保護帽時，切勿扣動板機。）

- Activating the trigger carelessly is extremely dangerous. Never put your finger onto the trigger unless the protective plug is removed and you are ready to shoot a target.

不注意地活動板機是非常危險的。除非是取下保護帽並準備射擊目標時，否則切勿將手指放在板機上。



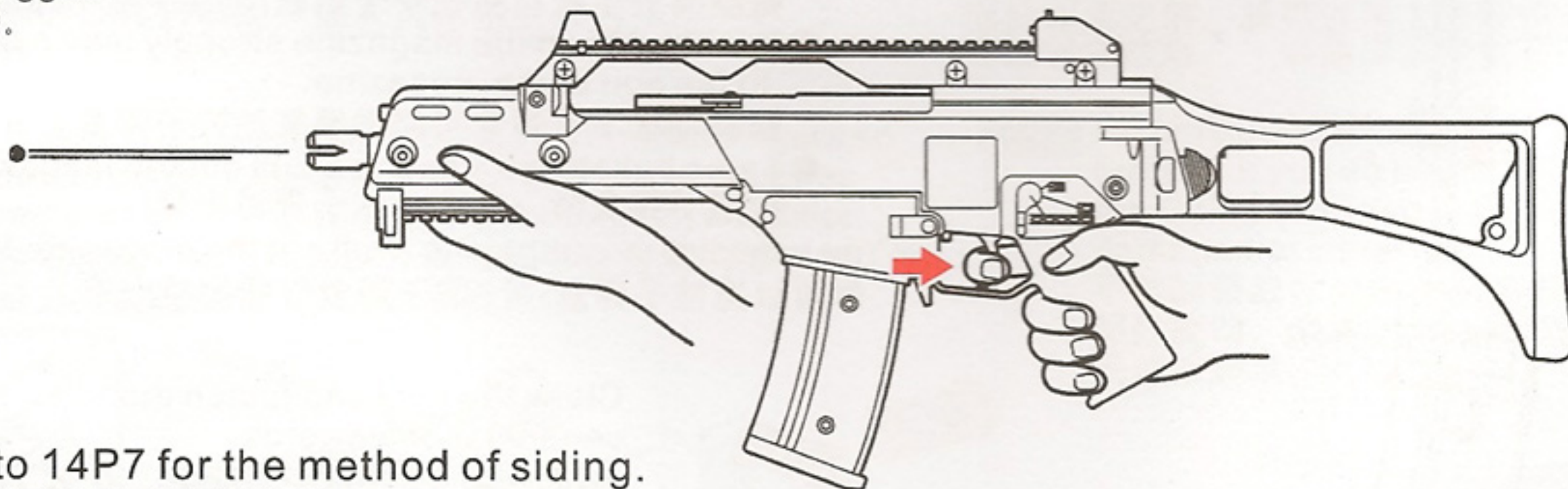
Read it before you shoot. 射擊前必讀

Prohibition symbol Never aim the gun at people or animals.
禁止把槍口對著人或動物。

Prohibition symbol Never shoot in the place where there are crowded people and heavy traffic or something explosive and flammable.
禁止在人多車雜的地方或易爆易燃的地方進行射擊。

Prohibition symbol Shooters must pay attention to the surrounding environment and put on goggles while do the shooting.
射擊者務必留意周圍環境並且必須帶著護眼罩進行活動。

- ③ Pull the trigger.
扣動板機。



Refer to 14P7 for the method of siding.
※ 壁板方法請參照14P7。

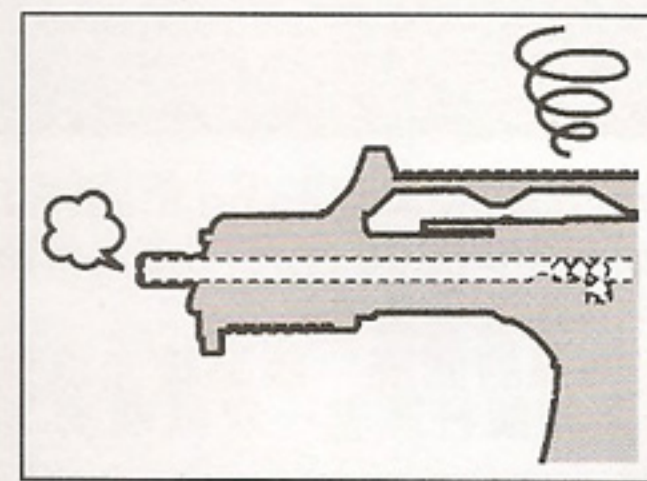
CAUTION 注意 ● Activating the trigger carelessly is extremely dangerous. Never put your finger onto the trigger unless the protective plug is removed and you are ready to shoot a target.

不注意地活動板機是非常危險的。除非是取下安全帽並準備射擊目標時，否則切勿將手指放在板機上。

- A blank firing may occur at triggering after the setting the magazine, this is the normal operation of the gun.
裝上子彈盒后可能觸發空彈發射。這屬於該槍的正常操作。

It won't cause trouble when there are only 2 BB bullets left in the chamber.
盒內可剩餘2發BB子彈而不產生故障。

- CAUTION 注意** When bullets are clogged, immediately stop operation. Remove clogged bullets and then restart operation of the air gun. (If operation is continued with bullets being clogged, the mechanism may be damaged.)
 當發生子彈堵塞時，請立即停止操作。取出堵塞的子彈后再重新操作該氣槍。（如果在子彈堵塞的情況下繼續使用該槍，將損壞該槍的機械裝置。）



After Operation 使用之后

- Remove the magazine and dry fire the gun in the semi auto mode directing the muzzle to a safe direction. (Otherwise, the spring may be weakened.) Set the selector Safe position.
 拆下子彈盒，在半自動模式下將槍口對準安全方向進行空彈射擊。（否則，會使彈簧變弱。）將選擇器設置在安全位置。
- Bullets may remain in the chamber even if the magazine contains no bullets (or if the magazine is not connected).
 即使子彈盒裡沒有子彈（或沒有裝上子彈盒），子彈仍有可能留在槍膛裡。
- Always disconnect the battery and attach the protective cap whenever you do not operate the air gun.
 當你不使用該氣槍時，請始終將電池取出並系上保護帽。

WARNING 警告

- Make sure no dirt gets into the chamber to avoid clogging of bullets.
 確保沒有污垢進入槍膛裡以避免子彈堵塞。

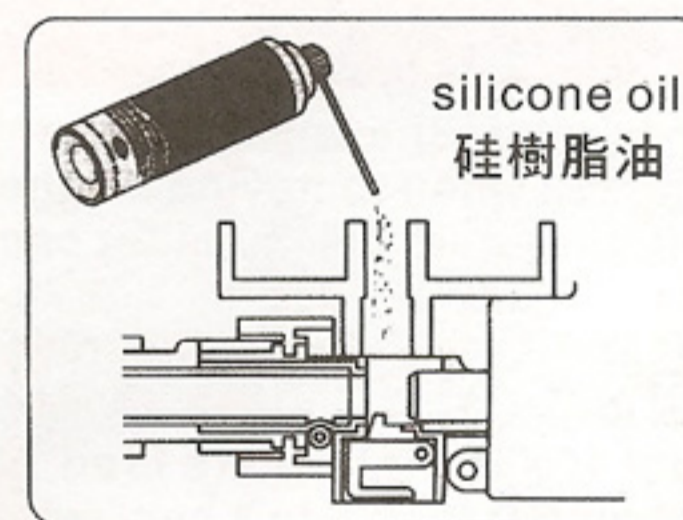
Cautions on Motor and Battery 馬達及電池注意事項

- Charge the battery if the firing cycle becomes slow.
 如果射擊周期變慢，請更換電池。
- Give the air gun a rest for 5 to 10 minutes after firing about 500 rounds, in order to ensure long service lives of the motor and battery.
 每射擊500發子彈后，讓氣槍休息5至10分鐘，以確保馬達和電池的使用壽命更長。

When Bullets Are Clogged 當發生子彈堵塞時

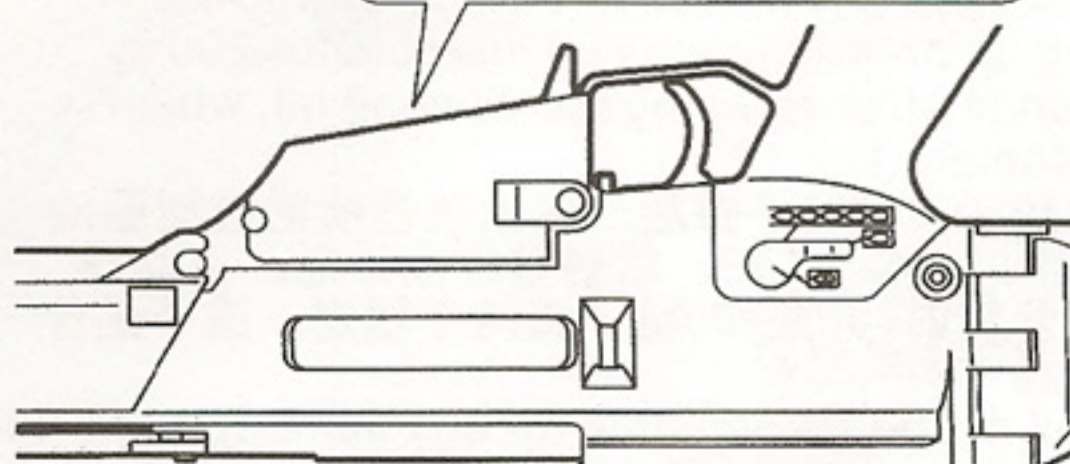
- If bullets are clogged, remove them (refer to 17P 11 2) and apply a few drops of silicone oil into the chamber from the magazine entrance as shown or spray silicone oil for 0.5 to 1 sec, to obtain smooth continuous firing.

如果發生子彈堵塞時，取出子彈（參見17P 11 2）。如圖所示，從子彈盒入口滴入幾滴硅樹脂油或者噴0.5至1秒硅樹脂油，以使接下來的射擊更加順利。



- CAUTION 注意** Never use CRC-556 or other mineral oil.
 切勿使用CRC-556或者其它礦物油。

Always attach the protective cap during storage
 存放氣槍時，請始終系上保護帽。

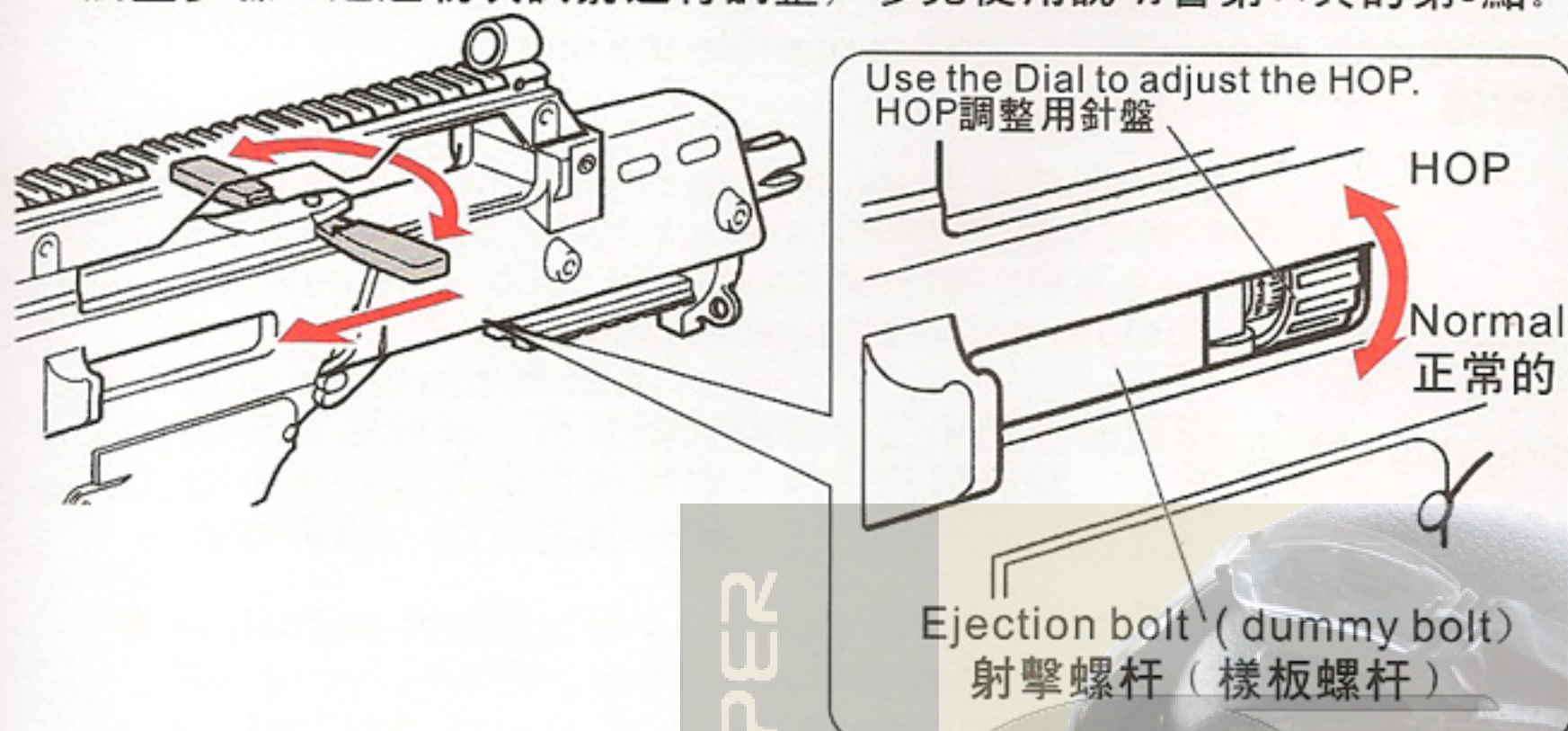


6. Direction for the variable Hop Up System 可變的上旋系統說明

By producing a back-spin on the BB bullets, this system allows for straighter and longer distance shooting than normal air guns. Unlike the fixed type, the variable hope up system permits one-touch adjustments using the dial and lever, making it an ideal hop up system.

通過製造BB彈的回旋，該系統允許比普通氣槍更直更長距離的射擊。不像其它固定設置的類型，變化多端的上旋系統使用控制盤及控制杆調整一次就能創造出理想的上旋系統。

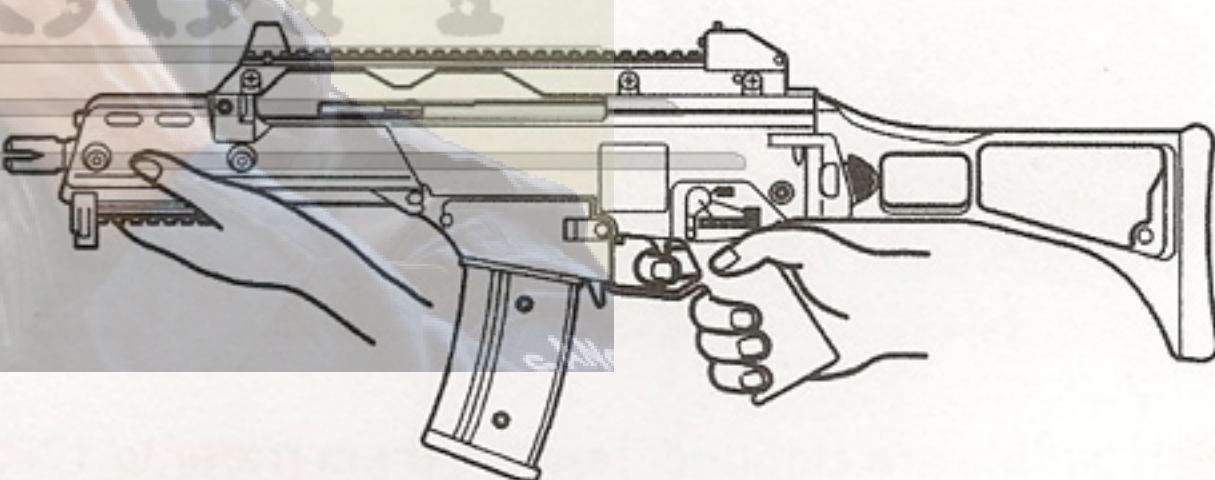
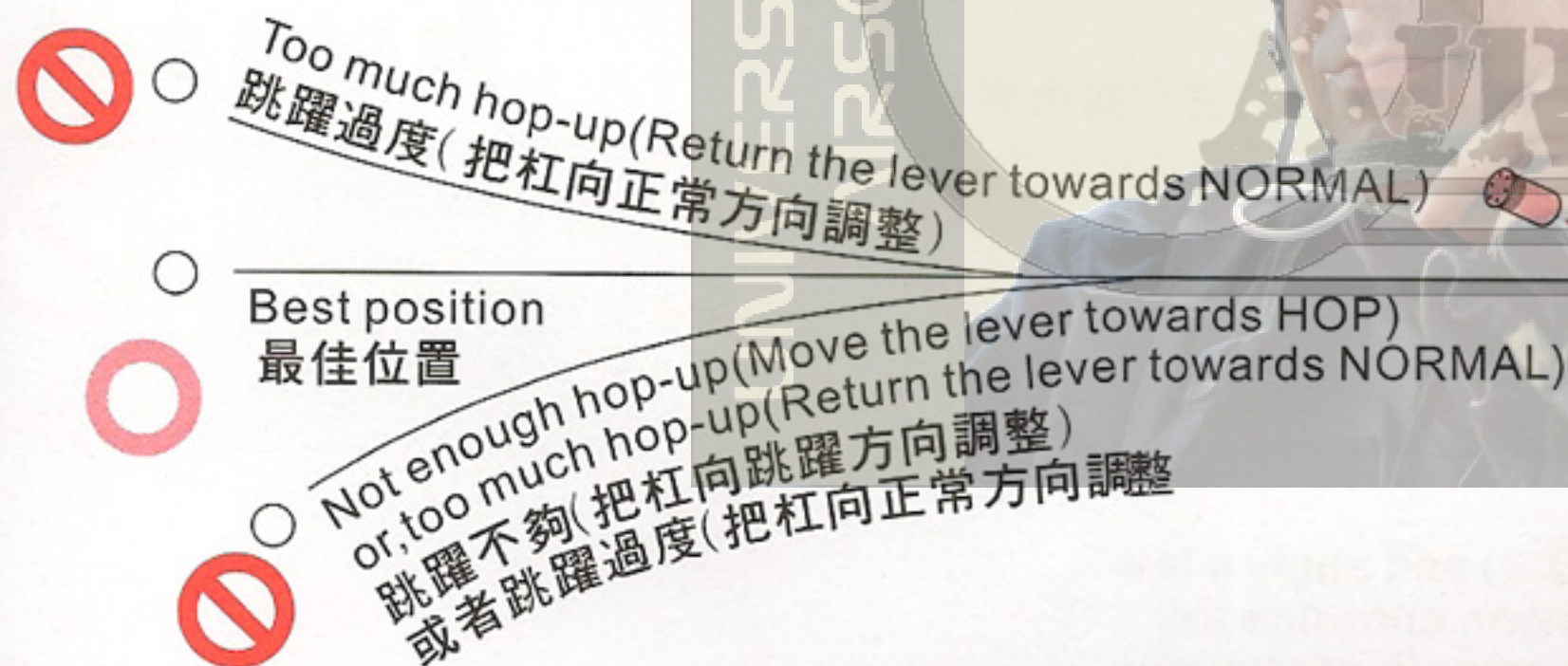
- CAUTION 注意**
 - Moving the lever too much towards HOP causes bullets to clog. Keep pulling the trigger with bullets being clogged damages the piston and gears.
朝著上旋方向過分移動控制杆將導致子彈堵塞。當子彈堵塞時，不斷地扣動板機將損壞活塞及齒輪。
 - If bullet clogging occurs, immediately stop firing the gun, return the hop adjustment dial to the Normal position and remove clogging bullets using the cleaning rod. (refer to 17P 圖 2)
如果發生子彈堵塞，立即停止射擊該槍，並將上旋調整控制盤撥回正常位置，然後使用清彈杆取出堵塞的子彈。（參見17P 圖 2）
 - Never use used and dirty bullets. (Otherwise, the chamber becomes dirty, resulting in instable hopping up.)
切勿使用已用過的或弄臟了的子彈。（否則會弄臟槍膛，造成不穩定的上旋。）
- ▶ Adjustments Procedure (Adjust by carrying out trial firing, referring to 5 on page 11 of the instruction manual.)
調整步驟（通過初次試射進行調整，參見使用說明書第11頁的第5點。）



- Keep pulling the cocking lever while adjusting the dial.
調整控制盤時要不斷地拉壓簧杆。
- Turning excessively adversely affects the trajectory. So, stop turning the hop adjustments dial when bullets fly horizontally.
過分地逆向調整會影響彈道。因此，當子彈水平射出時，請停止轉動上旋調整控制盤。
- The hop up dial can only be turned a certain amount. Turning it too much will damage it.
上旋控制盤只能轉動一定量。過多的轉動會損壞控制盤。

WARNING 警告 The bolt is made of thin metal. Be careful not to pinch your finger.
槍栓由薄金屬製成。小心不要夾痛手指。

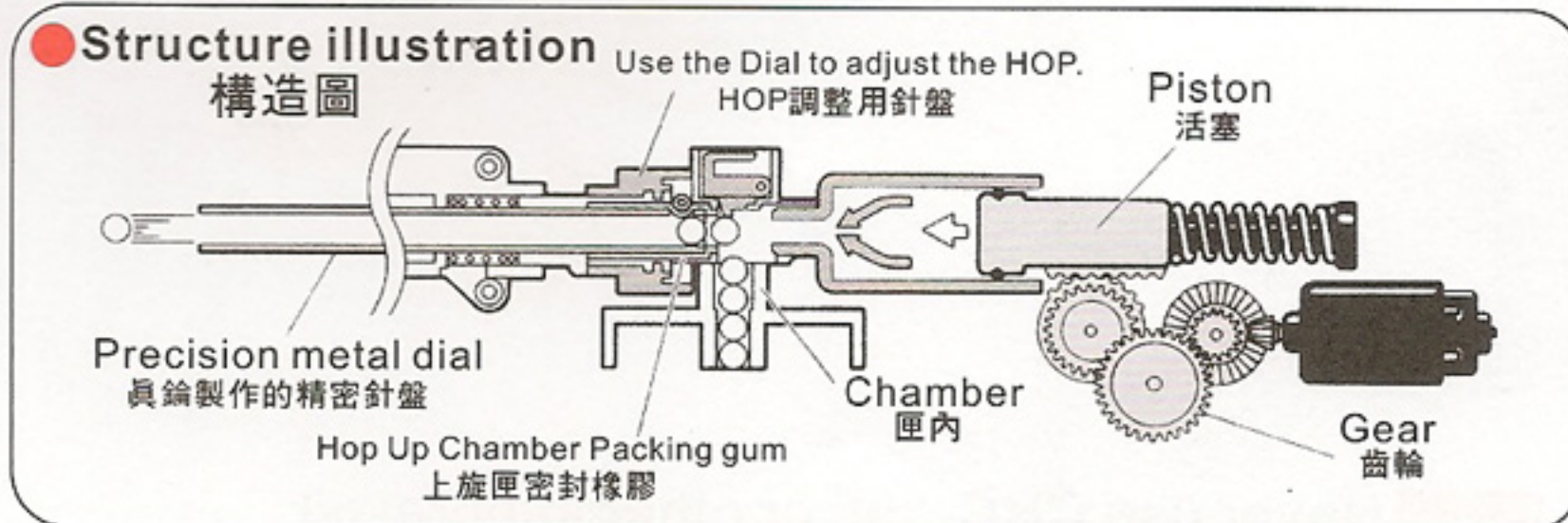
- The best position is where the bullets fly horizontally, and the longest flying distance is obtained.
當子彈水平射出時就是最佳位置，同時也能射得最遠。



Operational Cautions (Strictly observe the following cautions.)
操作時的注意事項（嚴格遵守以下警告）

- Make sure to return the hop adjustment dial to the Normal position when removing clogged bullets or cleaning. (Otherwise, the chamber packing is damaged.)
當取出堵塞的子彈或清潔時，請確保將上旋調整控制盤撥回正常位置。（否則將損壞槍膛密封圈）
- When about 10,000 rounds are fired, spray silicone oil to the chamber for 0.5 to 1 sec. (refer to 13P The hopping up operation may be instable for 200 to 300 rounds after spraying the silicone oil, which is not a problem.)
發射大約10,000發子彈后，往槍膛裡噴射硅樹脂油0.5至1秒。（參見13P。噴射硅樹脂油后，上旋操作會在發射前200至300發子彈時不穩定，這不是什麼大問題。）

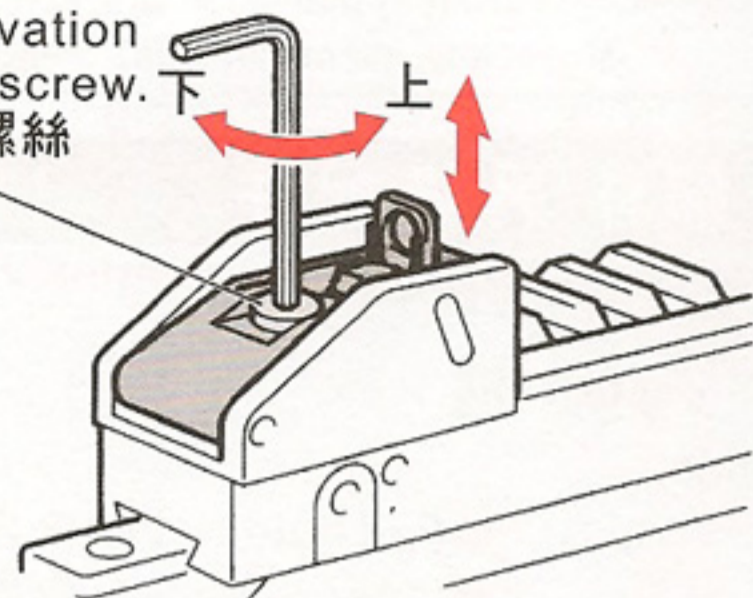
- We shall not be responsible for any damage or accidents arising from wrong operation, disassembly and modification of the air gun. Any costs for repair of such damage shall be paid by the user.
由于錯誤操作、拆卸或改裝該氣槍而造成的傷害或事故，我方將概不負責。所造成的損壞所需的修理費用由使用者自己支付。



7. Setting the rear sight 安裝后瞄準器

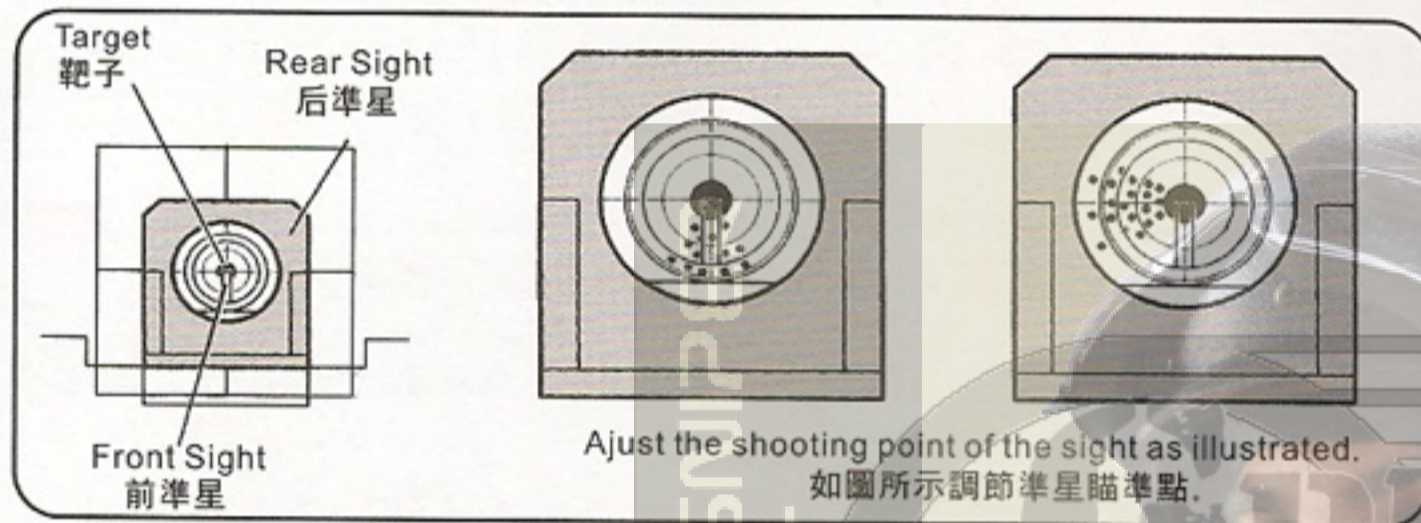
① Adjust the sight vertically by turning the elevation adjusting screw using the 2.5mm hexagonal key for the M5 setscrew.
通過用于M5固定螺絲釘的2.5mm六角栓轉動提升調整螺絲釘以垂直地調整瞄準器。

Use the Elevation to adjust the screw.
高度調整螺絲



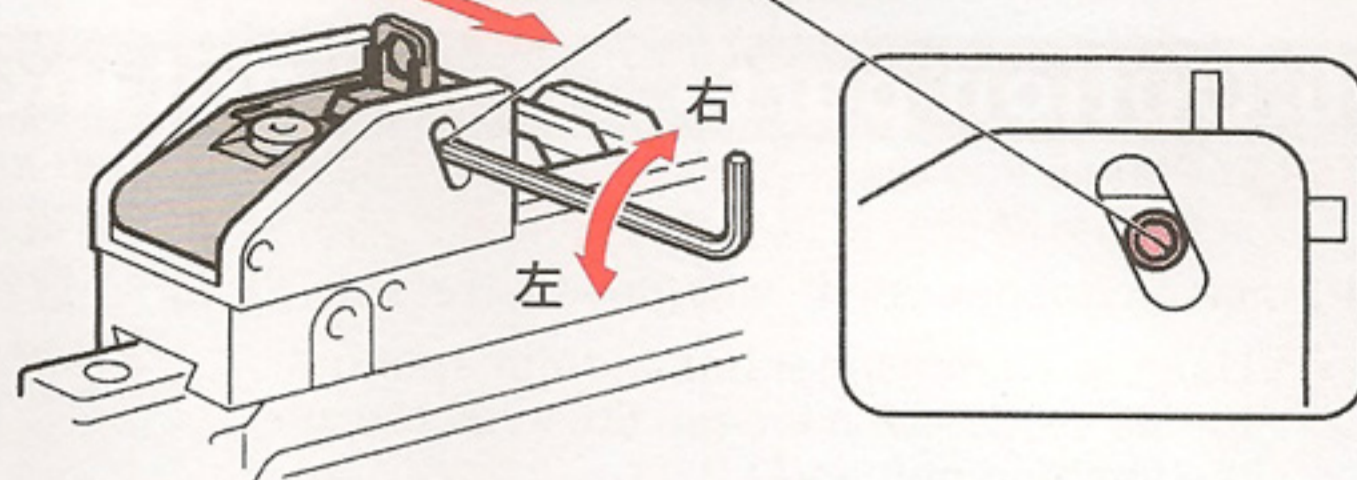
Turning clockwise shifts down the shooting point.
Turning counter clockwise shifts the sight up the shooting point.
順時針轉動可調低瞄準點；逆時針轉動可調高瞄準點。

CAUTION Do not loosen the adjusting screw excessively.
不要過分地松開調整螺絲釘。



② Adjust the sight horizontally by turning the windage adjusting screw using the 2.5mm hexagonal key for the M5 setscrew.
通過用于M5固定螺絲釘的2.5mm六角栓轉動左右調整螺絲釘以水平地調整瞄準器。

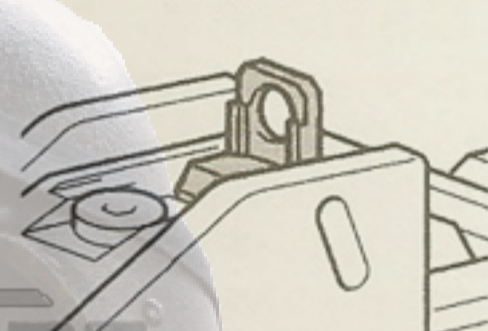
Use the windage to adjust the screw.
空氣阻力調整螺絲



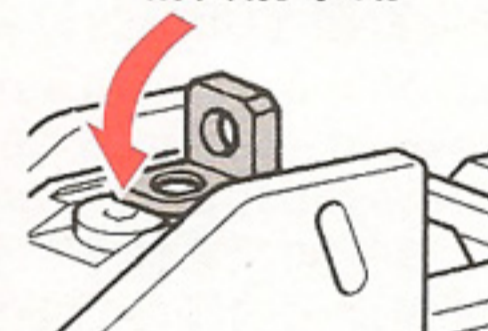
Turning clockwise shifts the sight to the right. Turning counter clockwise shifts it to the left.

順時針轉動可將瞄準器向右調整；逆時針轉動可將瞄準器向左調整。

「For common shooting」
「一般射擊用」



「For accurate shooting」
「精密射擊用」



8. Folding Stock Operation (The G608 stock is the side swing type and can be folded to the right side of the gun.)

折疊槍托的操作 (G608槍托屬於側擺型，可折疊在槍的右邊。)

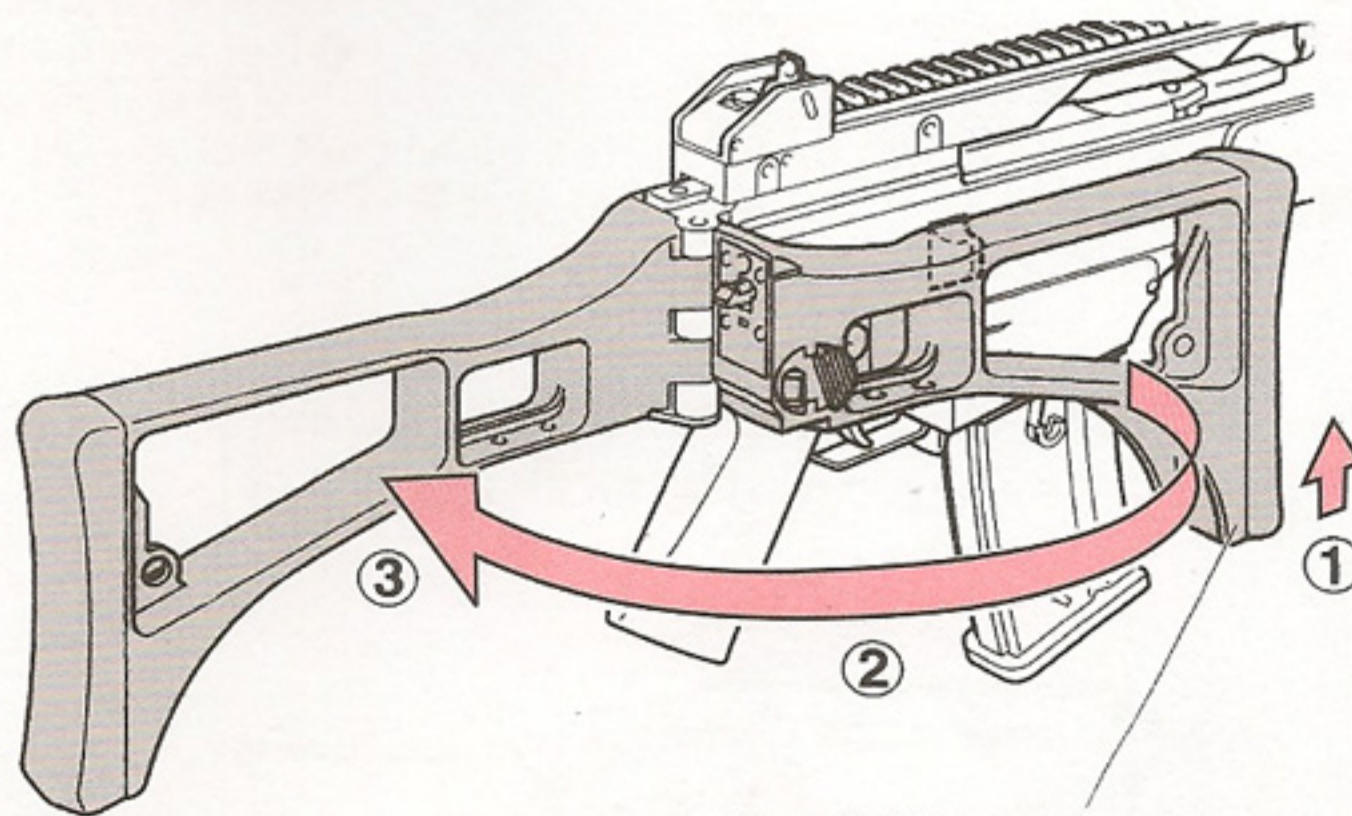
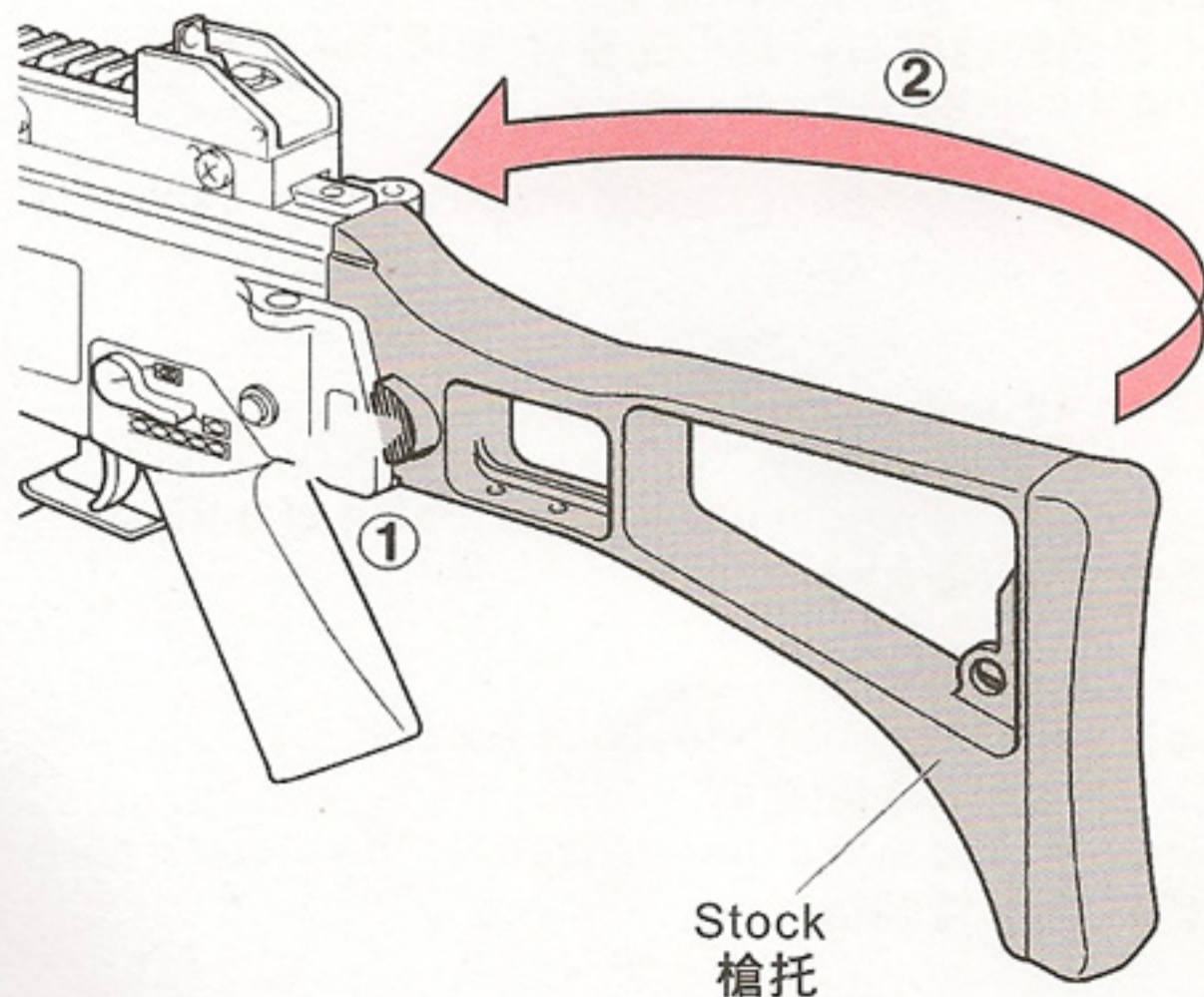
Folding Procedure
折疊步驟

Press the stock lock button ①. Fold the stock by turning in the direction of the arrow ②.
① 按下槍托鎖定按鈕。② 按箭頭所示方向轉動槍托並將槍托折疊起來。

Extending Procedure
展開步驟

Pull stock towards you ① while holding the stock ②. Stretch the bent stock straight while pressing the stock lock button ③.

①-② 拿著槍托，向著自己拉開槍托。③ 在按下槍托鎖定按鈕的同時，將彎曲的槍托拉直。



The folding state of Stock
槍托折疊狀態

WARNING
警告

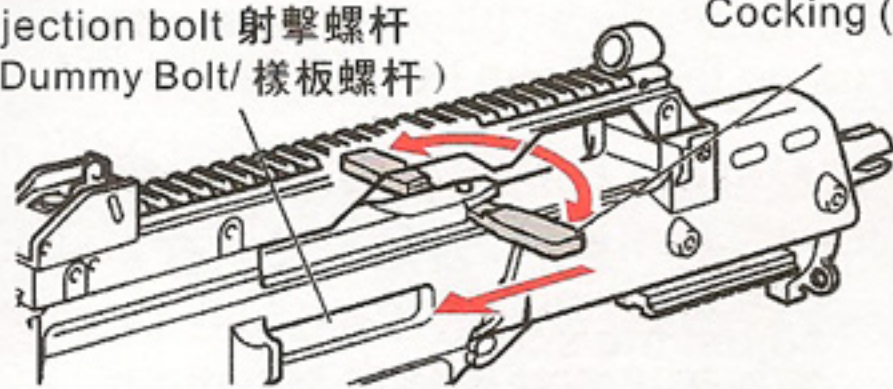
BE careful so that your fingers will not be caught between the stock and gun.
小心不要被槍托和槍夾住手指。

9. The Direction for the movable parts 可動部分的說明

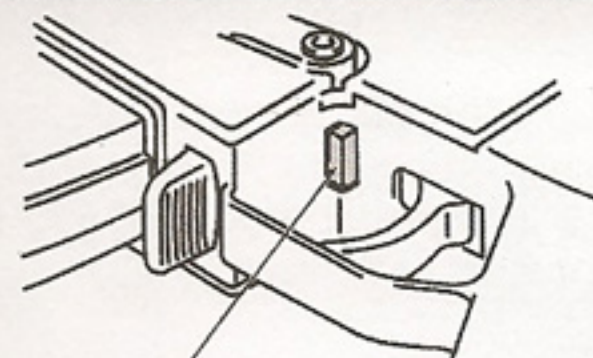
- Cocking Handle can be pulled. 可拉動機柄。

Ejection bolt 射擊螺桿
(Dummy Bolt/ 樣板螺桿)

Cocking (It can be pulled from the left side or right side)
壓簧杆(可從左或從右拉)



- The ejection port is engaged (when adjusting the hop-up, pull and hold the cocking lever).
當你調整上旋並拉緊壓簧杆時，會啣合射擊孔。



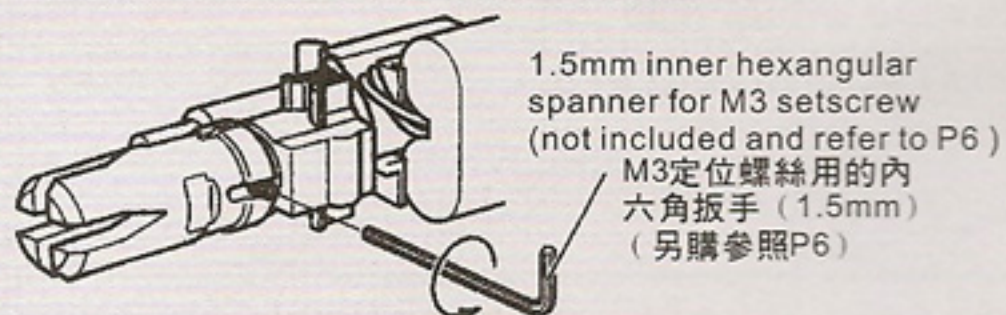
Dummy bolt catch 樣板螺桿手握
(Movability, but not linkage) (可動但不能聯動)

10. Option parts / parts not included 選擇部件/另購配件

CAUTION 注意 Please additionally purchase the Full Auto Tracer and the Inner Silencer to coordinate with the assembly.
請另外購買全自動追蹤器和內置式消音器來配合組裝使用。

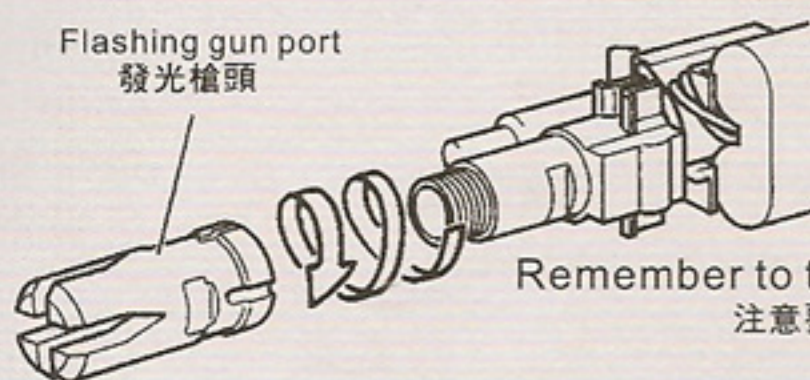
Please do not operate it with gloves. (refer to P9 3) 請勿戴著手套進行操作。(參照P9 3)

- 1 Use the 1.5mm inner hexangular spanner for M3 setscrew to loosen the setscrew on the flashing gun port.
使用M3定位螺絲用的內六角扳手(1.5mm)來松開發光槍頭的定位螺絲。



1.5mm inner hexangular spanner for M3 setscrew (not included and refer to P6)
M3定位螺絲用的內六角扳手(1.5mm) (另購參照P6)

- 2 Remove the flashing gun port.
將發光槍頭拆下



- Full auto tracer 全自動追蹤器
- Inner Silencer 內置式消音器
- 600 flashing 0.2g BB bullets 0.2g發光BB彈 600發

Remember to turn counter-clockwise.
注意要按逆時針方向旋轉

- Assemble the Full Auto Tracer (the flashing setting for BB bullets) and the Adapter.
自動追蹤器(BB彈的發光裝置)接合器的裝法。

- 3 Take off the flashing setting lid, and remove the screws in the sequence of the models as per guide in Illustration 1 and coupler in Illustration 2.
取下發光的組合蓋子，然後按照圖1導向杆、圖2分接器示例的順序拆裝螺絲。

Illustration 1 guide
圖1導向杆

Illustration 2 coupler
圖2分接器

Use the adapter for V-N.A-47
使用V-N.A-47用的接合器。

Spare parts for the Full Auto Tracer
全自動追蹤器的配備零件。

Do assemble the screws as illustrated.
必須按照圖例所示裝上螺絲。

2 × 8 screw
2 × 8螺絲

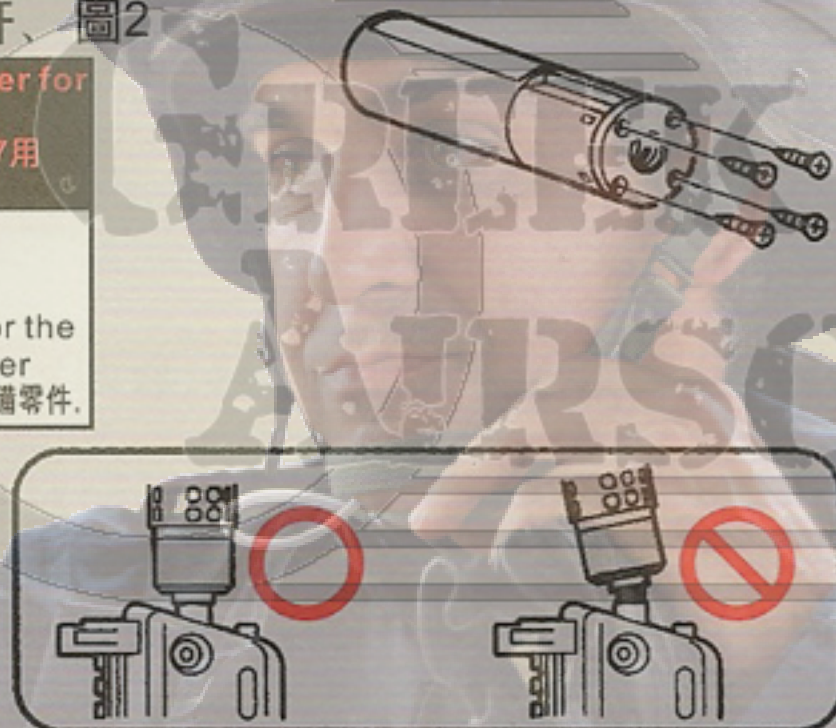
- Assemble the inner silencer.
內置式消音器的組裝方法

Silencer which is not included (inner)
消音器 另購 (內置式)



Pay attention to the direction of reversing screw.
注意逆轉螺絲方向

- 4 Fasten it with 4 2 × 10 screws.
用4個2 × 10的螺絲來固定。



- 5 Assemble the tracer.
追蹤器的裝配



Flash lid
防火帽蓋子

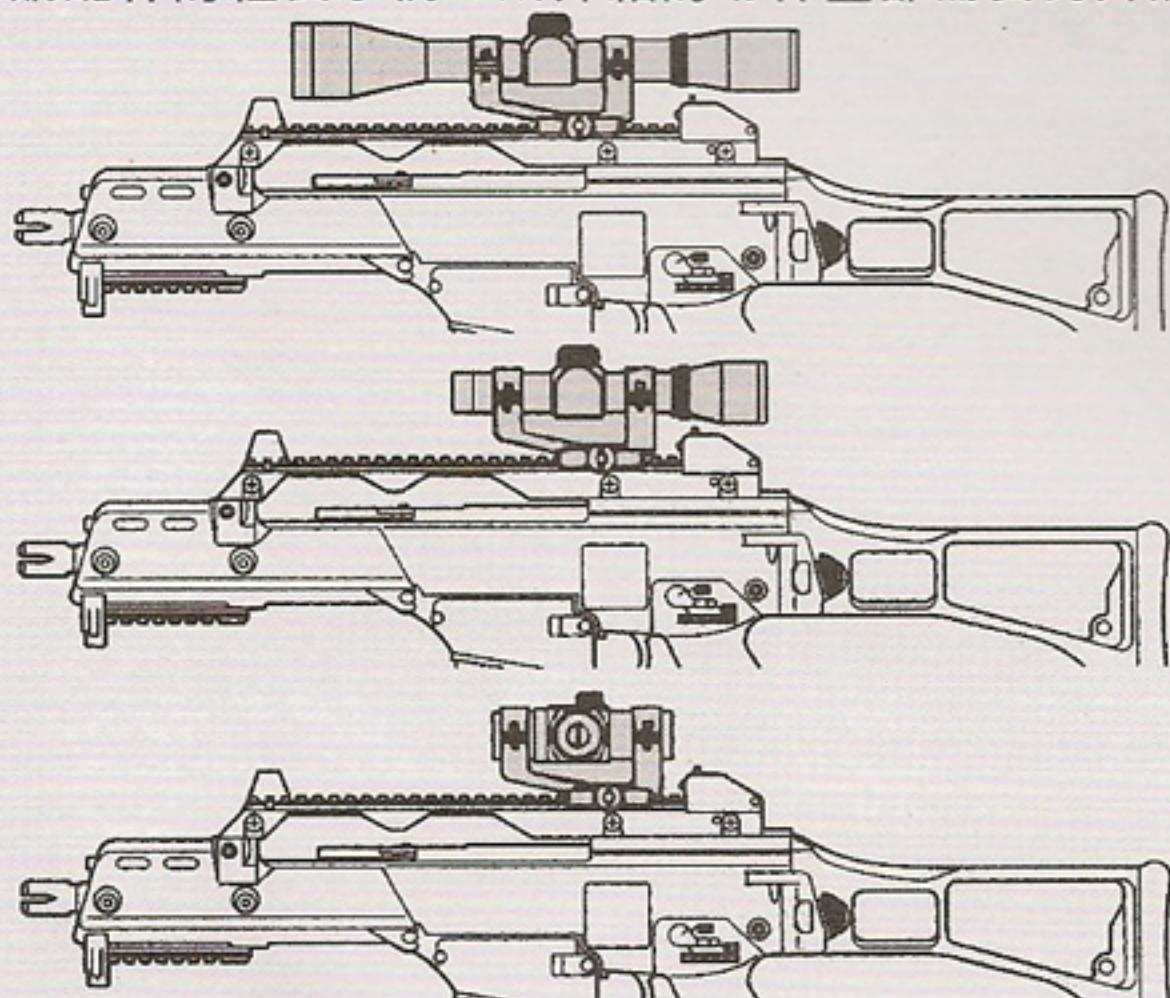
Flash hider
防火帽

Pay attention to the direction of reversing the screw.
注意逆轉螺絲方向

Shoot
發射

WARNING 警告 The screws may be deformed or damage if you do not horizontally assemble them.
如果不按水平方向安裝螺絲，則可能會導致螺絲變形壓壞。

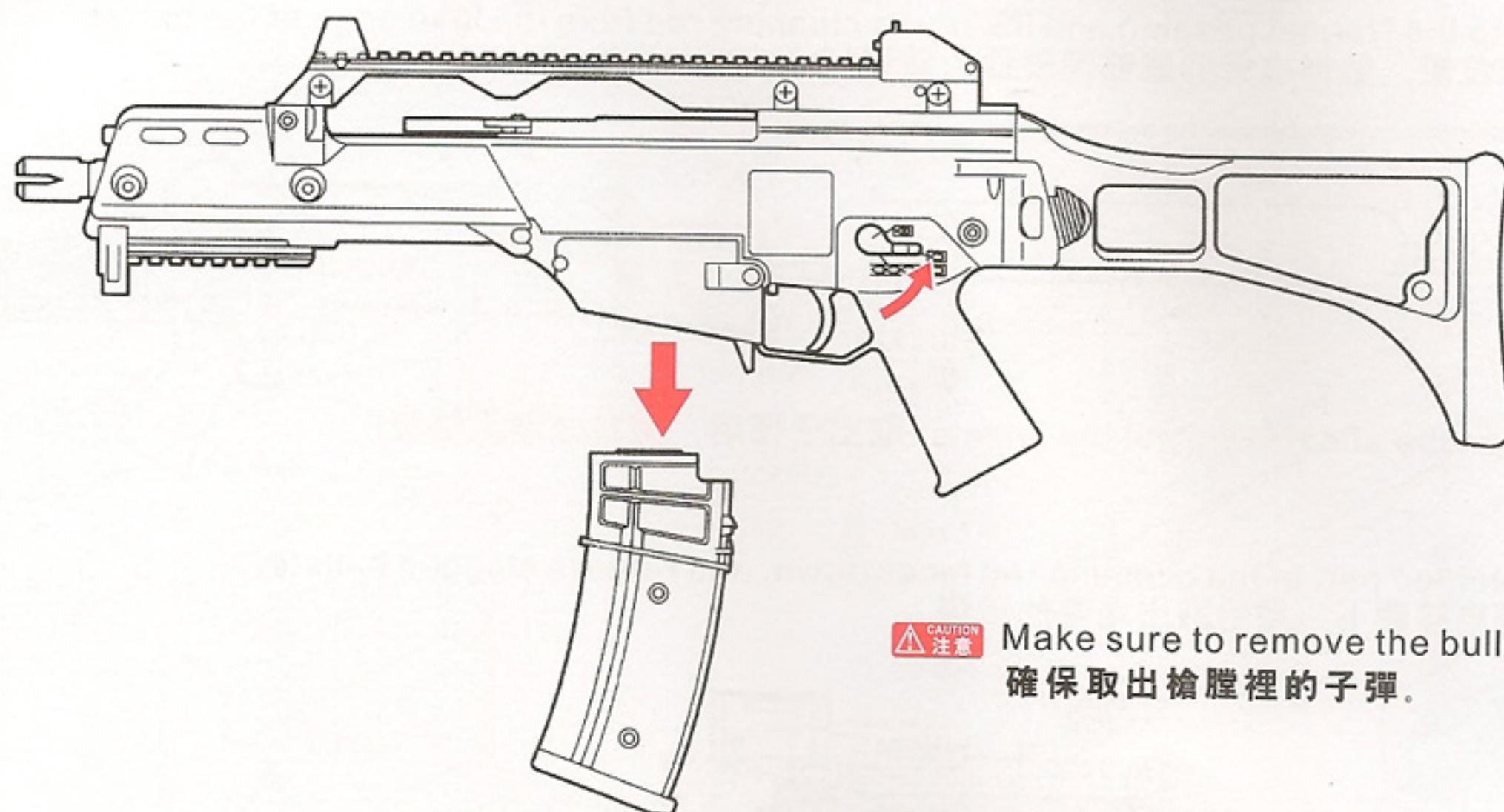
- The assembly illustration for parts which is not include (All the parts recommended here should be purchased additionally.)
購配件的組裝示例(所介紹的零件全部需要另外購買。)



- Round 4 × 40 long shot telescope
圓形4 × 40長焦望遠鏡
- High-grade fixed mount base (used for the electric gun)
高級固定支架(電動槍用)
- Round 3 × 20 short shot telescope (shooting)
圓形3 × 20短焦望遠鏡(發射)
- High-grade fixed mount base (used for the electric gun)
高級固定支架(電動槍用)
- Round flow sigh
圓形觀察孔
- High-grade fixed mount base (used for the electric gun)
高級固定支架(電動槍用)

11. Maintenance Procedures 維修程序

- ① Set the selector to the Safe position and remove the magazine. (refer to 8P 2, 10P 4, 11P 5, 12P 5)
將選擇器設置在安全位置並折下子彈盒。(參見8P 2, 10P 4, 11P 5, 12P 5)

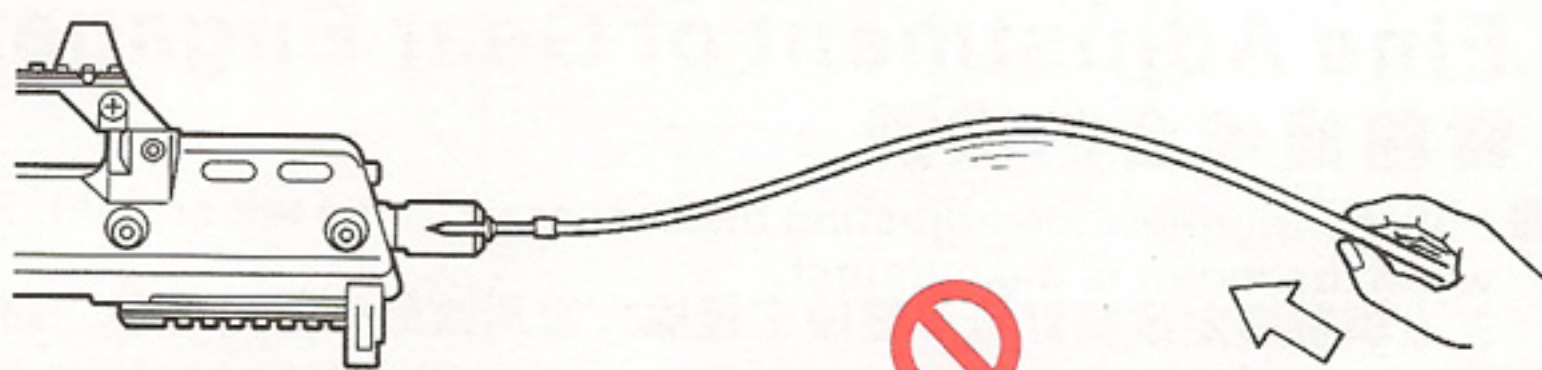
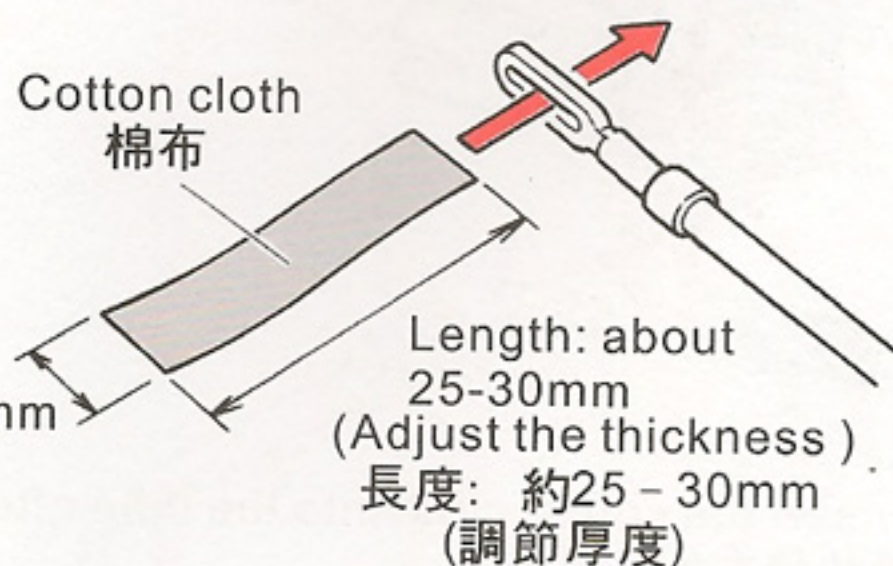
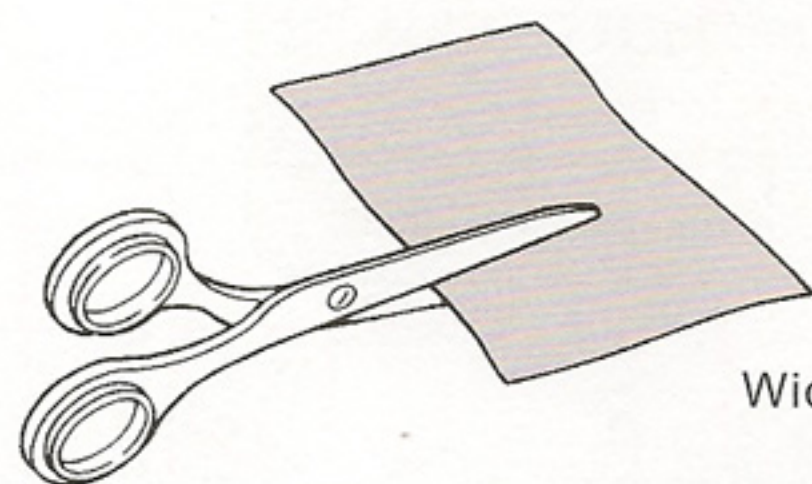
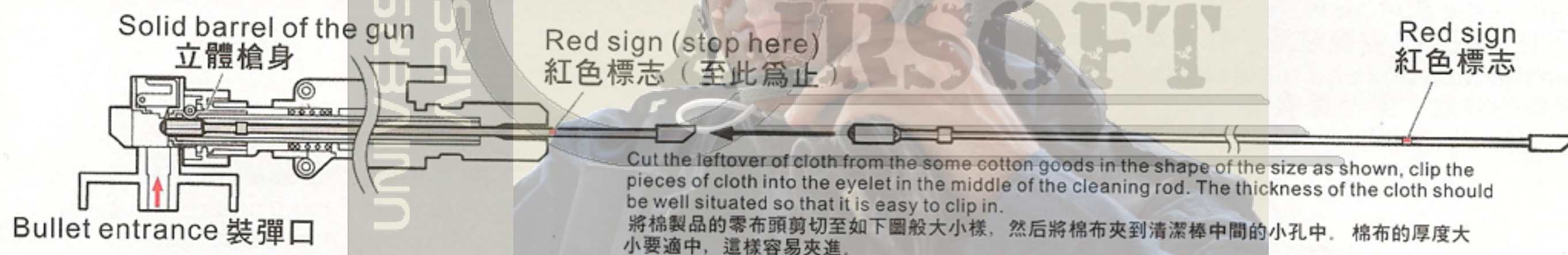


CAUTION 注意 Make sure to remove the bullets on the chamber.
確保取出槍膛裡的子彈。

1. Maintenance When Bullet Speed Becomes Low 子彈速度變慢時的維修

CAUTION 注意 Always carry out maintenance after returning the hop up dial to the Normal position.
將上旋控制盤撥回正常位置后要進行維修。

- ① Drop a few drops of silicone oil or Teflon oil from the bullet entrance. Insert BB bullets into the magazine and fire bullets equivalent to 1 or 2 magazines.
從子彈入口處滴入幾滴硅樹脂油或特氟倫油。將BB彈裝入子彈盒，可發射1至2盒子彈。
- ② To complete the cleaning, use the cleaning rod (with cotton) as shown below, to remove excess oil.
用下圖如示的清彈杆（帶棉花）擦掉多余的油以完成清潔。

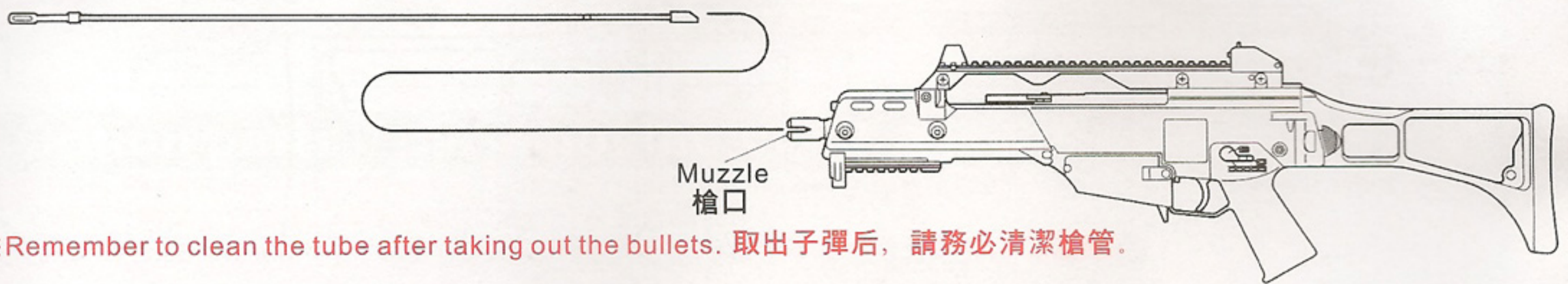


CAUTION 注意 Inserting the rod will be difficult if you hold rod at the end.
當你拿著杆尾時，插入清彈杆就比較困難。

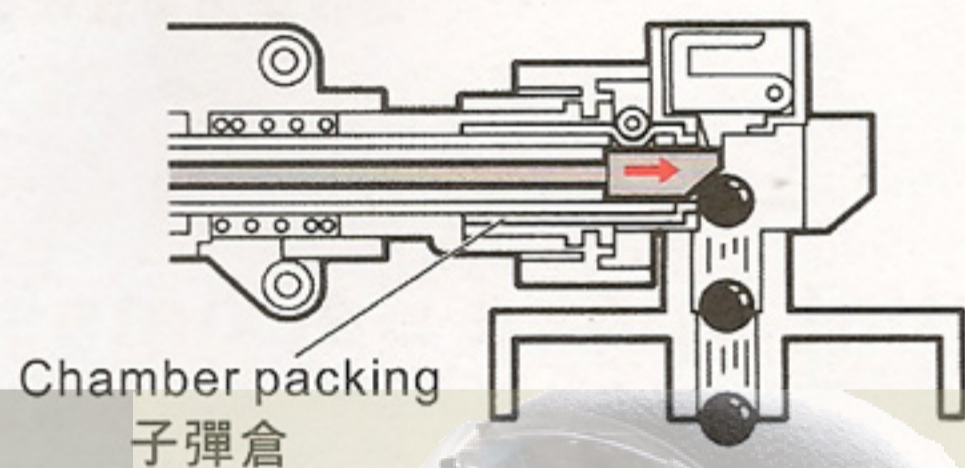
2. Removing Clogged Bullets

取出堵塞的子彈

- ① Remove the magazine and then the sight receiver and silencer.
先取下子彈盒，然后再取下瞄準器匣及消聲器。
- ② Return the hop up dial to the Normal position and insert the cleaning rod from the lead edge of the barrel.
將上旋控制盤撥回正常位置，並從槍管的底部邊線插入清彈杆。



- ③ Be careful so that the angled part of the cleaning rod faces down, and remove clogged bullets.
小心清彈杆有角的一端應該朝下，然后取出堵塞的子彈。

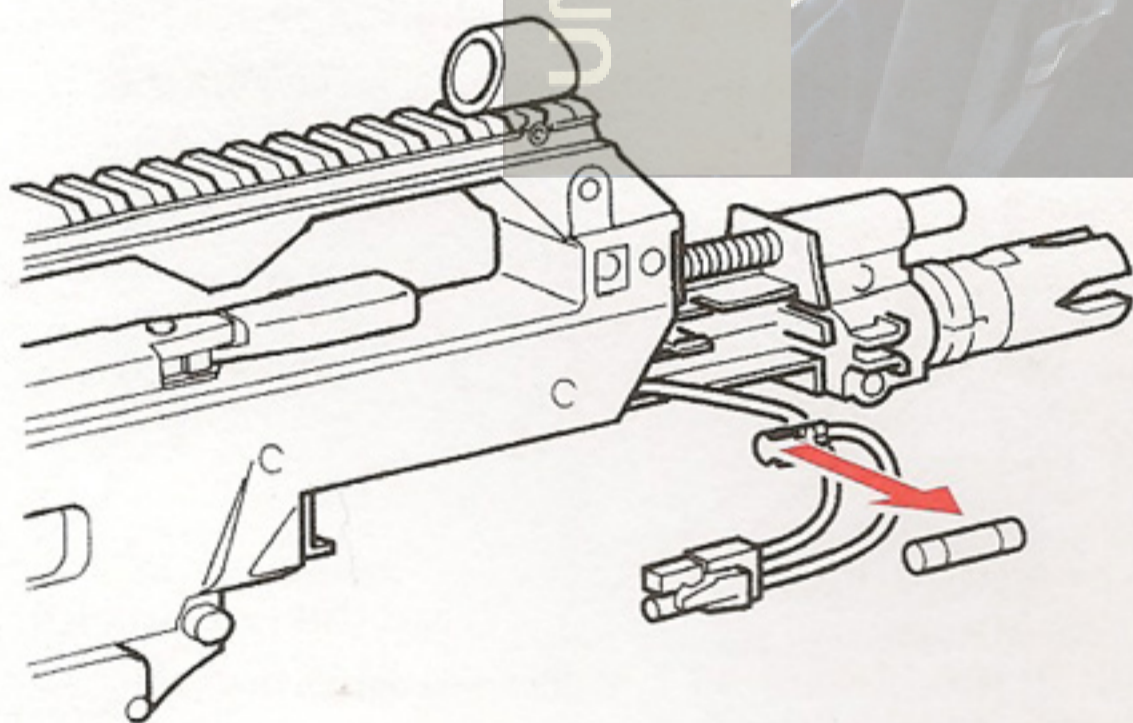


3. Fuse Replacement Procedure

更換保險絲步驟

CAUTION 注意 The fuse is blown out since, electrically, an overcurrent flew. Malfunctions of the internal mechanism are possible. So, check possibly faulty parts and then connect the battery again.
因過電流而燒斷保險絲。有可能是因為內部機械裝置發生故障。因此要檢查有可能出錯的部件，然后再裝上電池。

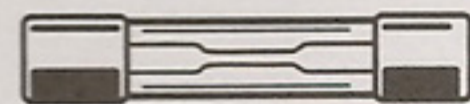
- ① Remove the Butt plate. (setting the Battery. (refer to 9P ③))
取下托底板。（安裝電池（參見9P ③））
- ② Open the fuse box and replace the fuse.
打開保險絲盒，更換保險絲。



※Please insert the cotton cloth into the tube after changing.
交換后請將棉布插入槍管。

「glass fuse」
「玻璃管保險絲」

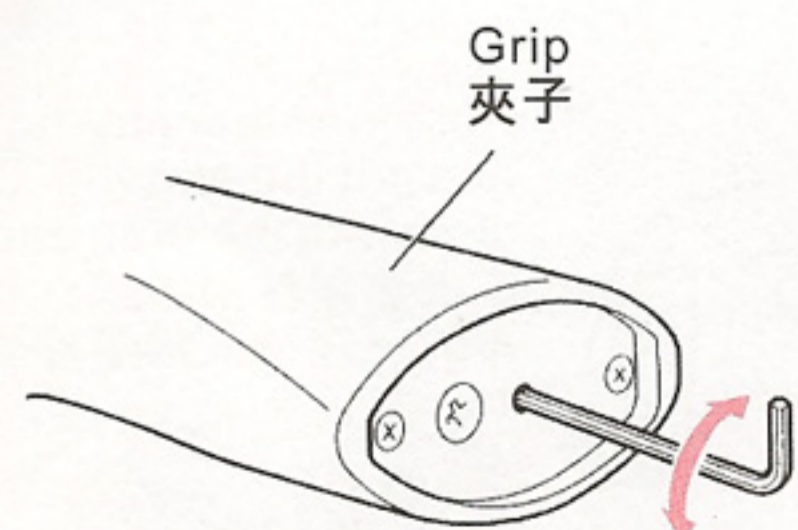
(Please purchase the 15A glass fuse from the electric appliance shop.)
(請在附近的電器店購買15A的玻璃管保險絲。)



4. Fine Adjustment of Gear Engagement

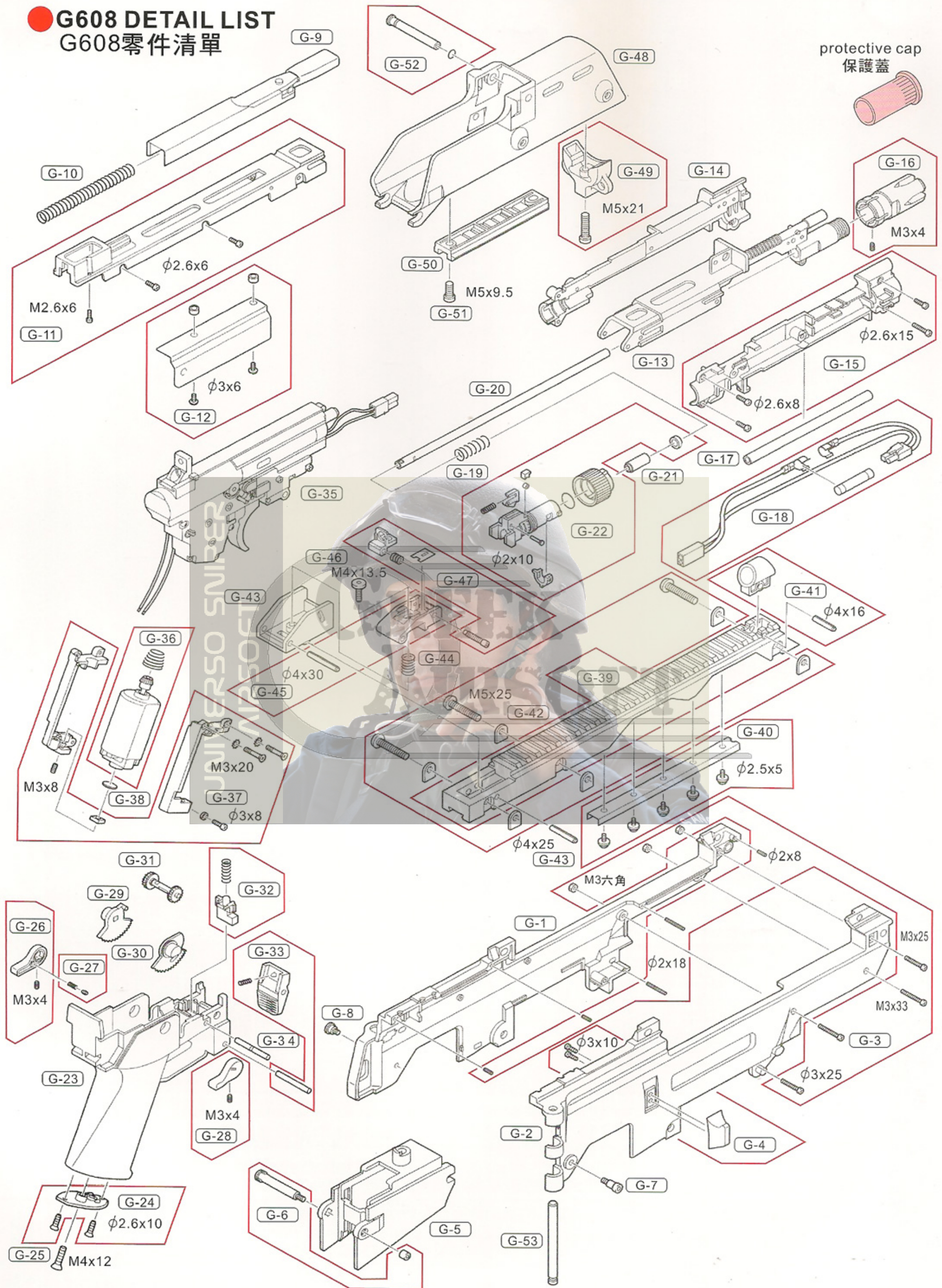
齒輪齒嚙合的微調

- Pull the trigger while adjusting the set screw to the left or right. Stop turning when the motor is the quietest.
左右調整固定螺絲釘時，要按下板機。當馬達最安靜的時候，請停止轉動。
- CAUTION 注意** ● Only when the motor noise becomes high after operation for a long period of time, conduct the fine adjustment as shown.
只在長時間操作后馬達聲變得大聲時，才要如圖所示進行微調。
- Excessive tightening of the screw may damage the motor.
過分地擰緊螺絲釘會損壞馬達。

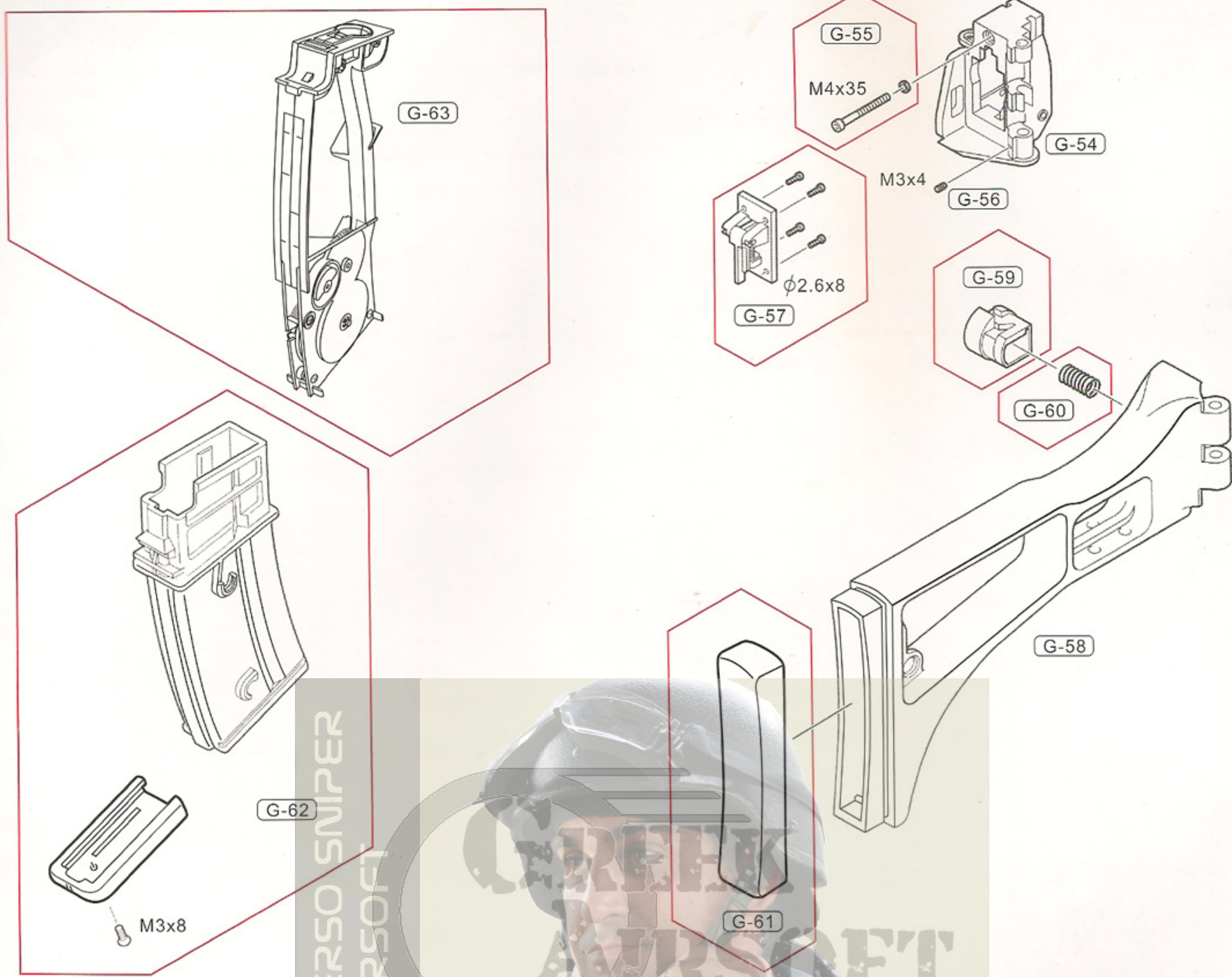


Please use the 1.5mm inner hexagonal spanner for the M3 setscrew. (Refer to P6)
請使用M3定位螺絲用的內六角扳手（參照P6）

G608 DETAIL LIST
G608零件清單



G608 DETAIL LIST G608零件清單



12. TROUBLE CLINIC (TROUBLESHOOTING) 故障診所 (故障維修)

Symptom 症狀	Cause 原因	Action 如何處理
No operation at all. 無法操作	Selector lever is set to Safety. 選擇器控制桿設置在安全位置。	Set the selector lever to Semi or Full Auto. 將選擇器控制桿設置在半自動或全自動位置。
	Battery is not charged. 電池沒有充電。	Charge the battery. 對電池進行充電。
	Battery connector is disconnected. 電池連接器沒有連接上。	Connect the connector. 接上連接器。
	The ⊕ and ⊖ of battery connector is reverse. 電池連接器的正負極顛倒。	Connect the connector correctly (check the fuse). 正確接上連接器。(檢查保險絲)
	Fuse is blown out. 保險絲燒斷。	Replace the fuse. (See page 17.) 更換保險絲(見第17頁)
	Expired motor life (50,000 to 60,000 rounds) or poor electrical connection. 馬達使用期限到期(50,000至60,000發)或較差的電連接。	Replace the motor (purchasing from your dealer or us) or check and repair the contacts. 更換馬達(向經銷商或我方購買)或者檢查並修理各個電接點。
Although motor is revolving no bullets jump out. 儘管馬達會運轉, 但是沒有發射出子彈。	Bullets are clogged inside the magazine. 子彈堵塞在子彈盒裡。	Insert the charging rod into the magazine and move up and down a few times to remove clogged bullets. 將裝彈桿插入子彈盒, 上下移動幾次使子彈不再堵塞。
	Bullets are clogged in the chamber. 子彈堵塞在槍膛裡。	Remove clogged bullets using the cleaning rod. (See page 17.) 用清彈桿取出堵塞的子彈(見第17頁)
	Faulty gear. 齒輪出錯。	Purchase the replacement gear from your dealer or us and repair. 向經銷商或我方購買替換齒輪並進行維修。
Impossible full-auto operation (automatic firing). 不能進行全自動操作(自動射擊)	Insufficient battery power. 電池電量不足。	Charge the battery. 對電池進行充電。
	Faulty bullet feed of magazine. 子彈盒進彈裝置出錯。	Repair clogging of the magazine. 修理堵塞的子彈盒。
	Poor electrical connection. 微弱的電連接。	Consult your dealer or us for overhaul maintenance or repair. 請教經銷商或我方進行檢查維修。
Impossible semi-auto operation (single shot). 不能進行半自動操作(單發)	Deviation in gear timing. 齒輪調速出現偏差。	Set to semi auto after firing 10 to 20 rounds in full auto. 在全自動模式下發射10至20發子彈後設置成半自動模式。
	Insufficient battery power. 電池電量不足。	Charge the battery. 對電池進行充電。
	Poor electrical connection. 微弱的電連接。	Consult your dealer or us for overhaul maintenance or repair. 請教經銷商或我方進行檢查維修。
Automatic firing cycles become long. 自動射擊周期變長。	Insufficient battery power. 電池電量不足。	Charge the battery. 對電池進行充電。
Shooting distance becomes shorter. 射擊距離變短。	Worn or damaged chamber packing. 槍膛密封圈磨損或被弄壞。	Consult your dealer or us for overhaul maintenance or repair. 請教經銷商或我方進行檢查維修。 Replace the chamber packing and piston assembly. 更換槍膛密封圈及活塞並安裝。
	Worn or damaged piston packing (o-ring). 活塞密封圈(O型圈)磨損或被弄壞。	
	Deteriorated piston spring. 活塞彈簧退化。	
	Faulty BB bullets (too small or heavy). 有缺陷的BB彈(太小或太重)	Use the genuine BB bullets. 使用真正的BB彈。
	Shortage of silicone oil. 缺乏硅樹脂油。	Drop a few drops of silicone oil from upper the chamber. 從槍膛口滴入幾滴硅樹脂油。
	Gear problem caused by too many blank firing. 空彈射擊太多次而造成的齒輪故障。	
Too loud operating noise. 操作聲變大。	Worn or damaged gear. 齒輪磨損或被弄壞。	Consult your dealer or us for overhaul maintenance, part replacement (gear, etc.) or repair. 請教經銷商或我方進行檢修、零件的替換(如齒輪等)或進行修理。
	Gear problem caused by too many blank firing. 空彈射擊太多次而造成的齒輪故障。	
Bullets being fallen out from barrel end 子彈從槍管尾裡掉出來。	Worn or damaged chamber packing. 槍膛密封圈磨損或被弄壞。	
	No hop setting. 沒有設置上旋。	Turn the hop adjustment dial toward HOP. 將上旋調整控制盤轉向HOP。
	Faulty BB bullets (too small). 有缺陷的BB彈(太小)	Use the genuine BB bullet. 使用真正的BB彈。
Being wet by or dropped into water (rain) 被雨淋濕或掉進水裡。	Stop operation immediately, disconnect the battery, wipe off water from inside the main body and the battery, and, after complete dry, carry out trial firing. If no operation or malfunction is detected, consult your dealer or us for repair. 立即停止操作, 切斷電池, 擦掉主機裡及電池上的水, 等到完全干了之後再進行試射, 如果還是無法操作或出現故障, 請諮詢經銷商或我方進行修理。	