

P-90TR SILENCER



HANDLING CAUTIONS AND INSTRUCTION MANUAL

操作手册指导手册

适合年龄18岁以上使用

Users Restricted to 18 Years of age or older

操作之前先阅读这本手册



WARNING



Only for 18 years old or up

Operation of this air gun for competition use is restricted to users younger than 18 years old.



Injury caution

Since the field of fire can be about 50 to 60 meters, careless shooting may cause eye damage or other injuries.



Careful reading of Handling cautions and Instruction manual

Always read through this HANDLING CAUTIONS AND INSTRUCTION MANUAL carefully before operation. Operate the air gun with full recognition of warnings and cautions.

Always read this manual before using.

Never use BB bullets other than those supplied by. Use of poor quality BB bullets will cause problems. Never disassemble or modify the gun.

UNIVERSO SNIPER
AIRSOFT



P-90TR

SILENCER



<INSTRUCTION> PLEASE READ IT BEFORE USE IT.

<使用注意书>使用之前请务必阅读。

It is for your to enjoy the fun of shoot that this gun is made. Various kinds of guns have their own features, So you should have sound comprehension before you enjoy the fun of safe shooting. The BB bullets can flight a distance Of 20 ~ 30m. If it is not properly used, there would be some risk. So you have read the instructions carefully before using it, And strictly follow them while using it, and then, you can enjoy the fun of shooting.

制作此枪，是为了让您享受射击游戏的乐趣。各种各样枪的特点，使用时的注意事项应详细了解后才能享受安全运动射击的乐趣发射的BB弹能飞出约20~30M，如果使用不当，就有受伤的危险。使用之前，一定要仔细阅读注意事项（使用说明书），而且要严守规定，才能享受运动射击的乐趣。



Please pay attention: you would probably be hurt because of carelessness or shooting mistake.

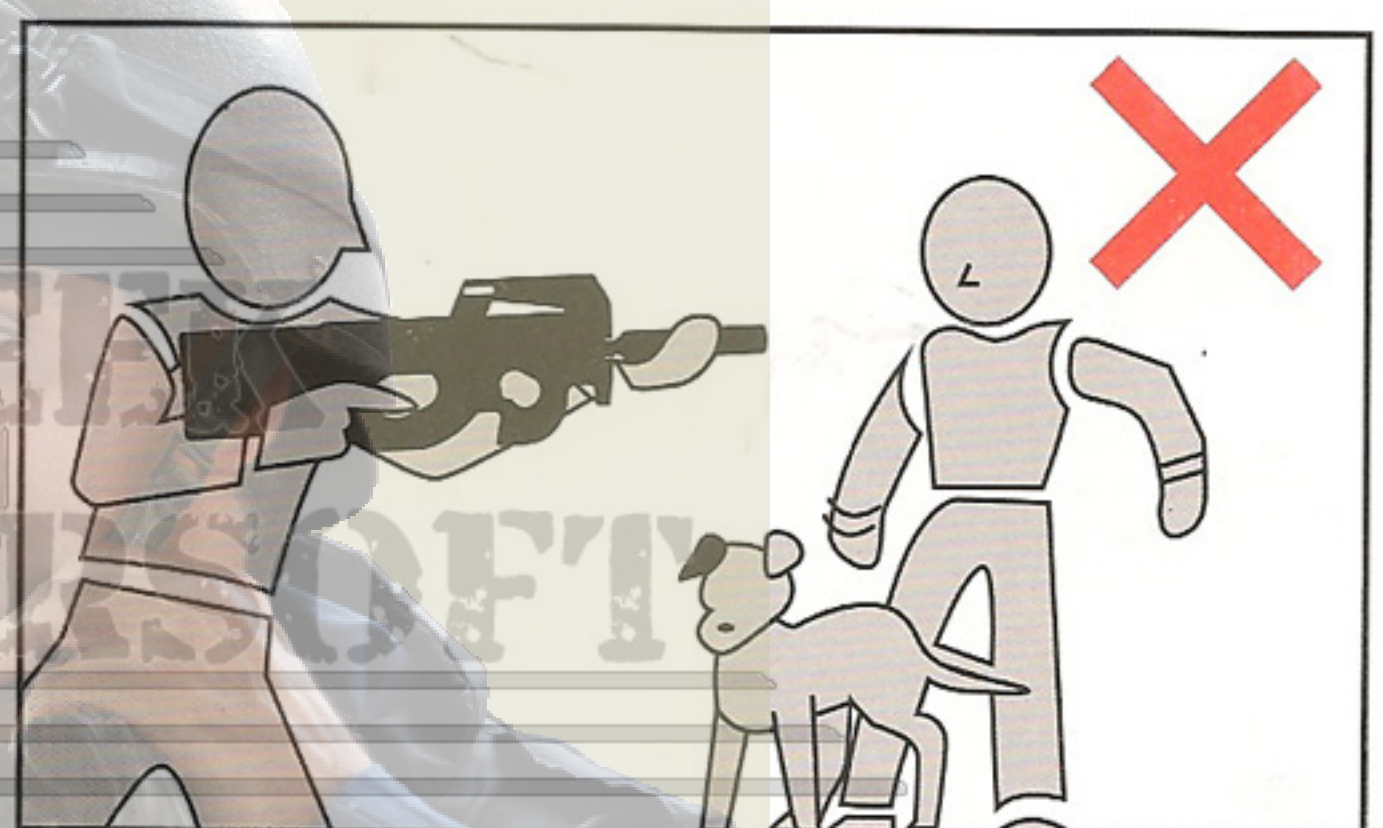
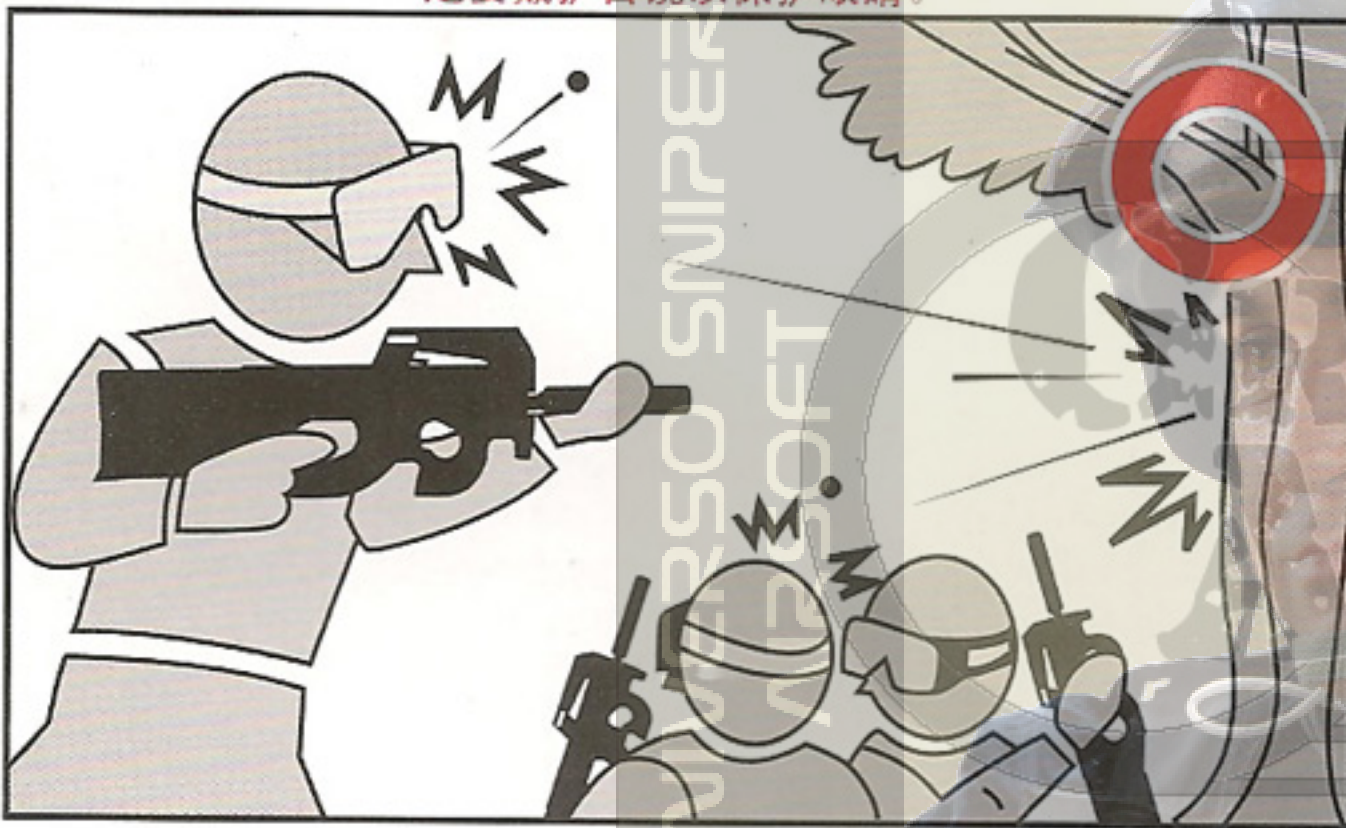
如果稍不留神或发射错误都有可能引起受伤的危险,请万分注意!



MAKE SURE TO WEAR PROTECTION GLASSES TO PROTECT YOUR EYES.
一定要戴护目镜以保护眼睛。



DON'T TRAIN ON PEOPLE AND ANIMALS.
不能对着人或动物发射。



Make sure to wear protection glasses while shooting BB bullets or playing game. What's more, the BB bullet will go back once it hits hard object, (attention: please don't train on people.)

发射BB弹或游戏时，一定要戴护目镜以保护眼睛。而且，BB弹一撞到硬的物体可能会反弹（注意一定不能对着人发射BB弹）。

Please don't train the soft ballistic gun on people or animals. Please cover the muzzle with the safe lid, if you are not shooting.

请不要将枪对着人或动物发射。除了对准目标发射后，请将安全盖盖在发射口上。



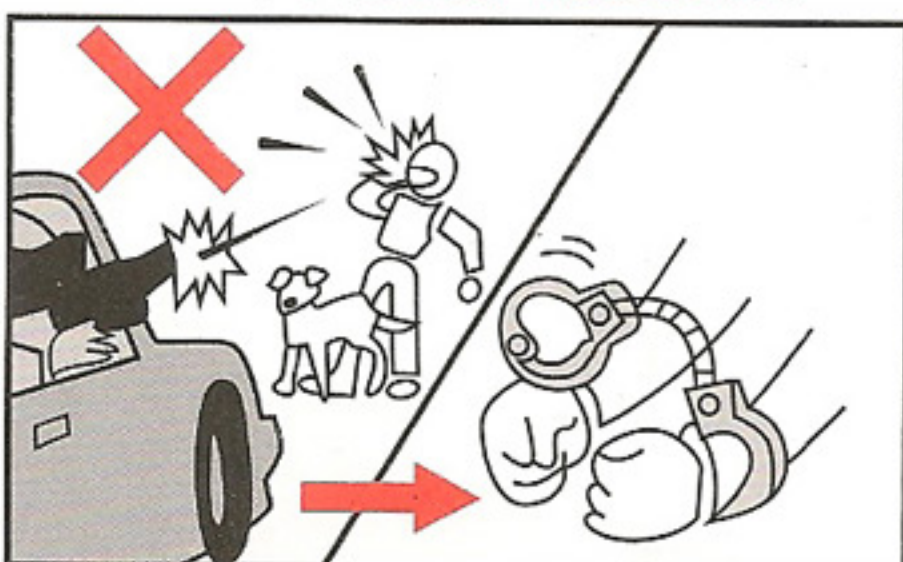
YOU WILL BE PUNISHED IF YOU SHOOT MISCHIEVOUSLY.
如果胡乱发射，可能会受到惩罚。



DON'T LOOK CLOSE TO THE MUZZLE AT ANY TIME.
无论什么时候都不能窃看发射口。



DON'T SHOOT CASUALLY.
不能随意扣动扳机。



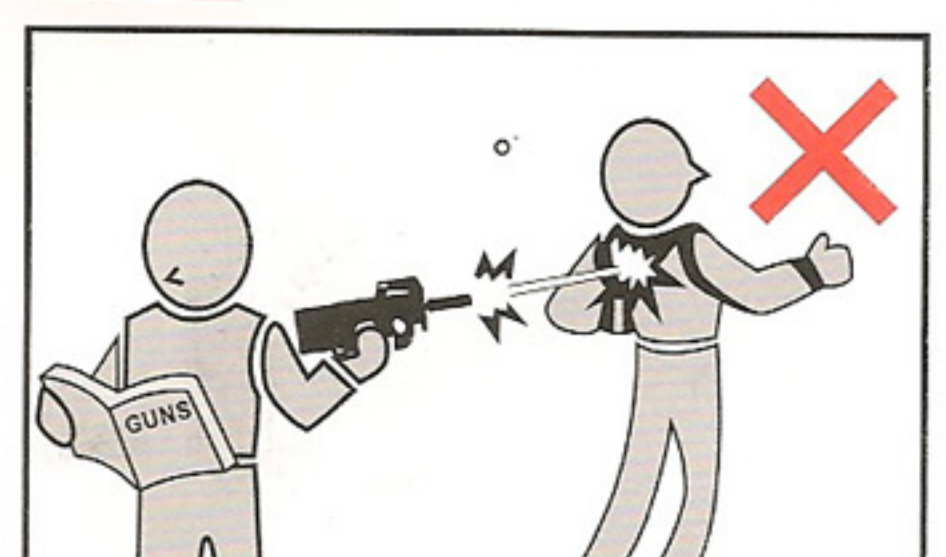
Those who shoot mischievously or train the gun on people or animals will probably be punished by law.

诸如胡乱发射，对着人或动物发射就有可能射伤他人，因此也有可能受到法律的惩罚。



Your eyes will be hurt if the BB bullets shoots your eyes by chance, it is very dangerous. So don't look close to the muzzle at any time.

如果BB弹刚好射中眼睛，可能会使眼睛受伤，非常危险。因此，无论什么时候都不能窃看发射口。



Shoot casually will cause great danger, so please shoot before you take away the lid, and aim at the object.

不加注意而扣动扳机会引起极大危险，一定要取下安全盖，对准目标后才能扣动扳机。

■ YOU HAVE TO READ THE INSTRUCTION CAREFULLY BEFORE USING IT BECAUSE THE OPERATION IS DIFFERENT FROM THE NORMAL GUN.

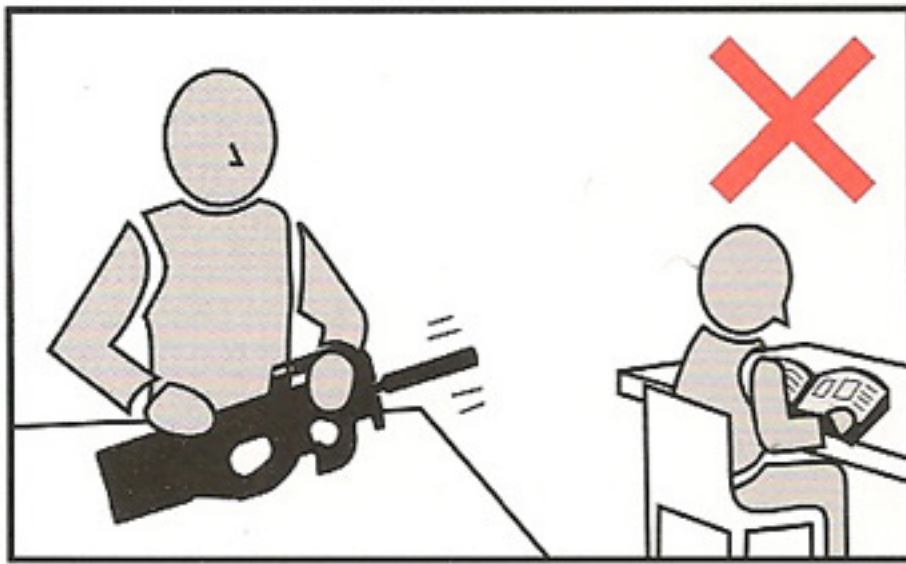
■ 因使用方法和一般的枪不同，所以一定要详细了解后才能使用。

■ THOSE INCIDENT, DANGER, HURT, REPAIR CAUSED BY THE WRONG WAY OF OPERATION, READJUSTMENT, DISMANTLE ARE CLAIMED TO BE THE RESPONSIBILITY.

■ 错误的使用方法、操作、改装、拆散等引起的事故、危险、损伤、维修等都不是经销商的责任。

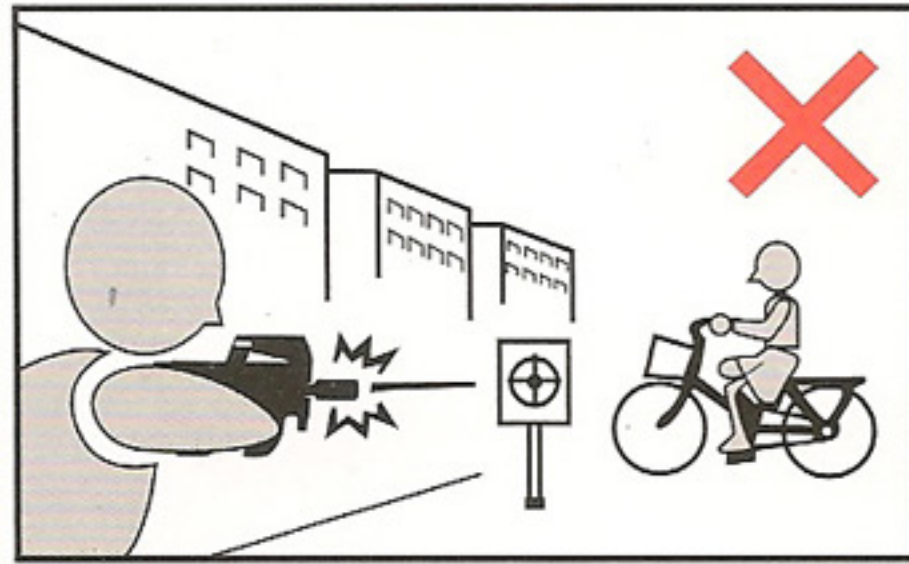
Always read through this manual before operation. 在操作之前必须读熟这些说明书

CAUTION 注意 THE MUZZLE SHOULD BE DIRECTED AT THE SAFE DIRECTION. 发射口，一定要对准安全的方向。



The muzzle should not train on people or animals or any where that would cause danger. Please cover the lid except shooting. 发射口，绝对不能对准人、动物或其它危险的方向。除发射时以外，安全盖一定要盖住发射口。

CAUTION 注意 DON'T SHOOT WHERE THERE ARE PEOPLE OR TRANSPORTATION. 决不能在人或车通过的场所发射。



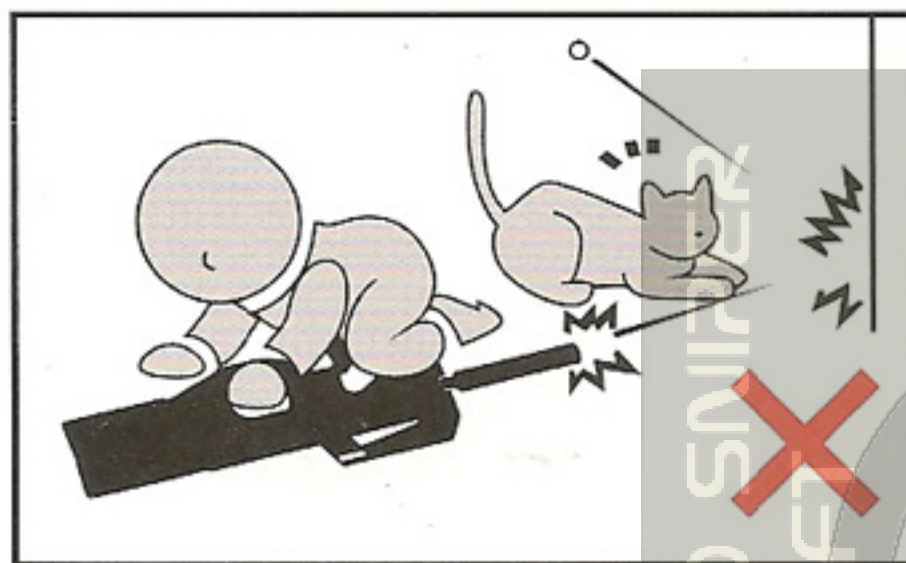
The soft ballistic shooting place should be in the safe arena. Those places where there are people or transportation are not allowed to shoot. 发射的场所，一定要在安全的场所。像人或车通过的场所，或周围有人的场所决不能发射。

CAUTION 注意 PLEASE PUT IT IN A BAG OR BOX WHILE CARRYING IT. 携带着走路时，一定要装入盒子或包子。



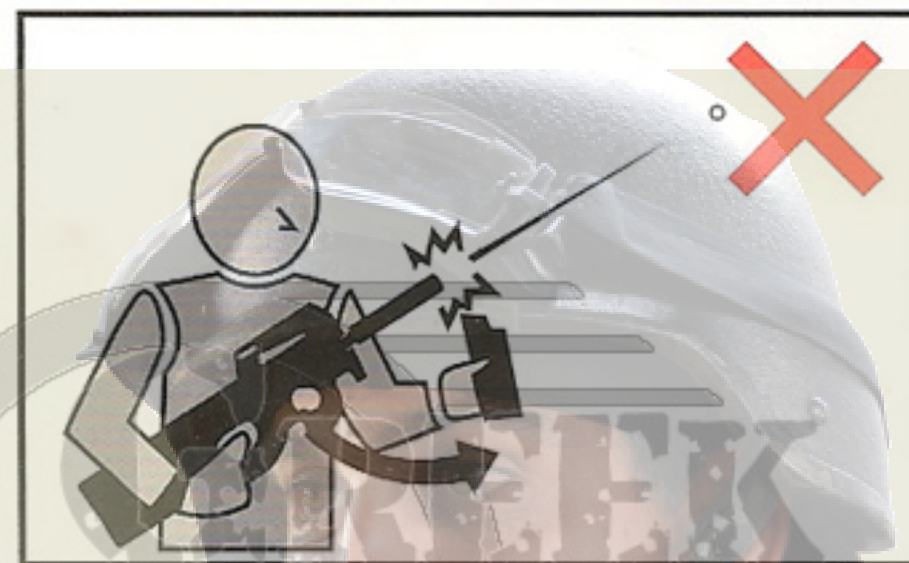
While carrying the soft ballistic gun, make sure the muzzle is tightly covered by the lid, and should be put in the bag or box. 携带枪走路时，安全盖子一定要盖住发射口，并贴紧，而且一定要装入盒子或包子内。

CAUTION 注意 KEEP IT OUT OF THE TOUCH OF THE LITTLE KIDS. 请保管在小孩触手不及的场所。



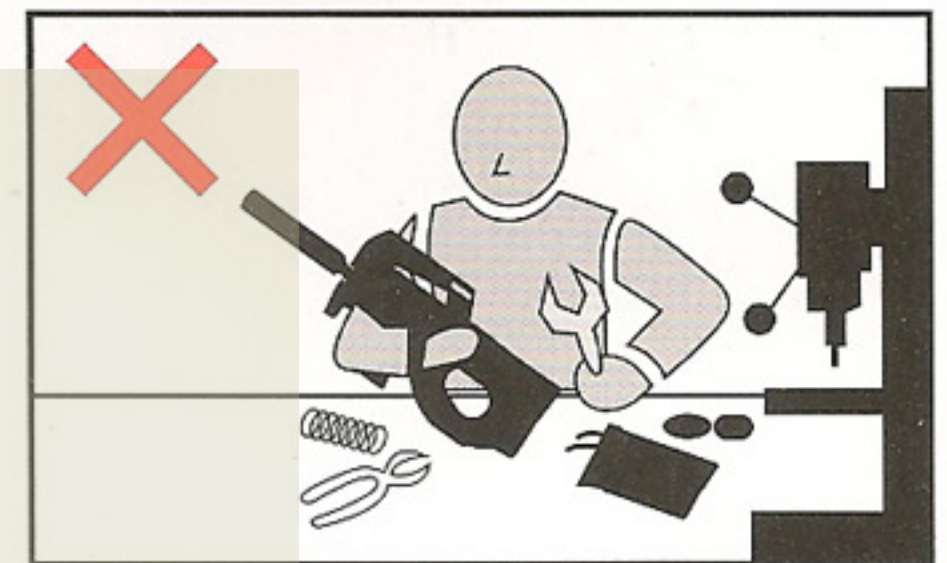
Please put it in the bag or box with the safe lid covered while not using it. And make sure to keep it out of the touch of kids that below 10. 不使用时，一定要将安全盖盖住发射口，放入盒子或包子中，并请保管在未满10岁小孩触手不及之处。

CAUTION 注意 YOU CAN CONDUCT BB BULLETS EVEN THOUGH THE BALLISTIC BOX. 即使取下子弹匣，也有可能发射BB弹



The BB bullets may probably leave in the gun body even you take away the ballistic box, which is very dangerous. So please cover the muzzle with the safe lid after taking away the ballistic box. 即使取下子弹匣，BB弹也有可能残留在枪机中，非常危险。取下子弹匣后，请将安全盖盖住发射口。

CAUTION 注意 DON'T DISMANTLE THE GUN BODY. 请不要拆散枪机。



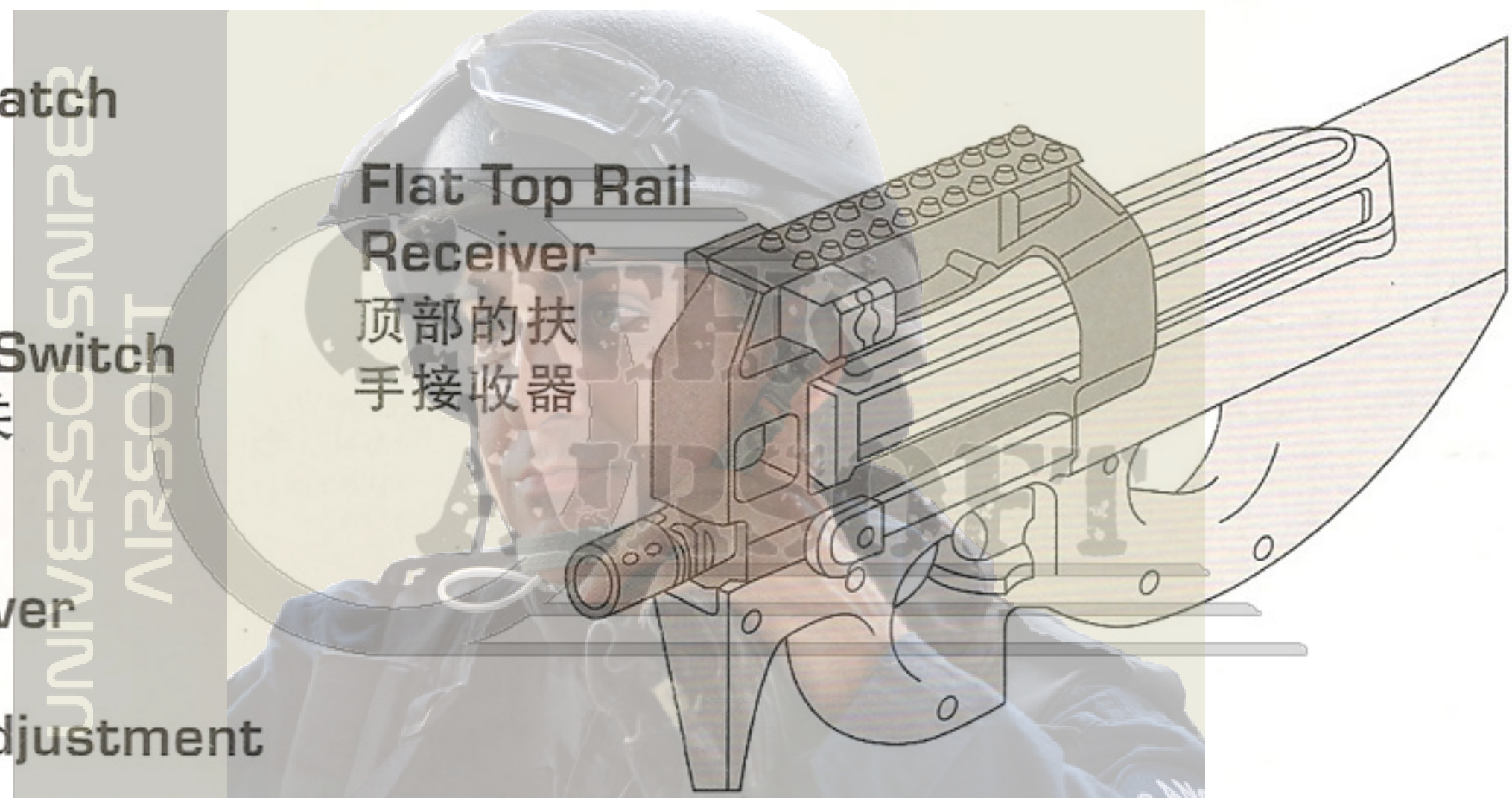
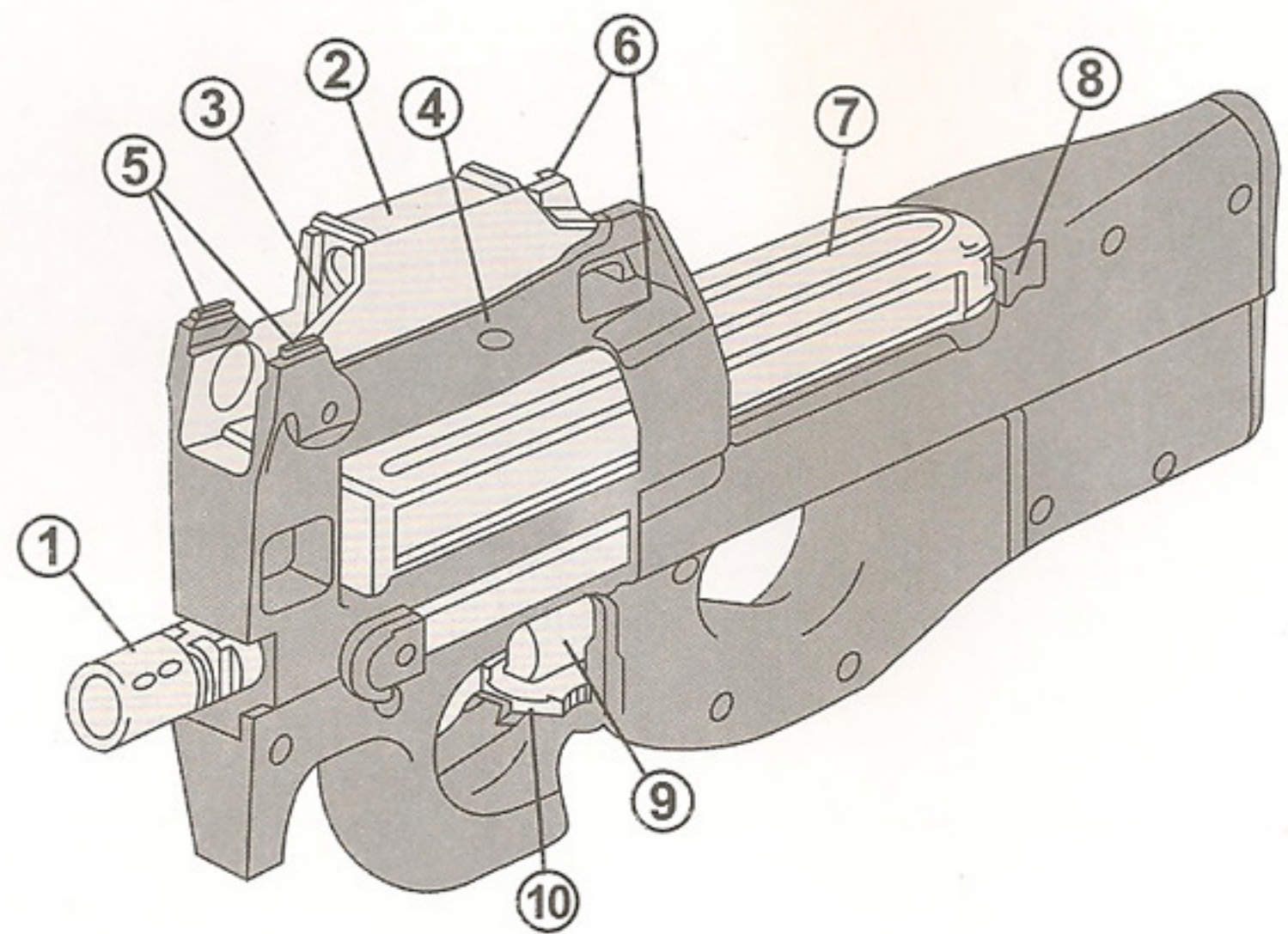
The dismantlement of the gun body would easily cause trouble, incident, which is really dangerous. So please don't dismantle the gun body. 拆散枪机很容易造成故障、事故，非常危险。请绝对不能拆散枪机。

CAUTION 注意

- THIS SOFT BALLISTIC GUN IS INSTALLED WITH 6MM BB BULLETS WHICH CAN SHOOT IN A DISTANCE 20-30M. WHILE USING THIS GUN, YOU HAVE TO CONCERN ALL KINDS OF RISKS, MAKE SURE TO USE IT IN A ABSOLUTE SAFE CONDITION.
- WHILE PLAYING GAMES, PLEASE MAKE SURE THE SAFE CONDITION WHERE THE BB BULLETS MAY POSSIBLY REACH. MAKE SURE THE SECURITY OF THAT THOSE WHO DON'T WEAR PROTECTION GLASSES OR THE SPECTATORS.
- THE MUZZLE SHOULD NOT BE DIRECTED AT GLASS, BULB, FLUORESCENT LAMP, OR HOUSE MACHINE, TEA SET, OR PLATE, FURNITURE, GAS BOTTLE ETC. BECAUSE OF THE DANGER CAUSE BY BROKEN.
- EXCEPT BB BULLETS, NOTHING CAN BE PUT INTO BALLISTIC BOX AND SHOOTING MACHINE.
- THE FINGER CAN INSERT INTO CERTAIN SPOT ACCORDING TO THE SHAPE OF GUN, BUT PLEASE DON'T PUT YOUR FINGER INTO THE GAP OF THE GUN BODY.
- MAKE SURE THE GUN IS PLACE IN THOSE PLACE WHERE IS NOT EASY TO FALL, AND SHOULD BE OUT OF THE REACH OF THE KIDS BELOW 10. WHAT'S MORE, IN ORDER TO PREVENT THE NAUGHTY KIDS, THE MUZZLE SHOULD BE COVERED WITH SAFE LID, AND SHOULD BE PUT IN BAG OR BOX.
- WHEN YOU FOLLOW THE RIGHT WAYS (ACCORDING TO THE INSTRUCTION), BUT STILL CAN SHOOT BB BULLETS; OR WHEN YOU CAN REPAIR BECAUSE OF THE BREAKDOWN CAUSED BY THE GETTING OLD, OR THE FALL DOWN CAUSED BY THE WRONG OPERATION, PLEASE SEND TO THE STORE WHERE YOU GET IT OR MAIL IT TO HAVE IT REPAIRED.
- IF YOU OPERATE PROPERLY, IT CAN CONDUCT 1000 ROUNDS OF BULLETS, AND THE ACCESSORIES CAN BE REPLACED. IF YOU CAN'T DO IT, THAT MEANS THERE IS SOMETHING WRONG IN IT. PLEASE SEND IT TO THE STORE WHERE YOU GET IT OR MAIL IT TO HAVE IT EXAMINED OR CHANGE THE PARTS.
- 此枪安装的6毫米的BB弹能飞出20~30米。使用时要考虑各种危险，应在十分安全下才能使用。
- 玩游戏时，要确认BB弹可能射到之处的安全。注意没有戴护目镜的人和不参加游戏的人的安全。
- 因有破碎、损坏的危险，发射口绝对不能对着玻璃、日光灯、电灯、家庭用电器品、茶具及盘子等家具，自动气瓶等发射。
- 子弹匣和发射器，除BB弹外不能放入其他物品
- 此枪机的形状，手指等可能插入某处。请注意手指一定不能插入枪机的间隙。
- 摆放枪机的地方一定是不易掉落或滚落，并保管在未满18岁小孩触手不及之处。另外，为防止小孩捣蛋，发射口一定要用安全盖盖住，而且要装进袋子或盒子内。
- 正确使用方法（按说明书），但不能发射BB弹时，可因变旧而引起的故障，错误使用引起的掉落等自己无法修改时，请务必拿到所购买的商店维修。
- 正确使用此枪机约能发1000发，还能更换配件。如果不能的话说明里面有故障。请拿到所购买的商店检查或更改配件。

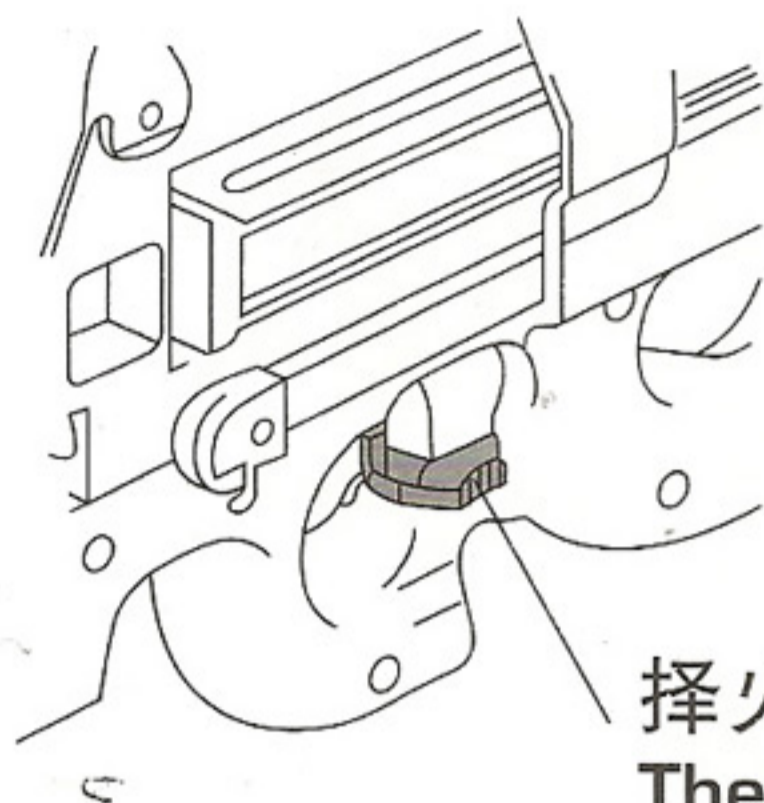
Gun Description 枪的说明书

- 1 Flash Hider
闪光快门
- 2 Dot Sight (optional)
圆点准星(可选择)
- 3 Battery Lid (dot sight)
电池盖(圆点准星)
- 4 Sight Switch (dot sight)
准星开关(圆点准星)
- 5 Front Sight
前准星
- 6 Rear Sight
后准星
- 7 Magazine
弹匣
- 8 Magazine Catch
弹匣卡榫
- 9 Trigger
扳机
- 10 Select Fire Switch
选择开火开关
- 11 Butt Plate
靶板
- 12 Sight Receiver
视线接收器
- 13 Elevation Adjustment
上升调节
- 14 Windage Adjustment
偏差调节
- 15 Mount Rail
上升扶手
- 16 Cocking Handle
牙簧杆柄
- 17 Hop up Cover
上旋盖
- 18 Receiver lock
接收锁
- 19 Hop up Chamber
上旋枪膛
- 20 Pad Release Button
释放按钮
- 21 Receiver
接收器



Flat Top Rail
Receiver
顶部的扶手
接收器

Select Fire Switch 选择开火开关



1. Safety ON
安全状态



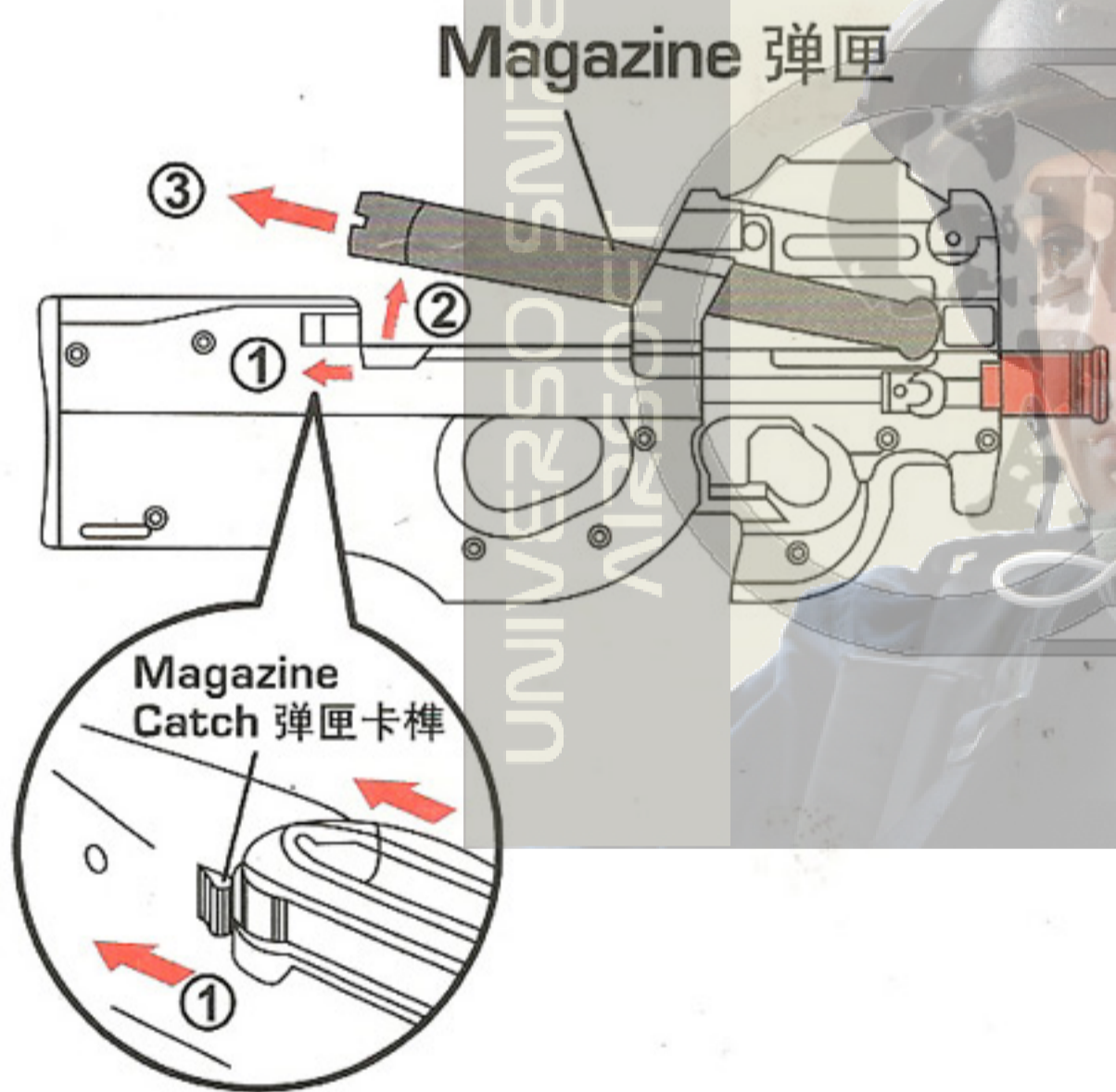
2. Semi-Auto
半自动状态



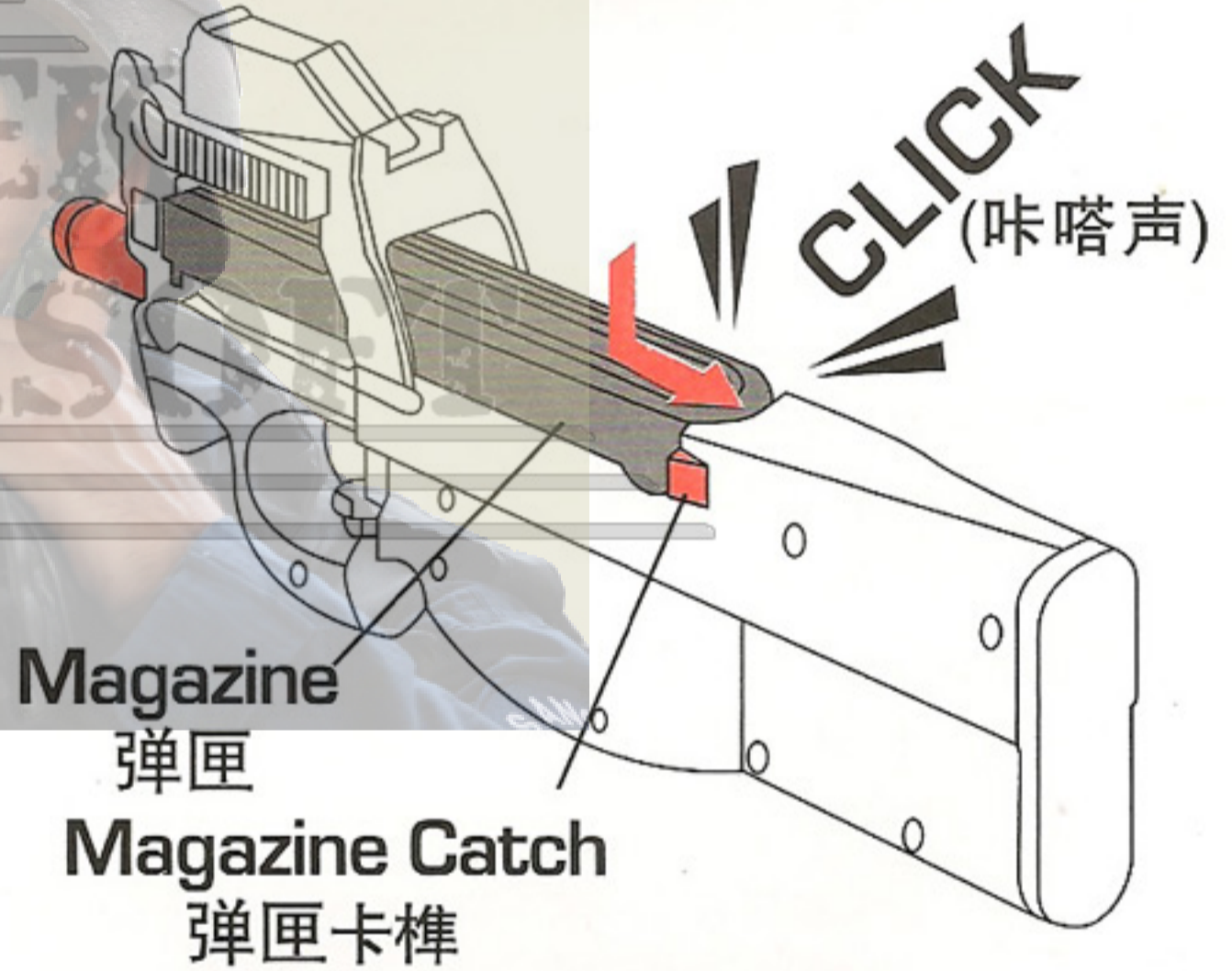
3. Full Auto
全自动状态

择火开关置于扳机下,转动左右使用
The Select Fire Switch is located below the trigger. To use it turn left and right.

Removing and Installing the Magazine 拆下和安装弹匣



1. Pull both Magazine Catches back.
向后拉弹匣卡榫
2. Lift end of Magazine up.
向上拉弹匣
3. Pull back to remove.
往回拉使之移动



1. Push down then back until a click is heard.
往下推直到听到咔嗒声

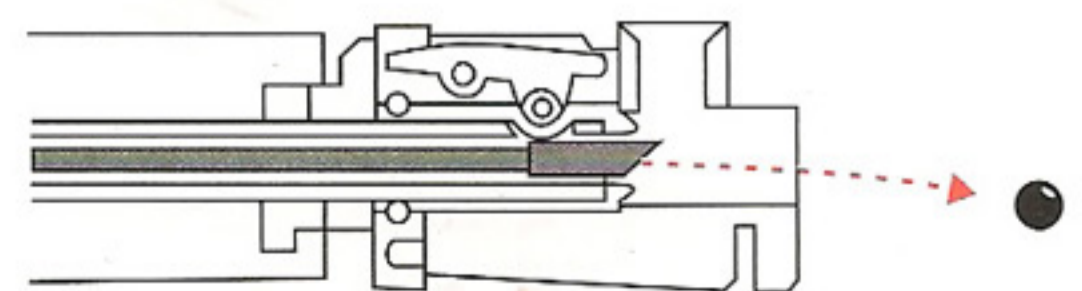
To unjam a bad BB use the angle end to push it backwards out the chamber

用清洁棒的角尾端向后去推动它,使堵塞在枪膛内坏掉的BB弹掉出枪膛.

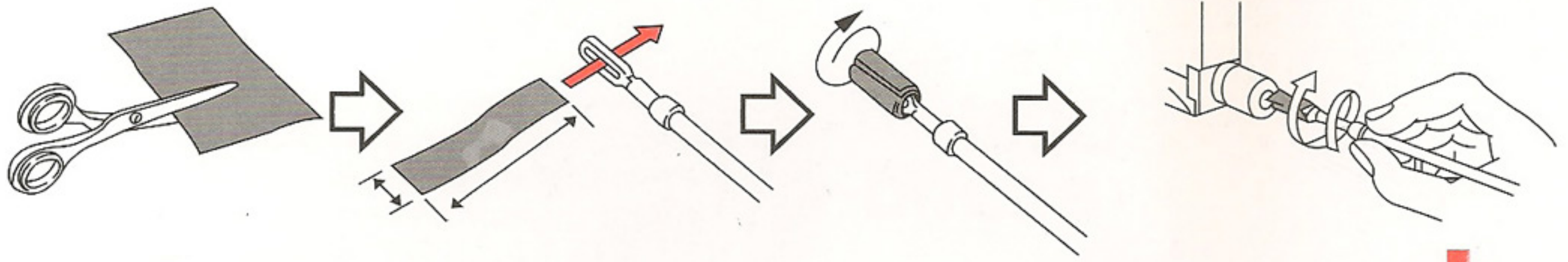
Good
优良的



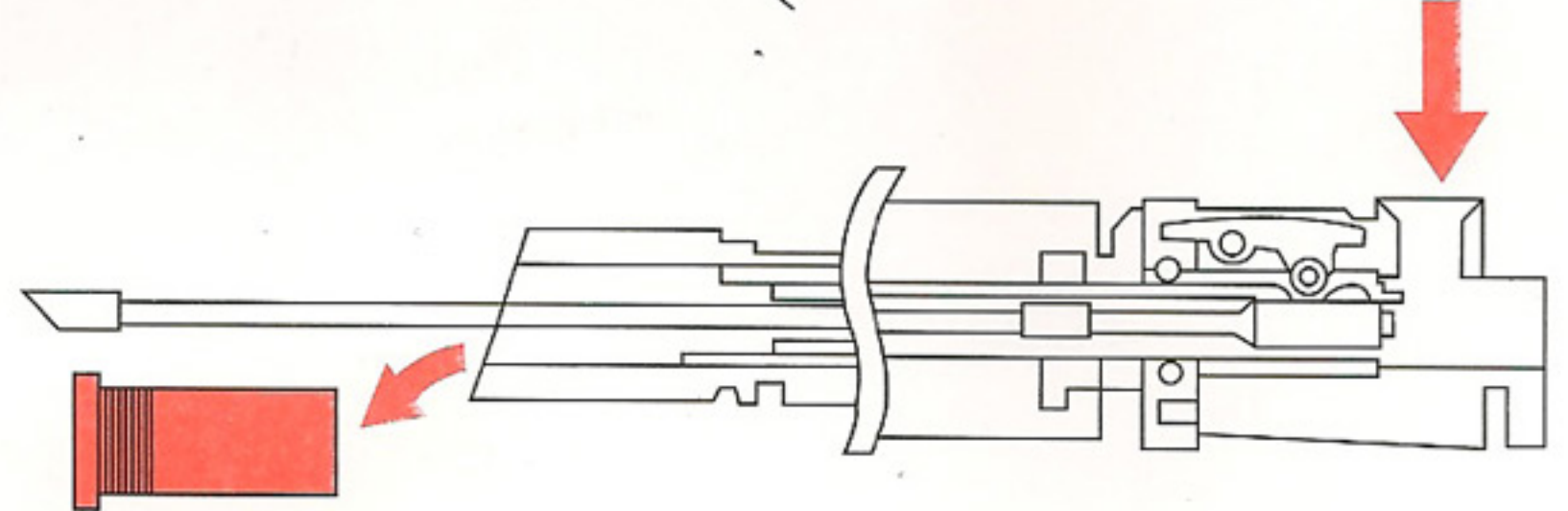
Bad
劣质的



The Barrel: Unjam and Clean 枪管：抗挤压和清洁



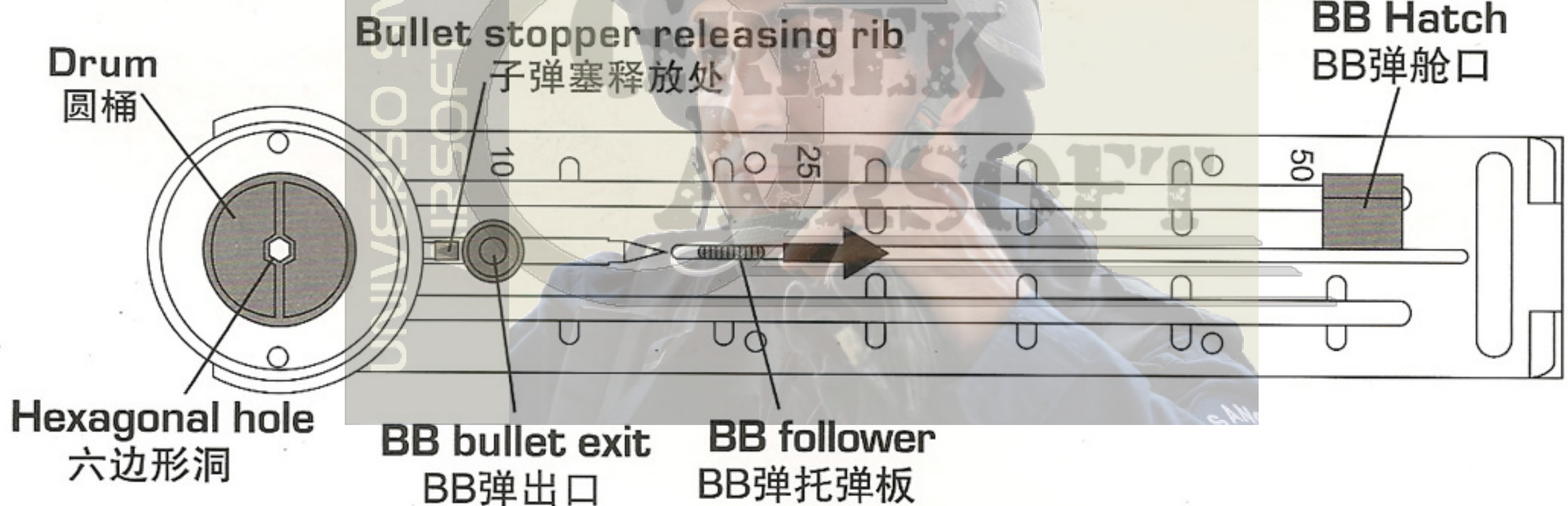
To clean the barrel cut a small rectangle of tissue and gently twist down the barrel. Use caution and turn OFF the hop up.
剪一小块长方形的薄棉轻轻地转动枪管, 使用注意关掉上旋



How to Use The Magazine 弹匣的使用

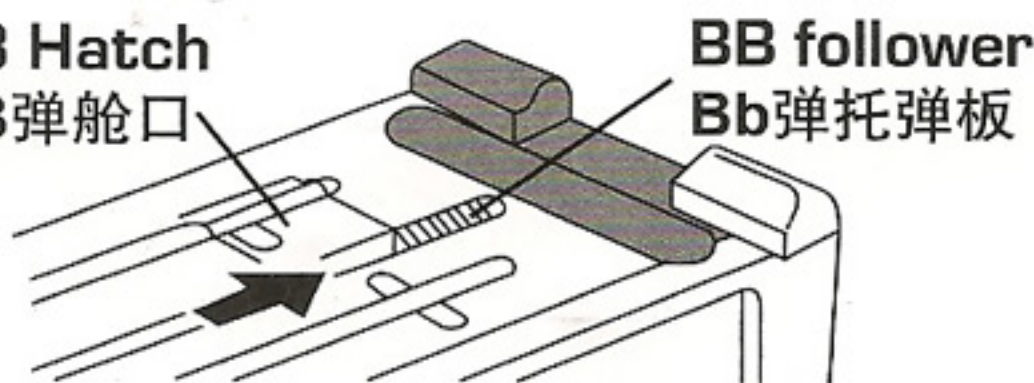
CAUTION
注意

Do not open the BB bullet hatch or charge bullets without pulling the BB follower.
如果没有拉动托弹板, 不要打开BB弹舱口或者装满子弹.

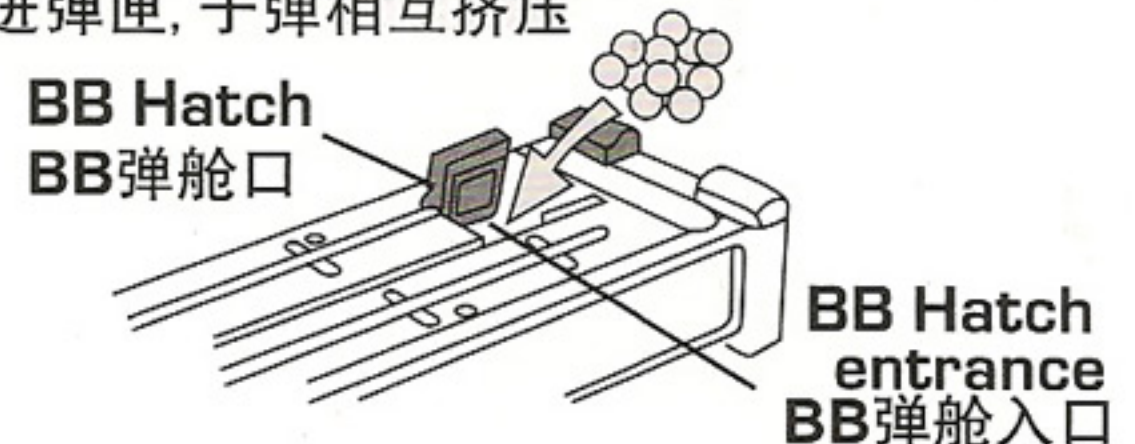


Inside the magazine is assembled extremely accurately. Avoid invasion of dust and dirt into the magazine to prevent malfunctions.
弹匣内部是极其精密的装置, 避免灰尘进入弹匣, 防止故障

① Pull the BB follower in the direction of the until it stops.
拉动BB弹匣的托弹板直到它停止



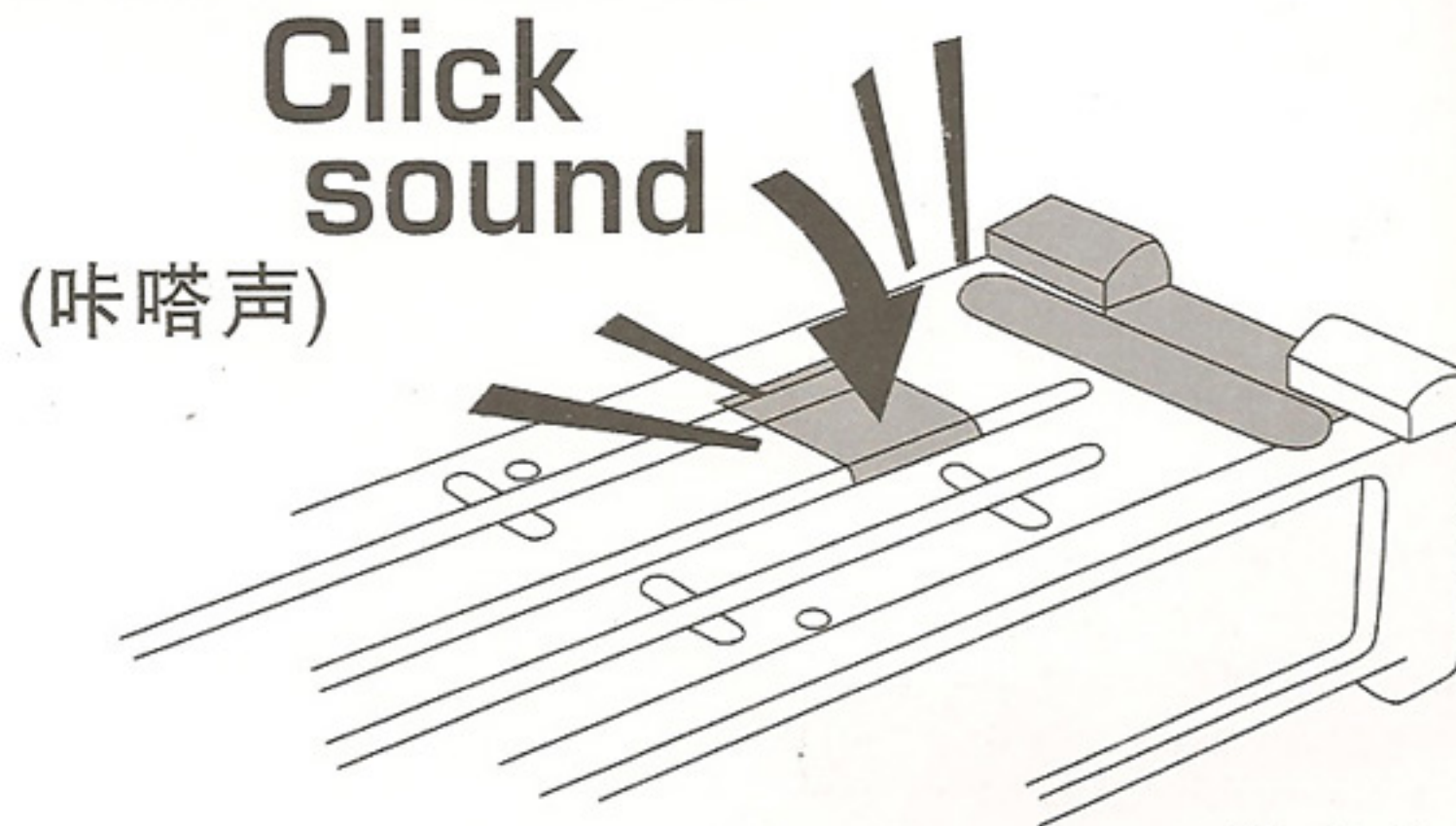
② Open the BB hatch to lock the BB follower and charge BB bullets. The magazine can contain about 300 bullets. (Avoid pressing bullet into the magazine using excessive force.)
打开BB弹的舱口, 按住托弹板, 注入BB弹. 弹匣能容纳300颗子弹. (避免装入过多子弹进弹匣, 子弹相互挤压)



CAUTION
注意

Make sure to pull the BB follower until it stops before opening the BB bullet hatch or charging bullets (non-observance may lead to damage).
在打开BB弹舱口或装BB弹之前确保把托弹板拉到停止为止

- ③ Close the BB bullet hatch until clicks. The BB follower is unlocked and pushes bullets. If charging a limited number of bullets, move the BB follower forward slowly. 关上BB弹的舱口直到听到咔嚓声,开启BB弹托弹板并且推动子弹.如果装入一定限度的子弹,慢慢向前移动BB弹的托弹板.



- To remove the remaining bullets in the magazine, stand the magazine as shown in the figure and turn the drum clockwise while pulling the bullet stopper releasing rib.

拆下弹匣里剩余的子弹,竖起弹匣并且顺时针转动圆桶同时拉动子弹塞

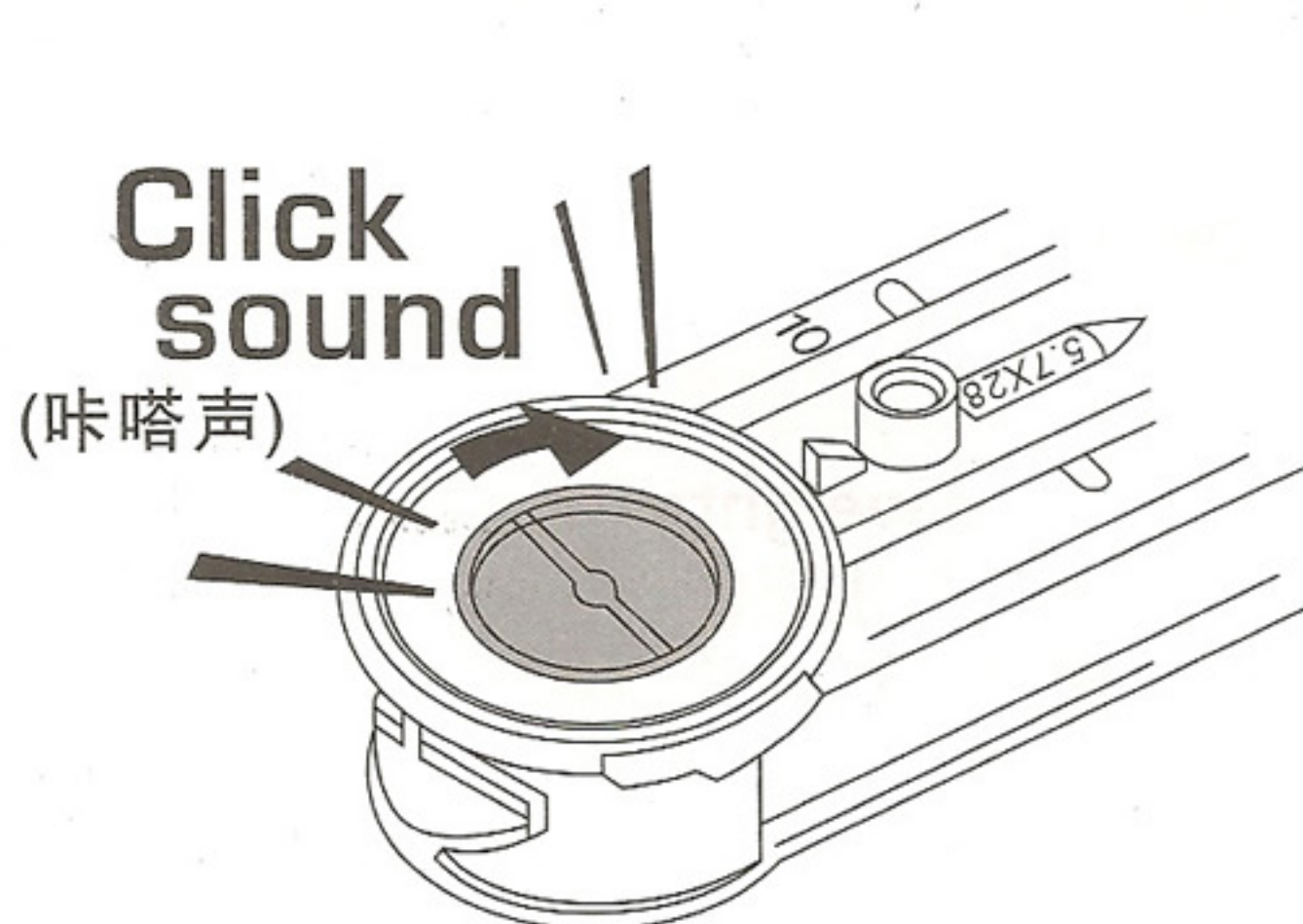


Do not turn the gear reversely to avoid damage to the inside parts and the hexagonal hole.

不要反方向地转动齿轮,避免对内部零件和六边形洞造成伤害.

- ④ Turn the drum at the bottom until it clicks. Alternatively, insert the adjunctive hexagonal key to the central hexagonal hole and turn the gear (The gear turns without load if only a limited number of bullets exists.)

转动底部圆桶直到听到咔嚓声. 插入附加的六边形钥匙到中央的六边形洞并且转动齿轮



※ Turn the gear all the way until the sounds change.
转动齿轮直到声音变化为止.

Caution: If you turn the gear too much it will damage and break the internal parts.
注意:如果过多的转动齿轮将会受损并且破坏内部的零件

使用者手册

⑤ Check that BB bullets are moved up to the BB bullets exit and then insert the magazine into the rifle.

检查BB弹上升到BB弹的出口然后插入弹匣到膛线里。

● **Recovery 恢复**

Occasionally feed of bullets stops during operation. In that case, detach the magazine and give shocks as shown below while pulling the BB bullet follower 2 or 3 CM, then reattach the magazine.

有时装入的子弹在操作过程会停止如果那样的话, 分开弹匣如下震动同时拉动BB弹托弹板2到3厘米, 之后重新附上弹匣

※ If feed of bullets does not return to normal after the above, remove all bullets from the magazine to make it empty and lock the BB follower with the BB bullet hatch, Then apply the optional Marui Silicone Oil Spray for 0.5 to 1 second into the magazine. Please be informed that the spraying silicone oil may adversely affect the hop-up operation for a while.

※ 如果上述操作后装入的子弹没有返回正常状态, 卸下弹匣里所有子弹, 使弹匣成为空的, 再固定托弹板与BB弹舱口, 然后选择适合的硅树脂油向弹匣里喷射0.5-1秒. 请了解硅树脂油可能不利地影响上旋操作一阵子.

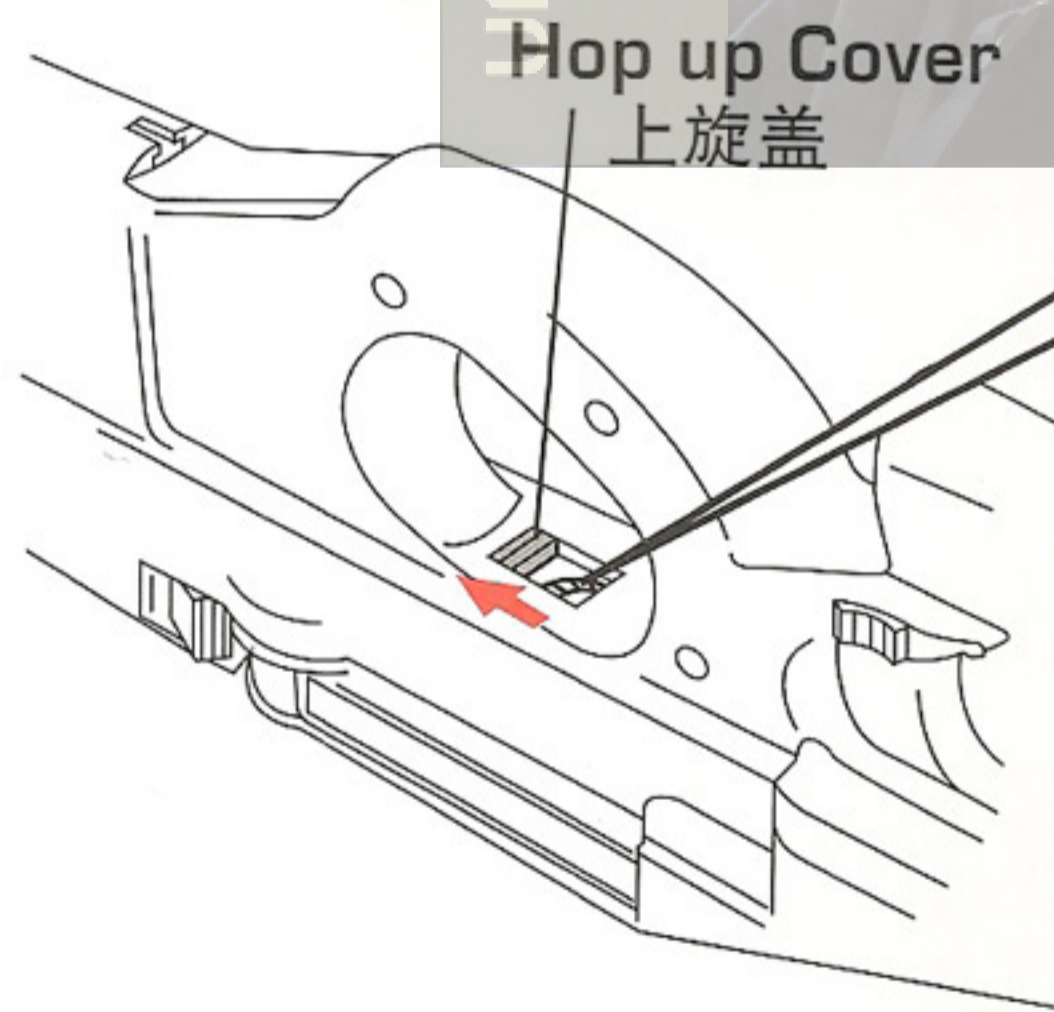
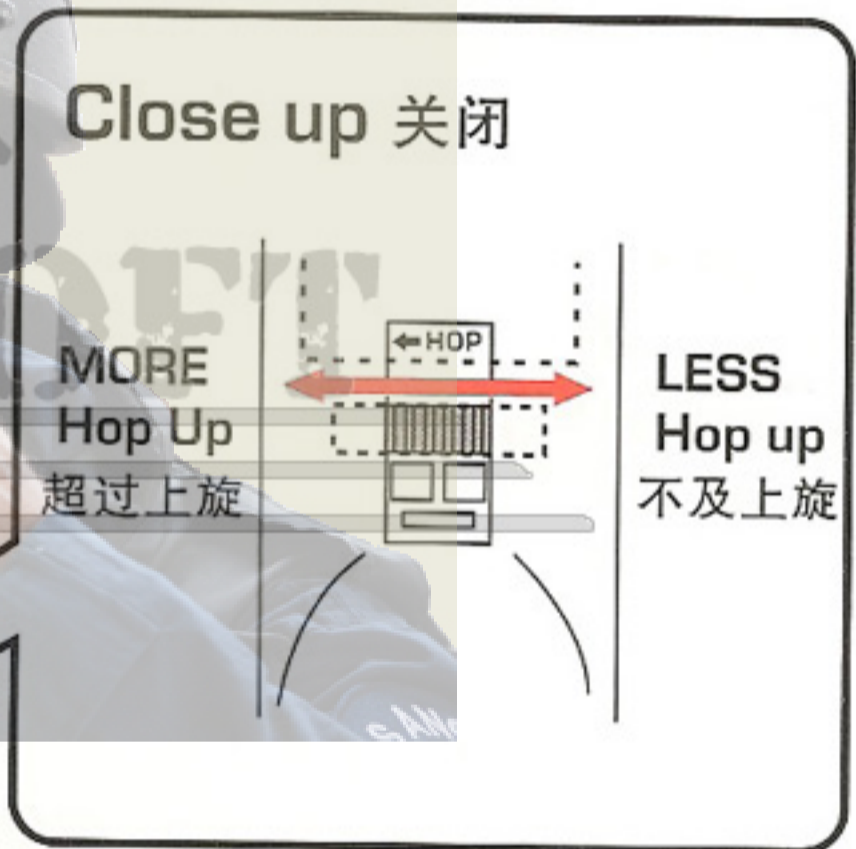


How to use the Hop up: 上旋的使用:

The hop up is under the gun, you will need to turn the gun over to easily use it.

上旋系统在枪下, 你必须把枪翻过来使用

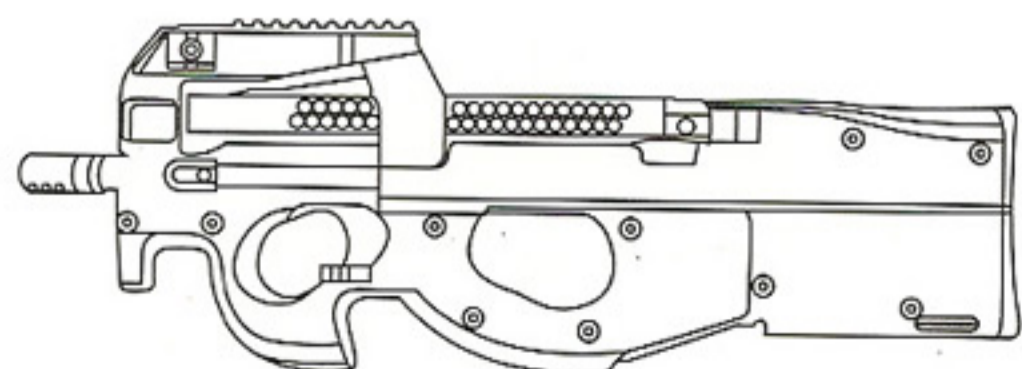
Take time to adjust and test fire to see your results. 花时间调整并检验发射



Depending on the weight of the BB, being .20g -.25g or more you will need to make adjustments for the different weights

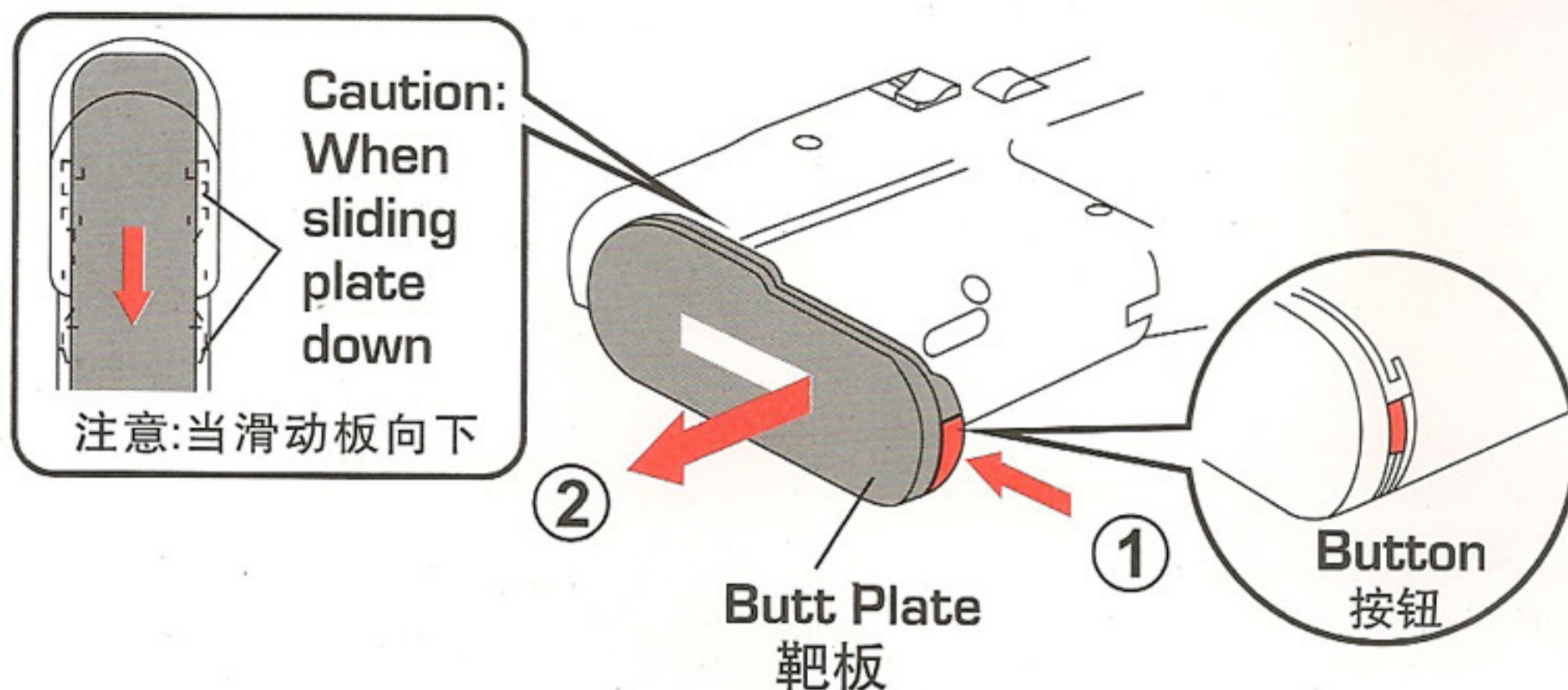
根据BB弹的重量20-25克或者以上的必须根据不同的重量作调整

- ✗ Too much hop-up (Return the lever towards HOP) 上旋调整过度
- Best position 最佳调整
- ✗ Not enough hop-up (Move the lever towards HOP) or, too much hop-up (Return the lever towards NORMAL.) 上旋调整不足



Installing the battery 安装电池:

In the center of the Butt Plate press and slide down while the Release Button is pressed 在靶板的中央按下去并且向下滑动之后释放按住的按钮。



Slide the mini type battery into the space provided.
滑动小型号的电池到提供的空间里。

Make sure all loose wires are tucked away before you put the Butt Plate back on
在靶板回转之前确保全部电线塞进去

Plug both connectors together.
插入两个连接器



P-90TR SILENCER

UNIVERSO SNIPER
AIRSOFT





MADE IN CHINA