



Python 357 Series Instruction Manual

Please read through all instructions before operating the revolver.



⚠ WARNING

- User of this airsoft rifle must be 18 years of age or older.
- The shooting range of the plastic BB bullet can reach up to 100 meters, beware at all time. Careless shooting may cause eyes or other injuries.
- Read through this Handling and Instruction Manual carefully before operating this Airsoft Gun.

WARNING

Please read through this Manual carefully before operating this gun.

This sport gun is developed for recreational use and it is capable to shoot BB bullets as a projectile so please be caution when handling or using this gun. Please pay special attention for safe operation and remember the warnings and be cautions at all times. Careless shooting or improper use is dangerous, and it can cause damage or injury on human or animal.

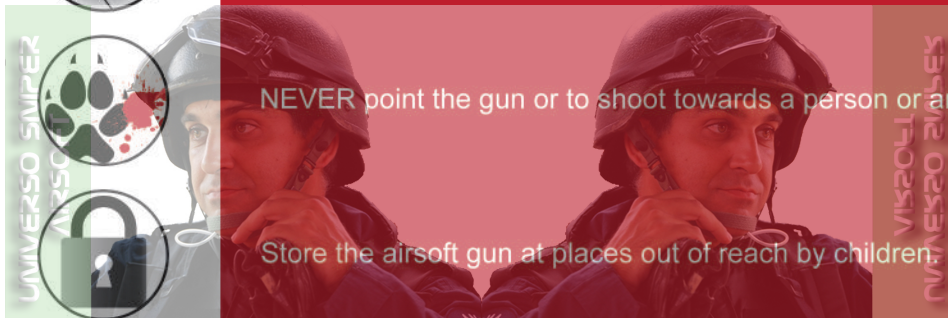
Operating this sport gun must be aged over 18 years old. Users must understand and follow the laws of country before possessing or operating this product.



Always wear eyes protective gear.



NEVER look into the gun muzzle.



NEVER point the gun or to shoot towards a person or an animal.

Store the airsoft gun at places out of reach by children.



Always put the gun in a case or bag when you are carrying it.



Always put your finger away from the trigger except you are ready to fire the gun.



Set selector lever at the "SAFE" position, and remove the magazine when the rifle is not in use.

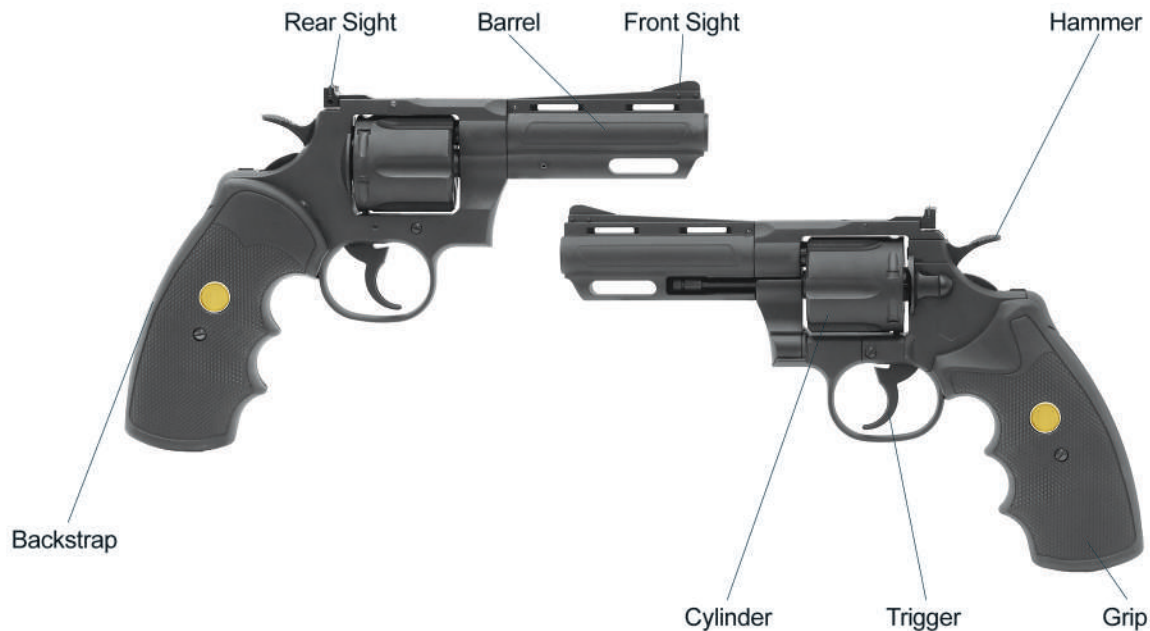


Even if the magazine is removed, there might be remaining BB bullet in the gun which still can be shooting.



Use only the designated battery charger to charge battery.
Do NOT use battery which is swell-up or damaged.
Do NOT expose battery to water or fire.
Do NOT drop, throw or bend the battery.
Do NOT expose the battery to extreme high or low temperatures.

Component Names : KA-PG-01 Co2



Specification

Suggested Energy Source	: Co2
Overall Length	: S- 205mm ; M- 250mm ; L- 290mm
Inner Barrel Length	: S- 52mm ; M- 80mm ; L- 135mm
Weight without Co2 Magazine	: S- 890g ; M- 950g ; L- 1025g
Main Material	: Aluminum alloy
Major Color	: Black / Silver
Capacity	: 6 Rds
Caliber	: 6 mm
Marking	: King Arms
Accessories come with package	: 6 bullet shells · shell speed loaders
Muzzle Velocity (Canada version)	: Over 366 FPS
Muzzle Velocity (Italy / Japan version)	: Lower than 0.98J
Muzzle Velocity (Standard version)	: 240~260 FPS

Component Names : KA-PG-01 Gas



Suggested Energy Source	: Gas
Weight without Gas Magazine	: S-984g ; M-1020g ; L-1056g

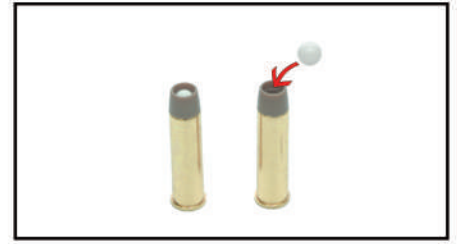
Operation



1. Pull the cylinder-release backward.



2. Push the ejector-rod to eject bullets.



3. Place 6mm BBs in the tip of bullet shells.



4. Put all 6 pieces of bullet in the quick loader.



5. Push and twist the handle to lock bullets in position.



6. Hold the handle then align and push bullets into the cylinder, retract the loader.



7. Push the cylinder towards the main frame.



8. Loading completed.

Safety and triggering



1. Push the safety lock toward hammer to lock. Pull backward when ready to fire.



2. Pull the trigger to fire.

Insert of Co2 cartridge



1. Grasp the grip tightly and use a HEX key or coins to unscrew the end cap anti-clockwise to open. Insert the CO2 cartridge, screw back tightly the end cap.

Fill gas

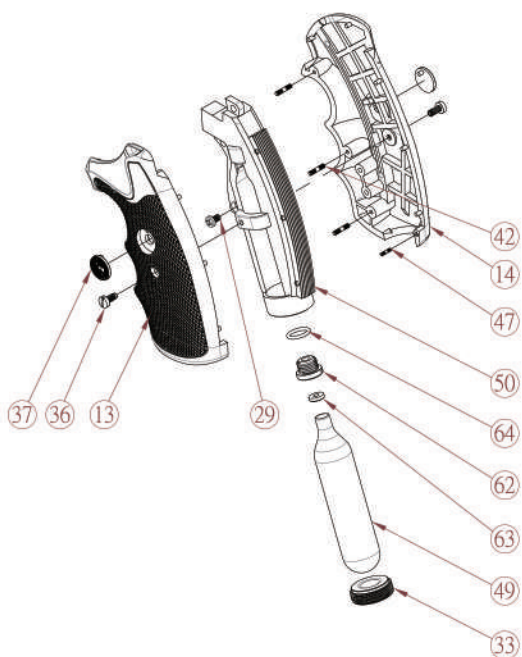
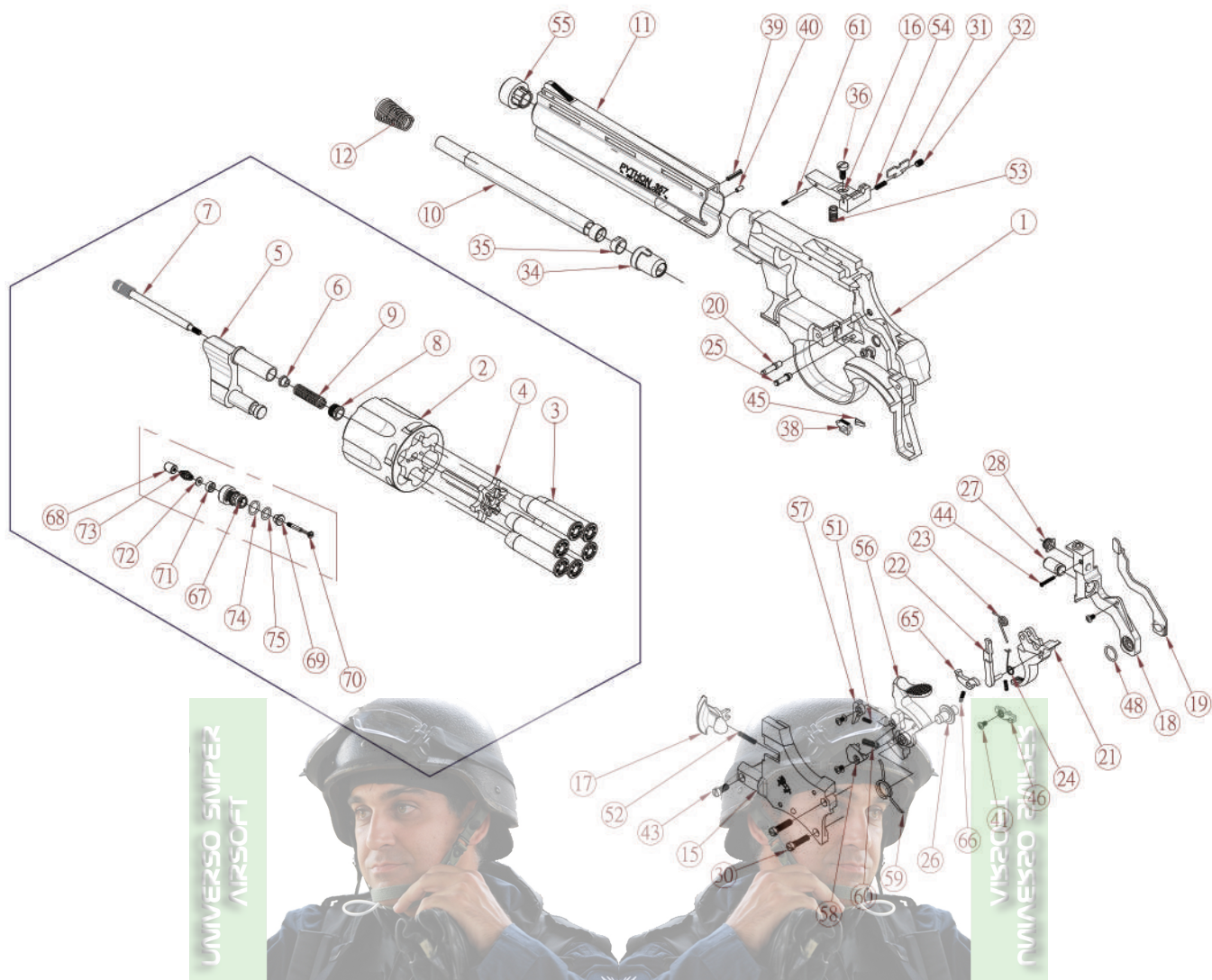


1. Fill gas 90 degrees into the revolver vertically for 3-4 sec.

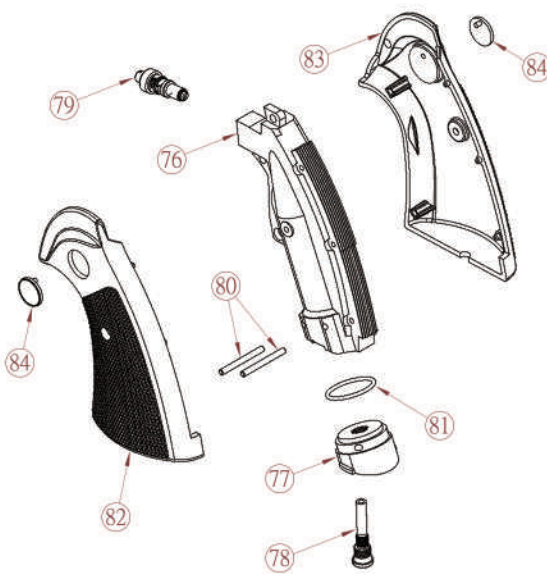


2. protect parts #78 from over cold or over tight of the spring parts which may lead to gas leaking.

Explosive Diagram



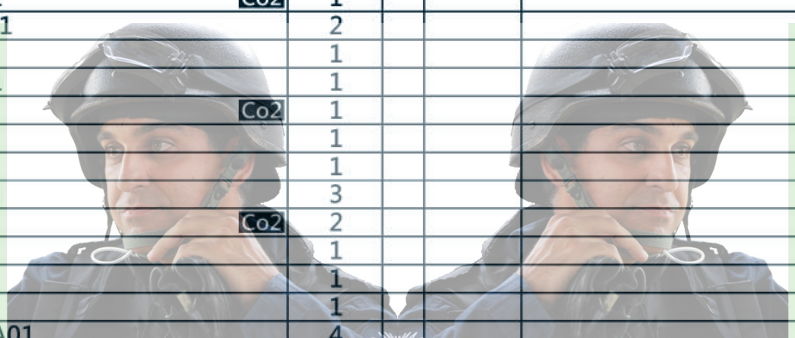
CO2 Grip



Gas Grip

Explosive Diagram

編號	零件名稱	數量	編號	零件名稱	數量
1	PG-01-04-A01	1	72	WAP-2X4D8X0D5-A01	1
2	PG-01-07-A01	1	73	S-L-PG-01-05-A01	1
3	AS-PG-01-10-A01	6	74	OR8X1-A02	1
4	PG-01-12-A01	1	75	OR7X1-A02	1
5	PG-01-08-A01	1	76	PG-04-23-A01	Gas 1
6	PG-01-32-A01	1	77	PG-04-24-A01	Gas 1
7	PG-01-33-A01	1	78	AS-PG-04-25-A01	Gas 1
8	PG-01-31-A01	1	79	AS-PG-04-26-A01	Gas 1
9	S-R-20X5D9X0D6X15N-A01	1	80	P-C-2D5X25-A01	Gas 2
10	IB-139D5-A01	1	81	OR22X1D5-A01	Gas 1
11	PG-01-01-A01	1	82	PG-04-08-A01	Gas 1
12	S-L-PG-01-02-A01	1	83	PG-04-09-A01	Gas 1
13	PG-01-22-A01	Co2 1	84	PG-01-46-A01	Gas 2
14	PG-01-24-A01	Co2 1			
15	PG-01-14-A01	1			
16	PG-01-06-A01	1			
17	PG-01-13-A01	1			
18	PG-01-36-A01	1			
19	PG-01-35-A01	1			
20	PG-01-28-A01	1			
21	PG-01-17-A01	1			
22	PG-01-16-A01	1			
23	S-L-PG-01-04-A01	1			
24	S-L-PG-01-03-A01	1			
25	PG-01-30-A01	1			
26	PG-01-27-A01	1			
27	PG-01-29-A01	1			
28	PG-01-20-A01	1			
29	SCR-CR-3M3X5-A01	Co2 1			
30	SCR-ST-2M3X12-A01	2			
31	PG-01-09-A01	1			
32	SCR-HE-0M3X4-A01	1			
33	PG-01-43-A01	Co2 1			
34	PG-01-03-A01	1			
35	PG-01-02-BK-A01	1			
36	SCR-ST-2M3X5-A01	3			
37	PG-01-44-A01	Co2 2			
38	PG-01-49-A01	1			
39	P-09-O-A01	1			
40	P-05-O-A01	1			
41	SCR-CR-3M2X3D5-A01	4			
42	PG-01-37-A01	Co2 3			
43	SCR-ST-2M3X7-A01	2			
44	SCR-CR-1M1D4X10-A01	1			
45	PG-01-51-A01	1			
46	PG-01-52-A01	1			
47	PG-01-53-A01	Co2 1			
48	OR9X1-A02	1			
49	CO2	Co2 1			
50	PG-01-23-A01	Co2 1			
51	S-R-5D5X1D8X0D15X7N-A01	2			
52	S-R-12D3X2D3X0D3X15N-A01	1			
53	S-R-8D4X4D6X0D4X8N-A01	1			
54	S-R-7D3X2D3X0D3X9N-A01	1			
55	PG-01-57-OR-A01	1			
56	PG-01-15-A01	1			
57	PG-01-19-A01	1			
58	PG-01-58-A01	1			
59	S-L-PG-01-01-A01	1			
60	S-L-PG-01-06-A01	1			
61	P-C-1D7X17D5-A01	1			
62	PG-01-25-A02	Co2 1			
63	PG-01-41-A01	Co2 1			
64	OR-9X1D5-A01	Co2 1			
65	PG-01-18-A01	1			
66	S-R-7D5X1D8X0D3X12N-A01	1			
67	PG-01-26-A01	1			
68	PG-01-40-A01	1			
69	PG-01-42-A01	1			
70	PG-01-38-A01	1			
71	PG-01-50-A01	1			



VISIOLI
NUMERO 331115

VISIOLI
NUMERO 331115

Thank you very much for buying King Arms product.

Airsoft Gun, Parts and Accessories Manufacturer

