



SAA .45 Peacemaker Revolver Instruction Manual

Please read through all instructions before operating the revolver.



⚠ WARNING

- User of this airsoft rifle must be 18 years of age or older.
- The shooting range of the plastic BB bullet can reach up to 100 meters, beware at all time. Careless shooting may cause eyes or other injuries.
- Read through this Handling and Instruction Manual carefully before operating this Airsoft Gun.

WARNING

Please read through this Manual carefully before operating this gun.

This sport gun is developed for recreational use and it is capable to shoot BB bullets as a projectile so please be caution when handling or using this gun. Please pay special attention for safe operation and remember the warnings and be cautions at all times. Careless shooting or improper use is dangerous, and it can cause damage or injury on human or animal.

Operating this sport gun must be aged over 18 years old. Users must understand and follow the laws of country before possessing or operating this product.



Always wear eyes protective gear.



NEVER look into the gun muzzle.



NEVER point the gun or to shoot towards a person or an animal.



Store the airsoft gun at places out of reach by children.



Always put the gun in a case or bag when you are carrying it.



Always put your finger away from the trigger except you are ready to fire the gun.



Set selector lever at the "SAFE" position, and remove the magazine when the rifle is not in use.



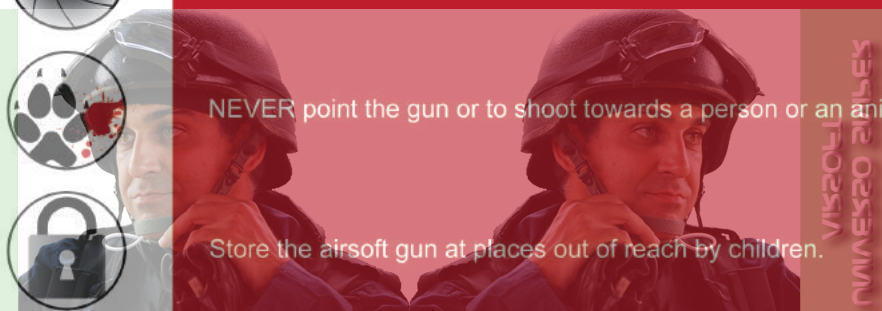
Even if the magazine is removed, there might be remaining BB bullet in the gun which still can be shooting.



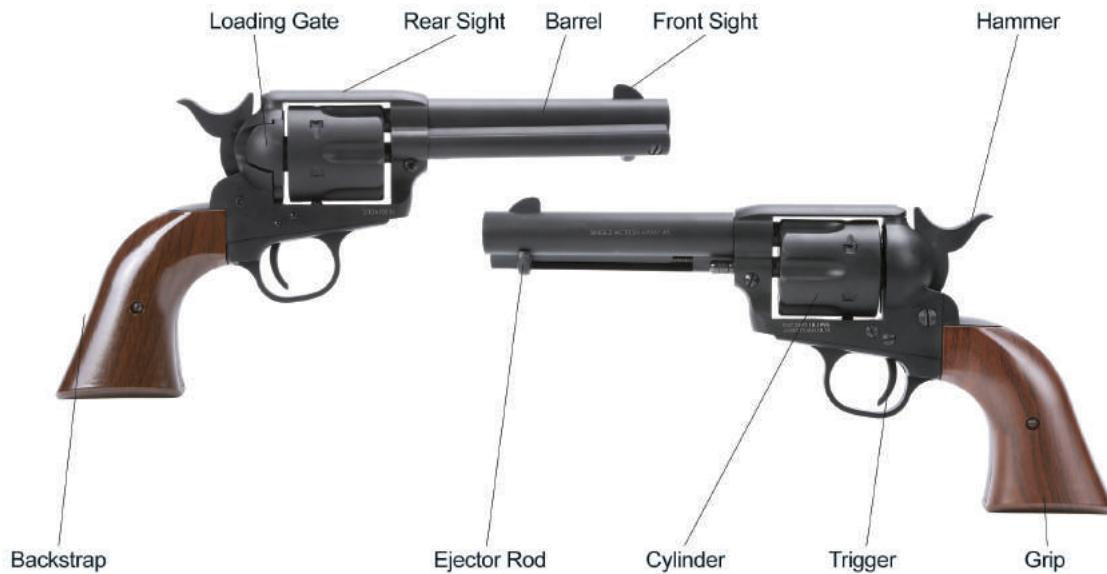
Use only the designated battery charger to charge battery.
Do NOT use battery which is swell-up or damaged.
Do NOT expose battery to water or fire.
Do NOT drop, throw or bend the battery.
Do NOT expose the battery to extreme high or low temperatures.

UNIVERSO SIMPER
AIRSOFT

UNIVERSO SIMPER
AIRSOFT



Component Names : KA-PG-10-S



Specification

Suggested Energy Source	: Gas
Overall Length	: 253mm
Inner Barrel Length	: 117mm
Weight without Magazine	: 836g
Main Material	: Zinc Alloy; ABS
Major Color	: Dull Black / Electroplating Black / Bluing / Cerakote Black / Silver
Capacity	: 6 Rds
Caliber	: 6 mm
Marking	: King Arms
Accessories come with package	: 6 bullet shells
Muzzle Velocity (Canada version)	: Over 366 FPS
Muzzle Velocity (Italy / Japan version)	: Lower than 0.98J
Muzzle Velocity (Standard version)	: 250~290 FPS

Component Names : KA-PG-10-M



Overall Length : 306mm
 Inner Barrel Length : 166mm
 Weight without Magazine : 873g

Operation



1. Pull the hammer till half way (not BBs loaded ready).



2. Open the cylinder bullet inlet by moving it to right side.



3. Spin the cylinder clockwise till the latch precisely stop the cylinder in the correct position for ejecting bullets easily.



4. Push the ejector-rod to eject bullets.



5. After ejected the first bullet, spin the cylinder clockwise till the next bullet position, repeat the 3-4 till all the bullet ejected..



6. Place 6mm BBs in the tip of bullet shells.



7. Hold the handle then align and push bullets into the cylinder.

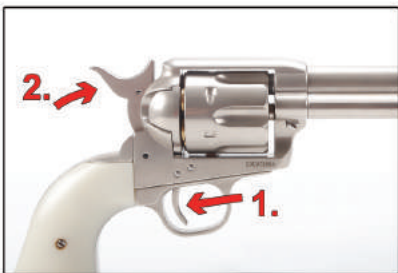


8. Close the cylinder bullet inlet.

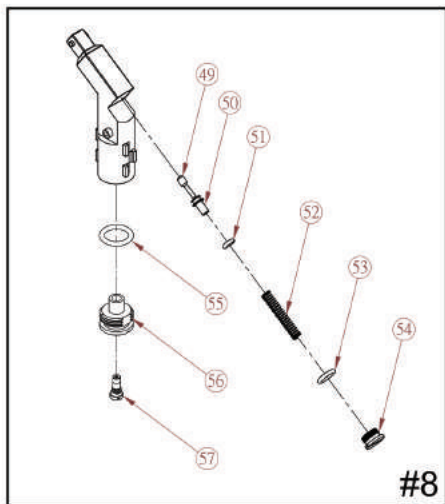
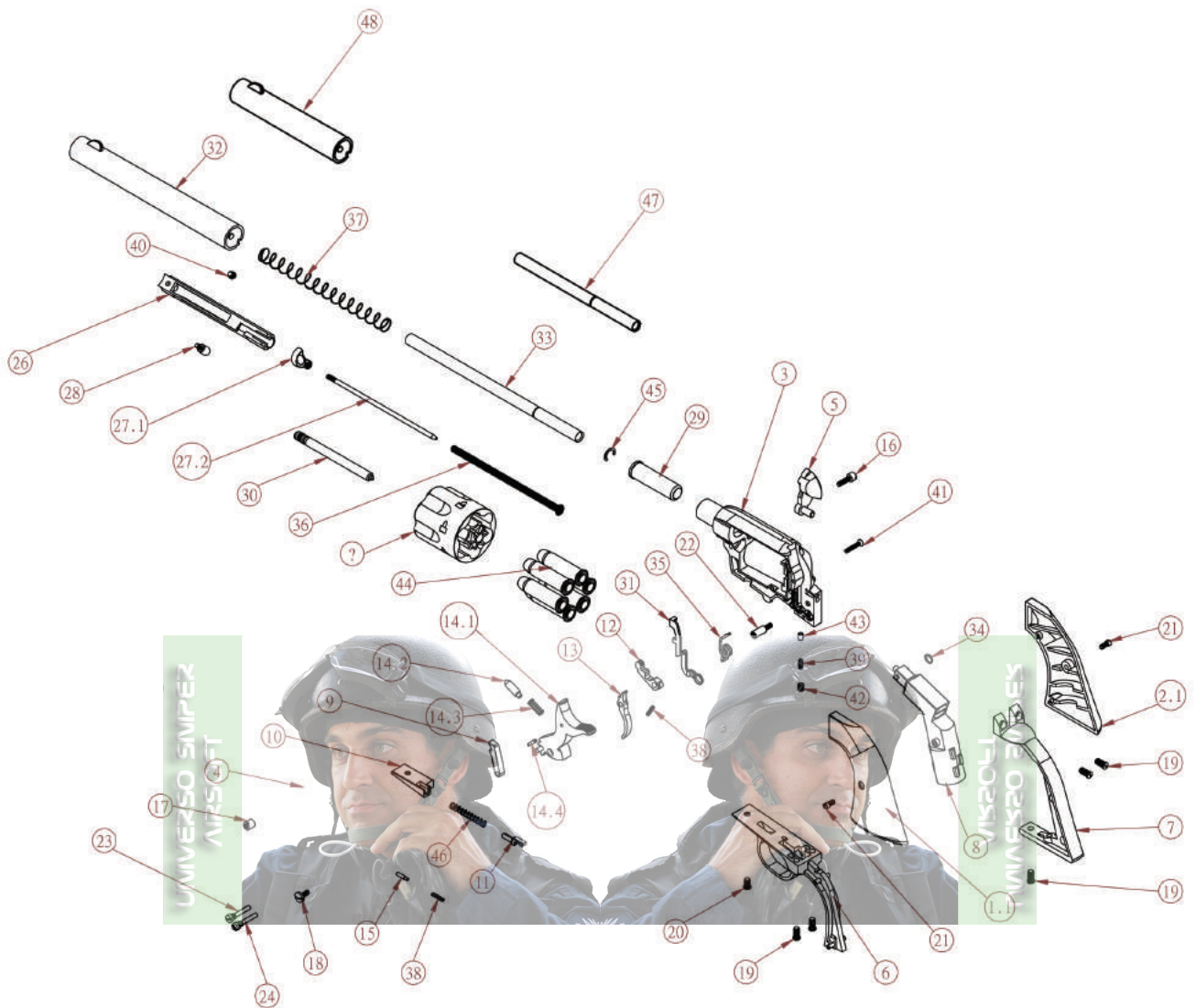


9. Continue pull the hammer till the end (BBs loaded ready), and start to shoot.

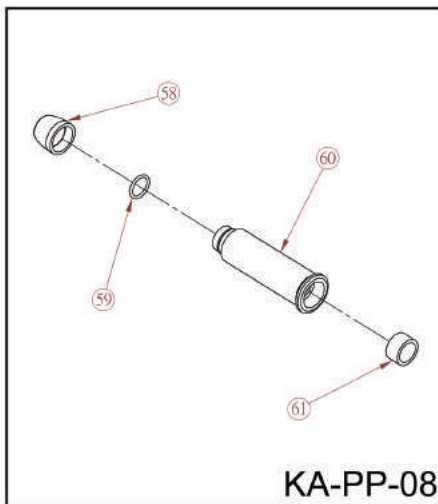
Gas Release



1. Pull and hold the trigger, then push the hammer to front, the gas will be released.



#8



KA-PP-08

Explosive Diagram

編號	零件名稱	數量	編號	零件名稱	數量
1	AS-PG-10-01-A01	1	44.2	PG-10-34-A01	1
1.1	PG-10-01-A01	1	44.3	PG-10-35-A01	1
1.2	PG-10-44-A01	1	44.4	OR5D85X0D9-A01	1
2	AS-PG-10-02-A01	1	45	ETW-10X7X0D5-A01	1
2.1	PG-10-02-A01	1	46	S-R-32X4D5X0D5X12N-A01	1
2.2	PG-10-44-A01	1	47	PG-10-06-A01	KA-PG-10-S 1
3	PG-10-03-A01(160428)	1	48	IB-116-A01	KA-PG-10-S 1
4	PG-10-04-A01	1	49	PG-10-09-A01 (160428)	1
5	PG-10-05-A01	1	50	PG-10-11-A01	1
6	PG-10-07-A01	1	51	OR3D3X2-A02	1
7	PG-10-08-A01	1	52	S-R-30X5D3X0D4X22N-A01	1
8	AS-PG-10-09-A01	1	53	OR7D5X2-A01	1
8.1	AS-PG-10-10-A01	1	54	PG-10-12-A01	1
8.1.1	PG-10-10-A01	1	55	AS-PG-11-MAG-09-A01	1
8.1.2	OR13X2D5-A01	1	56	PG-10-10-A01	1
8.1.3	AS-PG-11-MAG-09-A01	1	57	OR13X2D5-A01	1
8.1.3.1	PG-11-MAG-09-A01	1	58	PG-10-34-A01	KA-PP-08 6
8.1.3.2	PG-11-MAG-10-A01	1	59	OR-5D85X0D9-A01	KA-PP-08 6
8.1.3.3	PG-11-MAG-11-A02	1	60	PG-10-33-A01	KA-PP-08 6
8.1.3.4	OR3D3X2-A02	1	61	PG-10-35-A01	KA-PP-08 6
8.1.3.5	S-R-6X2D2X0D4X7N-A01	1			
8.1.3.6	SOR-3X1D5X1D1-A01	1			
8.2	PG-10-09-A01(160428)	1			
8.3	PG-10-11-A01	1			
8.4	PG-10-12-A01	1			
8.5	OR3D3X2-A02	1			
8.6	OR7D5X2-A01	1			
8.7	S-R-30X5D3X0D4X22N-A01	1			
9	PG-10-13-A01(1120)	1			
10	PG-10-14-A01	1			
11	PG-10-15-A01	1			
12	PG-10-16-A01(1120)	1			
13	PG-10-17-A01(160316)	1			
14	AS-PG-10-18-A01	1			
14.1	PG-10-18-A01(170511)	1			
14.2	PG-10-19-A01	1			
14.3	S-R-12X4D6X0D3X8N-A01	1			
14.4	P-C-2X7D8-A01	1			
15	PG-10-22-A01	1			
16	PG-10-23-A01	1			
17	PG-10-24-A01	1			
18	PG-10-25-A01	1			
19	PG-10-26-A01	5			
20	PG-10-27-A01	1			
21	PG-10-28-A01	2			
22	PG-10-29-A01	1			
23	PG-10-30-A01	1			
24	PG-10-31-A01	1			
25	PG-10-32-A01	1			
26	PG-10-36-A01	1			
27	AS-PG-10-37-A01	1			
27.1	PG-10-37-A01	1			
27.2	PG-10-38-A01	1			
28	PG-10-39-A01	1			
29	PG-10-40-A01	1			
30	PG-10-41-A01	1			
31	PG-10-43-A01(160613)	1			
32	PG-10-45-A01	KA-PG-10-M 1			
33	IB-166-A01	KA-PG-10-M 1			
34	OR-5X1-A01	1			
35	S-L-PG-10-01-A01	1			
36	S-L-PG-10-02-A01	1			
37	S-R-120X10X0D6X16N-A01	1			
38	S-R-10D5X2D3X0D3X12N-A01	2			
39	S-R-8X3X0D6X8N-A01	1			
40	SCR-ST-2M4X3-A01	1			
41	SCR-ST-1M255X15-A01	1			
42	SCR-HE-0M4X5-A01	1			
43	P-C-3D4X5-A01	1			
44	AS-PG-10-33-A01	6			
44.1	PG-10-33-A01	1			



VISIOLI
TUMESPO 2M15E5

Thank you very much for buying King Arms product.

Airsoft Gun, Parts and Accessories Manufacturer

