

KJWORKS

UNIVERSO SNIPER
AIRSOFT



KJ-M4

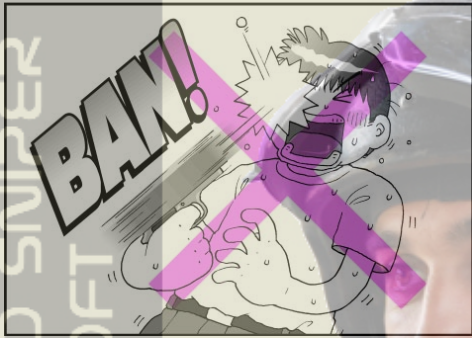
MANUAL



EYE PROTECTION DEVICE MUST BE EQUIPPED



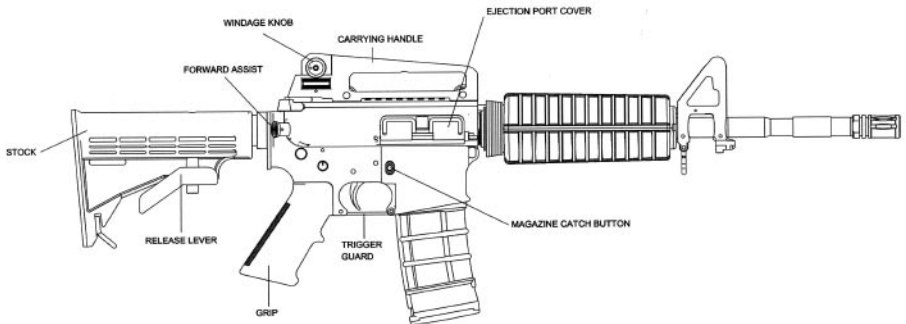
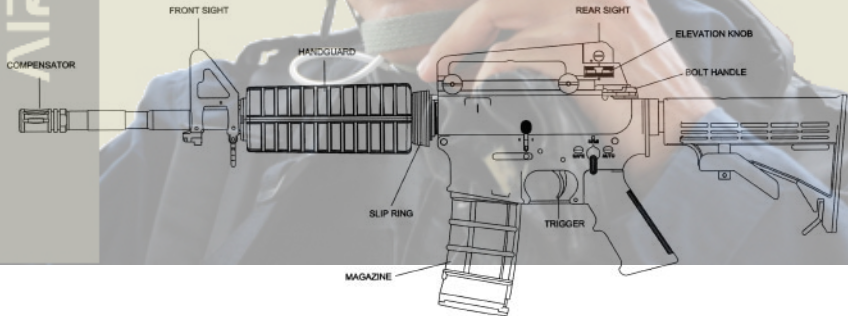
DO NOT LOAD ANYTHING BUT BB BULLETS.



DO NOT LOOK THROUGH THE BARREL



PLEASE SHOOT IN SAFE PLACE



UNIVERSO SNIPER AIRSOFT

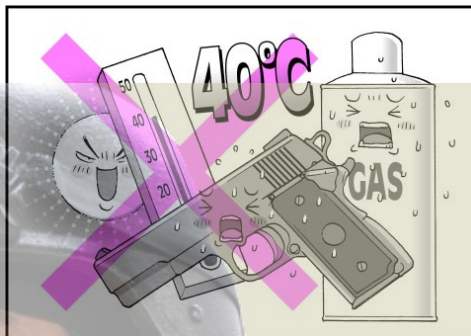
WARNING:

BEFORE USAGE, THE INSTRUCTION MUSE BE READ.

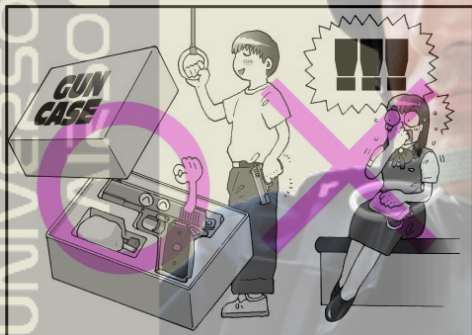
THANK YOU FOR PURCHASING. THE FOLLOWING ATTENTION POINTS AND INSTRUCTIONS MUST BE READ. SHOOTING WITHOUT CAUTION OR USED IMPROPERLY, BLINDNESS OR INJURIES COULD BE LEAD.



DO NOT POINT AT PEOPLE OR ANIMAL.



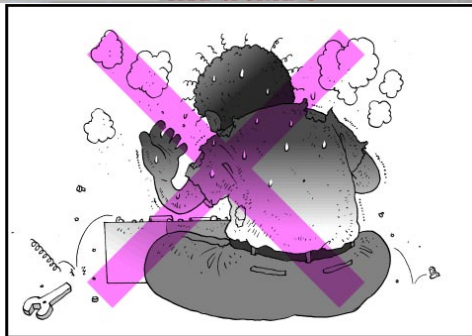
GUN AND GAS MUST NOT BE PLACED IN AREA WHERE TEMPERATURE IS OVER 40 °C



PLACE IN GUN CASE WHEN NOT IN USING OR TRANSPORTING



DO NOT USE GAS WHICH PRESSURE IS OVER 12 Kgs/cm²



UNAUTHORIZED RECONSTRUCTION OF AIR SOFT GUN TO STRENGTHEN FIRING FUNCTION IS STRICTLY PROHIBITED.



BE CAREFULL WHAT TARGET YOU SHOOT

7. MAKE SURE THERE IS NO GAP BETWEEN BOLT AND CHAMBER



9. SWITCH FIRE CONTROL SELECTOR



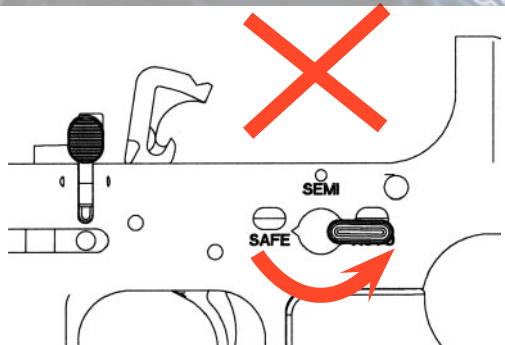
8. PUSHING FORWARD ASSIST IF THERE IS A GAP



FOLLOW THE DIRECTION



ATTENTION: ONLY SWITCH WHEN HAMMER IS COCKED



OPERATION

1. PUSH MAGAZINE CATCH BUTTON AND PULL DOWN THE MAGAZINE



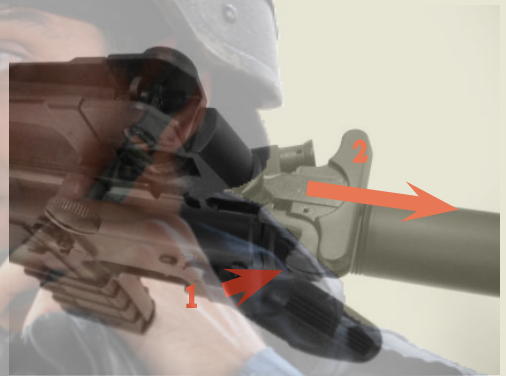
4. INSERT MAGAZINE



2. USE BB LOADER TO LOAD BB BULLET.



5. PULL CHARGING HANDLE



3. FILLING GAS

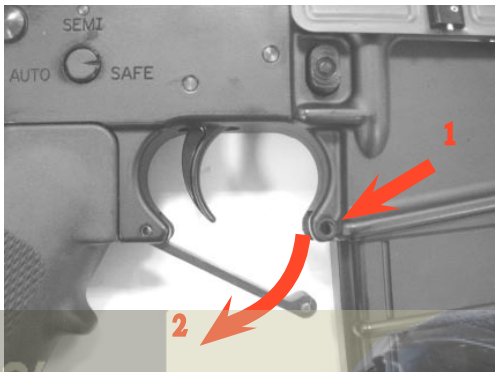


6. RELEASE CHARGING HANDLE



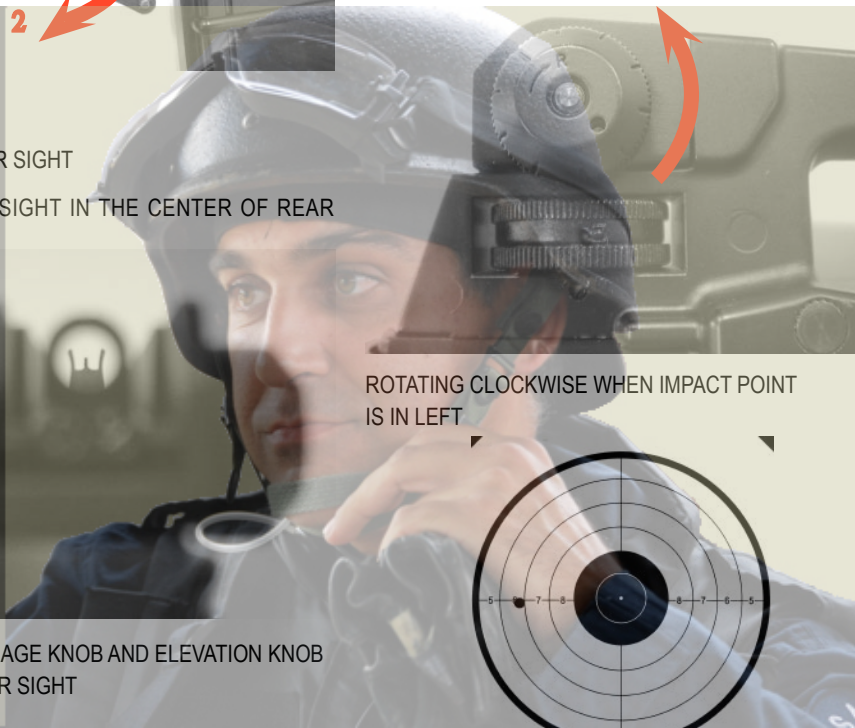
DEPRESS GUARD PLUNGER AND OPEN THE TRIGGER GUARD WHEN WEARING ARCTIC MITTENS

ROTATING ANTICLOCKWISE WHEN IMPACT POINT IS IN RIGHT



14. ADJUST REAR SIGHT

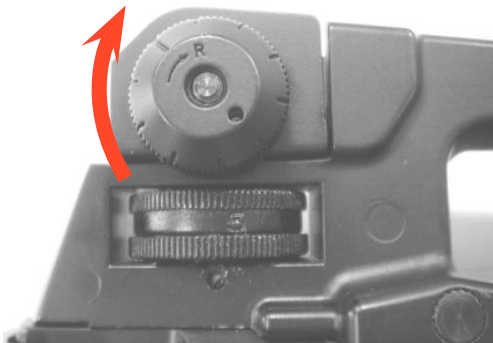
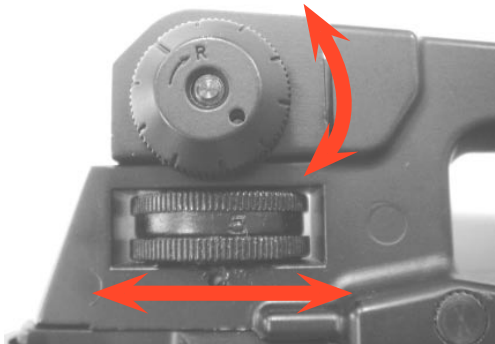
PLACE FRONT SIGHT IN THE CENTER OF REAR SIGHT



ROTATING CLOCKWISE WHEN IMPACT POINT IS IN LEFT



ROTATING WINDAGE KNOB AND ELEVATION KNOB TO ADJUST REAR SIGHT



FULL AUTO



SWITCH BLANK MODE LEVER TO DECIDE THE BOLT WILL BE CAUGHT OR NOT WHEN RUN OUT OF BULLET



**BLANK
MODE ON**

SEMI-AUTO



**BLANK
MODE OFF**

10. PULL THE TRIGGER

12. RELEASE THE MAGAZINE

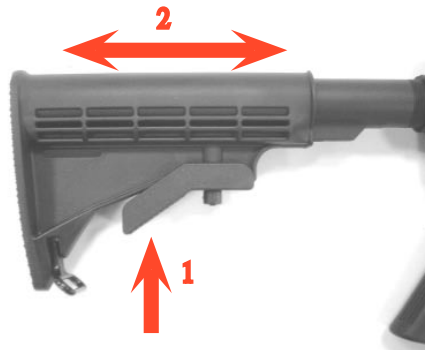


11. BOLT STOP

BOLT WILL BE CAUGHT IN BACK POSITION WHEN RUN OUT OF BULLETS

13. ADJUST STOCK

PRESS ADJUST LEVER TO ADJUST STOCK



DISASSEMBLE

1. PUSH MAGAZINE CATCH BUTTON AND PULL DOWN THE MAGAZINE



2. PULL CHARGING HANDLE



3. CHECK THE CHAMBER TO MAKE SURE THERE IS NO BULLET IS LOAD



4. SWITCH FIRE SELECTOR TO SAFE POSITION



5. PUSH TAKE DOWN PIN

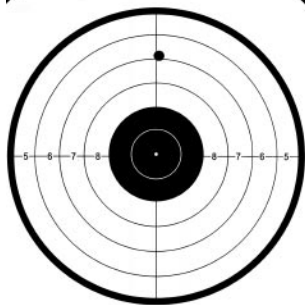


6. OPEN UPPER RECEIVER

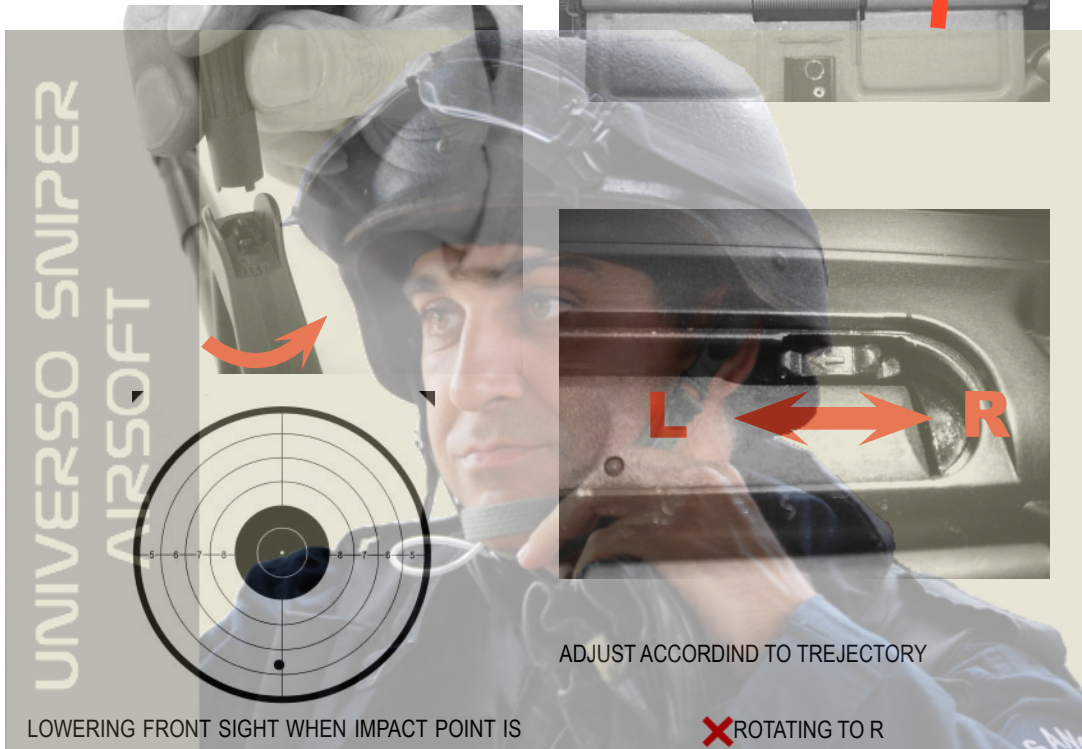


15. TREJECTORY ADJUSTMENT

ROTATING HOP DIAL TO ADJUST TREJECTORY

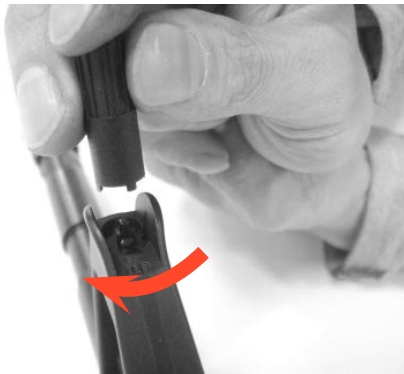


RAISING FRONT SIGHT WHEN IMPACT POINT IS HIGHT

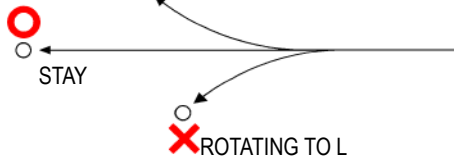


ADJUST ACCORDIND TO TREJECTORY

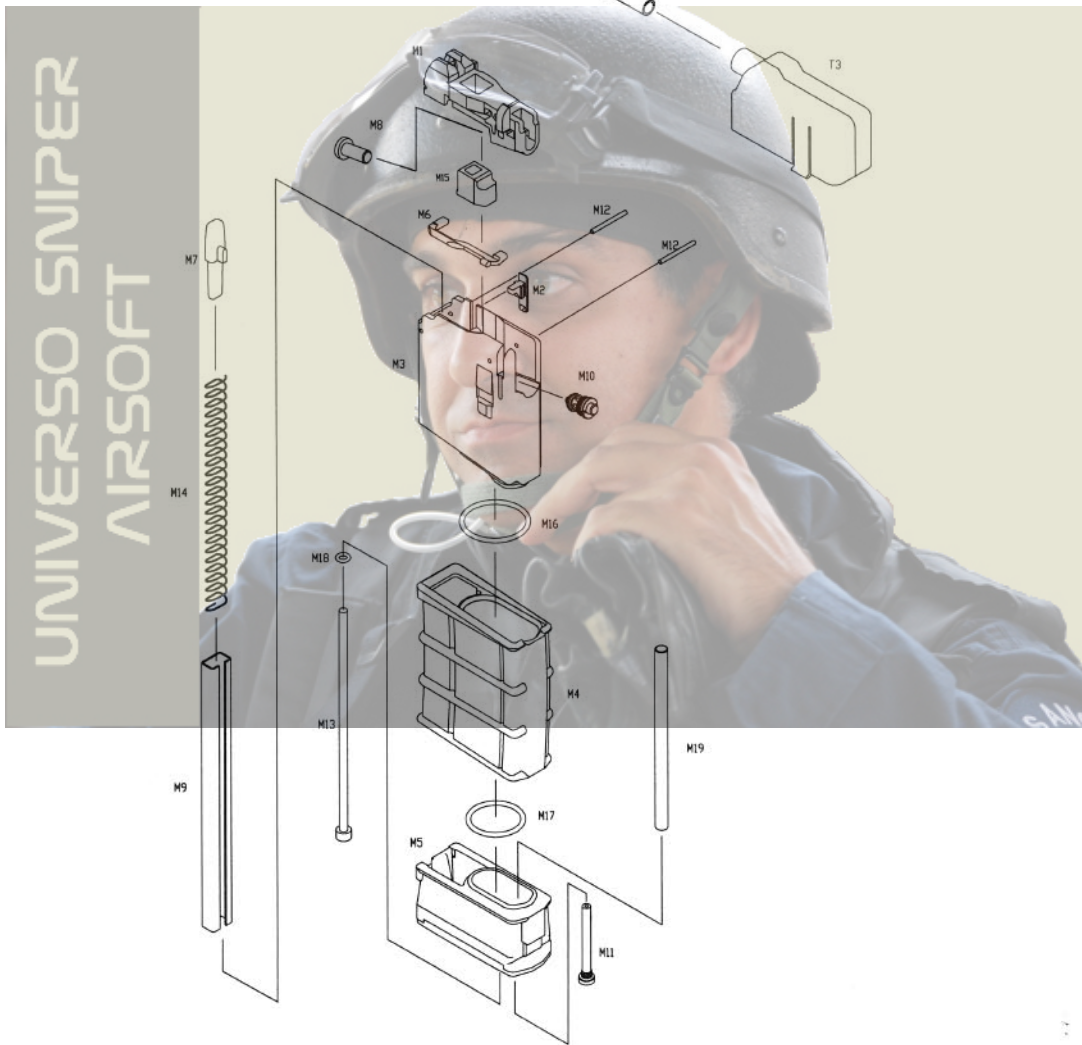
LOWERING FRONT SIGHT WHEN IMPACT POINT IS LOW



~~X~~ ROTATING TO R



MAGAZINE EXPLODED DRAWING

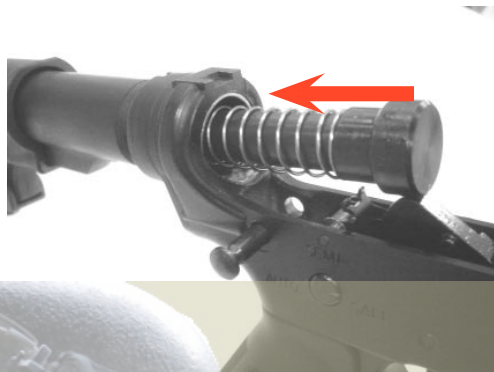


7. PULL CHARGING HANDLE AND BOLT



ASSEMBLY

1. PUT BACK BUFFER AND SPRING



8. PRESS BUFFER RETAINER

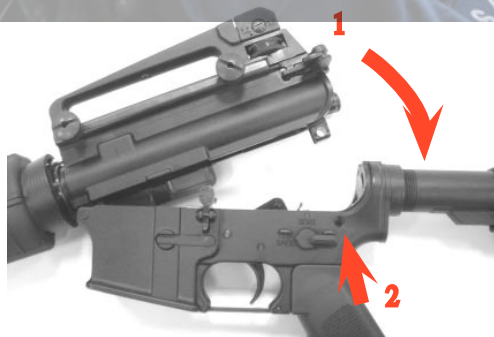


2. PUT CHARGING HANDLE AND BOLT BACK



9. REMOVE BUFFER AND SPRING

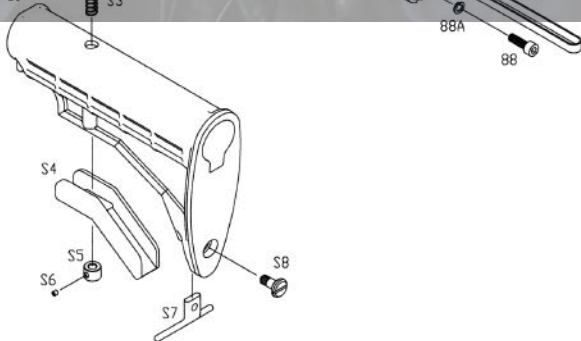
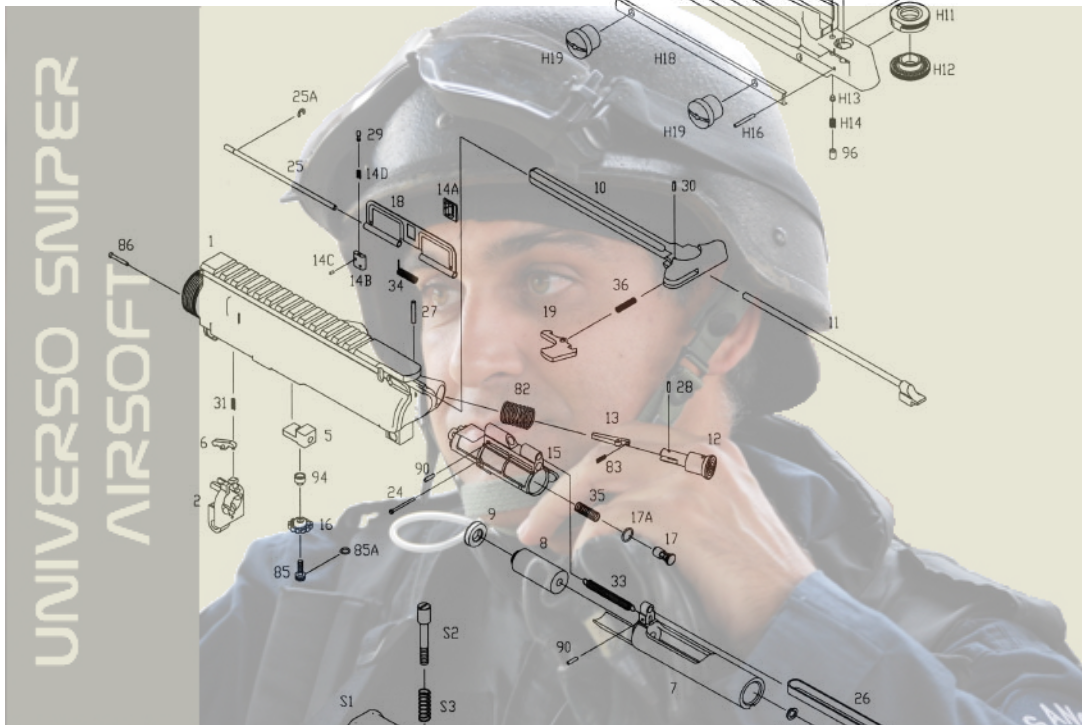
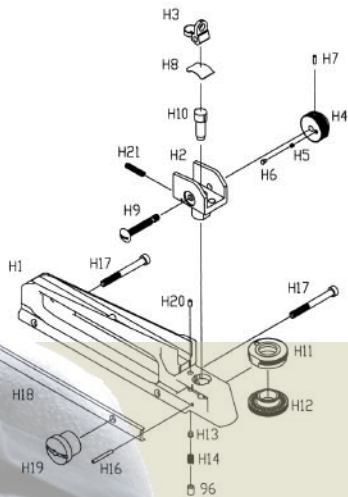
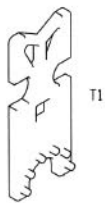
3. CLOSE UPPER RECEIVER AND PUSH BACK TAKEDOWN PIN



UNIVERSAL SNIPER
AIR SOFT



EXPLODED DRAWING



| NO. | NAME OF PART | PRICE | NO. | NAME OF PART | PRICE |
|-----|----------------------------------|-------|-----|--------------------------------|-------|
| 85 | HOP DIAL SCREW | 80 | H13 | ELEVATION KNOB DETENT | 40 |
| 85A | HOP DIAL SCREW O-RING | 20 | H14 | ELEVATION KNOB DETENT SPRING | 20 |
| 86 | FEEDING LAMP SCREW | 20 | H16 | REAR SIGHT BASE PIN | 20 |
| 87 | BUFFER RETAINER SCREW | 20 | H17 | HANDLE SCREW | 80 |
| 88 | BOLT SCREW | 20 | H18 | HANDLE RAIL | 200 |
| 88A | BOLT SCREW WASHER | 20 | H19 | HANDLE NUT | 100 |
| 90 | CYLINDER SPRING PIN | 20 | H20 | ELEVATION KNOB PIN | 20 |
| 92 | GRIP SCREW | 30 | H21 | REAR SIGHT BASE SPRING | 20 |
| 93 | GRIP SCREW WASHER | 20 | S1 | STOCK | 600 |
| 94 | HOP DIAL SPECER | 60 | S2 | STOCK LOCKING PIN | 100 |
| 95 | TAKE DOWN PIN DETENT SCREW | 20 | S3 | STOCK LOCKING PIN SPRING | 30 |
| 96 | TRIGGER GUARD WINDAGE DRUM SCREW | 30 | S4 | RELEASE LEVER | 150 |
| 97 | RECEIVER EXTENSION SCREW | 20 | S5 | STOCK LOCKING NUT | 100 |
| B1 | COMPENSATOR | 480 | S6 | STOCK LOCKING NUT SCREW | 20 |
| B2 | COMPENSATOR SLEEVE | 180 | S7 | STOCK SWIVEL | 200 |
| B3 | COMPENSATOR WASHER | 80 | S8 | STOCK SWIVEL SCREW | 60 |
| B4 | OUTTER BARREL SLEEVE | 480 | M1 | MAGAZINE UPPER COVER | 120 |
| B6 | OUTTER BARREL | 960 | M2 | BLANK MODE LEVER | 80 |
| B7 | HANDGUARD | 240 | M3 | MAGAZINE UPPER BODY | 500 |
| B8 | FRONT SIGHT ASSEMBLY BASE | 400 | M4 | MAGAZINE JOINT BODY | 400 |
| B9 | HELICAL SPRING | 20 | M5 | MAGAZINE UNDER BODY | 500 |
| B10 | FRONT SIGHT DETENT | 50 | M6 | BB FOLLOWER LINK | 120 |
| B11 | FRONT SIGHT | 80 | M7 | FOLLOWER | 80 |
| B12 | FRONT SIGHT ASSEMBLY BASE SCREW | 20 | M8 | VALVE SLEEVE | 80 |
| B13 | TUBULAR RIVET | 30 | M9 | BB GUIDE | 240 |
| B14 | HANDGUARD SLIP RING | 300 | M10 | EX VALVE | 180 |
| B15 | HANDGUARD SLIP RING SPRING | 180 | M11 | CHARGING VALVE | 200 |
| B16 | BARREL NUT | 380 | M12 | MAGAZINE UPPER COVER PIN | 20 |
| B17 | RETAINING RING | 80 | M13 | MAGAZINE JOINT SCREW | 60 |
| B18 | GAS TUBE | 120 | M14 | FOLLOWER SPRING | 80 |
| B19 | HANDGUARD | 200 | M15 | MAGAZINE GASKET | 120 |
| B22 | FRONT SWIEVL | 200 | M16 | MAGAZINE JOINT GASKET O-RING 1 | 30 |
| B23 | FRONT SWIVEL PIN | 20 | M17 | MAGAZINE JOINT GASKET O-RING 2 | 30 |
| H1 | HANDLE | 1200 | M18 | JOINT SCREW GASKET | 20 |
| H2 | REAR SIGHT BASE | 280 | M19 | MAGAZINE TUBE | 80 |
| H3 | REAR SIGHT | 160 | T1 | BARREL NUT WRENCH | 300 |
| H4 | WINDAGE KNOB | 180 | T2 | FRONT SIGHT ADJUSTMENT TOOL | 80 |
| H5 | WINDAGE KNOB DETENT SPRING | 20 | T3 | LOADER | 120 |
| H6 | WINDAGE KNOB DETENT | 40 | T4 | LOADER TUBE | 20 |
| H7 | WINDAGE KNOB SCREW | 30 | T5 | LOADER FUNNEL | 30 |
| H8 | FLAT SPRING | 80 | T6 | LOADER STICK | 60 |
| H9 | WINDAGE KNOB ADJUST SCREW | 100 | | | |
| H10 | REAR SIGHT BASE PART | 60 | | | |
| H11 | ELEVATION INDEX | 160 | | | |
| H12 | ELEVATION KNOB | 200 | | | |

| NO. | NAME OF PART | PRICE | NO. | NAME OF PART | PRICE |
|-----|------------------------------|-------|-----|-------------------------------|-------|
| 1 | UPPER RECEIVER | 2400 | 43 | FIRE CONTROL SLECTOR | 240 |
| 2 | FEEDING LAMP | 250 | 44 | FIRE CONTROL SLECTOR DETENT | 30 |
| 3 | CHAMBER COVER(L) | 180 | 45 | MAGAZINE CATCH | 240 |
| 4 | CHAMBER COVER(R) | 180 | 46 | MAGAZINE CATCH BUTTON | 180 |
| 5 | HOP BASE | 120 | 47 | KNOCKER | 160 |
| 6 | HOP PLATE | 120 | 47A | KNOCKER PART A | 40 |
| 7 | BOLT | 600 | 47B | KNOCKER PART B | 40 |
| 8 | PISTON | 240 | 48 | TRIGGER GUARD | 180 |
| 9 | PISTON RING | 80 | 49 | BUFFER RETAINER | 180 |
| 10 | CHARGING HANDLE | 400 | 50 | RECEIVER EXTENSION | 800 |
| 11 | BOLT GUIDE | 160 | 51 | RECEIVER END PLATE | 210 |
| 12 | FORWARD ASSIST | 180 | 52 | RECEIVER EXTENSION CAP | 240 |
| 13 | FORWARD ASSIST PLATE | 60 | 52A | RECEIVER EXTENSION CAP O-RING | 30 |
| 14A | DUSTBIN COVER BROCK A | 60 | 53 | BUFFER | 360 |
| 14B | DUSTBIN COVER BROCK B | 60 | 54 | BOLT CATCH | 300 |
| 14C | SPRING PIN | 20 | 55 | GRIP | 600 |
| 14D | SPRING | 20 | 56 | VALVE LOCK PLATE | 240 |
| 15 | CYLINDER | 300 | 57 | AUTO SEAR | 240 |
| 16 | HOP DIAL | 60 | 58 | RECEIVER PIVOT PIN | 200 |
| 17 | FLOATING VALVE | 60 | 59 | TAKE DOWN PIN | 200 |
| 17A | FLOATING VALVE O-RING | 20 | 60 | TRIGGER GUARD PIVOT PIN | 30 |
| 18 | EJECTION PORT COVER | 240 | 62 | SEAR PIN | 30 |
| 19 | CHARGING HANDLE LATCH | 100 | 63 | SEAR PIN SLEEVE | 50 |
| 20 | RUBBER CHAMBER | 180 | 64 | BOLT CATCH PIN | 30 |
| 21 | INNER BARREL | 420 | 65 | HAMMER PIN | 30 |
| 22 | CHAMBER RING | 100 | 66 | TRIGGER GUARD PLUNGER | 30 |
| 24 | CYLINDER PIN | 60 | 67 | TAKE DOWN PIN DETENT | 20 |
| 25 | DUSTBIN COVER PIN | 60 | 68 | BUFFER TUBE | 400 |
| 25A | DUSTBIN COVER PIN E-RING | 20 | 69A | TRIGGER PIN | 30 |
| 26 | RETURN BELT | 200 | 69B | TRIGGER PIN TUBE | 30 |
| 27 | FORWARD ASSIST PIN | 30 | 70 | HAMMER SPRING | 60 |
| 28 | FORWARD ASSIST PLATE PIN | 30 | 71 | TRIGGER SPRING | 30 |
| 29 | DUSTBIN COVER STOP PIN | 30 | 72 | AUTO SEAR SPRING | 60 |
| 30 | CHARGING HANDLE LATCH PIN | 30 | 73 | VALVE KNOCKER SPRING | 60 |
| 31 | HOP PLATE SPRING | 30 | 74 | RECOIL SPRING | 200 |
| 33 | CYLINDER SPRING | 60 | 75 | MAGAZINE RELEASE SPRING | 60 |
| 34 | EJECTION PORT COVER SPRING | 30 | 76 | VALVE LOCK PLATE SPRING | 30 |
| 35 | FLOATING VALVE SPRING | 30 | 77 | TAKE DOWN PIN DETENT SPRING | 20 |
| 36 | CHARGING HANDLE LATCH SPRING | 30 | 78 | BUFFER RETAINER SPRING | 20 |
| 37 | LOWER RECEIVER | 2800 | 79 | FIRE SLECTOR SPRING | 20 |
| 38 | VALVE KNOCKER BASE(L) | 180 | 80 | TRIGGER GUARD SPRING | 20 |
| 39 | VALVE KNOCKER BASE(R) | 180 | 81 | DISCONNECTOR SPRING | 20 |
| 40 | HAMMER | 200 | 82 | FORWARD ASSIST SPRING | 30 |
| 41 | TRIGGER | 220 | 83 | FORWARD ASSIST PLATE SPRING | 20 |
| 42 | DISCONNECTOR | 180 | 84 | BOLT CATCH SPRING | 20 |

UNIVERSO SNIPER
AIRSOFT



KJWORKS

Kjworks No.12 Lian-Ming 1st Street,Bade City,Taoyuan county,Taiwan
Tel:03-3749793 Fax:03-3618130 e-mail:kjworks@ms47.hinet.net Website:www.kjworks.com.tw