

SKU: 106-01410

RONIN TACTICAL SERIES

RM4 T10 OPERATION MANUAL

**KWA**  
**Ronin**  
**TACTICAL**  
**SERIES**



# RONIN T10

RM4 TACTICAL 10  
OPERATION MANUAL

**KWA**  
KWA-USA.COM

## USE OF THIS MANUAL

Before operating your KWA product, read this manual in its entirety. Important safety topics and tips are discussed throughout all of the chapters. It's important that the operator know the principles of gun handling, safety, and operation prior to attempting to operate an airsoft product.

## SAFETY GUIDELINES

### Safety Distance

The effective shooting range of this product is approximately 175 feet. BBs fired from this airsoft rifle may travel farther than intended. Make certain that you have an adequate backstop.

### Eye Protection

Eye protection should be worn at all times when either using or conducting maintenance and cleaning on your airsoft product.

### Assume Every Gun is Always Loaded

This is the first rule of gun safety, so don't forget it! Treat every gun as if it were loaded, all the time. Never assume that the chamber is empty based on your memory or someone else's word. Always remove the magazine and visually check to confirm that the chamber is empty, and that there is no power present (battery or gas) in the airsoft product before beginning cleaning or maintenance.

### Beware of Barrel Obstructions

Ensure that the airsoft product's barrel is free of obstructions before you fire the gun. Even the smallest obstruction such as dirt, dust, or a stuck cleaning patch can cause a jam, misfire, or malfunction.

### Muzzle Control

Always keep the muzzle of the gun pointed in a safe direction. Never point the muzzle at a person or object that you do not intend to shoot.

### Keep Your Safety On

ALWAYS keep the muzzle of the gun pointed in a safe direction. NEVER point the muzzle at a person or object that you do not intend to shoot.

### Keep Your Finger Off The Trigger

Keep your finger off of the trigger and out of the trigger guard until your sights are aligned on your target and you are ready to fire.

### Identify Your Target and Backstop

Before you pull the trigger, make certain of your target and what is beyond it. The Airsoft gun should never be fired at surfaces such as rocks, glass, water, or other hard surfaces where BBs are likely to ricochet in unpredictable directions.



### WARNING:

- Airsoft BBs can be a choking hazard. Keep them away from children.
- Failure to follow safety guidelines may result in serious injury.

## SAFETY GUIDELINES (CONTINUED)

### Failure To Fire

If the airsoft gun fails to fire, misfires, or malfunctions, do not look into the gun barrel. BBs may be lodged in the chamber, and serious eye injury may occur if the BBs are expelled suddenly. Remove the battery/gas, and safely attempt to dislodge the obstruction.

### Maintain Your Gun Properly

Performing proper maintenance, as outlined in this manual, ensures that your airsoft gun will be safe to shoot and will perform to its designed specifications for many years. Alterations, modifications or adjustments may damage your airsoft gun, make it unsafe to shoot, and will immediately void all warranty claims with KWA.

### Store Your Gun Safely

Always store the airsoft gun in a safe place, and out of reach of children. Keep the safety engaged, and remove the magazine, and any batteries or gas before storing your product over any extended amount of time.

**NOTE: IT IS YOUR RESPONSIBILITY TO TAKE EVERY REASONABLE PRECAUTION TO ENSURE THE SAFE STORAGE AND TRANSPORTATION OF YOUR AIRSOFT GUN.**

### Orange Tip

The orange tip on Airsoft guns help Law Enforcement distinguish the replica guns from their real firearm counterparts. Altering the coloration or markings required by state or Federal law so as to make the product look more like a firearm is dangerous and may be a crime. Operator assumes all risks and responsibility when doing so.

### Hazards of Being Mistaken for a Real Firearm

Airsoft guns have been mistaken by Police and Law Enforcement as real firearms. A confrontation with law enforcement while carrying an airsoft gun can result in serious injury or even death. It is strongly advised to operate this airsoft product at a safe and legal location. In the event that you are approached by Law Enforcement personnel, you must comply with their instructions immediately to avoid an incident. Always transport any airsoft products in a carrying case and never display them in a public place.

### Alcohol, Medications, and Drugs

Do not handle or operate your airsoft gun while under the influence of alcohol, medication or drugs.

### Your Responsibility

Your KWA product is well-engineered and manufactured to the highest standards. It was carefully inspected before it was packaged and shipped from our factory. Its safe use depends on you alone. You are the ultimate safety device. Like many other devices, your airsoft gun is safe unless handled in an irresponsible or uneducated manner.



### WARNING:

- Adult supervision is required for any person under the age of 18.
- Alterations and/or modifications to your KWA airsoft gun will void all warranty claims.



KWA PERFORMANCE INDUSTRIES, INC.  
18571 E. Gale Ave.  
City of Industry, CA 91748  
(626) 581-1777

---

## WARRANTY

THANK YOU FOR PURCHASING A KWA PERFORMANCE INDUSTRIES, INC. PRODUCT. KWA Performance Industries, Inc. is committed to serving our customers with the finest quality products, the highest level of service, and the best customer satisfaction. Because of this, we offer a 90 day warranty on KWA products sold by us and our KWA Authorized Resellers.

### Warranty Coverage

Except as specified below, this warranty covers all defects in material and workmanship in KWA products that occur during the above warranty period. The following are not covered by the warranty: (1) Any product which is not imported and distributed in the U.S.A. by KWA PERFORMANCE INDUSTRIES, INC. (2) Any products not purchased in the U.S.A. from a KWA AUTHORIZED RESELLER. If you are uncertain as to whether a reseller is a KWA AUTHORIZED RESELLER, please contact KWA PERFORMANCE INDUSTRIES, INC. as listed above or visit our website at [www.kwausa.com](http://www.kwausa.com) to contact us. (3) Damages, deterioration, or malfunction resulting from: a) An accident, act of nature, abuse, misuse, neglect, opening of mechbox, or failure to follow instructions supplied with the product. b) Repair or attempted repair by anyone other than KWA PERFORMANCE INDUSTRIES, INC. (4) Products that are used outside the U.S.A. (5) Products damaged by damaged or incorrect batteries, (6) Products that have been used with low-grade or used ammo (BBs), (7) Products that have been used with non-approved propellants (ie. Propane, Red/Black Gas, 134a... etc.) (6) Products used in industrial, commercial, and/or professional applications. Products used as rental units are considered commercial units and carry no warranty with KWA.

### What KWA Will Pay For

If your KWA product is found to be defective by KWA Performance Industries, Inc. during the applicable warranty period (which begins from the date of original purchase), KWA Performance Industries, Inc. will repair, or at its option, replace with a new, used, or equivalent model, the defective product without charge for parts or labor. Proof of purchase must be present for the warranty to be honored.

## How To Obtain Warranty Service

If your product needs service, it may be taken or shipped to KWA Performance Industries, Inc. The following procedures apply whenever your unit must be transported for warranty service:

- You must go to the RMA Request link at [www.kwausa.com](http://www.kwausa.com) to obtain an RMA number. THE RMA NUMBER MUST BE CLEARLY MARKED ON THE OUTSIDE OF THE PACKAGE. PACKAGES WITHOUT AN RMA NUMBER CLEARLY MARKED WILL BE REFUSED AND RETURNED TO THE SENDER.
- You are responsible for transporting your unit or arranging for its transportation.
- If shipment of your unit is required; you must pay the initial shipping fee, but we will pay the return shipping charge if the repairs are covered by the warranty
- WHEN RETURNING YOUR UNIT FOR WARRANTY SERVICE, A COPY OF THE ORIGINAL SALES RECEIPT MUST BE ATTACHED.
- You must include the following: RMA number, your name, address, daytime telephone number, model and serial number (if applicable) of the product and a description of the problem.



This Warranty is Only Valid in the United States

If your product does not require service, but you have questions regarding its operation, please contact our Customer Service Team at [www.kwausa.com](http://www.kwausa.com).

THIS WARRANTY IS EXPRESSLY MADE IN LIEU OF ALL OTHER WARRANTIES, EXPRESSED OR IMPLIED, INCLUDING WITHOUT LIMITATION, WARRANTIES OF MERCHANTABILITY AND FITNESS FOR A PARTICULAR PURPOSE.

OUR LIABILITY IS LIMITED TO THE REPAIR OR REPLACEMENT, AT OUR OPTION, OF ANY DEFECTIVE PRODUCT AND SHALL IN NO EVENT INCLUDE INCIDENTAL OR CONSEQUENTIAL COMMERCIAL OR PROPERTY DAMAGES OF ANY KIND. WE ARE NOT RESPONSIBLE FOR PRODUCTS LOST, STOLEN AND/OR DAMAGED DURING SHIPPING.

SINCE SOME STATES DO NOT ALLOW LIMITATIONS ON HOW LONG AN IMPLIED WARRANTY LASTS AND/OR DO NOT ALLOW THE EXCLUSION OF INCIDENTAL OR CONSEQUENTIAL DAMAGES, THE ABOVE LIMITATIONS AND EXCLUSIONS MAY NOT APPLY TO YOU.

This warranty gives you specific legal rights, but you may also have other rights which vary from state to state. This warranty may not be altered other than in writing signed by an officer of KWA Performance Industries, Inc.

SKU: 106-01410

**RONIN TACTICAL SERIES**

**RM4 RONIN T10**

## RONIN T10 RIFLE SPECIFICATIONS

Get ready to rain BB's onto your adversaries and feel experience every shot fired with the new KWA Ronin T10. The big brother to the Ronin T6, the Ronin T10 is the next evolution of KWA's patented AEG 3 design. Featuring the Kinetic Feedback System this AEG with electronic recoil will give you that satisfying kick with every shot in semi-auto and a giddy sensation when firing almost 20 rounds per second in automatic mode. KWA's upgraded gearbox will now accept popular electronic trigger groups like the Gate Titan allowing for even more performance upgrades.

Along with major improvements to user ergonomics such as the redesigned PDW stock and MLOK handguard as well as external upgrades like KWA's new SOCOM-style muzzle brake and MS120 mid cap magazine, the T10 makes it return in a compelling package sure to be 10 out of 10 in anyone's 6mm arsenal.



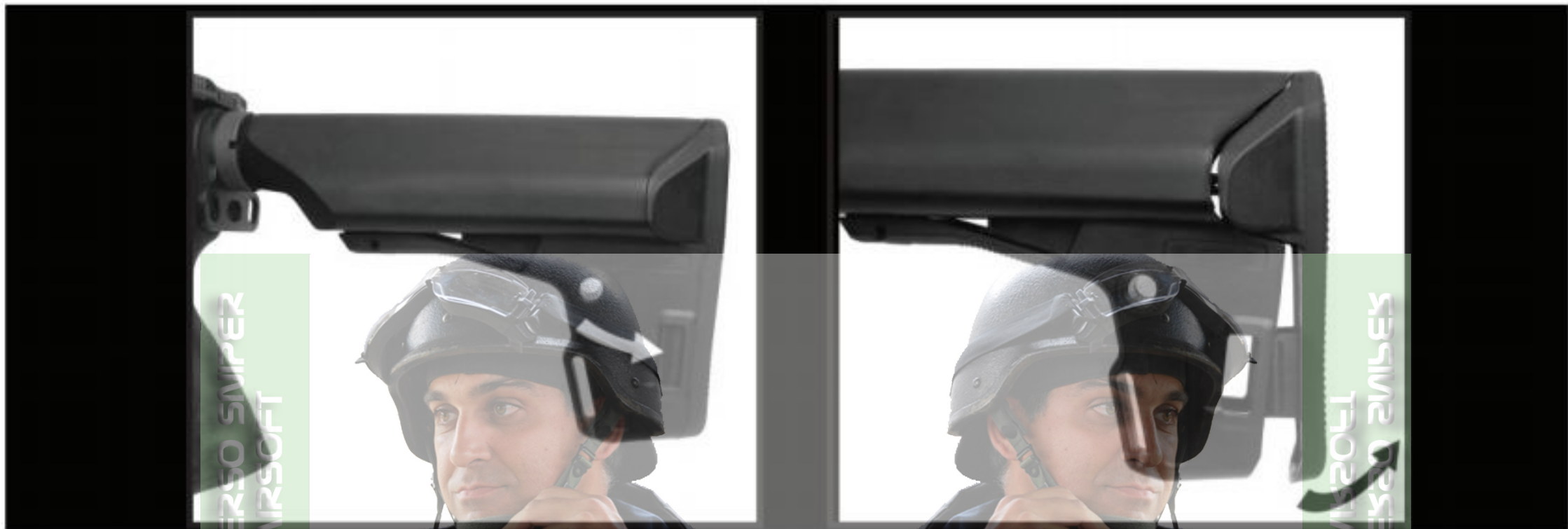
## SPECIFICATIONS

LENGTH (RETRACTED):	29.25"	742.95 MM
LENGTH (EXTENDED):	32"	812.80 MM
HEIGHT:	8"	203 MM
OUTER BARREL LENGTH:	11"	279.40 MM
INNER BARREL LENGTH:	11.75"	298.45 MM
MAGAZINE CAPACITY:	120	
WEIGHT:	6.50 LBS	2.95 KG
RATE OF FIRE:	18+	18+
VELOCITY:	~ 380 FPS MIN ~ 400 FPS MAX,	
POWER SOURCE:	NIMH OR LI-PO/LI-FE	

**KWA**<sup>®</sup>  
KWA-USA.COM

## 1 - THE BASICS

To get your gun up and running, set fire selector to safe mode and keep muzzle pointed away from any person or object. Move the adjustable stock to its shortest, forwardmost position. Press both tabs on the side of the stock, releasing the butt plate. Swing the butt plate upward from the rear as indicated by the black arrow.



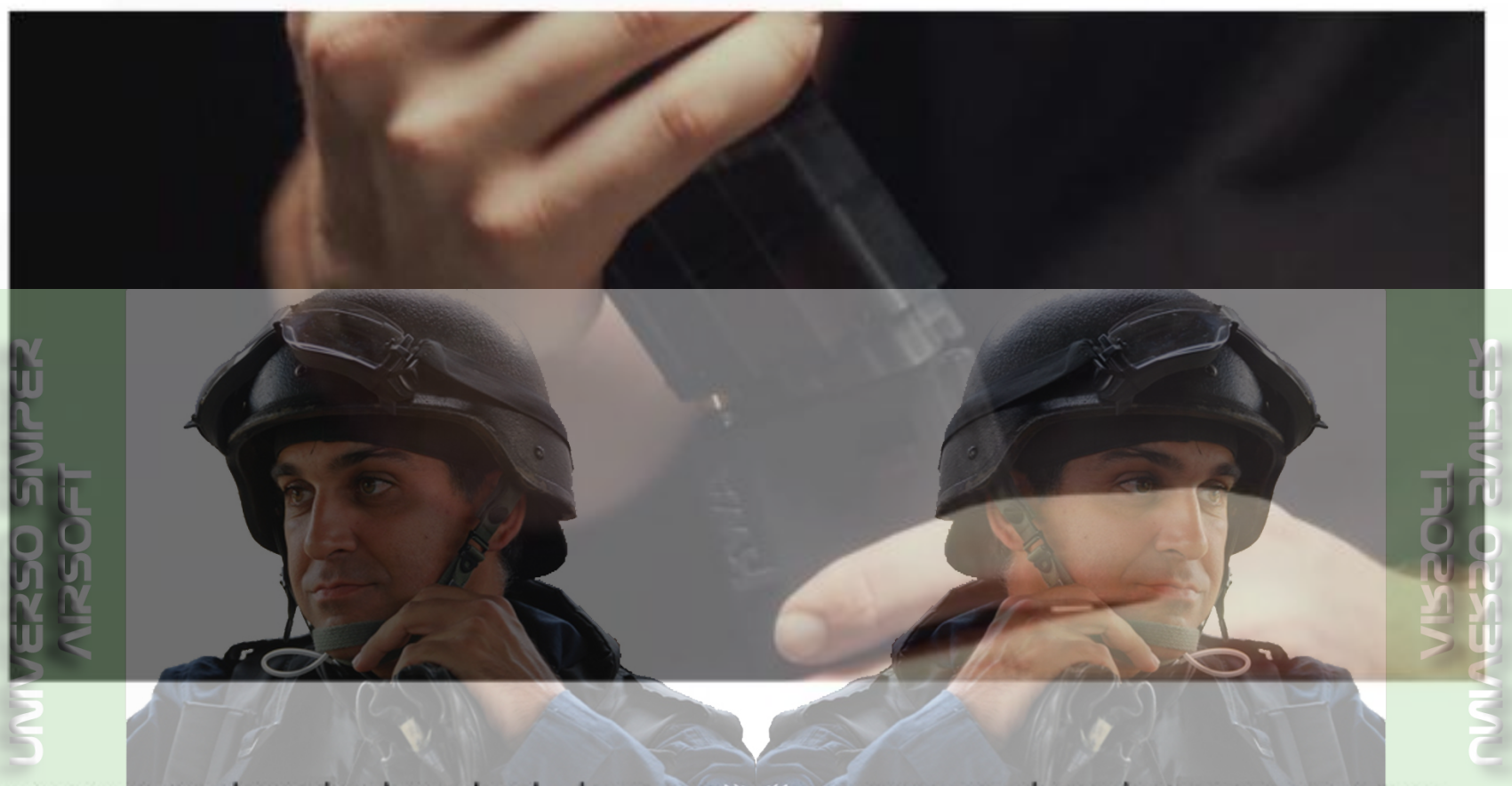
Now that you have access to the stock assembly, remove the Tamiya/Deans plug and fuse. First inspect the fuse looking in the viewing window that the fuse is intact and in good condition. If you see soot or do not see a complete fuse connection - you will need to replace the fuse.



Next, insert your batteries connector into the Tamiya/Deans plug on the gun. If at first the plugs don't go together easily, you may need to adjust your wires' orientation to ensure a proper connection. Forcing the plugs together can cause damage to the wiring preventing the gun from operating. Now insert the battery and wiring and reverse the previous processes.

## 2 - LOADING BB'S

To load bb's use a speed loader to insert bb's through the magazines feed lip. Once you can no longer easily insert bb's stop as the magazine is full. Loading beyond this point can cause damage to you magazine, speed loader, or both. To load bb's use a speed loader to insert bb's through the magazines feed lip. Once you can no longer easily insert bb's stop as the magazine is full. Loading beyond this point can cause damage to you magazine, speed loader, or both.



Now that your magazine is loaded, insert your magazine into your gun - you are now ready to fire!



The selector which can be found on either side of the gun had 3 modes, safe, semi, and full auto. On safe, an internal mechanism will prevent the gun from firing. On semi, only one bb's will be shot out per trigger pull. On full auto, bb's will continue to be shot until the trigger is released. Once done firing always put the gun on safe.



### 3 - AEG 3 GUIDE

If the airsoft gun fails to fire, misfires, or malfunctions, do not look into the gun barrel. BBs may be lodged in the chamber, and serious eye injury may occur if the BBs are expelled suddenly. Remove the battery/gas, and safely attempt to dislodge the obstruction.

1. Set fire selector to safe mode and keep muzzle pointed away from any person or object.
2. Move adjustable stock to its shortest, forwardmost position.
3. Press both tabs on the side of the stock, releasing the butt plate.
4. Swing the butt plate upward from the rear as indicated by the black arrow.
5. Insert battery into stock, then push Tamiya battery connectors firmly together.



FOR THE BEST PERFORMANCE, KWA RECOMMENDS THE USE OF AN 11.1V LI-PO BATTERY, WITH A MAXIMUM RATING OF 1600 MAH, AND A DISCHARGE RATE OF AROUND 20C!

6. Reinstall the butt plate. To avoid losing the plate, make sure the lower section snaps into place!
7. Readjust the retractable stock to desired position

#### FUSE CHECK/REPLACEMENT

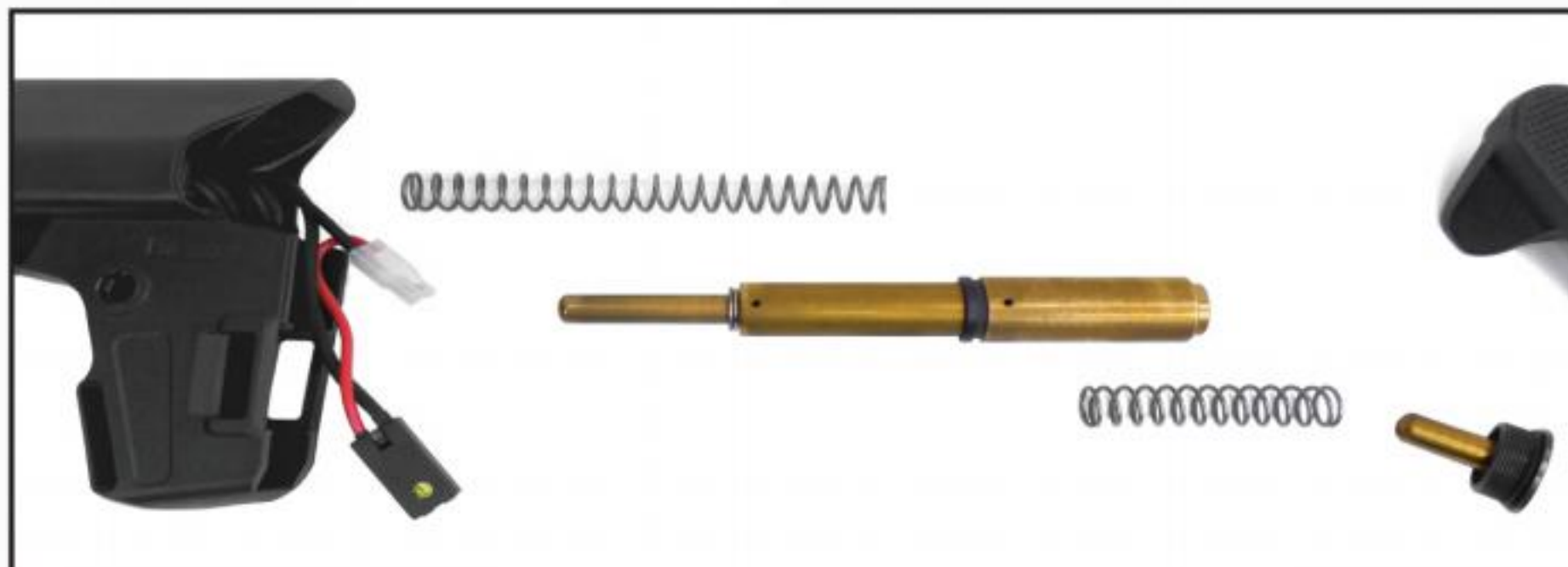
To check and replace your fuse, first press the release tab on the black polymer case. If the connecting metal piece in the middle of the fuse is broken, replace the fuse with an ATM-type (also called mini-blade) fuse rated at either 20 or 25 Amps. ATC fuses are too large and will not fit.



### 3 - AEG 3 GUIDE - QUICK CHANGE SPRING SYSTEM

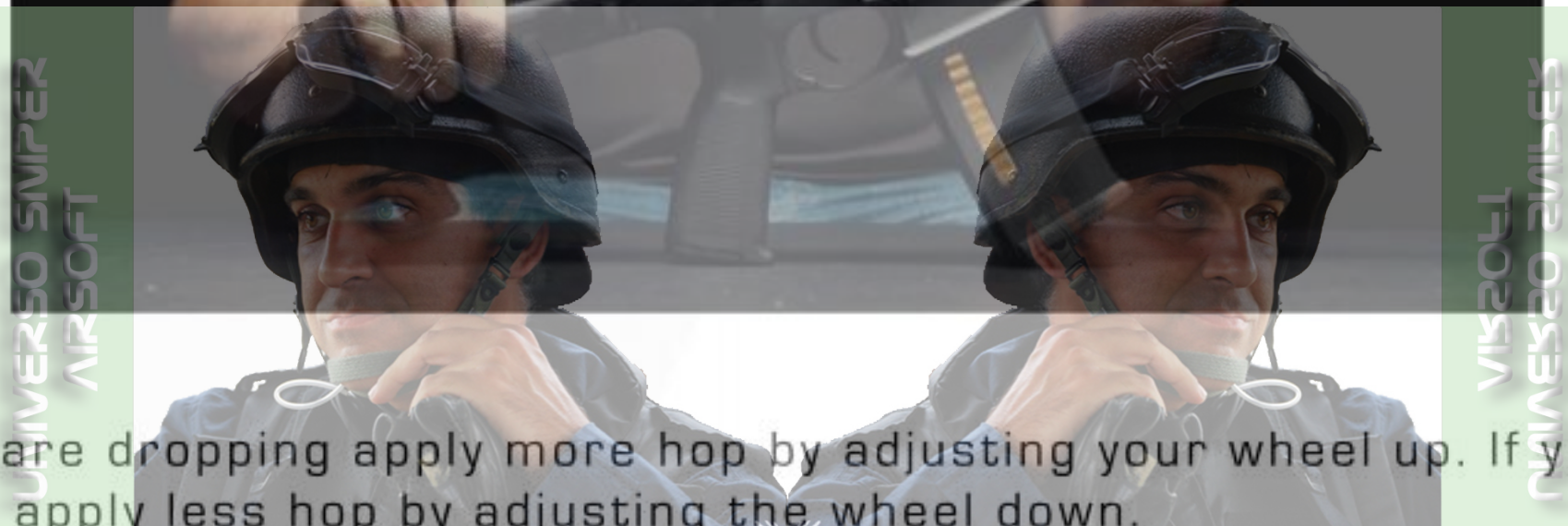
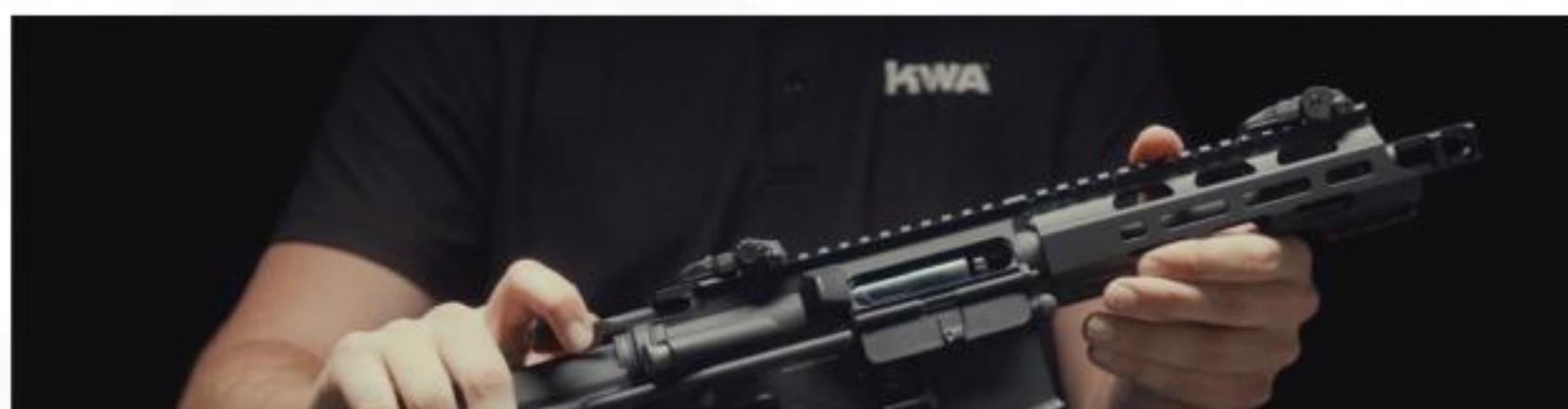
1. Make sure that you are wearing proper eye protection for this procedure, as the KFS is heavy and spring loaded, and will pop out when the KFS retention piece (part 359S on the TK.45 parts diagram) is removed!
2. Remove your stock's butt plate to access the KFS retention piece (part) on the end of your buffer tube.
3. As seen in the first photo, loosen the KFS retention place using the four holes. The most common practice is to use needle-nose pliers inserted into two opposing holes. Twist counter-clockwise to remove the piece. Do not tamper with the Phillips-head screw in the center or the piece. **USE CAUTION, THIS PIECE IS SPRING LOADED.**
4. After removing the retention piece, the recoil spring will fall out, followed by the KFS, and then the main spring.
5. Replace the main spring with the desired spring (KWA recommends using a main spring rated at no more than M130, and no lower than an M110).
6. Reinsert the KFS, recoil spring, and finally the retention piece, screwing it back into place by turning it clockwise.

Reassembly tip: Although you should NOT use the center Phillips head screw on the KFS retention plate to attempt to remove the piece, you CAN use a Phillips head screwdriver when reattaching the piece at the end of assembly, since there is no danger of dismantling the assembly 602S by turning the screw clockwise. This is easier than using needle-nose pliers for reassembly, although the pliers should be used to tighten the piece into place after it is screwed in.



## 4 - HOP-UP ADJUSTMENT

To adjust your hop up first pull you're charging handle to expose your hop up unit. Now engage your bolt catch to keep the dust cover open. Now test fire your gun in a safe direction and observe your flight path.



If your bb's are dropping apply more hop by adjusting your wheel up. If your bb's go straight up, apply less hop by adjusting the wheel down.



Once you have a flat trajectory you can stop adjusting and hit the bolt catch to release your mock bolt plate.

## 5 - DISASSEMBLING THE GUN

To disassemble the gun for maintenance, first ensure no magazine or battery are in the gun. Then push out the front body pin ensuring it is not blocking the upper receiver and close the dust cover. Next pull the charging handle and simultaneously apply gentle forward pressure to remove your upper receiver – paying careful attention not to knock the mock bolt plate.



Once the upper is off gently remove your inner barrel and inner barrel spring. To clean the inner barrel first turn your hop up all the way off, then use an un-jamming rod with a piece of cloth to clean your bore. Repeat this process until you see no more residue coming off the barrel.



Now that this is done reinsert your barrel back into your upper, and slide back onto the lower receiver. Pay close attention to not damage the mock bolt plate in the process. While sliding your receiver on the lower your bolt catch may interfere. If it does, simply push on the bottom half to move it out of the way. If your receiver does not completely go back into the lower, you may need to pinch the upper to get it in.

## 6 - TROUBLESHOOTING

If your gun is not shooting, first check to make sure your gun is off safe and in either semi or full auto. If it is in a firing position check your battery to make sure it has a secure connection. Inspect both connectors to make sure the wires are completely seated within the plug and that there is no damage to either unit. Additionally you can also try using another battery to confirm.



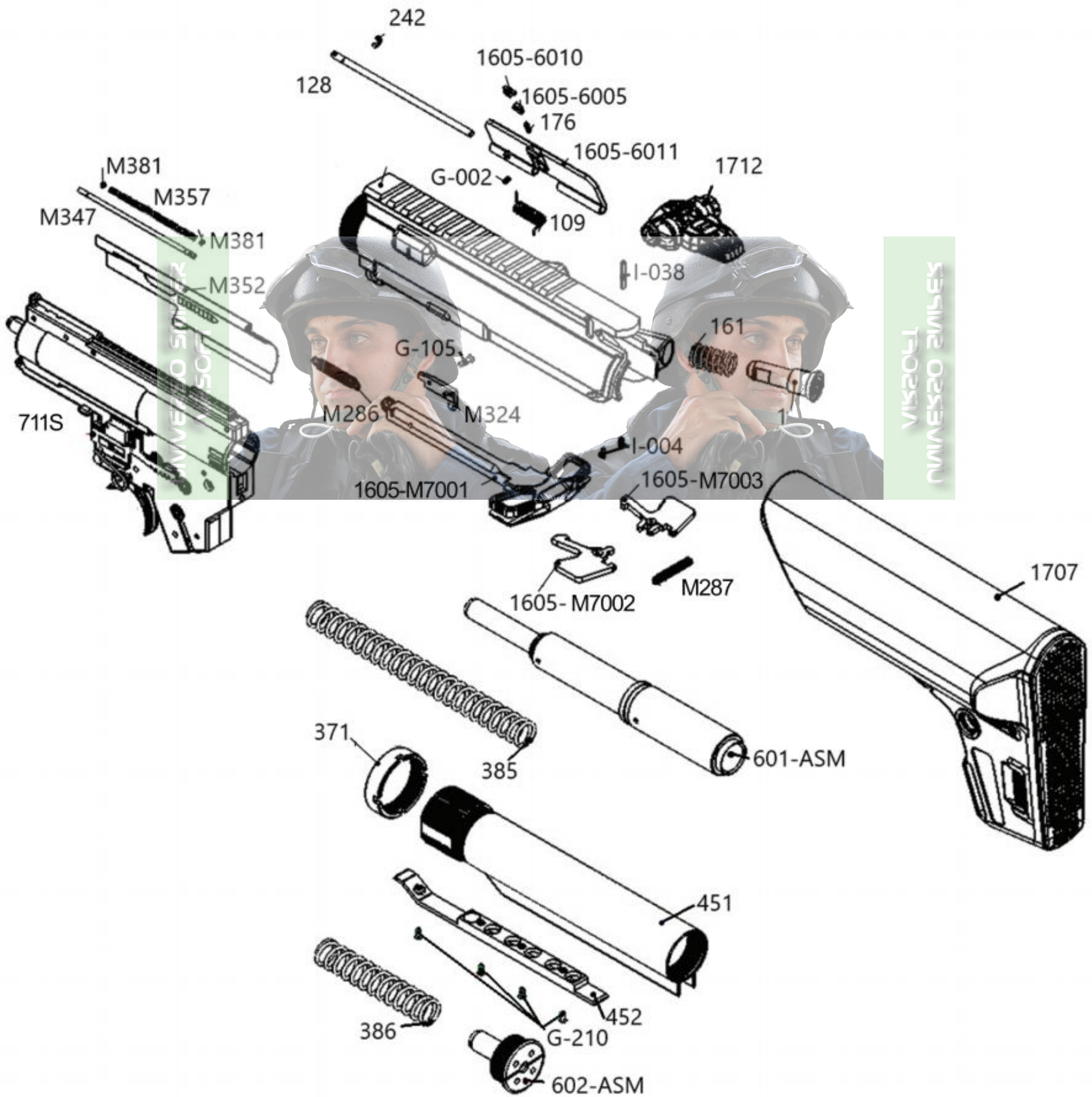
If this does not solve the issue, you may also want to inspect the wires farther down in the stock to ensure they have a complete connection as well.

If issues still persist, contact KWA support for further instructions and RMA repair.



If your motor or battery is excessively hot after use, you may have a pinched wire and it is recommended to contact KWA customer support for additional assistance and RMA. If your guns hop up seems to be ineffective, please note that our guns to have a break in period of around 1000 rounds. If your hop up is still ineffective after this period contact KWA support for additional assistance.

7 - PARTS DIAGRAM PAGE 1



VISION T10215

8 - PARTS DIAGRAM PAGE 2

