

KWA®

OPERATOR'S MANUAL



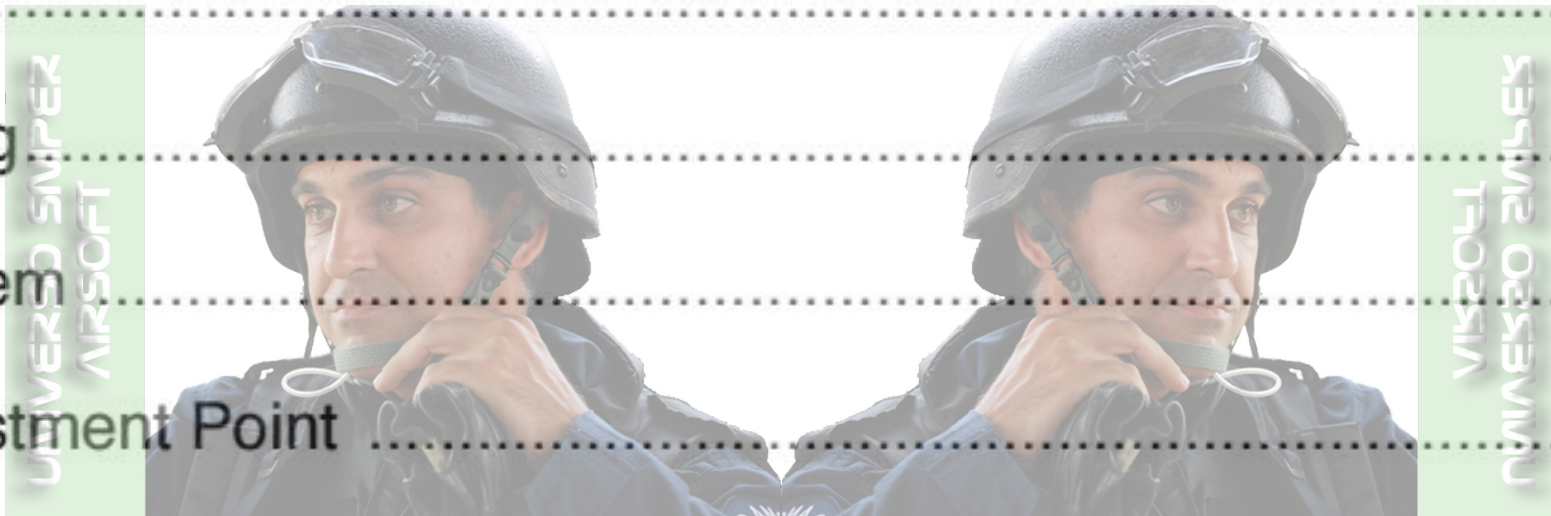
UNIVERSO SNIPER
AIRSOFT

UNIVERSO

M9 PTP SERIES

TABLE OF CONTENTS

Use of this manual.....	2
Safety Guidelines	2-3
Specifications & Package Contents	4-5
Charging Gas	6
Loading BBs	7
Loading Magazine	8
Loading Chamber	8
Shooting	8
Shooting Modes.....	9
Open Slide	9
After Shooting.....	9
Hop-Up System.....	10
Hop-Up Adjustment Point	10
Disassembly	11
Assembly.....	11
General Maintenance	12
Operating Under Unusual Conditions.....	12
Troubleshooting	13
Diagrams and Parts Lists	14-18



USE OF THIS MANUAL

Before operating the Airsoft gun, read this manual in its entirety. Important safety topics and tips are discussed throughout all of the chapters. It's important that the operator know the principles of gun handling safety and operation prior to firing the Airsoft gun.

SAFETY GUIDELINES



WARNING! Failure to follow safety guidelines may result in serious injury.

Safety Distance

The effective shooting range is approximately 75 feet. BBs fired from this Airsoft gun may travel further than intended. Make certain that you have an adequate backstop.

Eye Protection

Eye protection should be worn at all times when both shooting and maintaining your Airsoft gun. Protect your eyes from silicone spray and BBs under spring pressure while performing maintenance on your Airsoft gun.

Assume Every Gun is Always Loaded

Until you are certain the chamber is empty, treat every gun as if it were loaded. Do not assume the chamber is empty based on your memory or someone else's words. Always remove the magazine and visually check to confirm the chamber is empty.

Beware of Barrel Obstructions

Ensure the Airsoft gun barrel is free of obstructions before you fire the gun. Even the smallest obstruction such as lubrication or a stuck cleaning patch can cause a misfire or malfunction.

Muzzle Control

Always keep the muzzle of the gun pointed in a safe direction. Never point the muzzle at a person or object that you do not intend to shoot.

Keep Your Safety On

Keep the gun's safety on until your sights are aligned on your target and you are ready to fire.

Keep Your Finger Off The Trigger

Keep your finger off the trigger and out of the trigger guard until your sights are aligned on your target and you are ready to fire.



WARNING! Airsoft BBs can be a choking hazard. Keep them away from children.

SAFETY GUIDELINES

Identify Your Target and Backstop

Before you pull the trigger, make certain of your target and what is beyond it. The Airsoft gun should never be fired at surfaces such as rocks, glass, water, or other hard surfaces where BBs are likely to ricochet in unpredictable directions.



WARNING! Adult supervision is required for any person under the age of 18.

Failure To Fire

If the Airsoft gun fails to fire, misfires, or malfunctions, do not look into the gun barrel. BBs can become lodged into the chamber, and serious eye injury may occur.

Maintain Your Gun Properly

Performing proper maintenance, as outlined in this manual, ensures that your Airsoft gun will be safe to shoot and will perform to its designed specifications for many years. Alterations, modifications or adjustments may damage your Airsoft gun, make it unsafe to shoot, and will void all warranty claims.

Store Your Gun Safely

Always store the Airsoft gun in a safe place, and out of the reach of children. Always transport the Airsoft gun in a carrying case. Never display the Airsoft gun in a public place. Keep the safety engaged, and remove the magazine before storing the Airsoft gun. Note: it is your responsibility to take every reasonable precaution to ensure the safe storage and transportation of your Airsoft gun.

Orange Tip

The orange tip on Airsoft guns helps Law Enforcement distinguish between the replica guns from their real firearm counterparts. Altering the coloration or markings required by state or Federal law so as to make the product look more like a firearm is dangerous and may be a crime. Operator assumes all risks and responsibility when doing so.

Hazards of Being Mistaken for a Real Firearm

Airsoft guns have been mistaken by Police and Law Enforcement as real firearms. A confrontation with law enforcement while carrying an Airsoft gun can result in serious injury or even death. It is strongly advised to operate the Airsoft gun at a safe and legal location. In the event that you are approached by Law Enforcement personnel, you must comply with their instructions immediately to avoid an incident.

Alcohol, Medications, and Drugs

Do not handle or operate your Airsoft gun while under the influence of alcohol, medication or drugs.

Your Responsibility

Your Airsoft gun is well-engineered and manufactured to the highest standards. It was carefully inspected before it was packaged and shipped from our factory. Its safe use depends on you alone. You are the ultimate safety device. Like many other devices, your Airsoft gun is safe unless handled in an irresponsible or uneducated manner.

SPECIFICATIONS

M9 PTP

- Overall Length = 21.6 cm [8.5"]
- Overall Height = 14.3 cm [5.63"]
- Inner Barrel Length = 107 mm
- Inner Barrel Diameter = 6.05 mm
- Weight = 1.06 kg [2.34 lbs]
- Caliber = 6 mm
- Magazine Capacity = 24 [32] rounds
- Velocity = 104-107 MPS [340-350 FPS]
- Energy Output with 0.20g BB = 1.07 Joules
- Gas System = NS2
- Propellant = Green Gas

Special Features:

- Realistic construction and field stripping
- Rear slide serrations
- Ambidextrous decocking / safety lever
- Adjustable hop-up

*Individual test results may vary depending on brand of BBs, ambient temperature, and chronograph used.

PACKAGE CONTENTS

- 1 M9 PTP
- 1 Operator's Manual
- 1 Bottle of Silicon Oil
- 1 Sample Bag of BBs
- 1 Hop-Up Adjustment Tool



SPECIFICATIONS

M9 TACTICAL PTP

- Overall Length = 21.6 cm [8.5"]
- Overall Height = 14.3 cm [5.63"]
- Inner Barrel Length = 107 mm
- Inner Barrel Diameter = 6.05 mm
- Weight = 1.06 kg [2.34 lbs]
- Caliber = 6 mm
- Magazine Capacity = 24 [32] rounds
- Velocity = 104-107 MPS [340-350 FPS]
- Energy Output with 0.20g BB = 1.07 Joules
- Gas System = NS2
- Propellant = Green Gas

Special Features:

- Realistic construction and field stripping
- Ambidextrous decocking / safety lever
- Rear slide serrations
- Accessory rail
- Adjustable hop-up

*Individual test results may vary depending on brand of BBs, ambient temperature, and chronograph used.

PACKAGE CONTENTS

- 1 M9 PTP Tactical
- 1 Operator's Manual
- 1 Bottle of Silicon Oil
- 1 Sample Bag of BBs
- 1 Hop-Up Adjustment Tool



CHARGING GAS

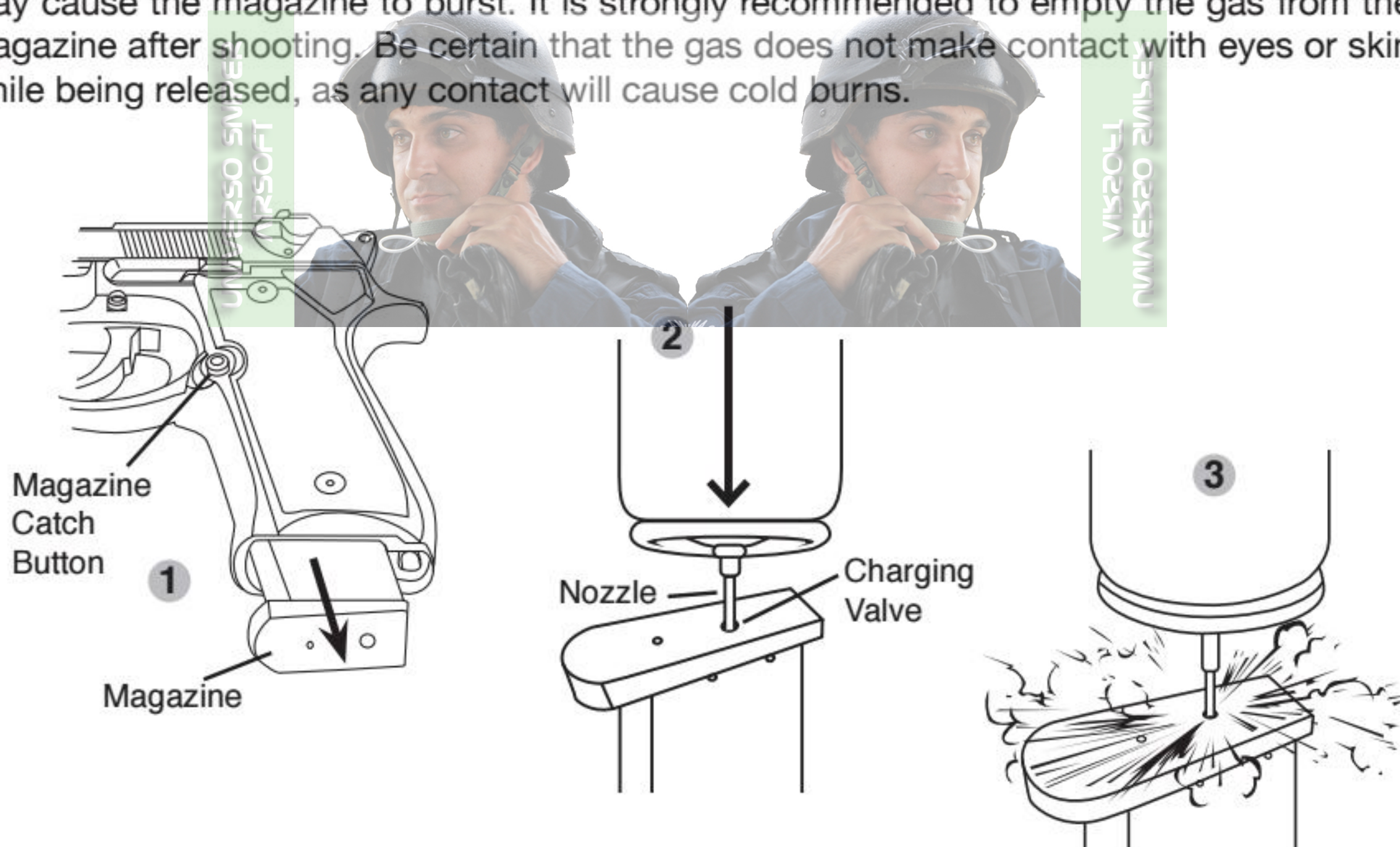
1. Release the magazine by pressing the magazine catch button.
2. Push the gas canister nozzle into the charging valve. (Make sure both the canister and magazine are inverted and in the vertical position when charging.)
3. Charge the magazine until gas overflows from the charging valve.



WARNING: Avoid dropping the magazine. Sudden impact with a hard surface may cause damage to the magazine.

Note: It is normal to have minor leaking from the charging valve during charging due to high pressure built up inside the magazine. It is recommended to keep the gas release valve slightly oiled. Room temperature is the ideal temperature for shooting. You may experience a delayed action if the surrounding temperature drops below 68° F.

Note: Do not expose the magazine to direct sunlight or incinerate the magazine, as this may cause the magazine to burst. It is strongly recommended to empty the gas from the magazine after shooting. Be certain that the gas does not make contact with eyes or skin while being released, as any contact will cause cold burns.



Green Gas safety tips:

- Check the canister for any cracks or leaks before using.
- Do not expose the canister to temperature over 104° F.
- Do not leave the canister directly over fire.
- Do not heat the canister.
- Keep the canister away from direct sunlight.
- Do not leave the canister in any type of vehicle.

LOADING BBs

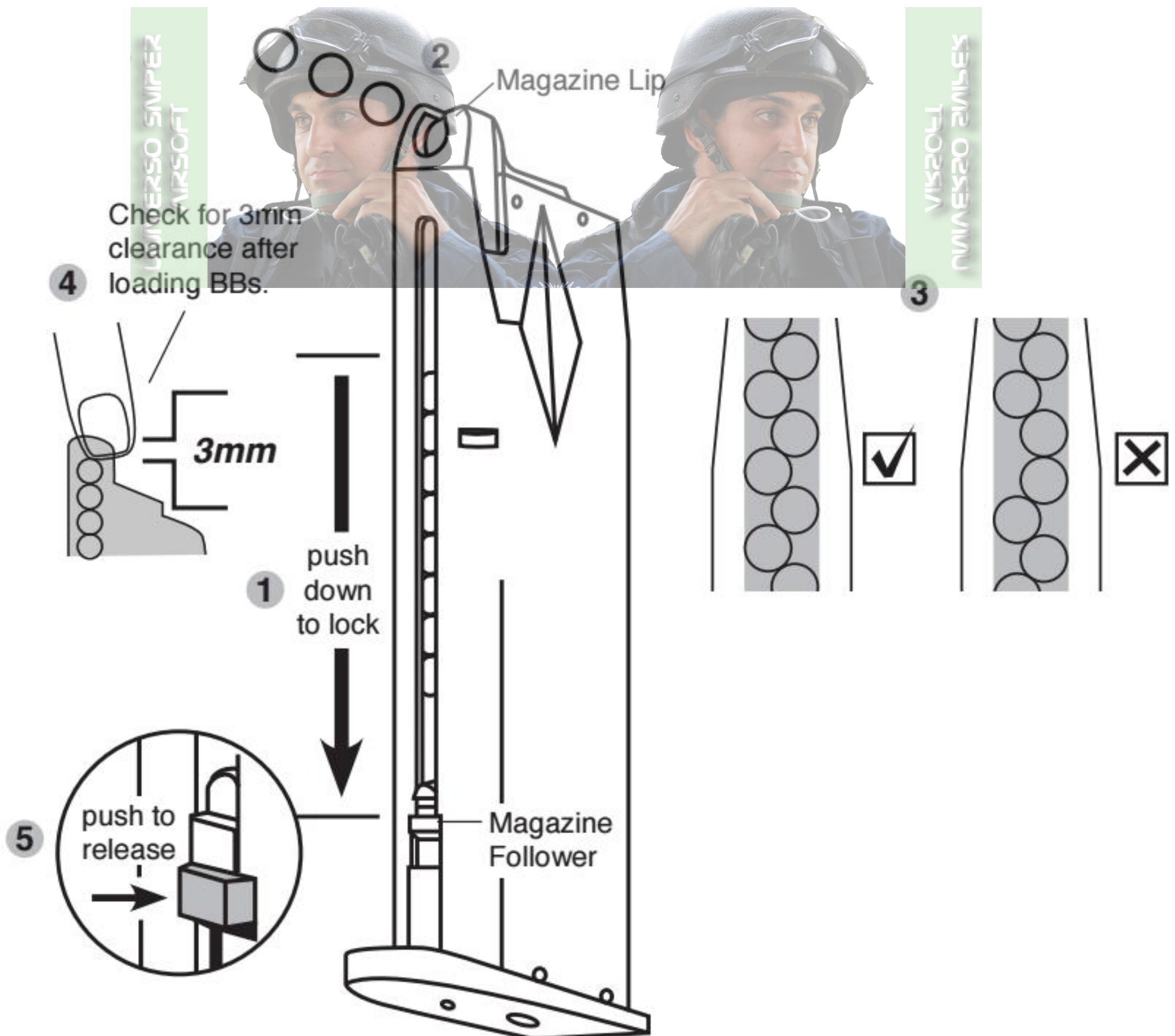
1. Pull the magazine follower down until it locks.
2. Insert BBs into the magazine lip.
3. Make sure to have a 3mm clearance between BBs and the top lip of the magazine.
4. Push the magazine follower lock to release.



WARNING: Always use high quality 6mm BBs, weighing 0.2g or heavier. For best result use 0.25g KWA Perfect BBs. Never use recycled or low grade BBs to prevent damage to your gun.

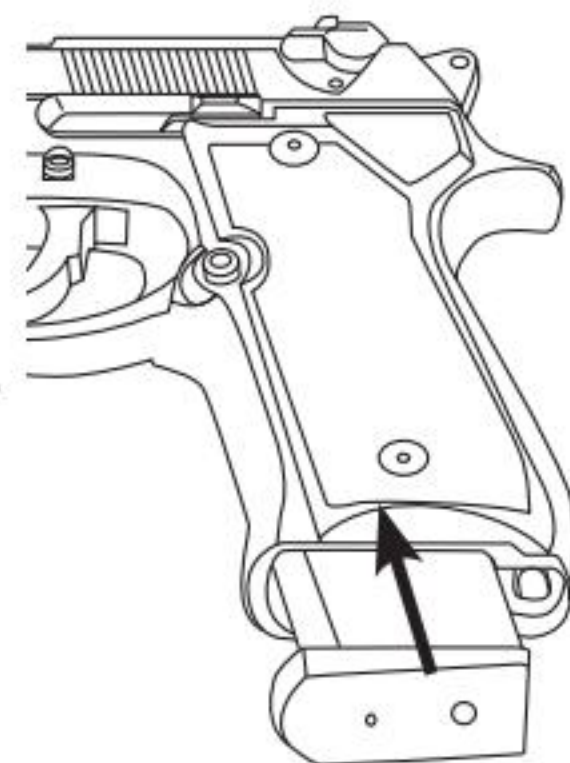


WARNING: Do not release the magazine follower when the magazine is empty. Doing so will damage the magazine and magazine follower.



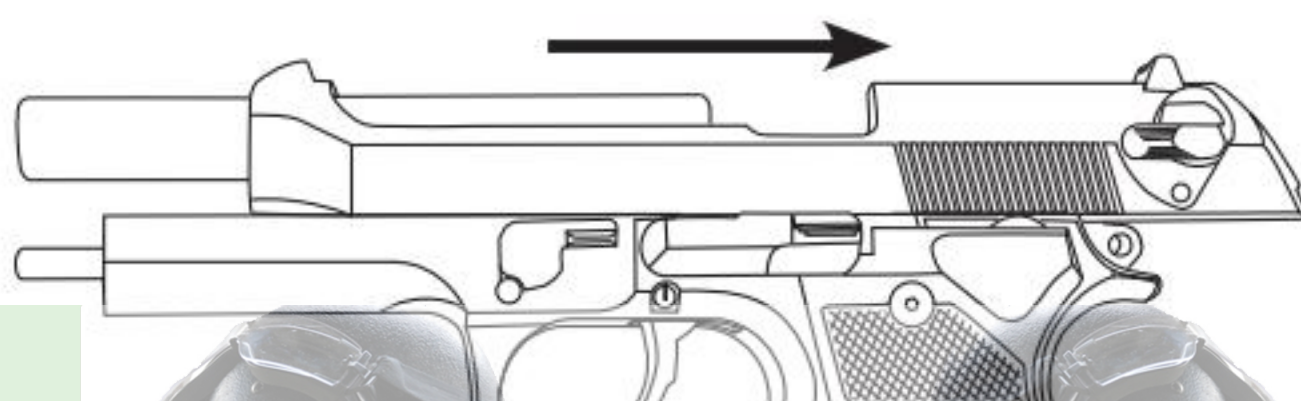
LOADING MAGAZINE

1. Place the magazine back into the magazine well.
2. Push the magazine up until it clicks into a locked position.
3. Pull the magazine down to assure that it has been locked in place.



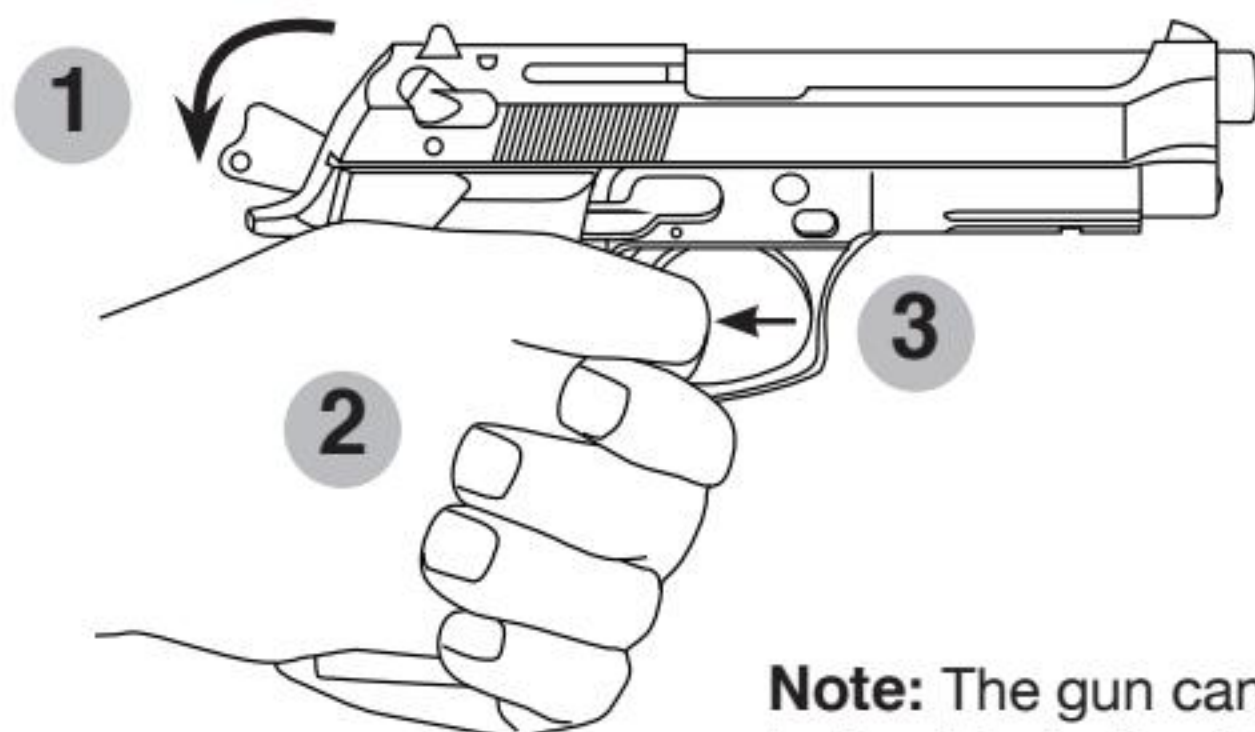
LOADING CHAMBER

Pull the slide to the rear-most position and release the slide. This will automatically load the BBs into the chamber. The hammer will be in a cocked position. Make sure not to skip this procedure. Skipping this step will cause a misfire on the first squeeze of the trigger. The slide will lock open when the last BB is fired and ejected.



SHOOTING

1. Make sure the gun is loaded.
2. Grasp the Airsoft gun in your hand firmly. A two-hand hold with one hand wrapped around the other will help control the Airsoft gun.
3. Release safety and squeeze the trigger. The blow back action will load the following BBs automatically as the slide cycles back and forth.



Note: The gun can still be fired with the hammer decocked in Double Action Mode.



WARNING: Never shoot the gun in a horizontal or upside-down position.

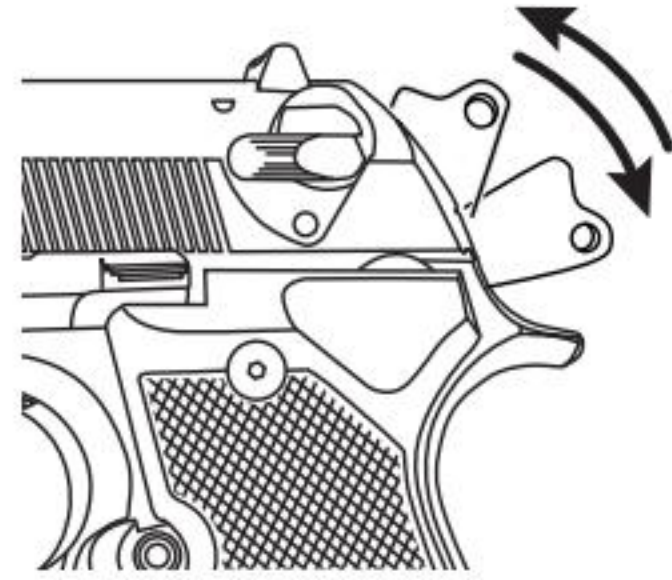


WARNING: Do not fire the pistol without a magazine inserted. Doing so may damage the impact block and result in the loss of the impact pin.

SHOOTING MODES

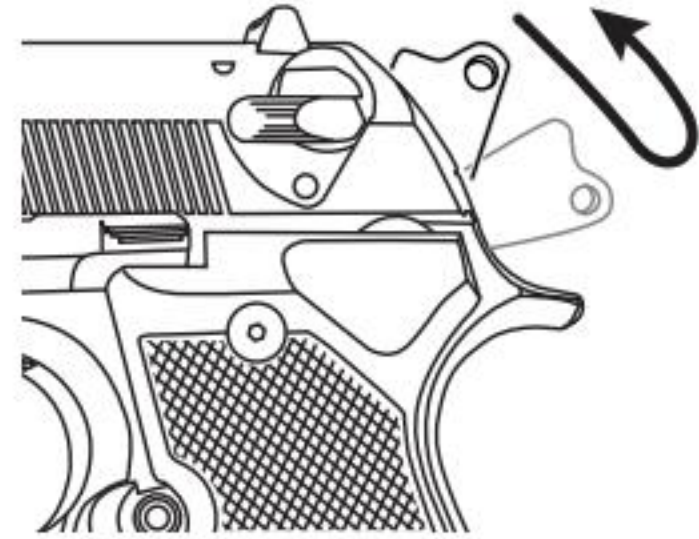
Single Action Mode

For Single Action mode, simply pull back the slide and quickly release it to chamber the first BB, then pull the trigger to fire.



Double Action Mode

For Double Action mode, de-cock the hammer, then fire with the hammer in “at rest (forward)” position.



OPEN SLIDE

The slide will lock open after the last BB has been fired and ejected. Remove the empty magazine and replace it with a loaded magazine, then release the slide stop. The first BB will be automatically loaded into the chamber.

Note: It is important to treat your gun as if it were loaded even when the slide is open.

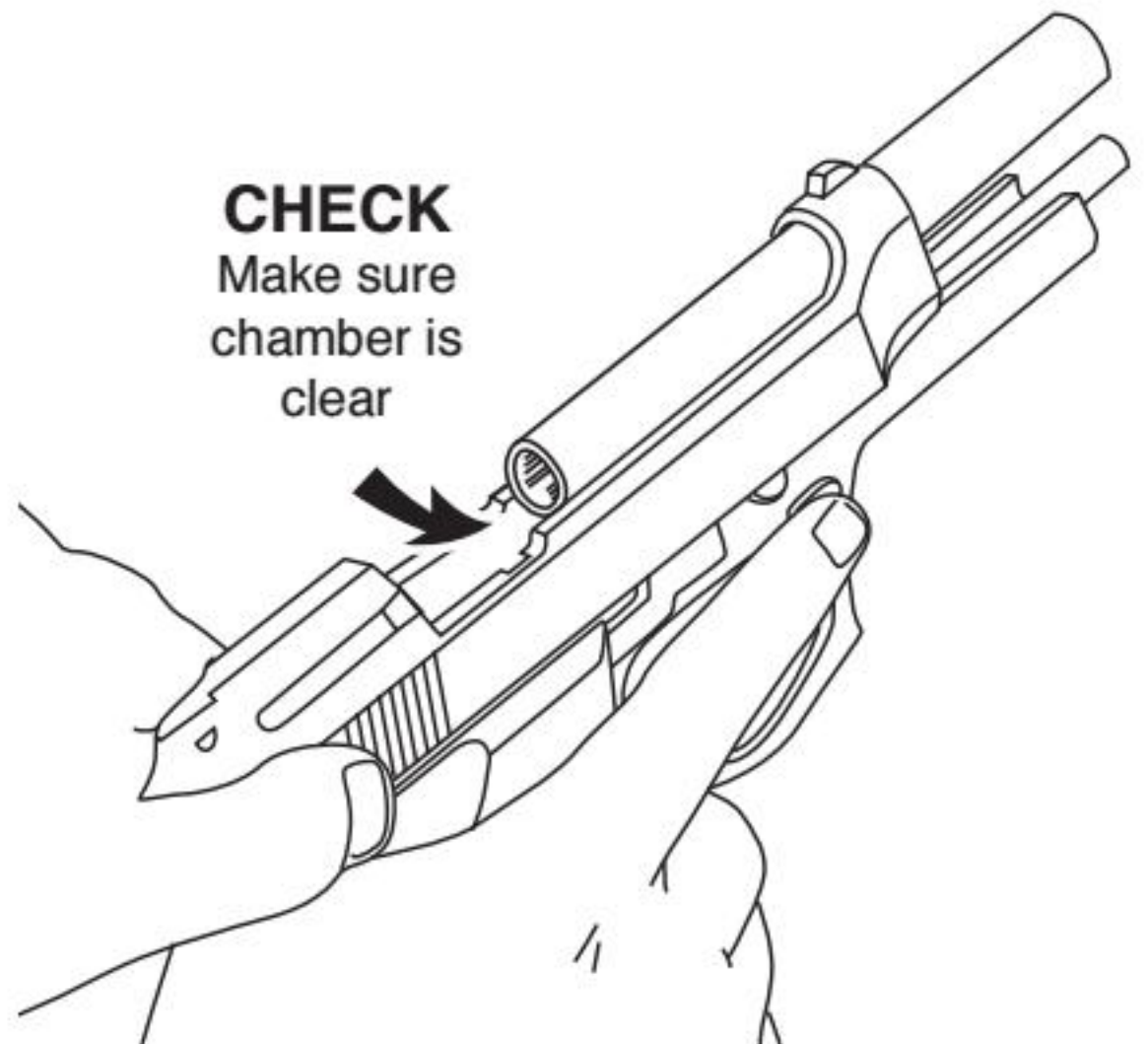


AFTER SHOOTING

After you are finished shooting, remove the magazine and visually examine the open chamber to check for clearance. Make sure both the magazine and the chamber are clear, **then engage the safety lever.**

CHECK

Make sure chamber is clear



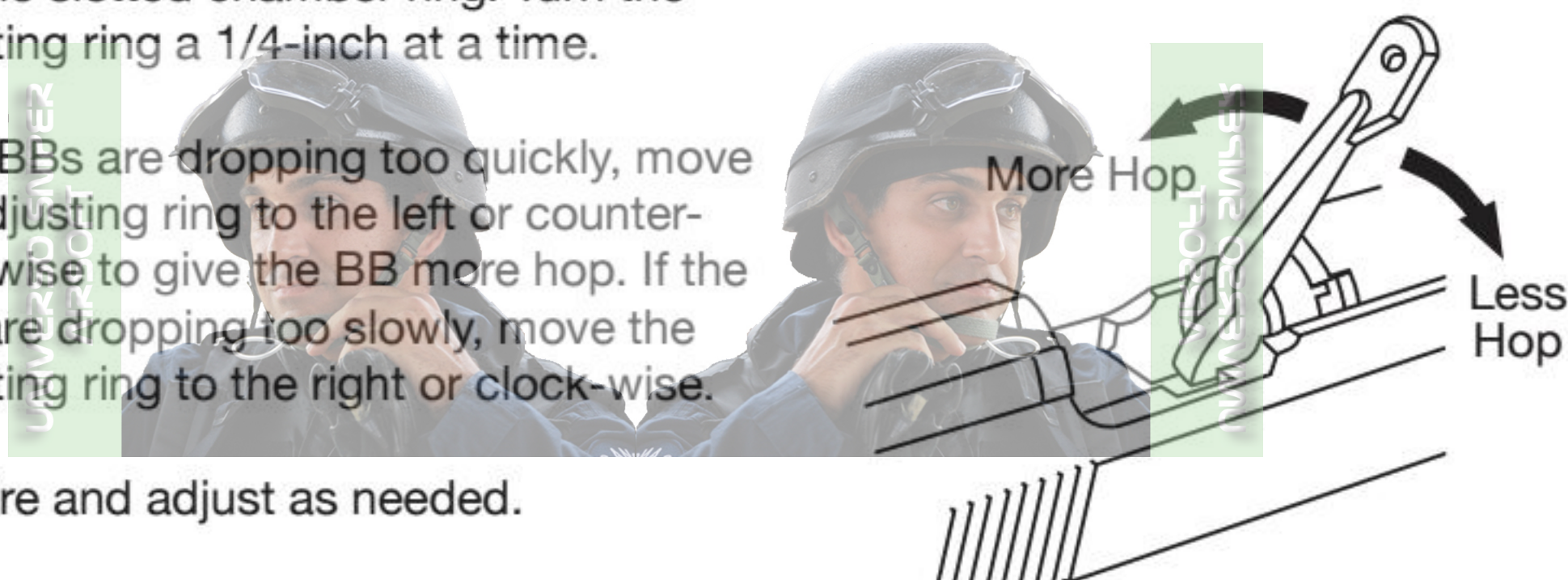
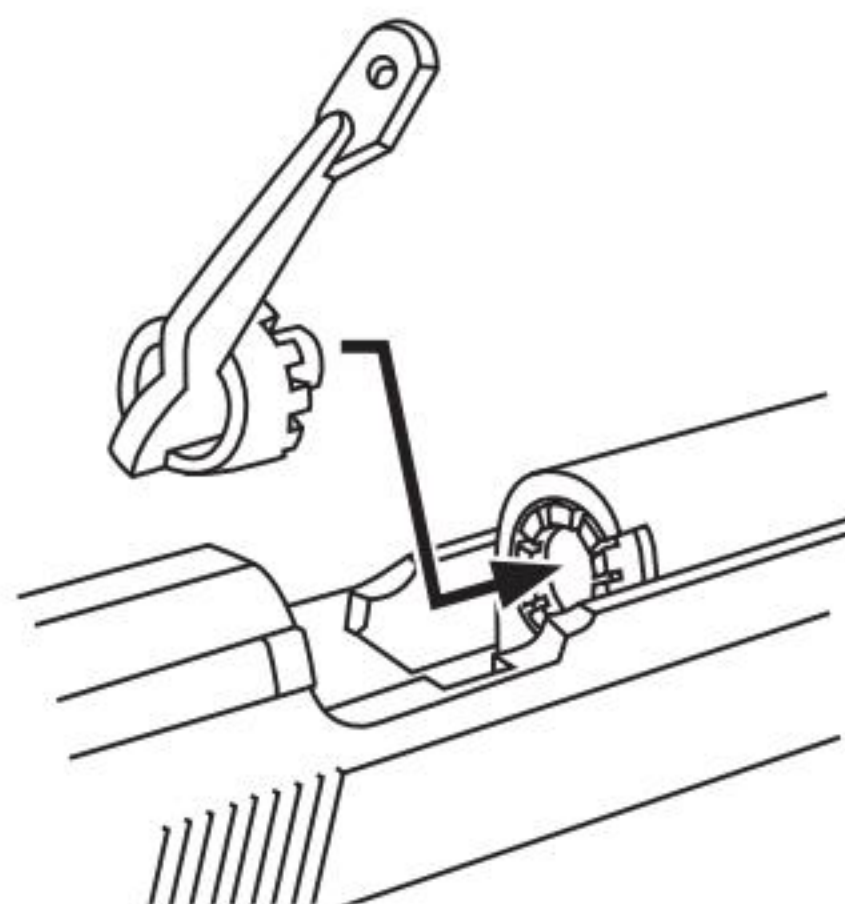
HOP-UP SYSTEM

The Hop-Up device is one of KWA's standard features, giving Airsoft BBs greater stability, further travel and increased accuracy. Airsoft BBs are light-weight and can be affected by wind when fired. With the Hop-Up system, the trajectory of the Airsoft BBs can be adjusted according to the shooting environment or surroundings.

HOP-UP ADJUSTMENT

To adjust the Hop-Up, make sure the magazine is loaded and that you have at least 65 feet of clearance for a test fire before making any adjustments.

1. Test fire the gun for 10 to 20 rounds and observe the BB's traveling pattern.
2. Remove the magazine.
3. Open the slide and place adjusting tool into the slotted chamber ring. Turn the adjusting ring a 1/4-inch at a time.
4. If the BBs are dropping too quickly, move the adjusting ring to the left or counter-clockwise to give the BB more hop. If the BBs are dropping too slowly, move the adjusting ring to the right or clock-wise.
5. Test fire and adjust as needed.



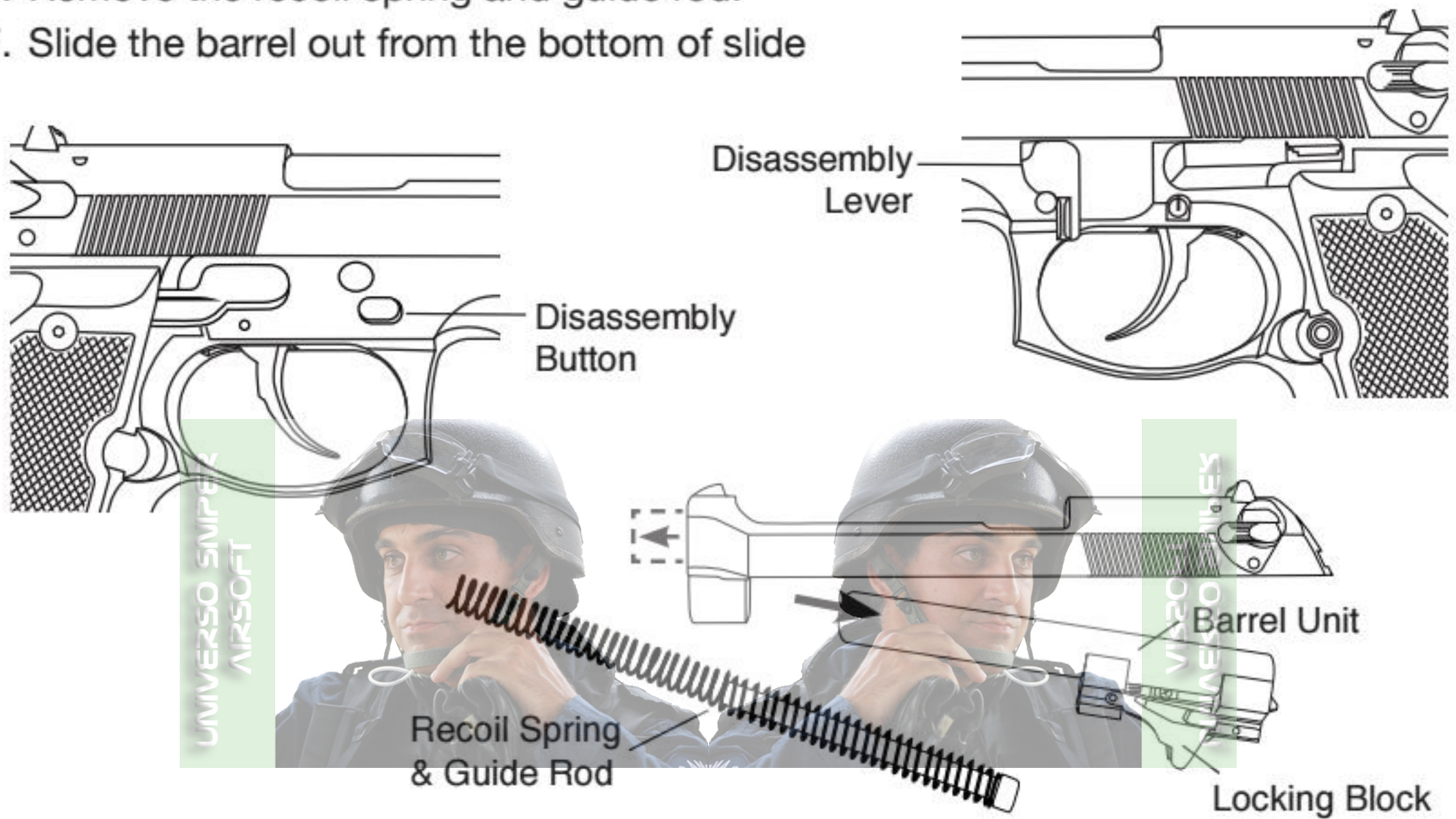
HOP-UP ADJUSTMENT POINT

HOP UP EFFECTIVENESS	BB TRAJECTORY PATTERN	ADJUSTMENTS
NOT EFFECTIVE	BB DROPS FREELY	TURN KNOB TO LEFT
SLIGHTLY	BB TRAVELS AT SHORT TRAJECTORY PATH	TURN KNOB SLIGHTLY TO LEFT
PROPERLY	BB TRAVELS DISTANCE AT FLAT TRAJECTORY PATH	NO ADJUSTMENT MADE
OVERLY	BB TRAVELS FLAT IN SHORT DISTANCE, THEN GOES UP IN CURVE AND DROPS FREELY	TURN KNOB SLIGHTLY TO RIGHT
EXTREMELY EFFECTIVE	BB TRAVELS AT UNSTABLE SPEED AND IRREGULAR PATH	TURN KNOB TO RIGHT

DISASSEMBLY

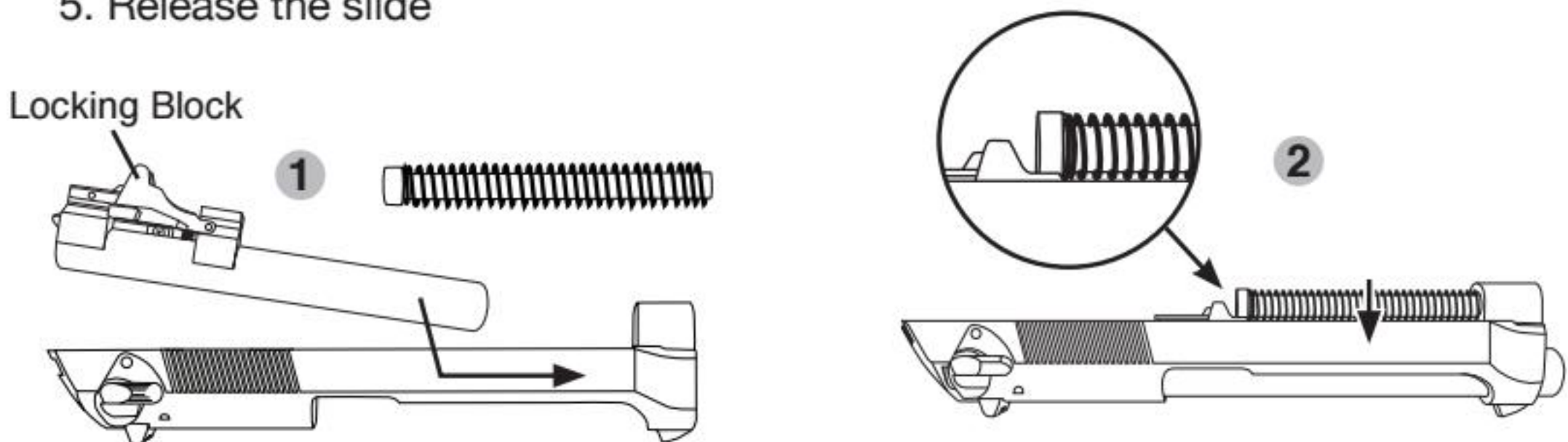
It is not recommended to disassemble the gun unless for general maintenance, or to clear BBs jammed inside the barrel.

1. Remove the magazine
2. Check and clear the chamber of BBs
3. Pull the slide to the rear by 1/4 inch and push disassembly button inward and hold.
4. Push the disassembly lever downward and release the disassembly button.
5. Pull the slide forward away from the frame
6. Remove the recoil spring and guide rod.
7. Slide the barrel out from the bottom of slide



ASSEMBLY

1. Place the barrel into the slide from underneath
2. Install the recoil spring and guide rod into position
3. Push the slide onto the frame rails and hold back
4. Swing the disassembly lever upward
5. Release the slide



NOTE: After assembly is completed, cycle the slide back and forth to ensure proper assembly.

GENERAL MAINTENANCE FOR KWA GAS BLOW BACK

Green gas is a liquid propellant which tends to dry out the seals and o-rings. With lubricating silicone oil, it will extend the life of the seals and o-rings and prevent gas leaks.

Use only the recommended 100% silicone oil, available for purchase at the Airsoft dealer where you purchased your KWA products. Any other type of lubricant may damage the products.

Lightly lubricate the recoil spring, cylinder and moving parts with a few drops of oil. Lubricating the seals and o-rings are essential. Unload BBs from the magazine. Make sure the magazine is free of gas before lubricating the magazine's charging valve and release valve.

OPERATING UNDER UNUSUAL CONDITIONS

Unusual conditions are defined as any condition requiring special maintenance. Perform maintenance outlined for the climate similar to your operational area

Extreme Cold:

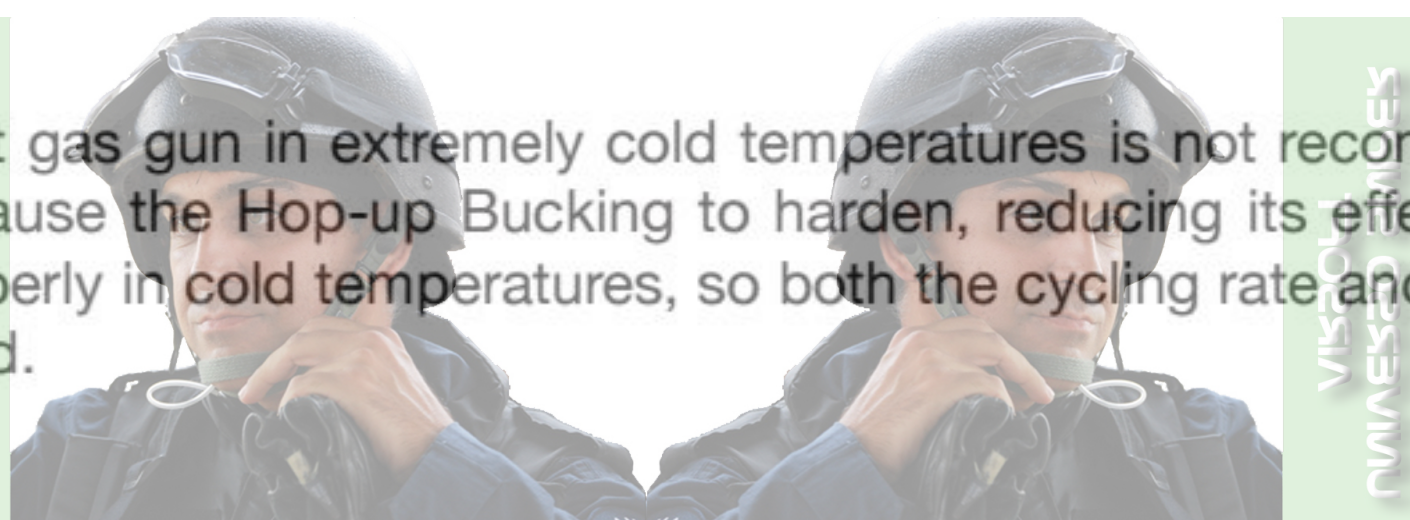
Operating an Airsoft gas gun in extremely cold temperatures is not recommended. Cold temperatures will cause the Hop-up Bucking to harden, reducing its effectiveness. Gas will not expand properly in cold temperatures, so both the cycling rate and power will be dramatically reduced.

Extreme Heat:

Operating an Airsoft gas gun in extremely hot temperatures is also not recommended. Leaving the gun in direct sunlight for long periods of time, or operating in extremely hot areas will cause the gas to over-expand, damaging the internal workings of the gun. The increase in internal pressure from the expanding gas can also damage the seals and cause leaks in the magazine.

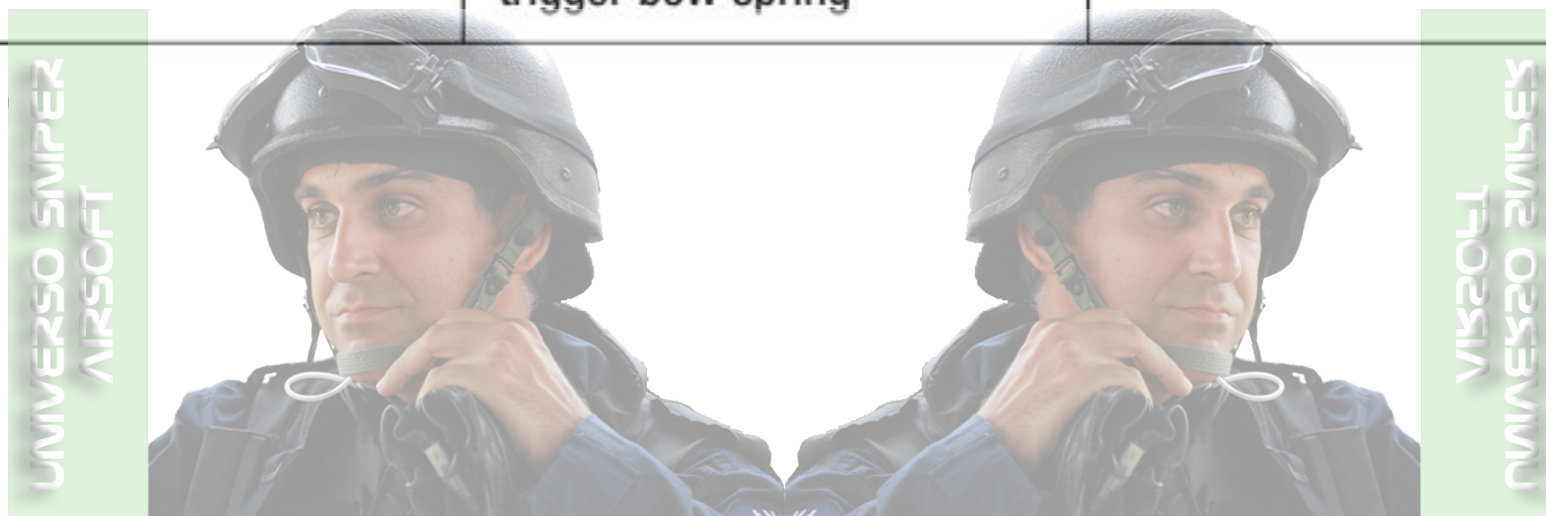
Dust or Sand:

Dust or sand can get into a gas gun and cause malfunctions and/or excessive wear. Keep the gun covered whenever possible. Use lubricant sparingly, as lube naturally attracts dirt and other particles. After use in a dusty area, always field strip the gun (refer to Disassembly Section) and clean any areas you can reach with a soft, lint-free cloth.

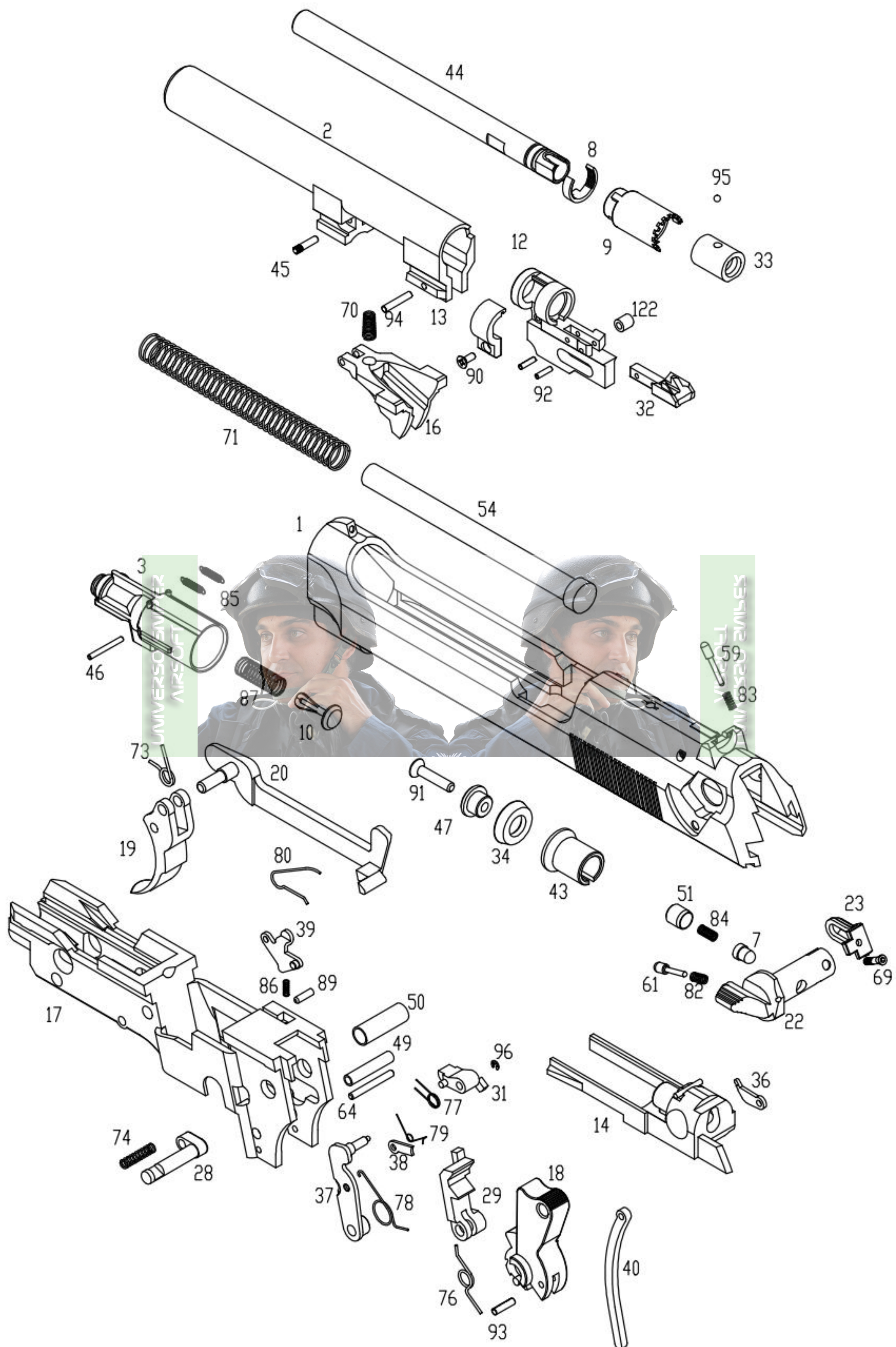


BASIC TROUBLESHOOTING GUIDE FOR PISTOL

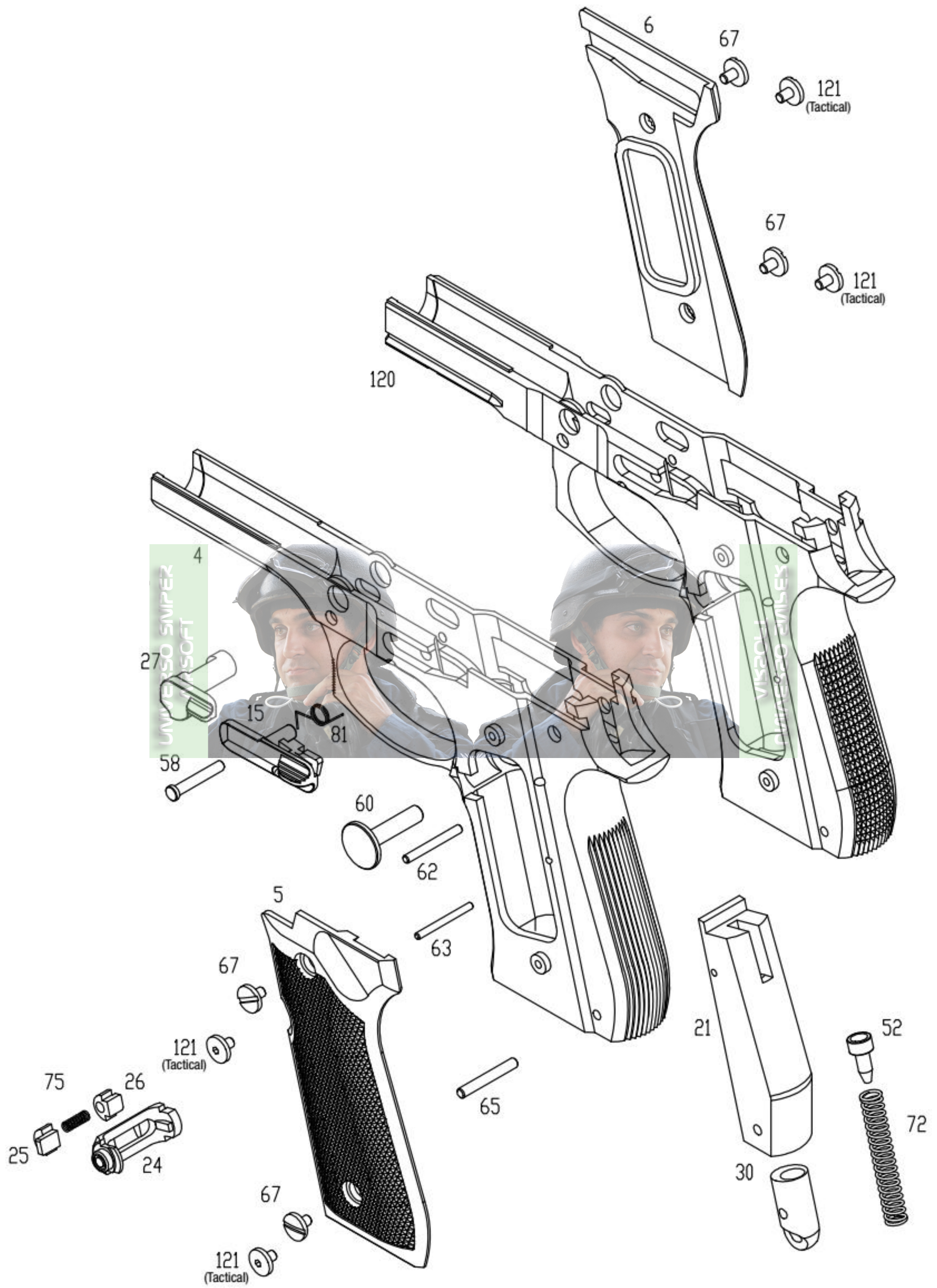
SYMPTOMS	POSSIBLE CAUSE	SOLUTIONS
Slide jams / Will not complete cycle	Dry internals	Add silicone to cylinder / main seal/ rails
Double feeds BBs into chamber / BB's roll out of barrel	Hop-up adjustment too tight	Release hop-up or replace bucking
BBs will not release from magazine / bent mag lip/ check bb condition	Bent magazine lip	Replace magazine lip
Leaking release valve & charging valve	Dry O-ring	Add silicone oil to valves / Replace valves
Slide stop engages while shooting BBs	Weak slide stop spring	Adjust tension
Magazine base plate will not lock	Broken base plate lock	Replace base plate lock
Magazine base leaking air	Worn out base seal	Replace magazine base seal
Cylinder will not load BBs into chamber	Broken cylinder tap	Replace cylinder
Trigger will not reset	Worn out trigger spring / trigger bow spring	Replace trigger spring / trigger bow spring



PARTS DIAGRAM



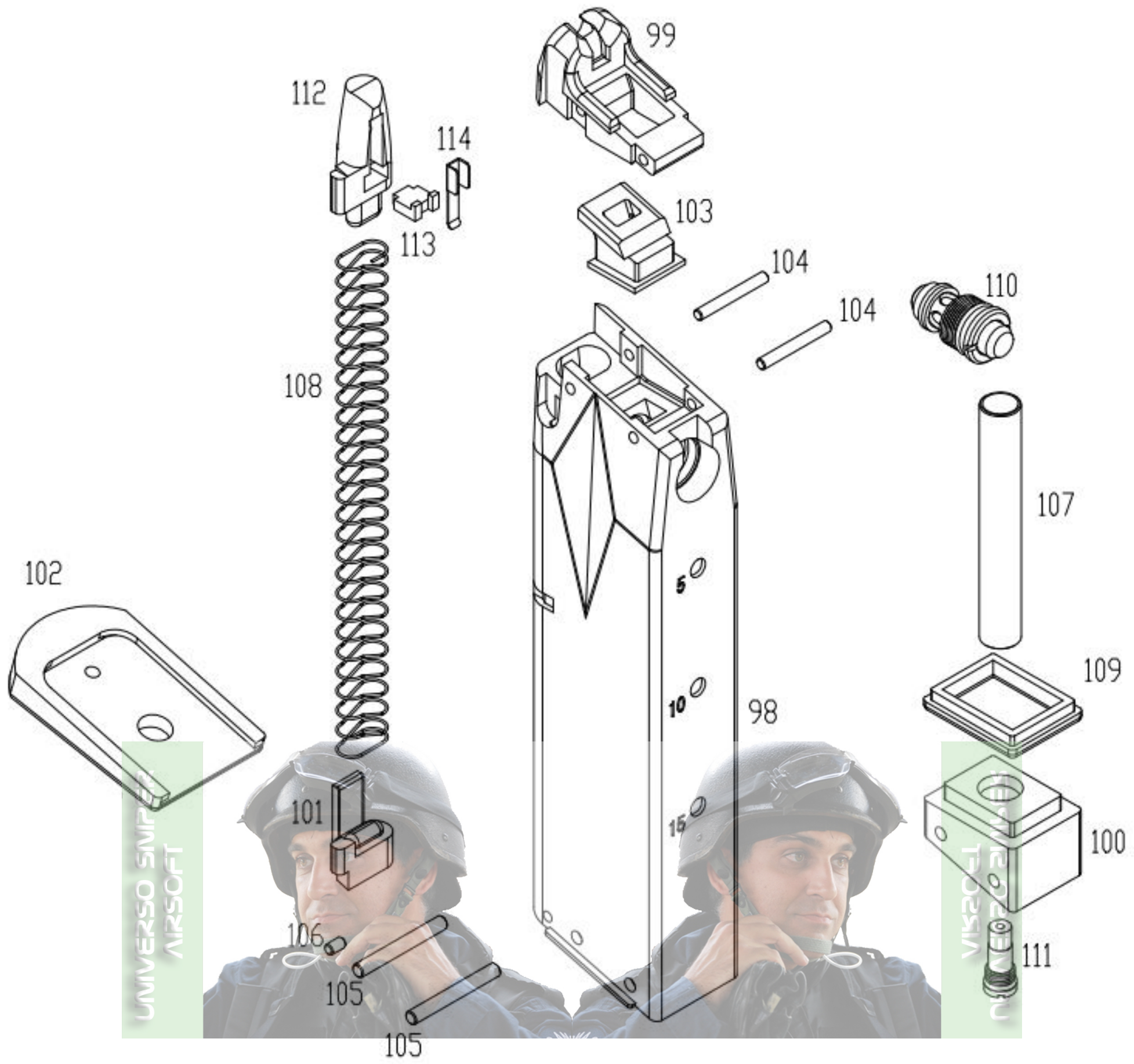
PARTS DIAGRAM



PARTS LIST

Parts #	Description	Parts #	Description	Parts #	Description
M9 Series-1	Slide	M9 Series-38	Impact Block Housing Lever	M9 Series-77	Impact Block Spring
M9 Series-2	Outer Barrel	M9 Series-39	Hammer Bar	M9 Series-78	Impact Block Housing Spring
M9 Series-3	Cylinder	M9 Series-40	Hammer Strut	M9 Series-79	Impact Block Housing Lever Spring
M9 PTP-4	Standard Frame	M9 Series-43	Main Seal Base	M9 Series-80	Trigger Bar Tension Spring
M9 Series-5	Grip (Left)	M9 Series-44	Inner Barrel	M9 Series-81	Slide Catch Spring
M9 Series-6	Grip (Right)	M9 Series-45	Locking Block Pin	M9 Series-82	Safety Tension Plunger Spring
M9 Series-7	Firing Pin Striker	M9 Series-46	Jet Nozzle Pin	M9 Series-83	Plunger Spring
M9 Series-8	Hop Up Cylinder Clamp	M9 Series-47	Main Seal Cap	M9 Series-84	Firing Pin Spring
M9 Series-9	Hop Up Cylinder	M9 Series-49	Sear Pin Sleeve	M9 Series-85	Cylinder Return Springs x 2
M9 Series-10	Jet Nozzle	M9 Series-50	Hammer Pin Sleeve	M9 Series-86	Decocking Bar Spring
M9 Series-12	Inner Barrel Base	M9 Series-51	Firing Pin Spring Retainer	M9 Series-87	Jet Nozzle Spring
M9 Series-13	Inner Barrel Base Clamp	M9 Series-52	Hammer Strut Plunger	M9 Series-89	Decocking Bar Set Screw
M9 Series-14	Breech	M9 Series-54	Recoil Spring Guide Rod	M9 Series-90	Inner Barrel Base Clamp Screw
M9 Series-15	Slide Catch Lever	M9 Series-58	Trigger Pin	M9 Series-91	Main Seal Cap Screw
M9 Series-16	Locking Block	M9 Series-59	Safety Lever Plunger Spring (Small)	M9 Series-92	Barrel Ramp Pins X 2
M9 Series-17	Inner Body Frame	M9 Series-60	Hammer Pin	M9 Series-93	Hammer Strut Pin
M9 Series-18	Hammer	M9 Series-61	Safety Tension Plunger	M9 Series-94	Inner Barrel Base Pin
M9 Series-19	Trigger	M9 Series-62	Sear Pin	M9 Series-95	Hop Up Adjustment Ball
M9 Series-20	Trigger Transfer Bar	M9 Series-63	Top Main Spring Housing Pin	M9 Series-96	Impact Block E-Clip
M9 Series-21	Main Spring Housing	M9 Series-64	Spring Tension Bar	M9 PTP TACTICAL-120	Frame
M9 Series-22	Safety Lever (Left)	M9 Series-65	Main Spring Housing Pin	M9 PTP TACTICAL-121	Grip Screws x4
M9 Series-23	Safety Lever (Right)	M9 PTP-67	Grip Screws X 4	M9 Series-122	Inner Barrel Base Pin Sleeve
M9 Series-24	Magazine Catch	M9 Series-69	Safety Lever Set Screw (Right)		
M9 Series-25	Magazine Catch Bushing (Left)	M9 Series-70	Locking Block Spring		
M9 Series-26	Magazine Catch Bushing (Right)	M9 Series-71	Recoil Spring		
M9 Series-27	Disassembly Lever	M9 Series-72	Hammer Strut Spring		
M9 Series-28	Disassembly Lever Pin	M9 Series-73	Trigger Spring		
M9 Series-29	Sear	M9 Series-74	Disassembly Lever Spring		
M9 Series-30	Lanyard Loop	M9 Series-75	Magazine Catch Spring		
M9 Series-31	Impact Block	M9 Series-76	Sear Spring		
M9 Series-32	Barrel Ramp				
M9 Series-33	Hop Up Bucking NS2				
M9 Series-34	Main Seal				
M9 Series-36	Safety Cam				

MAGAZINE DIAGRAM AND PARTS LIST



Parts #	Description
M9 Series-MG98	Magazine Body
M9 Series-MG99	Magazine Lip
M9 Series-MG100	Magazine Base
M9 Series-MG101	Magazine Base Plate Lock
M9 Series-MG102	Magazine Base Plate
M9 Series-MG103	Magazine Nozzle Seal
M9 Series-MG104	Magazine Lip Pins X2
M9 Series-MG105	Magazine Base Pins X2
M9 Series-MG106	Magazine Base Plate Lock Pin

Parts #	Description
M9 Series-MG107	Magazine Expansion Tube
M9 Series-MG108	Magazine Follower Spring
M9 Series-MG109	Magazine Base Seal
M9 Series-MG110	Magazine Gas Release Valve
M9 Series-MG111	Magazine Charging Valve
M9 Series-MG112	Magazine Follower
M9 Series-MG113	Magazine Follower Lock
M9 Series-MG114	Magazine Follower Lock Leaf Spring



UNIVERSO SNIPER
AIRSOFT

UNIVERSO VISOR



KWA Performance Industries, Inc.

Copyright © September, 2007 KWA Performance Industries, Inc. All Rights Reserved.