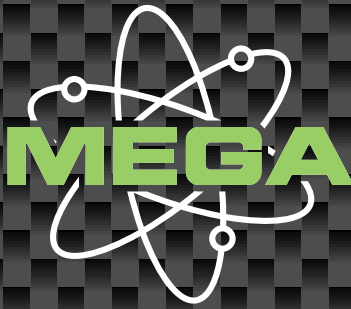


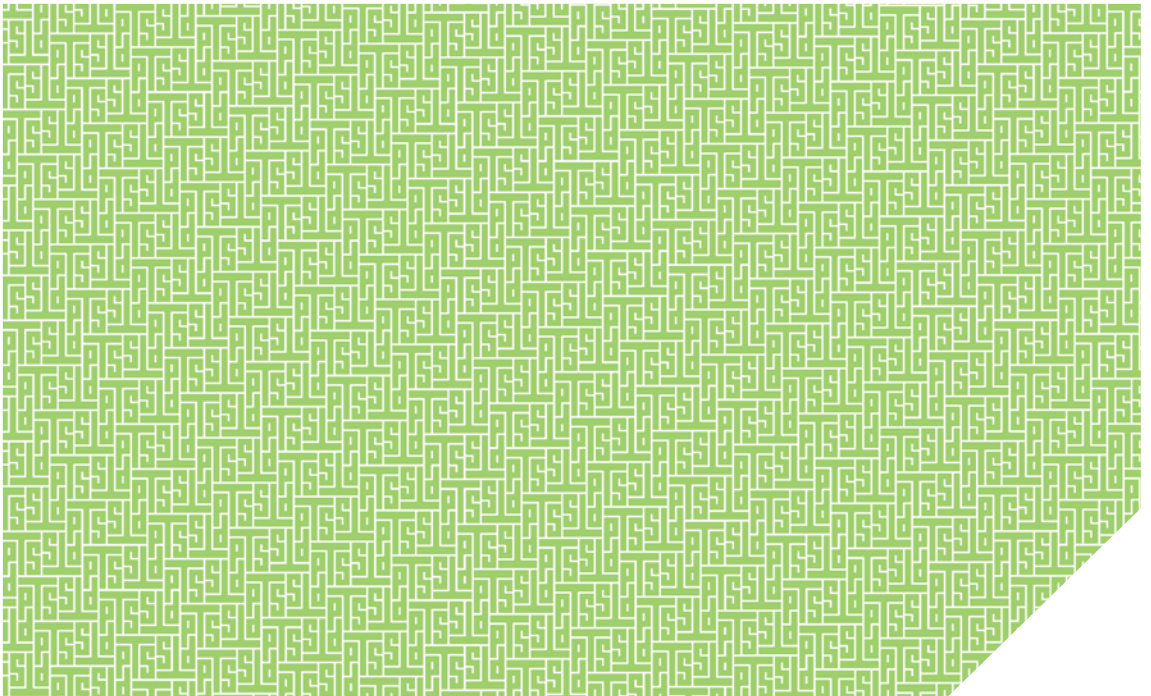
PROFESSIONAL TRAINING & SIMULATION



PTS MEGA ARMS MKM-AR15

Manufactured in Taiwan by Yih Kai

Instruction Manual



AR-15 / M4 Rifle System:

The M4 Carbine is the most current rendition in a lineage of rifles that began with the original AR-15 rifle. Conceived as a gas operated, magazine-fed, selective fire, shoulder-fired rifle, the M4 Rifle system and its variants are the most common rifles employed by the US military and their allies today. In addition to the AR-15's well known accuracy, reliability, and popular ergonomics, a key factor encouraging adoption by so many different countries is its modularity. This allows it to be configured according to the needs of the user.

PTS MEGA ARMS MKM GBBR (Gas Blowback Rifle):

The PTS Mega Arms MKM GBBR series of guns are variation based on the M4/AR-15 platform. The Mega Arms GBBR (Airsoft Gas Blowback Rifle) represents the continued evolution of Airsoft guns as training systems.

The PTS GBBR series of Airsoft guns features the same firearms manipulations and functions as found on real AR15 firearms.

Precision machined and engineered, the PTS Mega Arms MKM GBBR is a perfect training gun for the shooter who desires realistic firearms manipulation, the reliability of PTS training products and the unique style that only Mega Arms can envision.

Core Features:

- Gas operated recoil blowback
- Realistic construction and field stripping
- Functional bolt catch and release
- Functional forward assist
- Semi and full auto select fire modes
- Adjustable hop-up

Special Features:

- Mega Arms GTR-3H Billet Lower Receiver with flared magazine well
- Mega Arms MKM AR-15 Billet Upper Receiver with KeyMod handguard
- Compatible with all standard KeyMod accessories
- Ultra lightweight design
- Mega Arms Skeletonized Trigger
- Black hard anodized finish
- Exclusive Mega Arms LLC licensed product
- Adjustable front and rear sights
- Collapsible stock

SAFETY INSTRUCTIONS AND HANDLING

You should be fully familiar with the proper and safe handling of your airsoft gun. The basic principles of gun safety require you to always apply the following rules when handling airsoft guns:

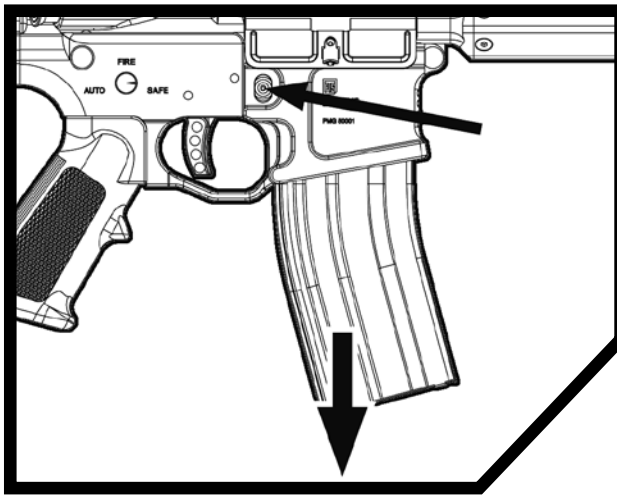
- Always treat an airsoft gun as if it were loaded.
- Always set the safety selector on an airsoft gun to “SAFE” when loading it so that there can be no risk of an unintentional discharge.
- Keep your finger off the trigger and outside the trigger guard until you are ready to shoot.
- Always keep the muzzle pointed in a safe direction.
- Never aim your airsoft gun at persons, animals or property. To avoid ricochets, never fire at smooth, hard surfaces or water.
- Before you discharge your airsoft gun, make sure that the target and surrounding area is safe. Always be aware of your target's foreground and background.
- Proper eye protection should always be worn when firing an airsoft gun.
- Always store your airsoft gun in a safe place, in an unloaded condition and out of reach from children.
- This airsoft gun (along with its operating instructions) may only be handed over to persons who have reached the age of 18 (or older) and who are fully familiar with the handling of it.
- Modifications and/or repairs to the airsoft gun should only be completed by authorized agencies or by a skilled gunsmith.
- Never leave a loaded airsoft gun unattended.
- Only an unloaded airsoft gun is to be handed over to another person.

CAUTION

- You must be 18 years or older to purchase this airsoft gun.
- Any alteration or conversion done to this airsoft product that leads to a different classification of the airsoft gun/weapon in regards to the applicable firearms legislation may render it illegal. If these circumstances occur, the manufacturer's warranty becomes immediately null and void.

WARNING

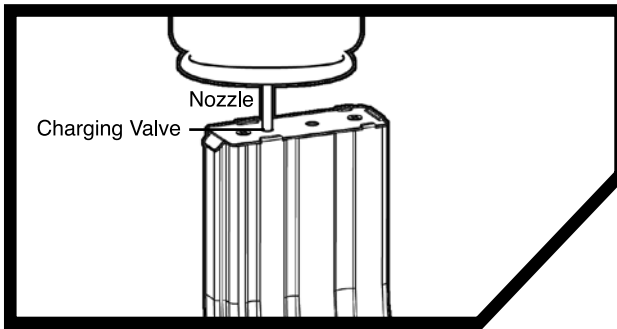
- Do not brandish or display this airsoft product in public - it may confuse people and may be a crime in your area. Police and others may view it as a firearm and they may react under that assumption. Do not change the coloration and markings to make it look like a real firearm. That is dangerous and may be a crime.
- Observe safe firearm handling practices at all times. Failure to do so may result in serious bodily injury or death. PTS is not responsible for injury, death or property damage resulting from faulty installation, misuse, illegal use, or modification of this product.
- PTS products feature design modification and/or material construction that renders them incompatible with real firearms.
- DO NOT attempt to install, modify, or otherwise adapt PTS products for use on real firearms, as damage to the weapon and/or serious personal injury may occur.



Charging Gas

The PTS GBBR uses green gas (sold separately) to propel the BB projectiles. The green gas is stored within each magazine which should be charged between each use.

1. Release the magazine by pressing the magazine catch button.
2. Invert the magazine and push the green gas canister nozzle into the magazine's charging valve at the base of the magazine. (Make sure both the canister and magazine are inverted and inline in the vertical position when charging).



3. Charge the magazine for approximately 30-40 seconds.

WARNING: Avoid dropping the magazine. A sudden impact with a hard surface may damage the magazine.

Note: It is normal to have minor leaking from the charging valve during gas charging due to high pressure built up inside the magazine. It is recommended to keep the gas release valve slightly oiled. Room temperature is the ideal temperature for shooting. You may experience a delayed action if the surrounding temperature drops below 68°F.

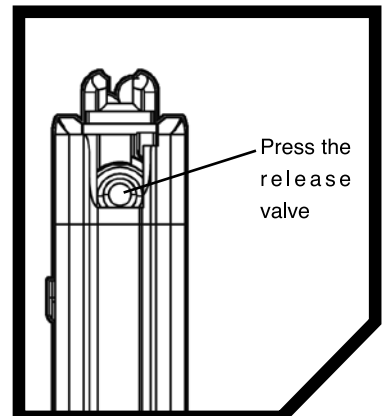
Note: Do not expose the magazine to direct sunlight or incinerate the magazine, as this may cause the magazine to burst. It is strongly recommended to empty the gas from the magazine after shooting. Be certain that the gas does not make contact with eyes or skin while being released, as any contact will cause cold burns.

Discharge Gas

Hold the lower half of the magazine. Make sure the magazine release valve at the top of the magazine is faced away from your face and skin. Press the release valve at the rear top of the magazine. Residual gas will be discharged.

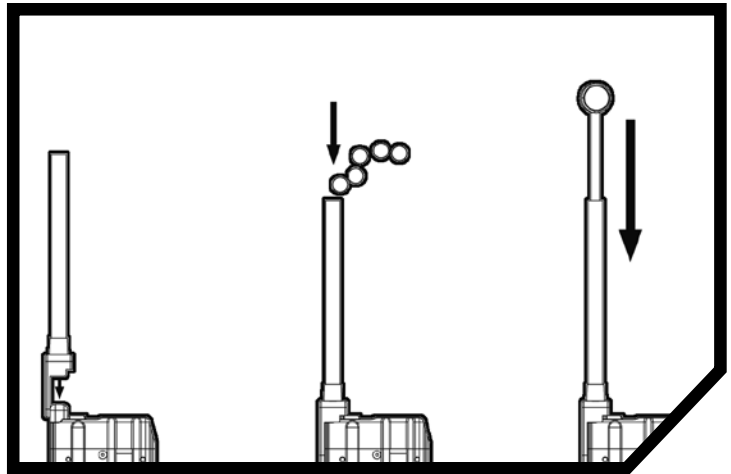
GREEN GAS SAFETY TIPS

- Check the gas canister for any cracks or leaks before using.
- Do not expose the gas canister to temperatures over 104°F.
- Do not place the gas canister directly over fire.
- Do not heat the gas canister.
- Keep the gas canister out of direct sunlight.
- Do not leave the gas canister in any type of vehicle.



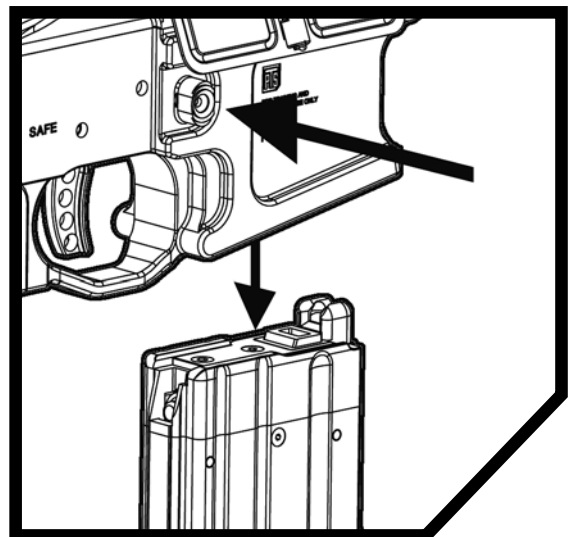
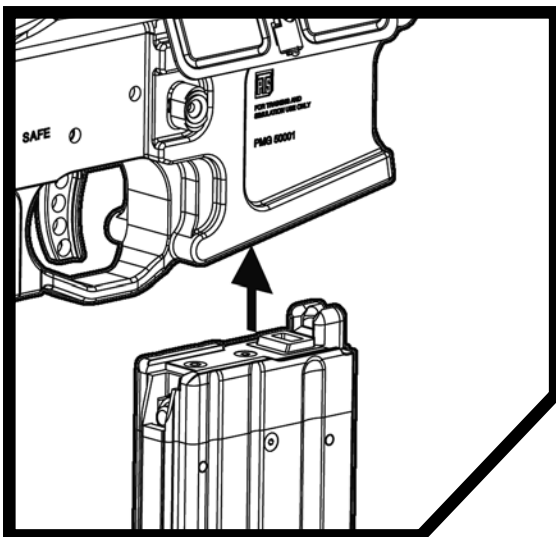
Loading the Airsoft magazine:

- Fit the included BB loader over the magazine feed lips.
- Load the 6mm Airsoft BBs into the BB loader's BB tube.
- Insert the plunger rod into the top of the BB loader and push down to load BBs into the magazine.
- Use only high quality 6mm Airsoft BB pellets (0.2g or heavier) with your PTS Mega Arms MKM GBBR.
- Never reuse BBs or use low quality BBs to prevent damage to your gun.
- Never overload BBs into the magazine.

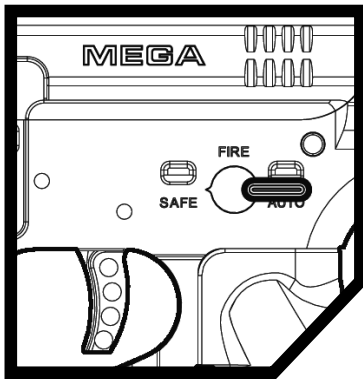


Loading and Unloading the Magazine:

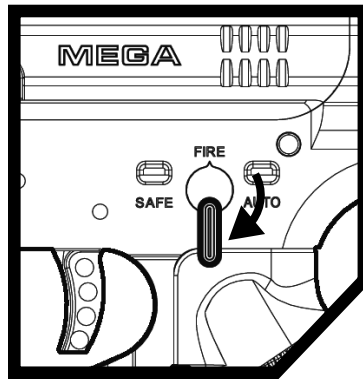
- Insert the magazine into the magazine well of the lower receiver. When the magazine is fully seated, the magazine catch will lock the magazine in place.
- Give the magazine a light downward tug to ensure it is securely locked in.
- Pull the charging handle back and then release it to chamber the first round.
- If the bolt is locked back, it can be released by pressing the bolt catch button on the left side of the receiver.
- Depressing the magazine release button on the right side of the MKM GBBR releases the magazine which can then be removed from the gun.
- The PTS Mega Arms MKM GBBR is compatible with all LM4 type GBBR magazines manufactured by Yih Kai Industries.



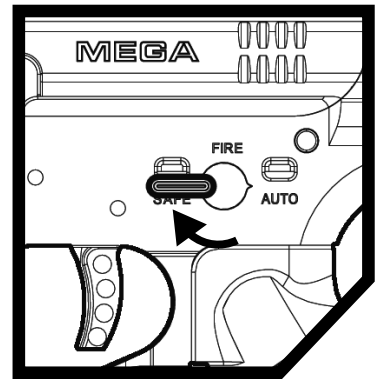
Safety Selector



SAFE



SEMI-AUTOMATIC



FULLY AUTOMATIC

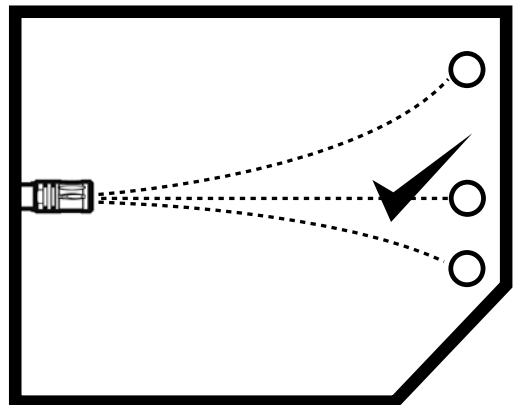
The PTS Mega Arms MKM GBBR has three fire control settings: Safe (the gun cannot be fired), Semi-Automatic (the gun will fire once per trigger pull), and Fully Automatic (the gun will continue to fire while the trigger is depressed or until the ammunition is exhausted).

Basic Gun Safety Tips:

- Always treat the Airsoft gun as if it is loaded regardless of its actual loaded condition.
- Keep the Airsoft gun pointed in a safe direction.
- Keep your finger straight, off the trigger and outside the trigger guard until you've made the decision to shoot.
- Always be sure of your target, what is between you and the target, and what is beyond the target.
- Do not store the Airsoft gun with a loaded magazine.
- Handle the Airsoft gun responsibly.

Hop-Up System

The Hop-Up device is a standard feature on all PTS GBBR series products, giving Airsoft BBs greater stability, further travel, and increased accuracy. Airsoft BBs are light-weight projectiles and can be affected by wind when fired. Since the inner barrel on Airsoft guns do not use traditional rifling, the Hop-Up device is used to apply backspin onto the BBs as they are shot to counteract the affects of wind and gravity. With the Hop-Up system, the trajectory of the Airsoft BBs can be adjusted according to the shooting environment or surroundings.

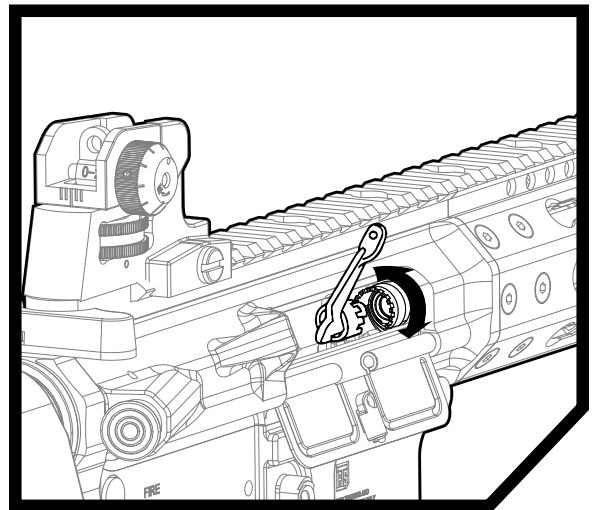
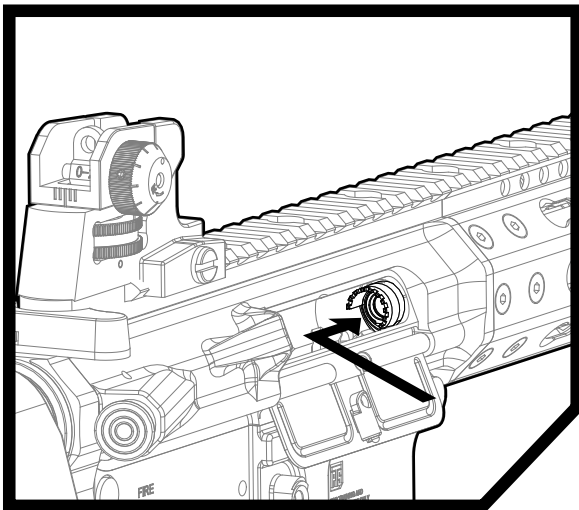


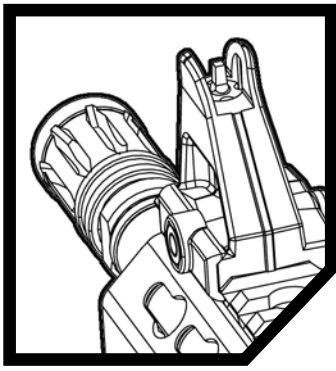
Hop-Up Adjustment

- Test fire the gun in a safe direction to determine the amount of hop-up needed (the amount of backspin that needs to be applied). Different weight BBs may need different amounts of hop-up.
- Remove the magazine from the gun.
- The hop-up unit is accessible via the PTS MKM's shell ejection port. Depress the base of the bolt catch lever and pull back the charging handle to lock the bolt carrier assembly to the rear.
- The hop-up unit adjustment ring is located within the barrel chamber.
- Insert the hop-up adjustment wrench into the chamber.
- Turn the adjustment ring to the left (counter-clockwise) to give the BB more hop-up.
- If the BBs are climbing too high, turn the adjustment ring to the right (clockwise) to reduce the hop-up.
- Test fire the gun in a safe direction and adjust as needed for optimal performance.
- The ideal setting has been achieved when the rounds fired maintain a relatively flat trajectory, essentially a "sweet spot" between too much and too little hop-up. Keep in mind that hop-up settings will vary from one ammo weight to another (e.g. 0.2 gram BBs versus 0.3 gram BBs). If the hop-up has been adjusted for ideal shot trajectory with a certain weight BB, changing the weight of the BB may require adjustment of the hop-up setting.

WARNING:

Do not release the bolt with the wrench still in the chamber. It can damage the hop-up device and chamber components. Do not over torque the hop-up adjustment wrench. Doing so may damage the hop-up cylinder.





Fixed Front Sight

The PTS MKM GBBR comes standard with an adjustable fixed front sight.

- Using a front sight adjustment tool, rotate the front sight post clockwise to elevate the point of impact, and counter-clockwise to lower it.

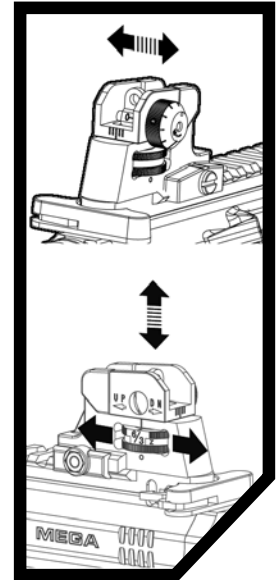
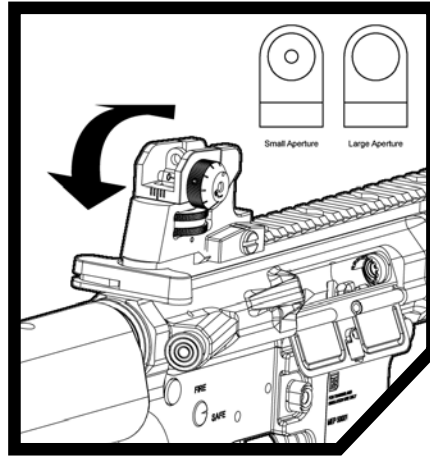
Fixed Rear Sight

The PTS MKM GBBR comes standard with an adjustable fixed rear sight. The rear sight has windage and elevation adjustment dials as well as dual plane apertures.

- To adjust the horizontal point of impact, rotate the large windage knob located on the right side of the rear sight.

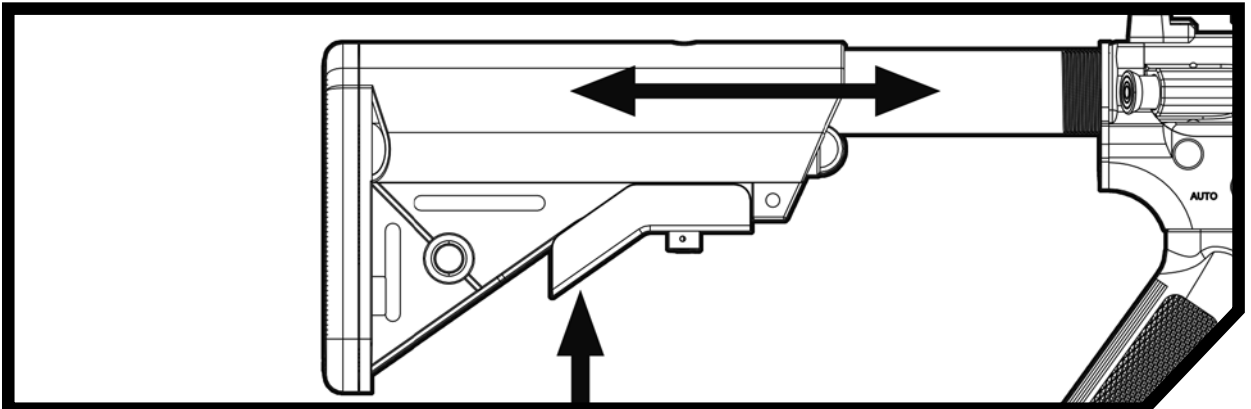
- To adjust the vertical point of impact, rotate the large central elevation knob accessible from both left and right sides of the rear sight.

- The rear sight also features dual same-plane flip apertures. The larger aperture plane allows for quicker sight picture acquisition, and the smaller aperture plane provides greater accuracy when needed.



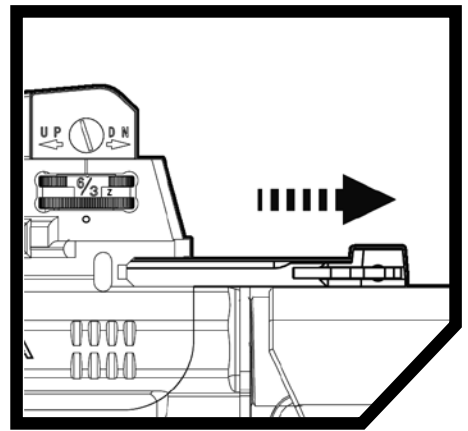
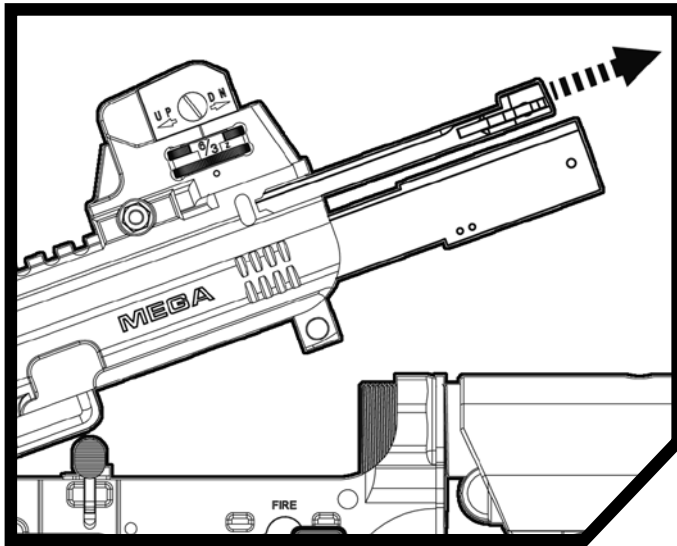
Adjusting the Collapsible Stock

The PTS MKM GBBR comes with a collapsible stock. Squeeze the locking latch and slide the stock to the appropriate position for an ideal length-of-pull.

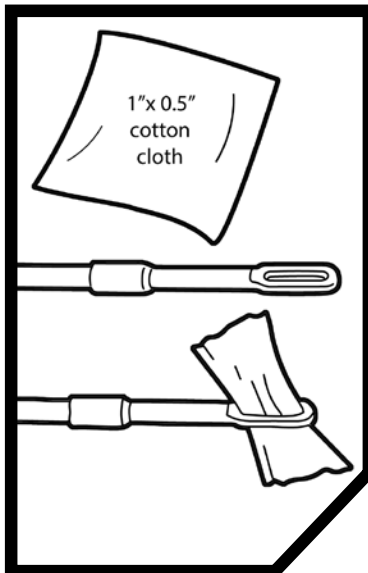


Disassembly

- Remove the magazine.
- Pull back and release the charging handle to reset the hammer. Note: The bolt must be forward in the "FIRING" position.
- Set the safety selector to SAFE.



- Push in the two receiver pins from the left side as far as they will go. Start with the rear Takedown Pin first, then the front Pivot Pin.
- Separate the upper receiver from the lower receiver.
- Pull out the charging handle to remove the bolt carrier assembly.



Cleaning Procedure

The bolt carrier assembly and inner surface of the barrel should be cleaned after each shooting session. Regular cleaning prevents the effects of BB residue and dirt buildup that can hinder performance or jam the gun.

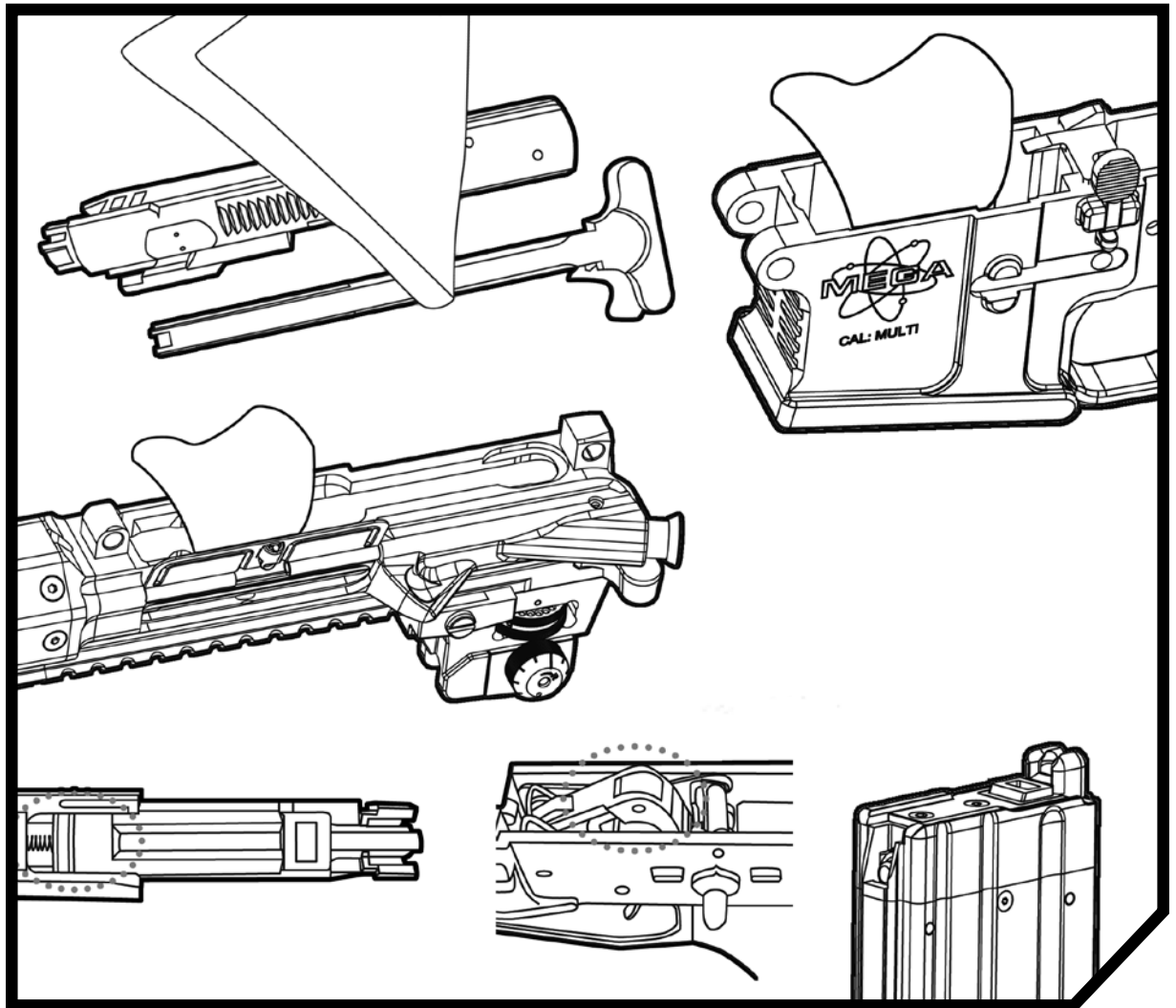
Cleaning The Barrel

Occasional barrel cleaning of the PTS MKM GBBR is highly recommended to ensure optimal performance.

- Ensure the safety is engaged.
 - Remove the magazine and clear the chamber of loaded BBs.
 - Disable the hop-up by rotating the hop-up unit ring to the OFF position (see Hop-Up adjustment section).
- Separate the upper and lower receiver (see Disassembly section).
 - Using a 1" x 0.5" cotton cloth strip, insert one end of the cloth into the hole in the cleaning rod and wind the cloth around the rod.
 - Gently insert the cleaning rod through the front of the inner barrel to clean the barrel's bore. Push the rod all the way through and out the rear of the upper receiver. Repeat as necessary.
 - It is NOT recommended to use any cleaning solutions nor silicone oil sprays to clean the inner barrel. A dry cloth strip should suffice.

Cleaning The Receiver Components

- Use a clean cotton cloth to wipe down the surface of the charging handle and bolt carrier assembly.
- Use a clean cotton cloth to clean inside the upper receiver and magazine well.
- Clean the remainder of the Airsoft gun with cotton-tipped swabs, or general purpose cleaning cloths.
- Place a small amount of silicone oil* on:
 - The length of the charging handle
 - The rails and cylinder of the bolt carrier
 - The hammer roller
- The magazine seals and o-rings. Unload BBs from the magazine. Make sure the magazine is free of gas before lubricating the magazine's charging valve and release valve.
- There are various different brands and types of silicone oil lubricant on the retail market for various different end uses, however we recommend using only silicone oil lubricant manufactured specifically for airsoft GBBR purposes. Never use WD-40 or other types lubricants as that may damage the components.





PROFESSIONAL TRAINING & SIMULATION

As the worldwide exclusive licensee of a wide variety of airsoft products and brands, PTS prides itself in helping create the most authentic experiences possible - both on and off the battlefield. Nothing else handles like PTS because nothing else is made like PTS, guaranteed. Each and every brand in the PTS family must pass rigorous testing requirements. And it's only the most realistic, precision engineered and innovatively designed that make the cut. In the end, you can be assured that the PTS family of brands offers a singular opportunity to own one of the finest, most trusted, field-tested brands ever assembled. Welcome to the PTS experience.

WWW.PTSSYNDICATE.COM

WARNING!

User restricted to 18 years of age or older.

You must read through this Instruction Manual before operating this airsoft gun.

Always wear proper eye and face protection.

Obey all your local laws and regulations regarding ownership and usage of airsoft guns.

Misuse or careless use may result in serious injury or other consequences.