



**PROFESSIONAL
TRAINING &
SIMULATION**

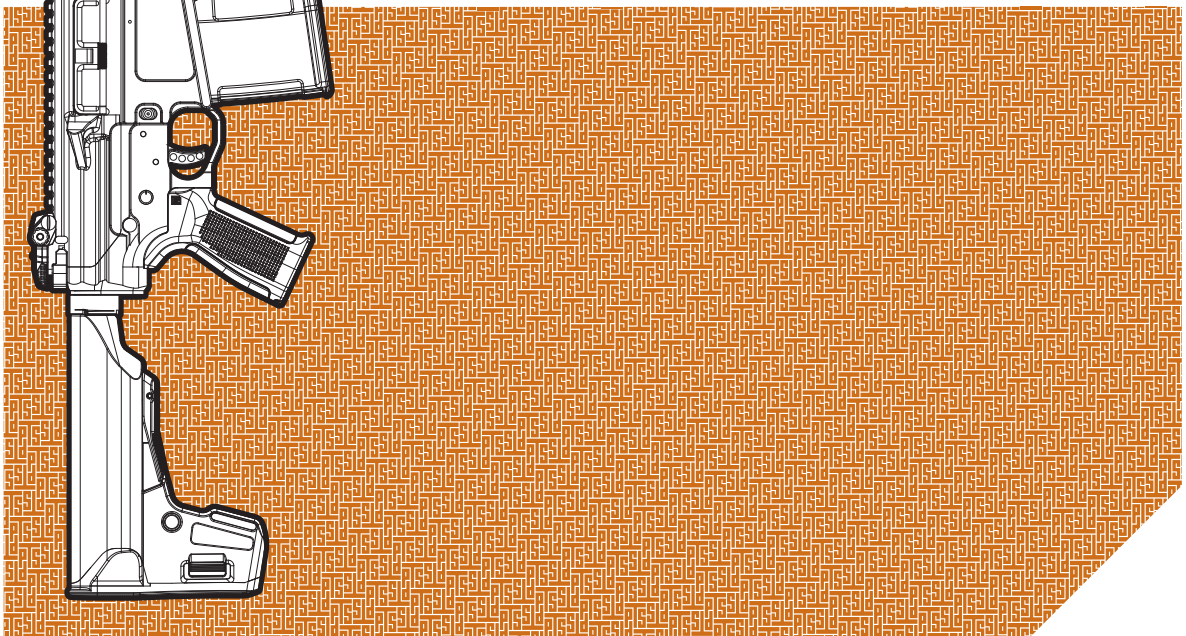
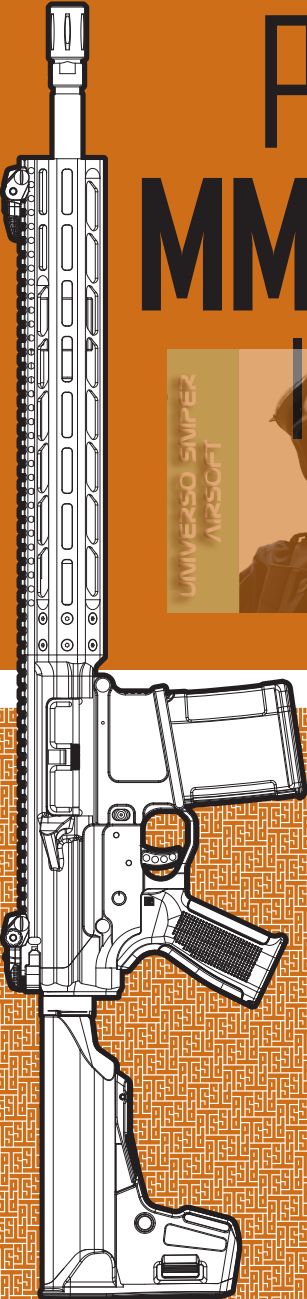
PTS MEGA ARMS MML MATEN GBBR

Instruction Manual

UNIVERSO SNIPER
AIRSOFT

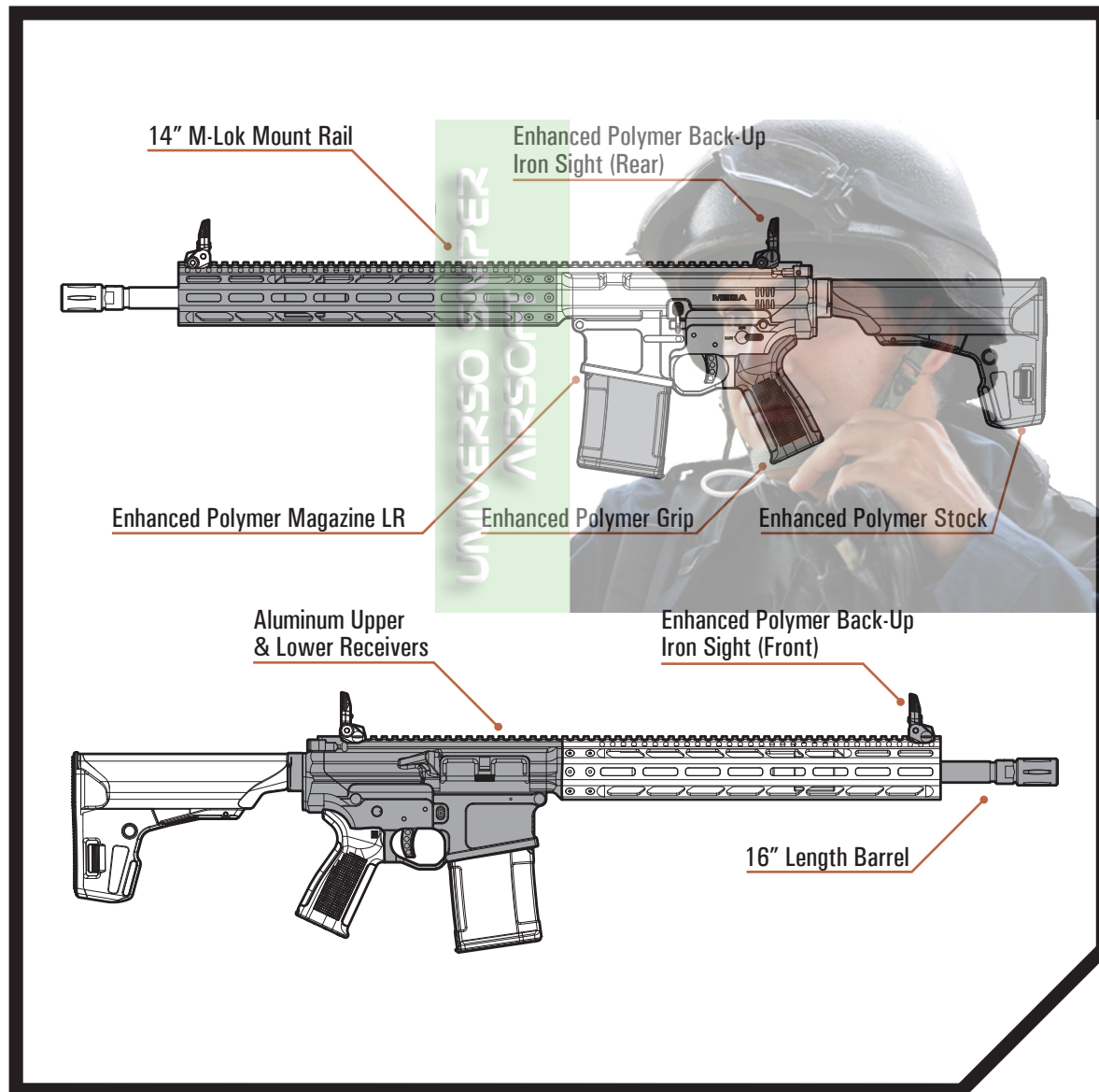


UNIVERSO SNIPER
AIRSOFT



CORE FEATURES

- Gas operated recoil blowback.
- Realistic construction and field stripping.
- Functional bolt catch and release.
- Fire and Burst select fire modes.
- Adjustable hop-up system.
- Integrated EP Series Flip-up Front and Rear Back-up Sights, Stock and Grip.
- CNC machined aluminum construction.
- M-LOK rail mounting system.
- 16" length barrel.



SAFETY INSTRUCTIONS AND HANDLING

You should be fully familiar with the proper and safe handling of your airsoft gun. The basic principles of gun safety require you to always apply the following rules when handling airsoft guns:

- Always treat an airsoft gun as if it were loaded.
- Always set the safety selector on an airsoft gun to "SAFE" when loading it so that there can be no risk of an unintentional discharge.
- Keep your finger off the trigger and outside the trigger guard until you are ready to shoot.
- Always keep the muzzle pointed in a safe direction.
- Never aim your airsoft gun at persons, animals or property. To avoid ricochets, never fire at smooth, hard surfaces or water.
- Before you discharge your airsoft gun, make sure that the target and surrounding area is safe. Always be aware of your target's foreground and background.
- Proper eye protection should always be worn when firing an airsoft gun.
- Always store your airsoft gun in a safe place, in an unloaded condition and out of reach from children.
- This airsoft gun (along with its operating instructions) may only be handed over to persons who have reached the age of 18 (or older) and who are fully familiar with the handling of it.
- Modifications and/or repairs to the airsoft gun should only be completed by authorized agencies or by a skilled gunsmith.
- Never leave a loaded airsoft gun unattended.
- Only an unloaded airsoft gun is to be handed over to another person.

CAUTION

- You must be 18 years or older to purchase this airsoft gun.
- Any alteration or conversion done to this airsoft product that leads to a different classification of the airsoft gun/weapon in regards to the applicable firearms legislation may render it illegal. If these circumstances occur, the manufacturer's warranty becomes immediately null and void.

WARNING

- Do not brandish or display this airsoft product in public - it may confuse people and may be a crime in your area. Police and others may view it as a firearm and they may react under that assumption.
- Do not change the coloration and markings to make it look like a real firearm. That is dangerous and may be a crime.
- Observe safe firearm handling practices at all times. Failure to do so may result in serious bodily injury or death.
- PTS is not responsible for injury, death or property damage resulting from faulty installation, misuse, illegal use, or modification of this product.
- PTS products feature design modification and/or material construction that renders them incompatible with real firearms.
- DO NOT attempt to install, modify, or otherwise adapt PTS products for use on real firearms, as damage to the weapon and/or serious personal injury may occur.

CHARGING GAS

The PTS Mega Arms MML MATEN .308 GBBR uses green gas (sold separately) to propel the BB projectiles. The green gas is stored within each magazine which should be charged between each use.

1. Release the magazine by pressing the magazine catch button.
2. With the magazine in the inverted position push the green gas canister nozzle into the magazine's charging valve at the base of the magazine. (Make sure both the canister and magazine are inverted and inline in the vertical position when charging).
3. Charge the magazine for approximately 30-40 seconds.

WARNING: Avoid dropping the magazine. A sudden impact with a hard surface may damage the magazine.

Note: It is normal to have minor leaking from the charging valve during gas charging due to high pressure built up inside the magazine. It is recommended to keep the gas release valve slightly oiled (only use silicone oil based lubricant). Room temperature is the ideal temperature for shooting. You may experience a delayed action if the surrounding temperature drops below 20°C (68°F).

Note: Do not expose the magazine to direct sunlight or incinerate the magazine, as this may cause the magazine to burst. It is strongly recommended to empty the gas from the magazine after shooting. Be certain that the gas does not make contact with eyes or skin while being released, as any contact will cause cold burns.

DISCHARGE GAS

Hold the lower half of the magazine. Make sure the magazine release valve at the top of the magazine is faced away from your face and skin. Press the release valve at the rear top of the magazine. Residual gas will be discharged.

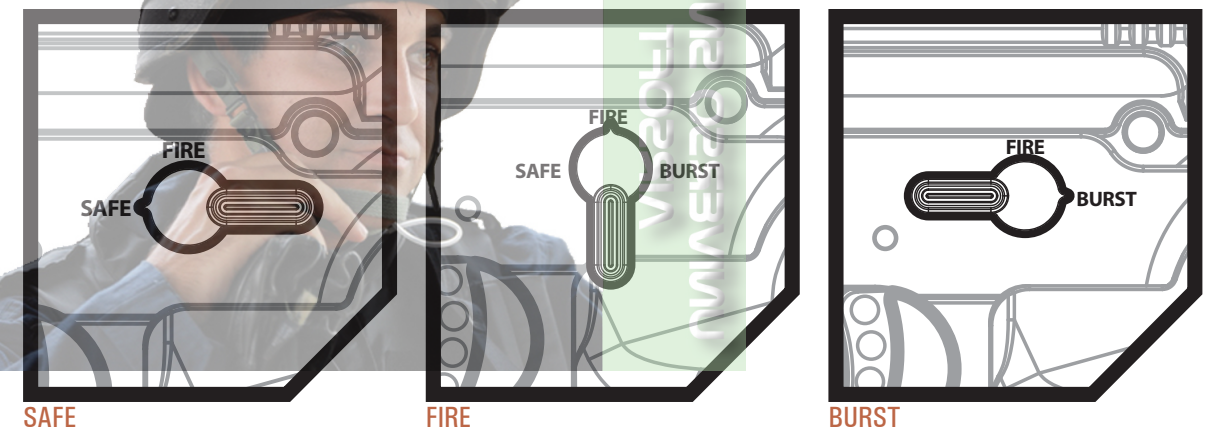
GREEN GAS SAFETY TIPS

- Check the gas canister for any cracks or leaks before using.
- Do not expose the gas canister to temperatures over 40°C (104°F).
- Do not place the gas canister directly over fire.
- Do not heat the gas canister.
- Keep the gas canister out of direct sunlight.
- Do not leave the gas canister in any type of vehicle.

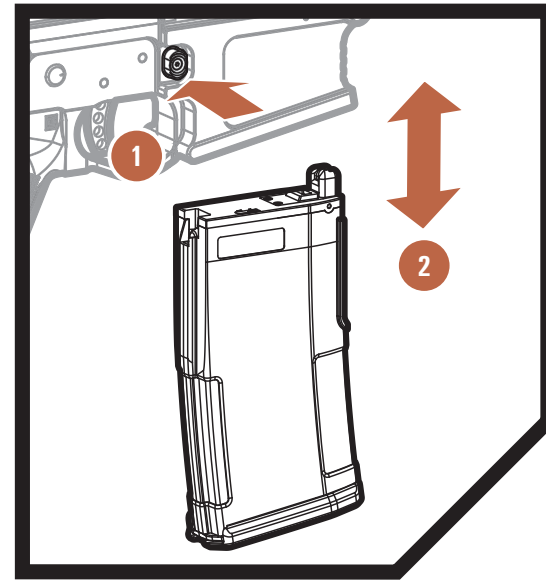
BASIC GUN SAFETY TIPS

- Always treat the Airsoft gun as if it is loaded regardless of its actual loaded condition.
- Keep the Airsoft gun pointed in a safe direction.
- Keep your finger straight, off the trigger and outside the trigger guard until you've made the decision to shoot.
- Always be sure of your target, what is between you and the target, and what is beyond the target.
- Do not store the Airsoft gun with a loaded magazine.
- Handle the Airsoft gun responsibly.

FIRE CONTROL SETTINGS



The PTS Mega Arms MML MATEN .308 GBBR has three fire control settings: **SAFE** (the gun cannot be fired), **FIRE** (the gun will fire once per trigger pull), and **BURST** (the gun will fire one 3 round burst per trigger pull).



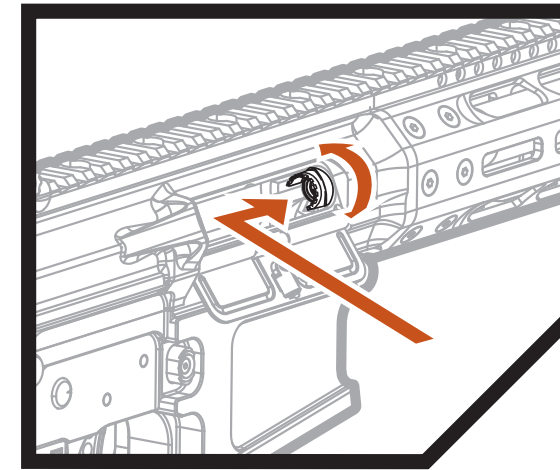
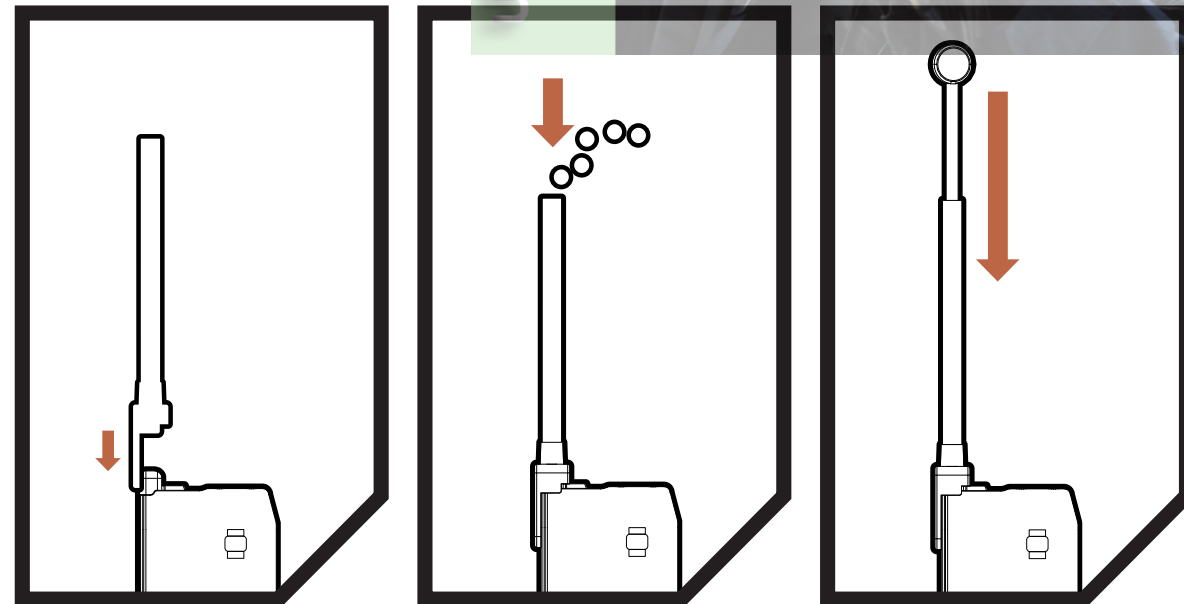
LOADING AND UNLOADING THE MAGAZINE

Insert the magazine into the magazine well of the lower receiver. When the magazine is fully seated, the magazine catch will lock the magazine in place.

- Give the magazine a light downward tug to ensure it is securely locked in.
- Pull the charging handle back and then release it to chamber the first round.
- If the bolt is locked back, it can be released by pulling back the charging handle, or by pressing the bolt catch release button located on the left side of the receiver.
- (1) Depressing the magazine release button on right side of the PTS Mega Arms MML MATEN .308 GBBR releases the magazine (2) which can then be removed from the gun.

LOADING THE AIRSOFT MAGAZINE

- Fit the included BB loader over the magazine feed lips.
- Load the 6mm Airsoft BBs into the BB loader's BB tube.
- Insert the plunger rod into the top of the BB loader and push down to load BBs into the magazine.
- Use only high quality 6mm Airsoft BB pellets (0.2g or heavier) with your PTS Mega Arms MML MATEN .308 GBBR.
- Never reuse BBs or use low quality BBs to prevent damage to your gun.
- Never overload BBs into the magazine.

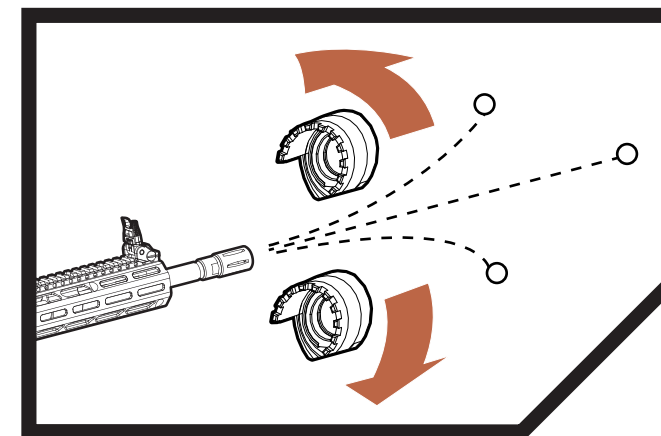


HOP-UP SYSTEM

The Hop-Up device is a standard feature on all PTS GBBR series products, giving Airsoft BBs greater stability, further travel, and increased accuracy. Airsoft BBs are light-weight projectiles and can be affected by wind when fired. Since the inner barrel on Airsoft guns do not use traditional rifling, the Hop-Up device is used to apply backspin onto the BBs as they are shot to counteract the effects of wind and gravity. With the Hop-Up system, the trajectory of the Airsoft BBs can be adjusted according to the shooting environment or surroundings.

HOP-UP ADJUSTMENT

- Test fire the gun in a safe direction to determine the amount of hop-up needed (the amount of backspin that needs to be applied). Different weight BBs may need different amounts of hop-up.
- Remove the magazine from the gun.
- The hop-up unit is accessible via the PTS Mega Arms MML MATEN .308 GBBR's shell ejection port. Pull back the charging handle and press up on the bolt catch lever to lock the bolt carrier assembly to the rear.
- The hop-up unit adjustment ring is located within the barrel chamber.
- Insert the hop-up adjustment wrench into the chamber.
- Turn the adjustment ring to the left (counter-clockwise) to give the BB more hop-up.
- If the BBs are climbing too high, turn the adjustment ring to the right (clockwise) to reduce the hop-up.
- Test fire the gun in a safe direction and adjust as needed for optimal performance.
- The ideal setting has been achieved when the rounds fired maintain a relatively flat trajectory, essentially a "sweet spot" between too much and too little hop-up. Keep in mind that hop-up settings will vary from one ammo weight to another (e.g. 0.2 gram BBs versus 0.3 gram BBs). If the hop-up has been adjusted for ideal shot trajectory with a certain weight BB, changing the weight of the BB may require adjustment of the hop-up setting.



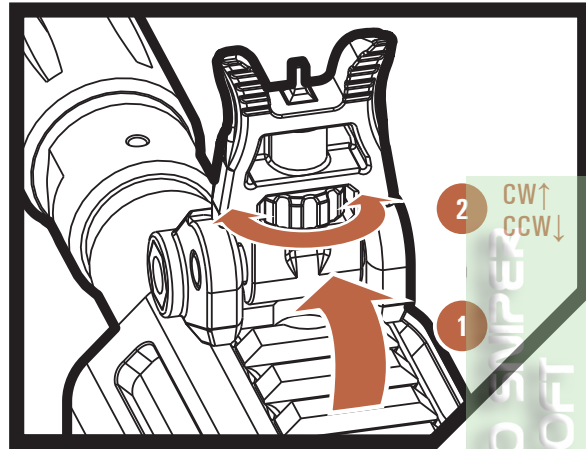
WARNING:

Do not release the bolt with the wrench still in the chamber. It can damage the hop-up device and chamber components. Do not over torque the hop-up adjustment wrench. Doing so may damage the hop-up cylinder.

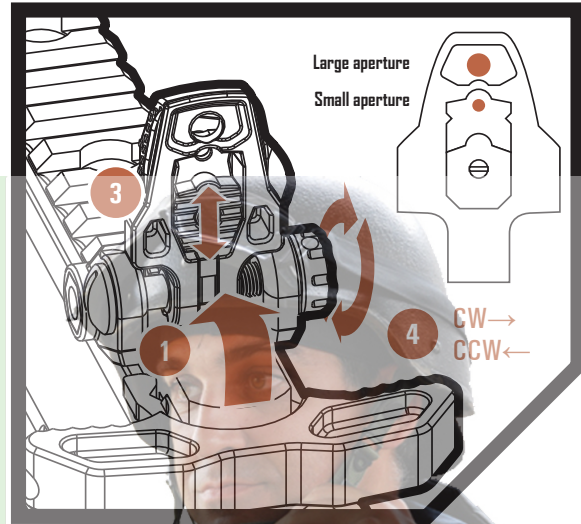
FLIP UP INTEGRATED FRONT SIGHT AND REAR BACK-UP SIGHT

The PTS Mega Arms MML MATEN .308 GBBR features both an Integrated Front and Rear Sights. **(1)** To flip up both front and rear sights, simply pull their pivoting sections up to the ready position. **(2)** The front sight post can be raised or lowered to adjust for elevation by rotating the adjustment dial accordingly. (Rotate Clockwise to raise the front sight post,

Counter-Clockwise to lower it.) The rear sight features dual same-plane flip apertures, a larger aperture for quicker sight picture acquisition and the smaller aperture for greater accuracy at longer distances. **(3)** The smaller aperture located on the inner plate at the center of the rear back-up sight can be raised into position or lowered out of view as needed. **(4)** The rear sight can be adjusted to the left or right by rotating the adjustment dial accordingly. (Rotate Clockwise to move the rear sight right, Counter-Clockwise to move it left).



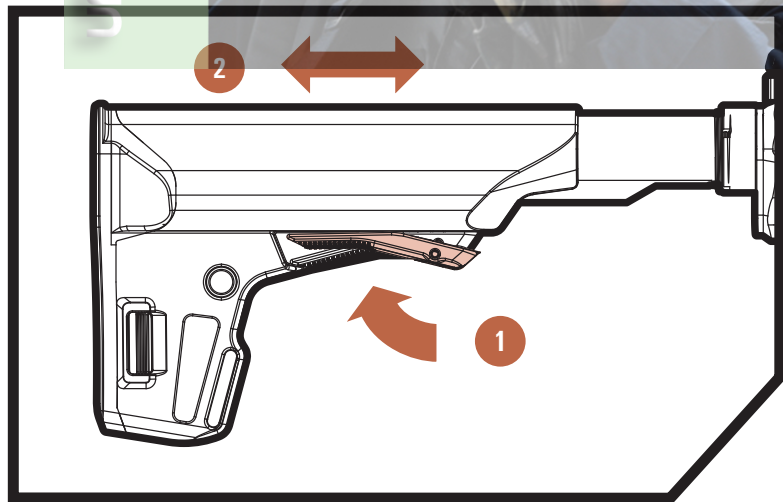
Front Back-Up Sight



Rear Back-Up Sight

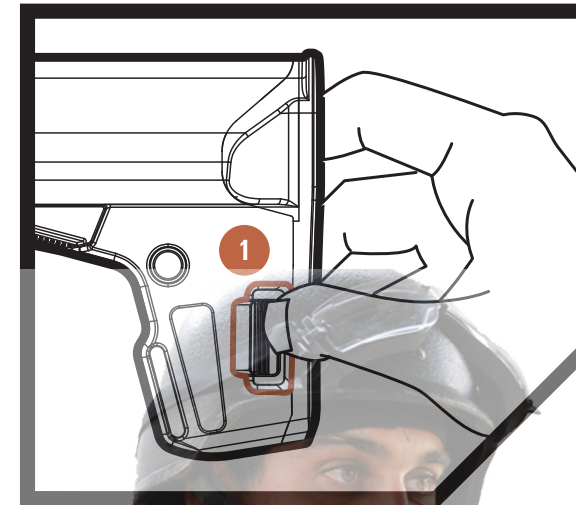
ADJUSTING THE STOCK

The PTS Mega Arms MML MATEN .308 GBBR comes with an EPS Enhanced Polymer Stock. **(1)** To adjust the position of the stock, depress the Stock Extension Lever at the underbelly of the stock and **(2)** slide the stock towards or away from the receiver to the desired length of pull.

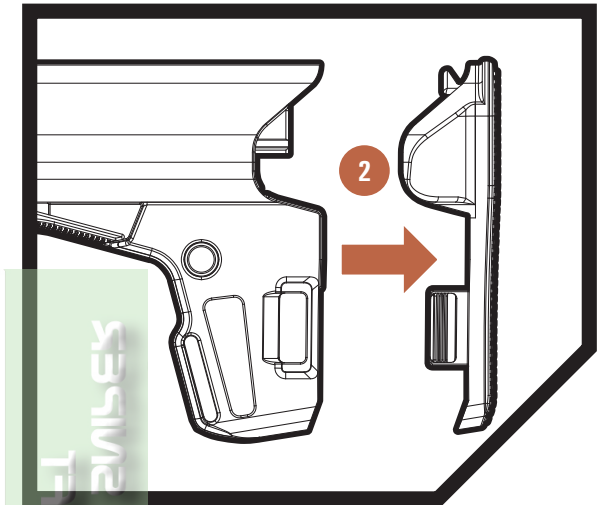


EP SERIES STORAGE COMPARTMENTS

- There are two storage compartments located within the EP Stock and EP Grip for usage of general storage such as CR123 batteries, tools, spare parts etc.
- To open the EPS storage compartment, **(1)** depress both buttons on either side of the stock near the buttpad. Keeping the buttons depressed, **(2)** pull the buttpad away from the stock.
- To open the EPG storage compartment, **(1)** at the base of the grip, firmly hold down the latch whilst putting support on the other end of the base to **(2)** pull out the lid of the grip.



EPS Enhanced Polymer Stock



EPG Enhanced Polymer Grip

DISASSEMBLY

- Remove the magazine.
- Pull back and release the charging handle to reset the hammer. Note: The bolt must be forward in the “FIRING” position.
- Set the safety selector to SAFE.

REMOVING THE BOLT CARRIER GROUP

- Push the Rear Takedown Pin as far as it will go from the left side of the receiver (the pin is captured and will not come out completely).
- Pivot the Upper Receiver open.
- Push in the Pivot Pin at the front of the Lower Receiver as far as it will go from the left side of the receiver.
- Separate the Upper Receiver from the Lower Receiver.
- Remove the Bolt Carrier and charging handle to the rear.

Reverse disassembly actions to reassemble the Mega Arms MML MATEN .308 GBBR.

CLEANING PROCEDURE

The bolt carrier assembly and inner surface of the barrel should be cleaned after each shooting session. Regular cleaning prevents the effects of BB residue and dirt buildup that can hinder performance or jam the gun.

CLEANING THE BARREL

Occasional barrel cleaning of the PTS Mega Arms MML MATEN .308 GBBR is highly recommended to ensure optimal performance.

- Ensure the safety is engaged.
- Remove the magazine and clear the chamber of loaded BBs.
- Disable the hop-up by rotating the hop-up unit ring to the OFF position (see Hop-Up adjustment section).
- Separate the upper and lower receiver (see Disassembly section).
- Using a 1” x 0.5” cotton cloth strip, insert one end of the cloth into the hole in the cleaning rod and wind the cloth around the rod.
- Gently insert the cleaning rod through the front of the inner barrel to clean the barrel’s bore. Push the rod all the way through and out the rear of the upper receiver. Repeat as necessary.
- It is NOT recommended to use any cleaning solutions nor silicone oil sprays to clean the inner barrel. A dry cloth strip should suffice.

CLEANING THE RECEIVER COMPONENTS

- Use a clean cotton cloth to wipe down the surface of the charging handle and bolt carrier assembly.
- Use a clean cotton cloth to clean inside the upper receiver and magazine well.
- Clean the remainder of the Airsoft gun with cotton-tipped swabs, or general purpose cleaning cloths.
- Place a small amount of silicone oil* on:
 - The length of the charging handle
 - The rails and cylinder of the bolt carrier
 - The hammer roller
 - The magazine seals and o-rings. Unload BBs from the magazine. Make sure the magazine is free of gas before lubricating the magazine’s charging valve and release valve.

* There are various different brands and types of silicone oil lubricant on the retail market for various different end uses, however we recommend using only silicone oil lubricant manufactured specifically for airsoft GBBR purposes. Never use WD-40 or other types lubricants as that may damage the components.

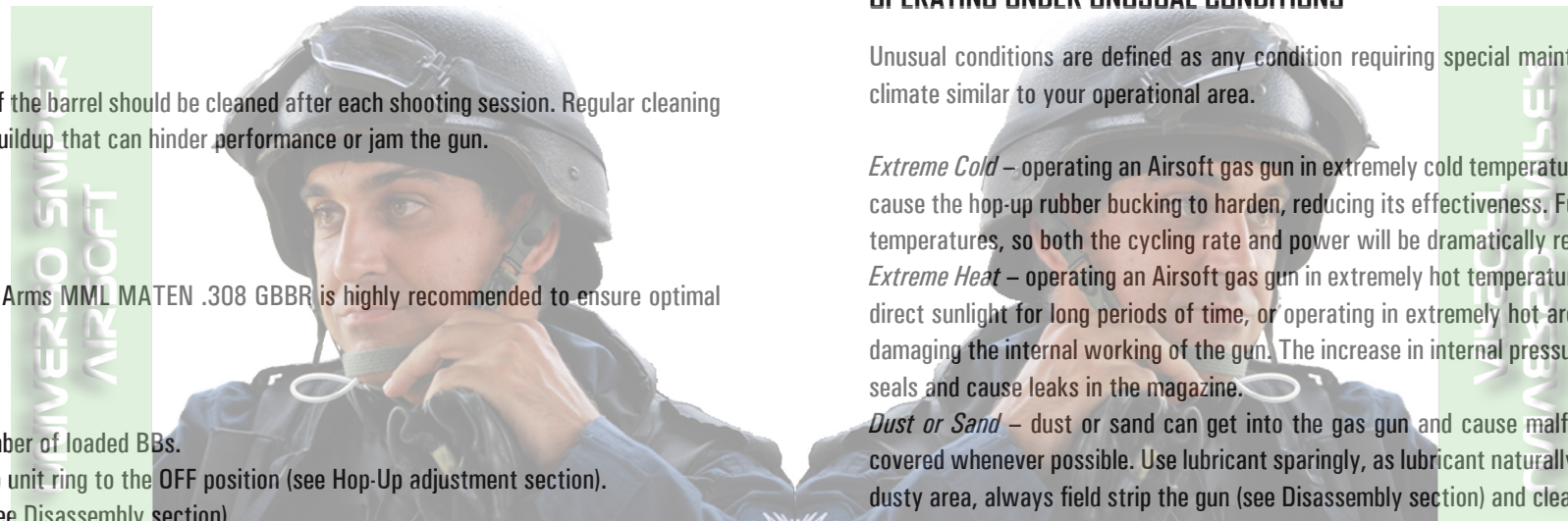
OPERATING UNDER UNUSUAL CONDITIONS

Unusual conditions are defined as any condition requiring special maintenance. Perform maintenance outlined for the climate similar to your operational area.

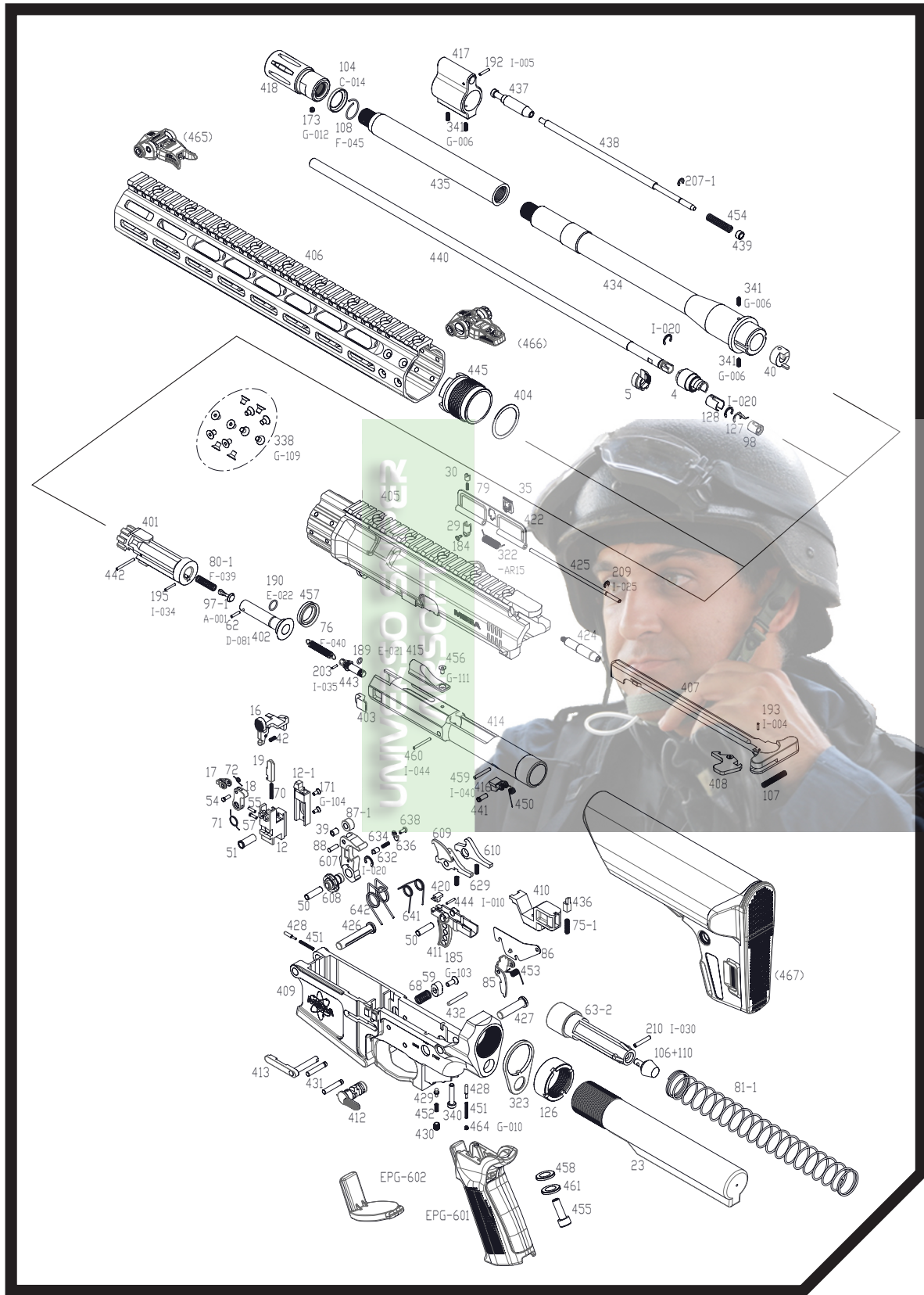
Extreme Cold – operating an Airsoft gas gun in extremely cold temperatures is not recommended. Cold temperatures will cause the hop-up rubber bucking to harden, reducing its effectiveness. Furthermore, gas will not expand properly in cold temperatures, so both the cycling rate and power will be dramatically reduced.

Extreme Heat – operating an Airsoft gas gun in extremely hot temperatures is also not recommended. Leaving the gun in direct sunlight for long periods of time, or operating in extremely hot areas will cause the gas to over expand, possibly damaging the internal working of the gun. The increase in internal pressure from the expanding gas can also damage the seals and cause leaks in the magazine.

Dust or Sand – dust or sand can get into the gas gun and cause malfunctions and/or excessive wear. Keep the gun covered whenever possible. Use lubricant sparingly, as lubricant naturally attracts dirt and other particles. After use in a dusty area, always field strip the gun (see Disassembly section) and clean any areas you can reach with a soft, lint-free and cotton-tipped swabs.



EXPLODED VIEW



PTS MEGA ARMS MML MATEN .308 GBBR PARTS LIST CATALOGUE

4	Adjust Ring	128	Hop Color 05 (D-072)	430	SP Catch Screw
5	Adjust Ring Guide	171	Hex M2.5x5 (G-104)	431	Frame Pin
12	Mechanism Block	173	Hex M3x4 (G-102)	432	FA. Sear Pin
12-1	Mechanism Block-B	184	Hex M2x4	434	Barrel
16	Bolt Catch	185	Hex M3x8 (G-103)	435	Barrel A
17	Impact Hammer	189	O Ring Ø4x1 (E-021)	436	Stock Buffer End
18	Impact Hammer Frame	190	O Ring Ø8x1 (E-022)	437	Gas Block Nozzle
19	Impact Hammer Lock	192	Spring Pin Ø2x10 (I-005)	438	Gas Piston Rod
23	Stock Buffer	193	Spring Pin Ø1.5x6 (I-004)	439	Gas Piston Rod Ring
29	Port Cover Stopper	195	Spring Pin Ø1.5x12 (I-034)	440	Inner Barrel
30	Adjust Ring Guide Stopper	203	Spring Pin Ø1.5x4 (I-035)	441	Bolt Finger Sleeve
35	Port Cover Part	207-1	C Ring	442	Piston Pin
39	Hammer Roller Set Pin SL	209	E Ring Ø2.5 (I-025)	443	SP Hanger
40	Adjust Ring Guide Stopper	210	Spring Pin Ø2x18 (I-030)	444	Trigger Parts Set Pin
42	Bolt Catch SP	322	Port Cover SP	445	Barrel Nut
50	Frame Pin Sleeve	323	Stock Plate	450	Bolt Finger SP
51	Mechanism Block Sleeve	338	Hex M4x6 (G-109)	451	Pivot Plunger SP
54	Impact Hammer Pin	340	Hex M4x16	452	SL. Plunger SP
55	Stopper Pin	341	Hex M3x8 (G-006)	453	FA. Sear SP
57	Bolt Catch Set Pin	401	Piston Body	454	Gas Piston Rod SP
59	Mg. Catch Button	402	Piston Inner	455	EPG Grip Screw
62	Cylinder SP Pin (D-081)	403	Piston Stopper	456	Hex M3x6 (G-111)
63-2	Recoil SP Guide AR10	404	Barrel Lock Ring Plate	457	Piston Ring Ø23
68	Mg. Catch SP	405	Upper Frame	458	EPG Grip O-Ring
70	Impact Hammer Lock SP	406	AR-10 Hand Guard 14in	459	Spring Pin
71	Impact Hammer Frame SP	407	Charging Handle	460	Spring Pin Ø2x20 (I-044)
72	Impact Hammer SP	408	CH. Lock Lever	461	EPG Grip O-Ring
75-1	Selector Plunger SP	409	Lower Frame	464	Hex M3x3 (G-010)
76	Cylinder SP (F-040)	410	Lower Frame Inner	465	Front Sight Assy
79	Port Cover Lock SP	411	Trigger	466	Rear Sight Assy
80-1	Plug SP (F-039)	412	Select Lever	467	Crane Stock Assy
81-1	Recoil SP	413	Mg. Catch	601	EPG Grip
85	Full Auto Sear	414	Bolt	602	EPG Grip End
86	Pin Lock Plate	415	Bolt Parts	607	Hammer
87-1	Hammer Roller	416	Bolt Finger	608	3Burst Count Shaft
88	Hammer Roller Set Pin	417	Gas Block	609	3Burst Count Sear
97-1	Plug (A-001)	418	Flash Hider	610	Sear
98	Rubber Chamber (E-019)	420	Trigger Parts	629	Sear SP
104	Muzzle Device Collar (C-014)	422	Port Cover	632	3Burst Catch Pin
106	R.SP.G. Cushion	424	Guide Pin	634	3Burst Catch Pin SP
107	Co.H.Lock Lever SP	425	Port Cover Set Pin	636	3Burst Hammer Plate
108	Spring Tensioner	426	Pivot Pin	638	Hex M2.5x6
110	R.SP.G. Cushion Shaft	427	Take Down Pin	641	Trigger SP
126	Buffer Lock Ring	428	Pivot Plunger	642	Hammer SP
127	Hop SP M4 (C-010)	429	SL. Plunger	I-020	C Ring



PROFESSIONAL TRAINING & SIMULATION

As the worldwide exclusive licensee of a wide variety of airsoft products and brands, PTS prides itself in helping create the most authentic experience possible - both on and off the battlefield. Nothing else handles like PTS because nothing else is made like PTS, guaranteed. Each and every brand in the PTS family must pass rigorous testing requirements. And it's only the most realistic, precision engineered and innovatively designed that make the cut. In the end, you can be assured that the PTS family of brands offers a singular opportunity to own one of the finest, most trusted, field-tested brands ever assembled. Welcome to the PTS experience.



WARNING!

User restricted to 18 years of age or older.

You must read through this instruction Manual before operating this airsoft gun.

Always wear proper eye and face protection.

Obey all your local laws and regulations regarding ownership and usage of airsoft guns.

Misuse or careless use may result in serious injury or other consequences.

MADE IN TAIWAN

www.ptssyndicate.com
sales@ptssyndicate.com