



UNIVERSITY SNIPER
AIRSOFT

King Arms

Please read through all instructions before operating this AEG



L1A1 Handling and Instruction Manual

**AUTOMATIC
ELECTRIC
GUN SERIES**

 **WARNING**

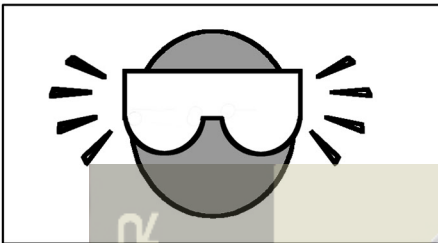
- User of this Air Electric Gun must be 18 years of age or older.
- The shooting range of the plastic BB bullet can reach up to 100 meters, beware at all time. Careless shooting may cause eye or other injuries.
- Read through this Handling and Instruction Manual carefully before operation of this AEG

⚠️ WARNING ⚠️

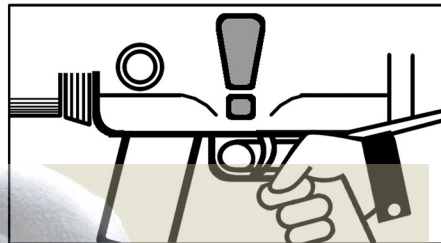
Read this manual before operating the AEG

This sport gun is developed for recreational use and it is capable to shoot BB bullets as a projectile so please be caution when handling or using this gun. Careless shooting or improper use is dangerous, and it can cause damage or injury on human or animal. Make sure you read through this manual and all the warnings before operating this gun.

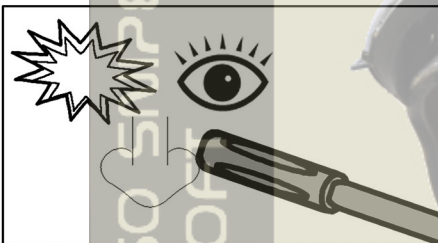
Operating this airsoft gun must be aged over 18 years old. Careless shooting or improper operation are dangerous. Users must understand and follow the laws of country before possessing or operating this product.



Always wear eyes protective gear.



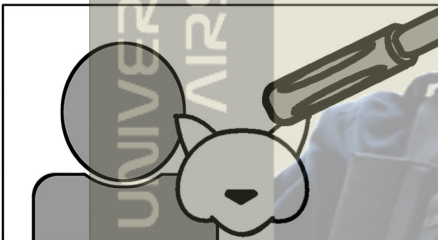
Avoid pulling the trigger carelessly.



Never look into the gun muzzle.



Always put the gun in a case or bag when you are carrying it.



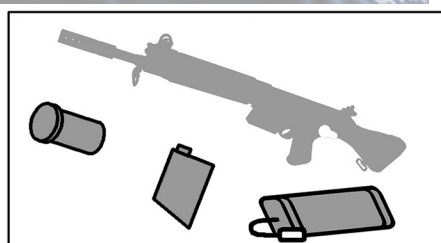
Never point or shoot the gun towards a person or an animal.



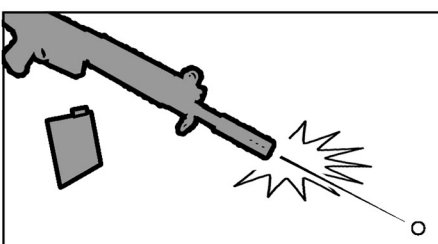
Always put your finger away from the trigger except when you are ready to fire the gun.



Store the air gun at places out of reach by children.



Always apply safety habits:
-Set selector lever at the Safety position.
-Attach the protective plug to the muzzle.
-Remove the magazine.
-Remove the battery from the airgun.



Even if the magazine is removed, there might be remaining BB bullet in the gun which still can be shooting.

Caution

- Read through this manual before shooting. Pay special attention for safe operation.
- Remember the warnings and be cautions at all times
- Failing to do so may cause injury, or damage to gun.

Charging the Battery

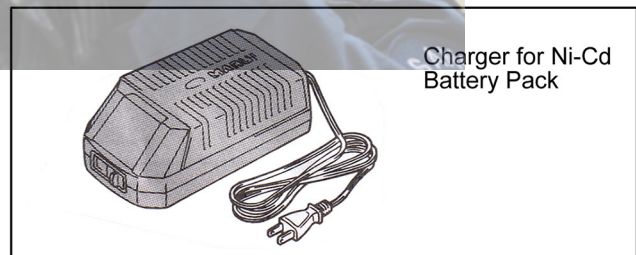
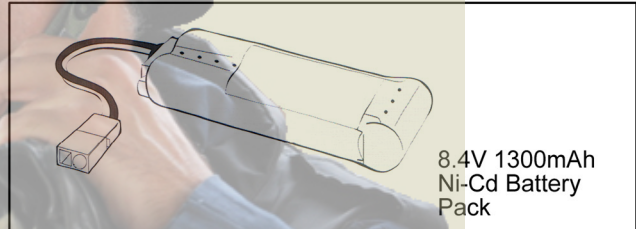
■ Charging the Battery. (Battery and charger sold separately)

Use the specified battery for the gun.
8.4V 1300mAh Battery.

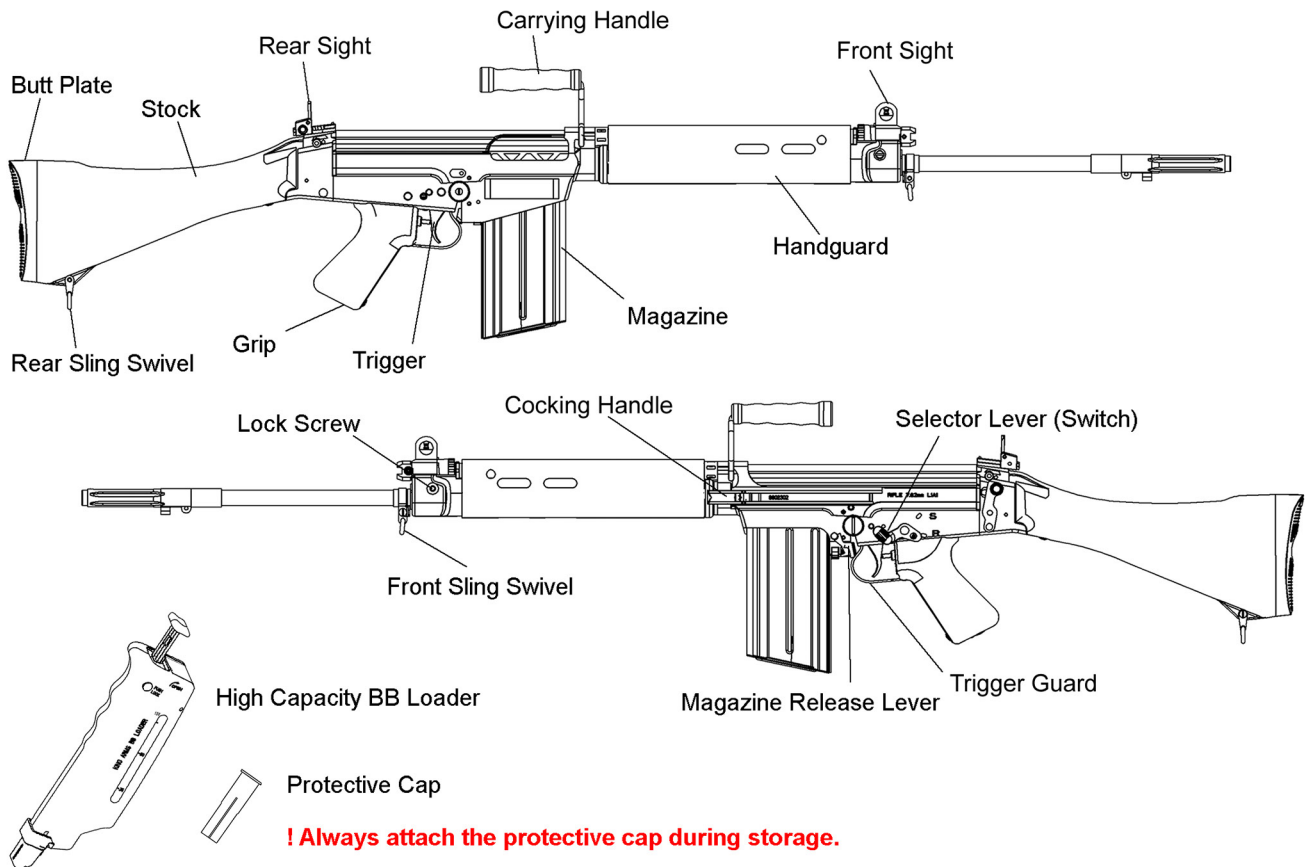
Avoid use of non-standard battery or the original designed functions may not be working.

■ Use the specified battery charger which is applicable to the above battery.

Use only the correct battery and charger. We would not be held responsible for any accidents or damages caused by improper or incorrect operation, or usage of non-specified battery.



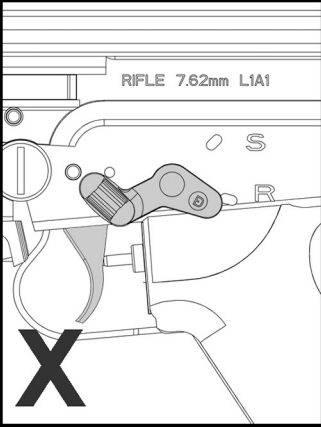
Component Names



Selector Lever and Safety Setting

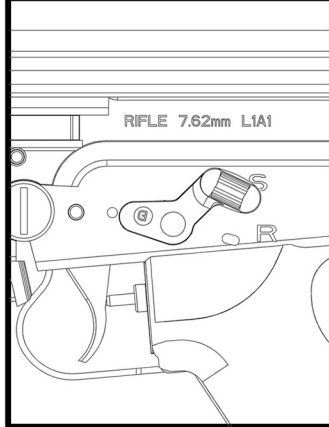
Warning

To prevent malfunction of the switch do not change the selector lever from semi to full auto while pulling the trigger.



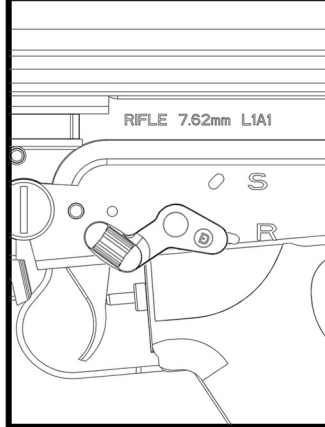
Safety Setting

Always set the lever to the Safety position and attach the protective cap when you are not firing the gun or during storage.



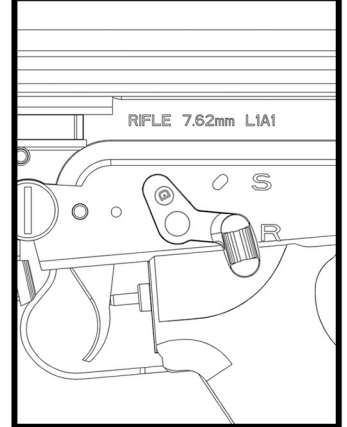
Semi Auto (Single Shot)

The gun will fire one shot each time when the trigger is pulled.



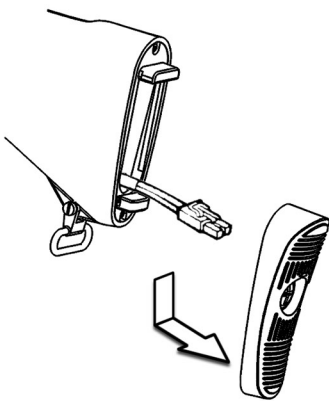
Full Auto (Automatic Firing)

The gun will fire automatically while the trigger remains pulled.



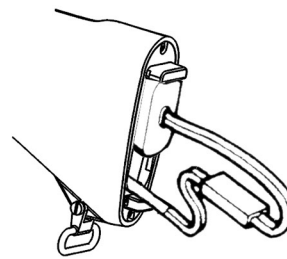
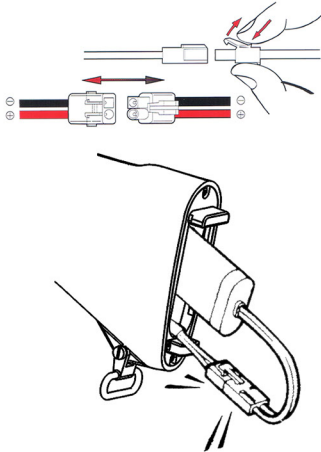
CAUTION: Set the selector lever correctly in position; otherwise, malfunction may occur.

Setting the Battery



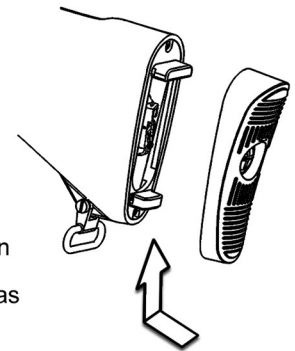
1. Remove the butt plate by pressing it downwards and pull out the connector.

2. Insert the battery in the stock and connect connectors.



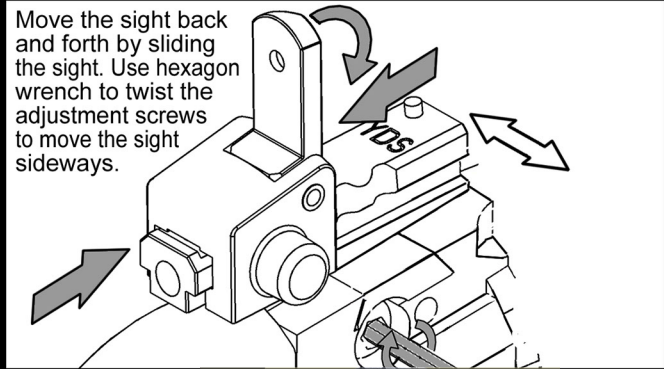
3. Insert connectors and cords in the space between battery and stock. (bend cords in 'S' shape as picture shown)

4. When battery and cords are in place, reinstall butt plate back on the stock.

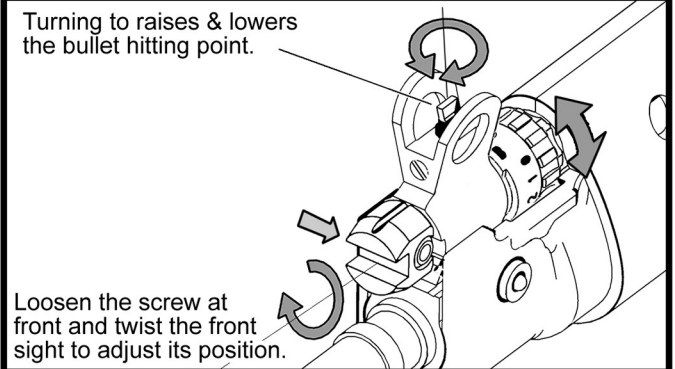


Movable Parts

Move the sight back and forth by sliding the sight. Use hexagon wrench to twist the adjustment screws to move the sight sideways.



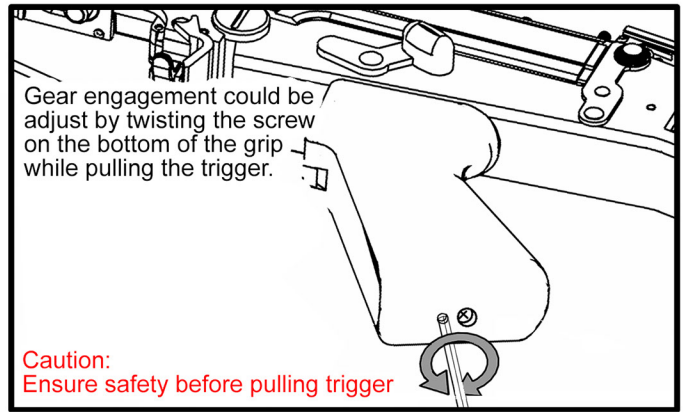
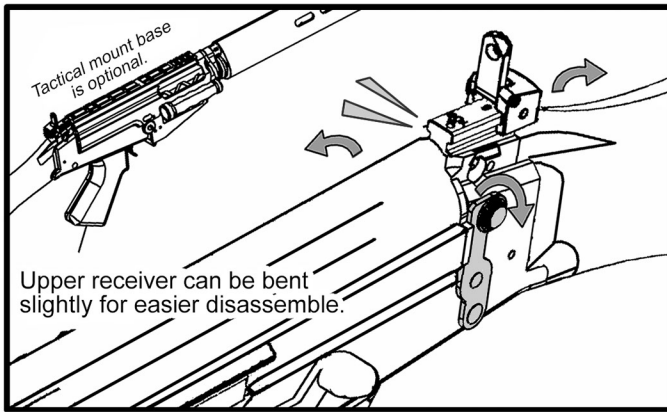
Turning to raises & lowers the bullet hitting point.



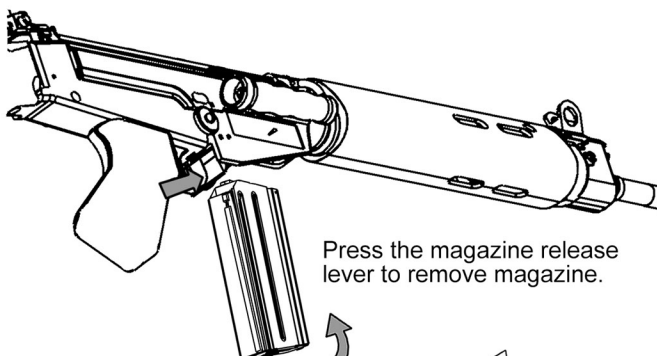
Loosen the screw at front and twist the front sight to adjust its position.



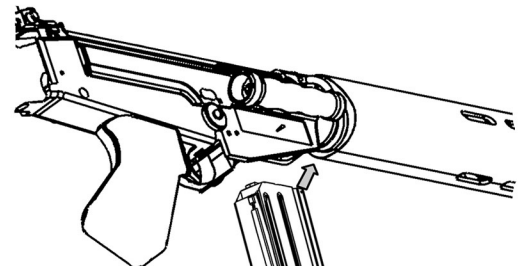
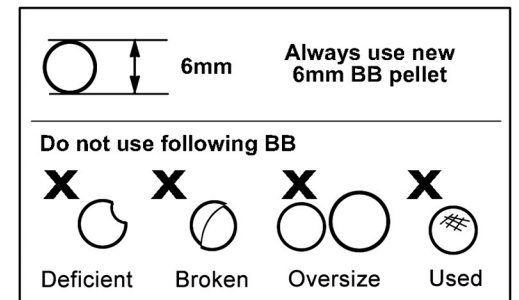
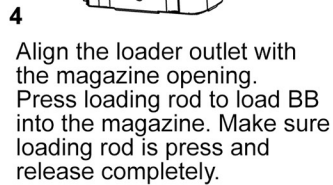
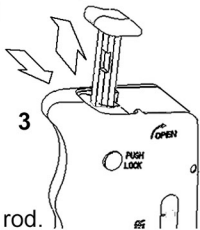
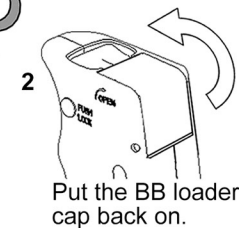
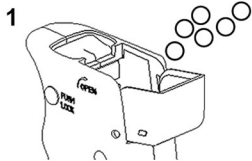
Movable Parts



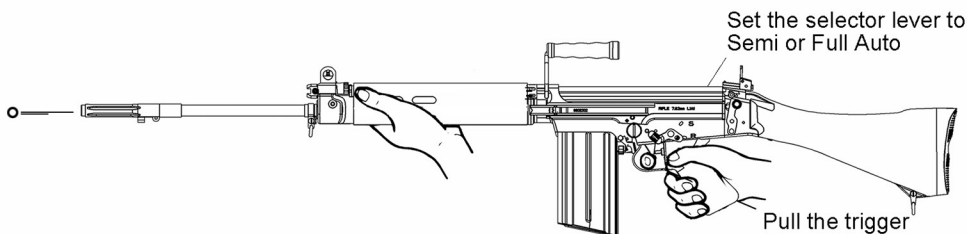
Setting the Magazine



Inserting BB pellet



Firing



- Change the battery if the fire-rate becomes slow.
- It is normal that a blank fire may occur at the first shot even if the gun is loaded.
- There are possible cases which non-firing may occur after trigger is pulled in the semi-auto mode. To solve this issue, fire 5 to 10 bullets in the full auto mode first, and then switch back to semi-auto mode.
- It is normal that some smell may be generated from the motor for a while when a new gun is operating.
- It is normal that the hop-up function may be unstable for 200-300 pullets after silicone oil has been applied on hop up unit.

WARNING

Make sure you followed all safety instructions before firing the gun.

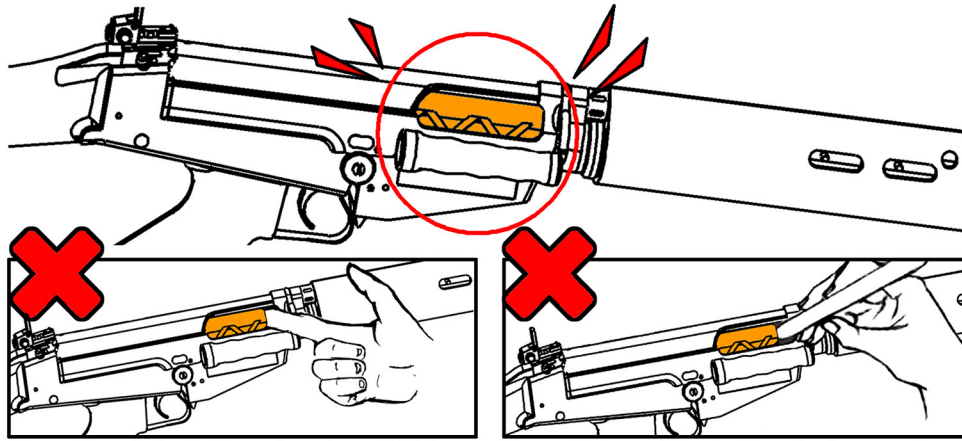
Remove the protective cap only when you are ready to fire.

After firing about 500 bullets, rest the gun for 5 to 10 minutes.

Always attach the protective cap and set the selector lever to Safety position when the air gun is not in use.



Bolt Carrier



Do not touch the bolt carrier when AEG is connected to battery.

Do not interrupt the bolt carrier's operation.

⚠ WARNING ⚠

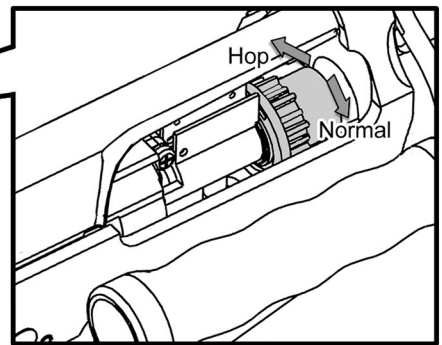
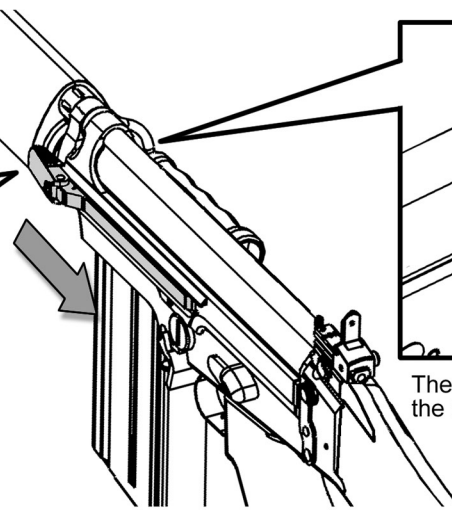
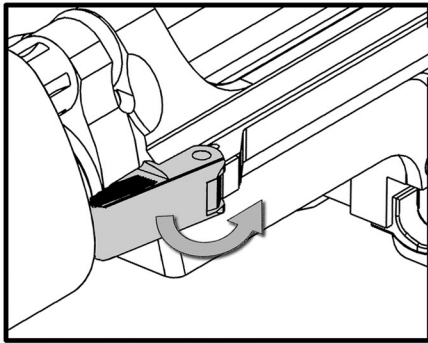
The bolt carrier action should not be interfered.

Do not try to stop the bolt carrier when it is operating, serious injury might occur if the bolt carrier is blocked.

Forcing bolt carrier to stop during operation will lead to gun malfunction.

Variable Hop Up System

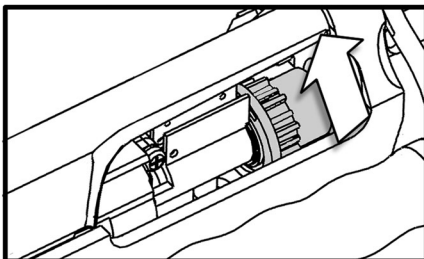
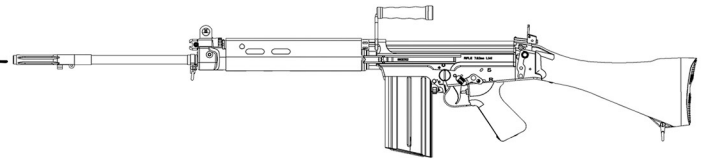
Flip the cocking lever up, perform cocking action and cocking handle slide will move backward. At the same time, the ejection port will be open on the other side.



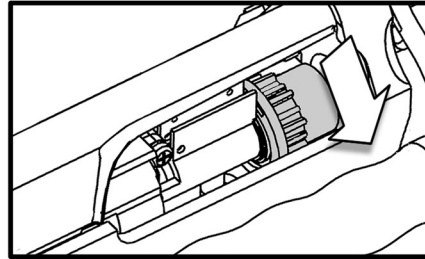
The variable hop-up could be seen on the inside of the ejection port.

Adjust Hop Up

- X** ○ Excessive hop up (Turn the dial towards Normal)
- O** ○ Best Position
- X** ○ Not enough hop-up (turn the dial towards Hop)



Not enough hop
Gradually turn the dial toward hop

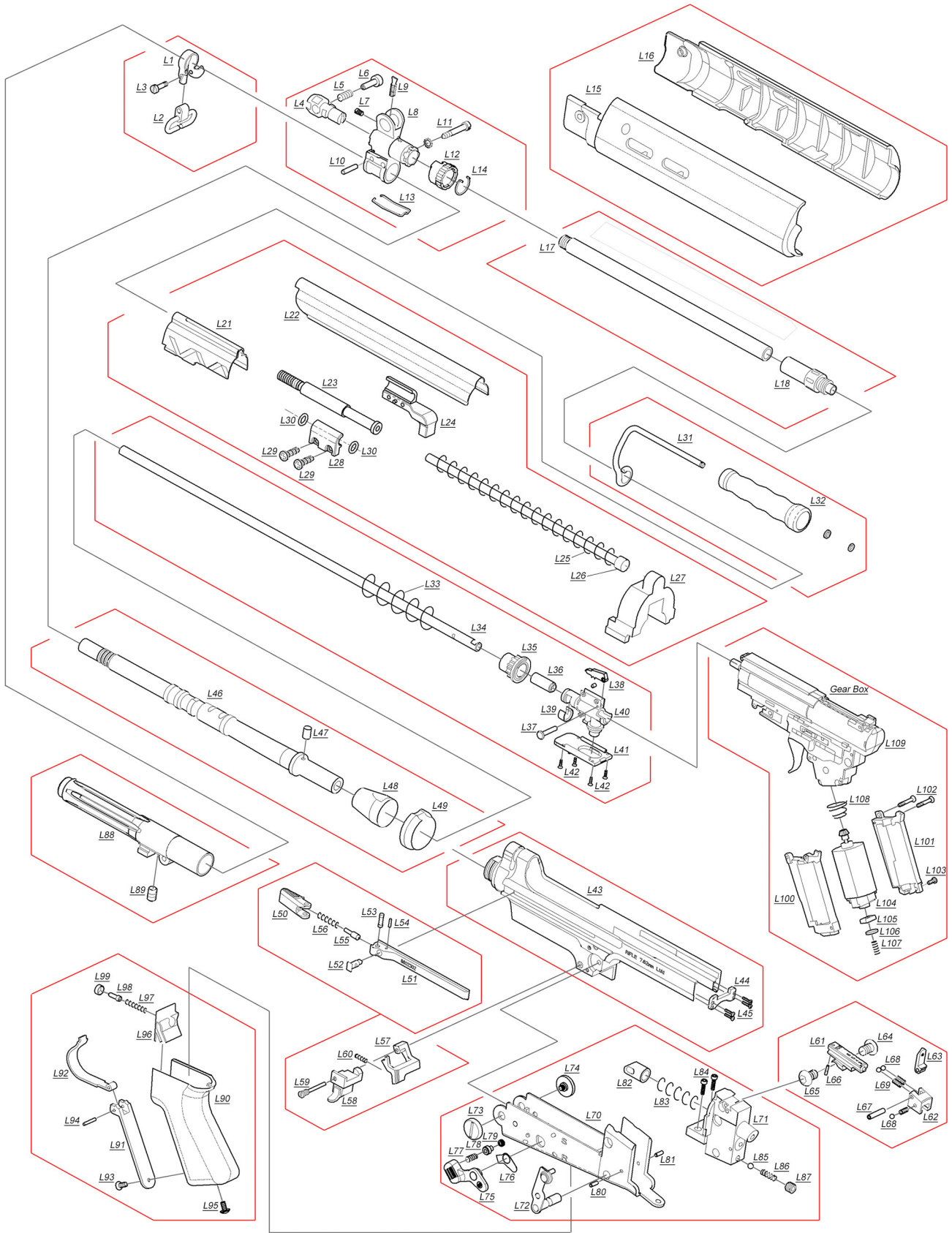


Excessive hop up
Turn the dial toward Normal

- Turning the hop-up dial excessively can cause bullet clogging. Keep pulling the trigger while bullet being clogged will damage the piston and gears.
- If bullet clogging occurs, immediately stop firing the gun, return the hop dial to the Normal position and remove clogging bullets using a clearing rod (not included in this package).
- Make sure to return the hop-up to normal position when removing clogged bullets. Otherwise, the chamber maybe damaged.
- Never use used or dirty bullets. Dirty chamber will result in unstable hop-up.
- Lacking or over spraying of silicone oil will also lead to unstable hop-up.

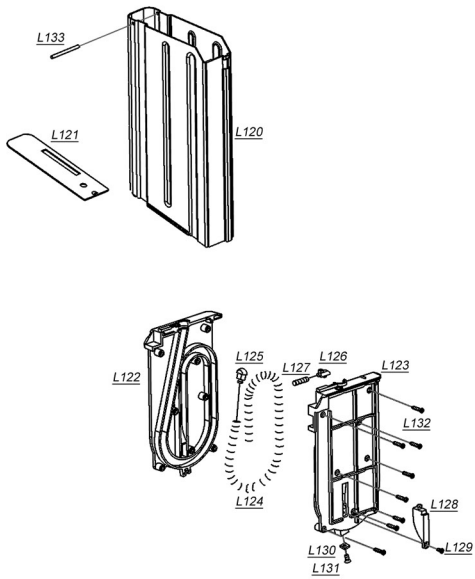


Explosive Diagram

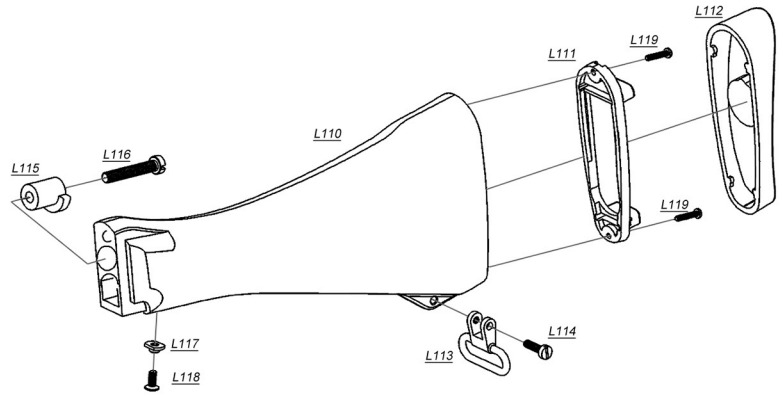


Explosive Diagram

Magazine



Stock



Thank you very much for buying King Arms product

Airsoft Gun Parts and Accessories Manufacturer



<http://www.KingArms.com>