

Energie inférieure
ou égale à 1.2 Joule

00117



Please read through all instructions before operating this AEG

King Arms AK Series

The main advantages of the Kalashnikov rifle are its simple design, fairly compact size and adaptation to mass production. It is inexpensive to manufacture, and easy to clean and maintain; its ruggedness and reliability are legendary. The AK-47 was initially designed for ease of operation and repair by glove-wearing Soviet soldiers in Arctic conditions. The large gas piston, generous clearances between moving parts, and tapered cartridge case design allow the gun to endure large amounts of foreign matter and fouling without failing to cycle. This reliability comes at the cost of accuracy, as the looser tolerances do not allow for precision accuracy. Reflecting Soviet infantry doctrine of its time, the rifle is meant to be part of massed infantry formations. The average service life of an AK-47 is 20 to 40 years depending on the conditions of use. The notched rear tangent iron sight is adjustable, and is calibrated in hundreds of milliradians for elevation in the field. Windage adjustment is done by the armorer. The rifle is designed to be fired at any close target with accuracy. The Moin-Nagan rifle was designed for the rear of the rifle and the operation of the rifle. The rifle is designed to be fired at any close target with accuracy. The Moin-Nagan rifle was designed for the rear of the rifle and the operation of the rifle.

UNIVERSO SUPER AIRSOFT

WARNING

- User of this Air Electric Gun must be 18 years of age or older.
- The shooting range of the plastic BB bullet can reach up to 100 meters, beware at all time. Careless shooting may cause eye or other injuries.
- Read through this Handling and Instruction Manual carefully before operating this AEG.

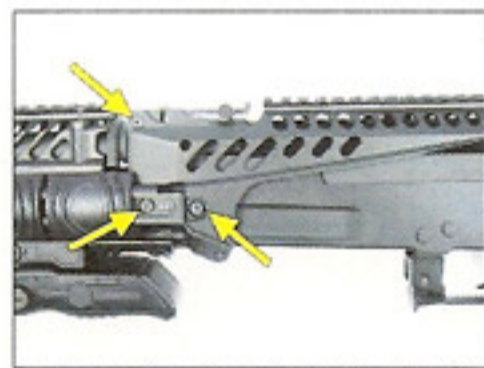


CALIBER : 6 mm BB bullet
MAGAZINE CAPACITY : 600 rounds
METHOD OF OPERATION : Electric power
BATTERY TYPE : AK stick type battery
WEIGHT W/O MAGAZINE : 3.04 kg
LENGTH (Stock retracted) : 71 cm
LENGTH (Stock extended) : 95 cm
MUZZLE VELOCITY : 330 FPS (Japan Ver.: 78-85 m/s)
MAIN MATERIAL : Aluminum; Nylon fiber

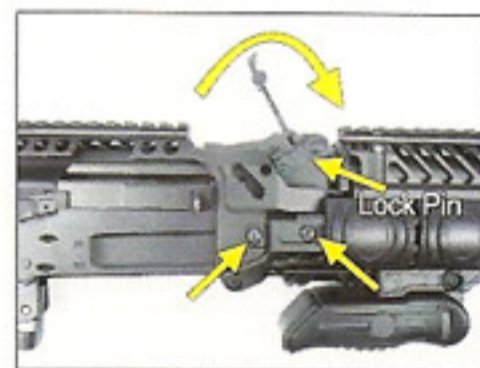


Setting the Battery

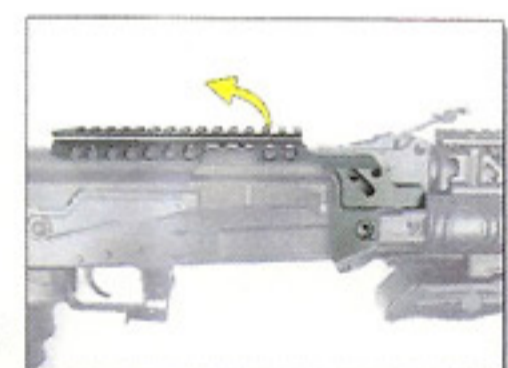
Always treat your battery with care, do not attempt to disassemble or modify the battery. Do not alter the cord or plug. Make sure the battery is in good shape before charging. Use standard charger when charging, charging electric current should be under 1.5A. Never charge the battery if it is damaged. Stop charging when battery is overheat.



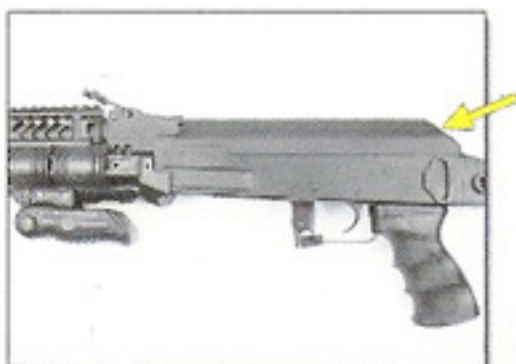
1. To install battery, first remove the X47 top rail by loosening screws indicated.



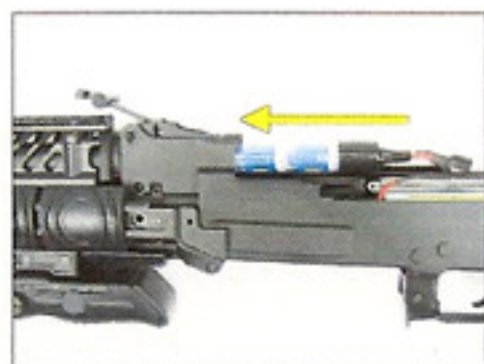
2. After loosen all the screws from both sides of the top rail, remove the indicated lock pin and flip the rear sight all the way toward the front end.



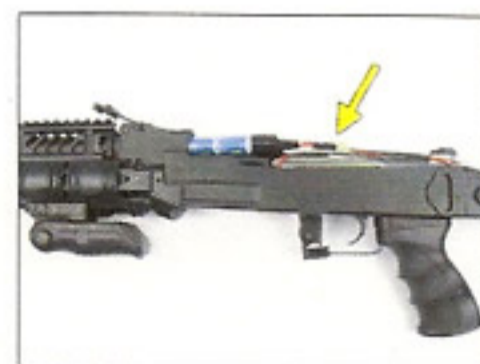
3. Take the top rail away from AEG.



4. Open the top cover by releasing the lock indicated.



5. Insert battery into battery compartment.



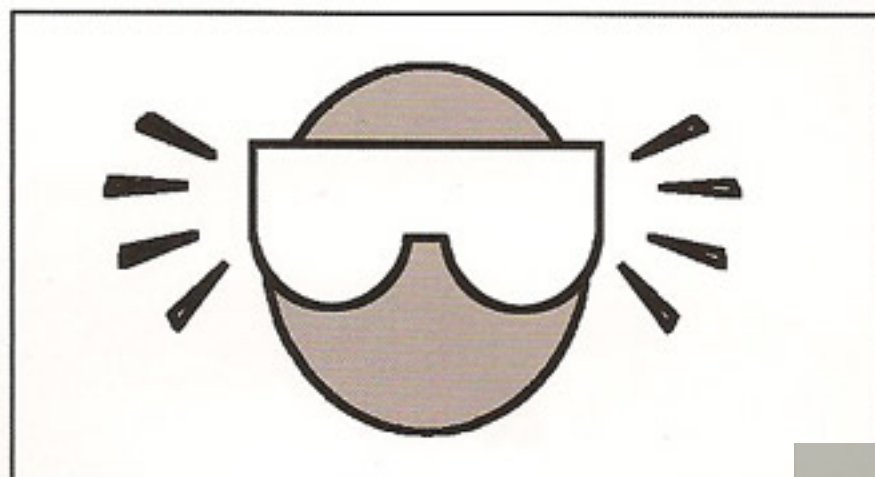
6. Connect the plugs as shown. Then install top cover and X47 top rail back to the AEG.

⚠️ WARNING ⚠️

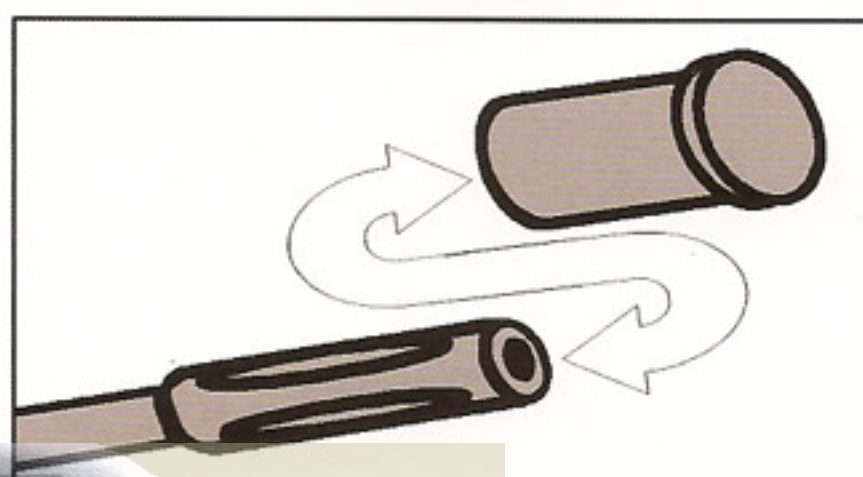
Read through this Handling and Instruction Manual carefully before operating this AEG

This sport gun is developed for recreational use and it is capable to shoot BB bullets as a projectile so please be caution when handling or using this gun. Careless shooting or improper use is dangerous, and it can cause damage or injury on human or animal. Make sure you read through this manual and all the warnings before operating this gun.

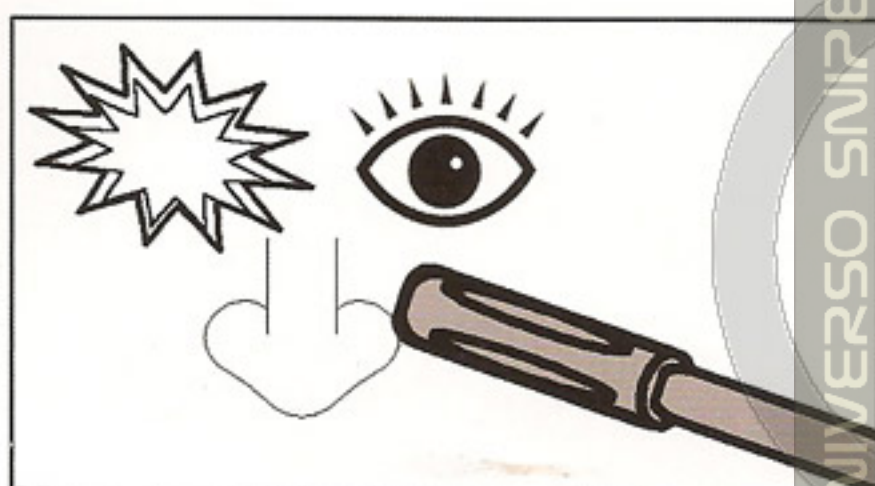
Operating this airsoft gun must be aged over 18 years old. Careless shooting or improper operation are dangerous. Users must understand and follow the laws of country before possessing or operating this product.



Always wear eyes protective gear.



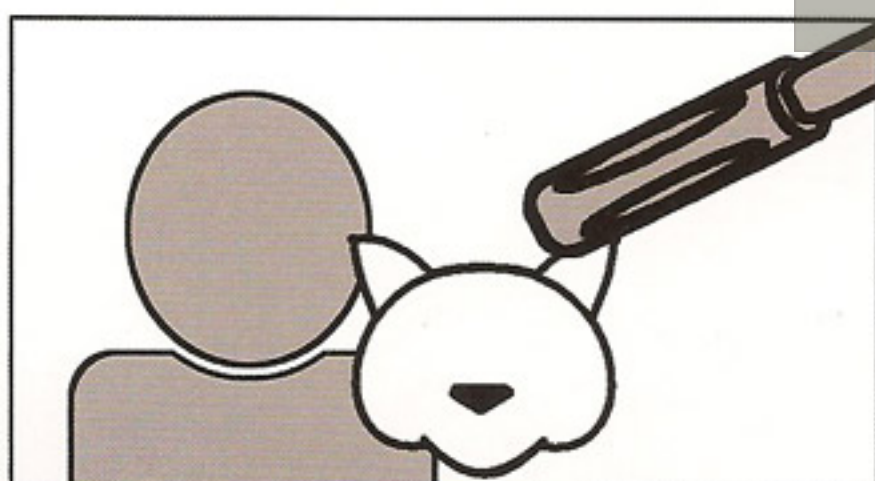
Always attach the protective plug to the gun muzzle.



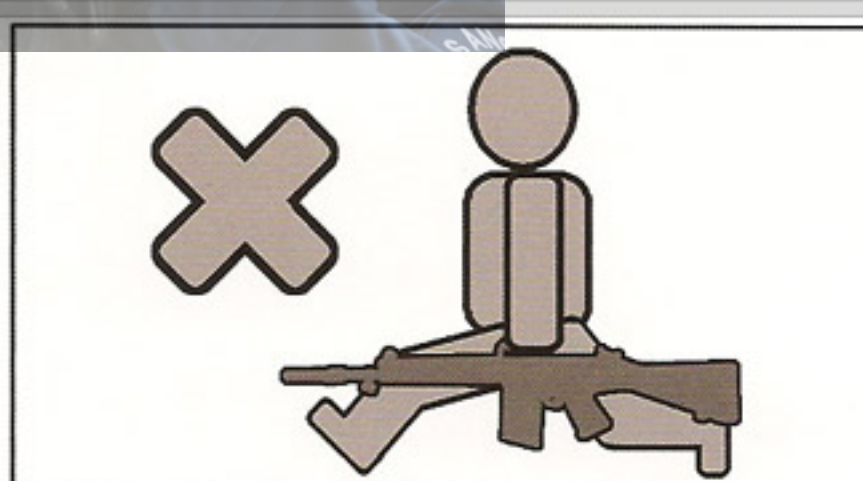
Never look into the gun muzzle.



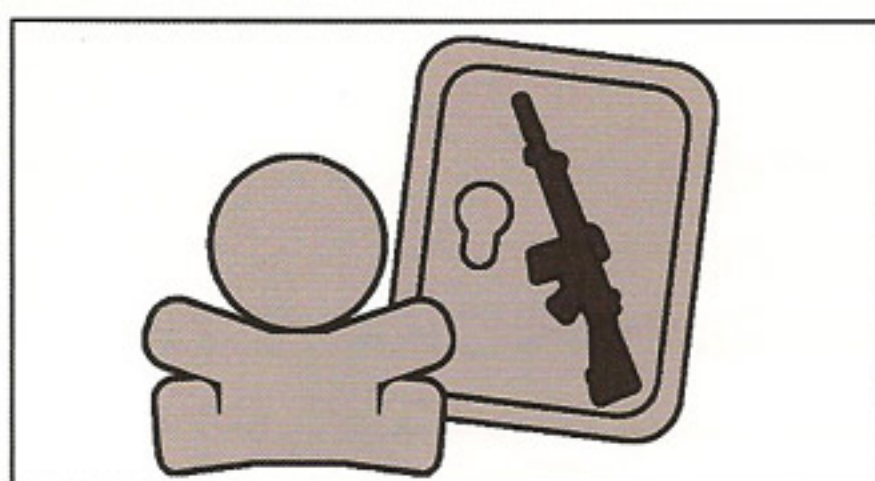
Avoid pulling the trigger carelessly.



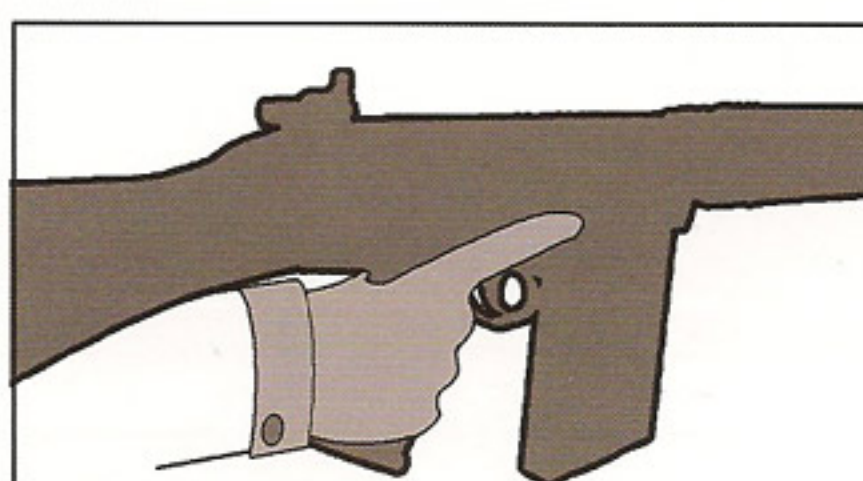
Never point or shoot the gun towards a person or an animal.



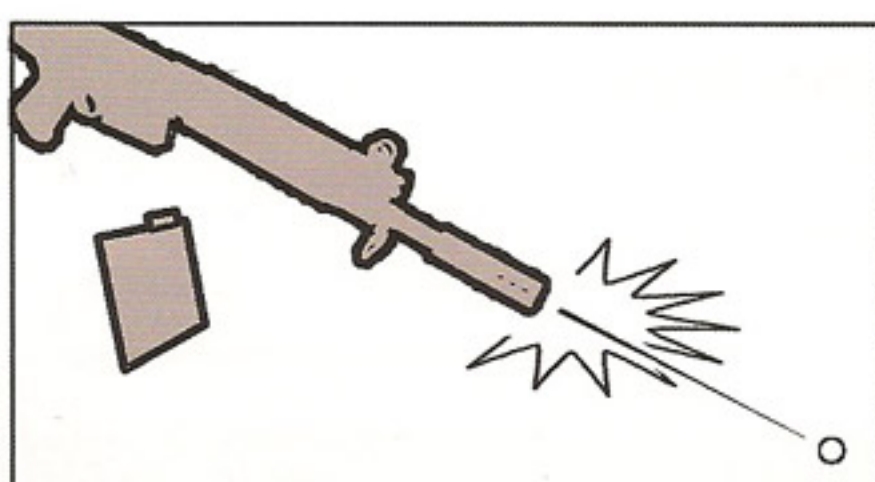
Always put the gun in a case or bag when you are carrying it.



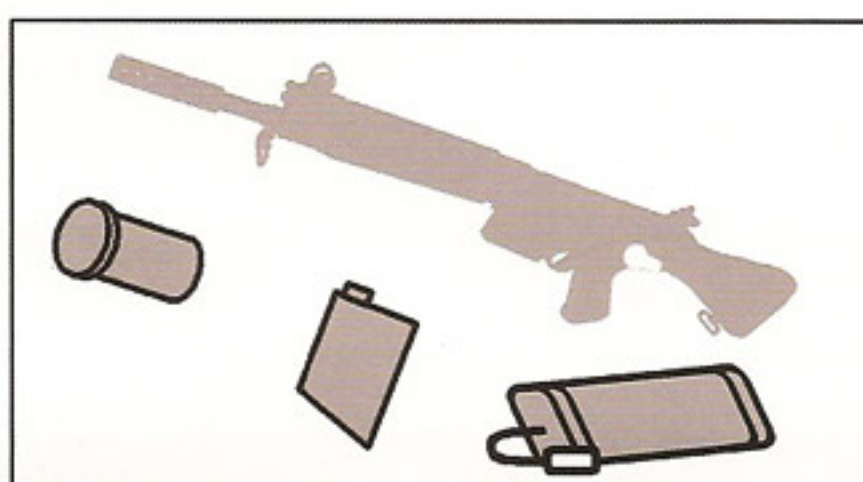
Store the air gun at places out of reach by children.



Always put your finger away from the trigger except when you are ready to fire the gun.



Even if the magazine is removed, there might be remaining BB bullet in the gun which still can be shooting.



Always apply safety habits:
-Set selector lever at the Safety position.
-Attach the protective plug to the muzzle.
-Remove the magazine.
-Remove the battery from the AEG.

Caution

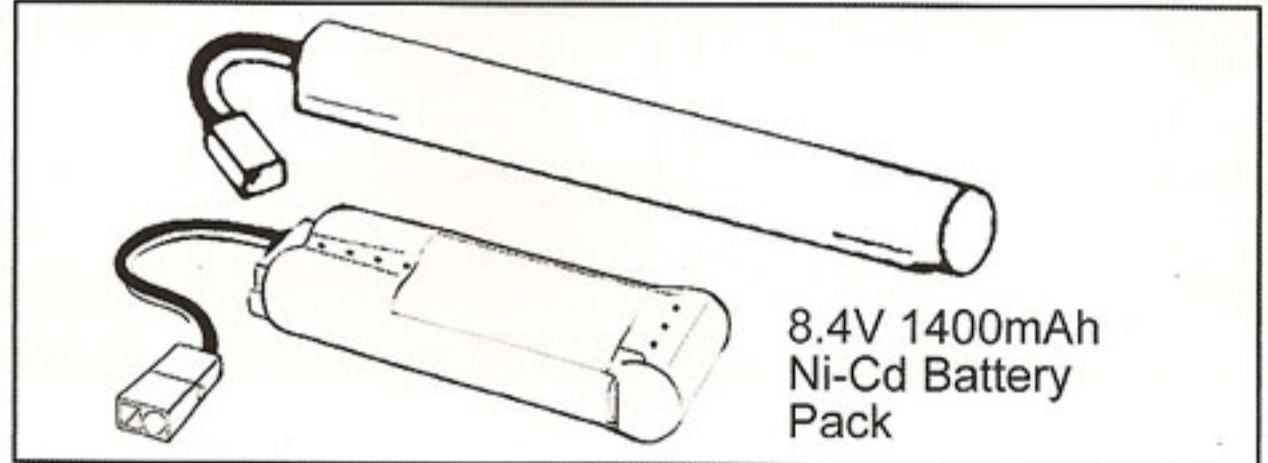
- Read through this manual before shooting. Pay special attention for safety operation.
- Remember the warnings and be cautions at all times
- Failing to do so may cause injury, accidents or damage to gun.

Charging the Battery

■ Charging the Battery. (Battery and charger sold separately)

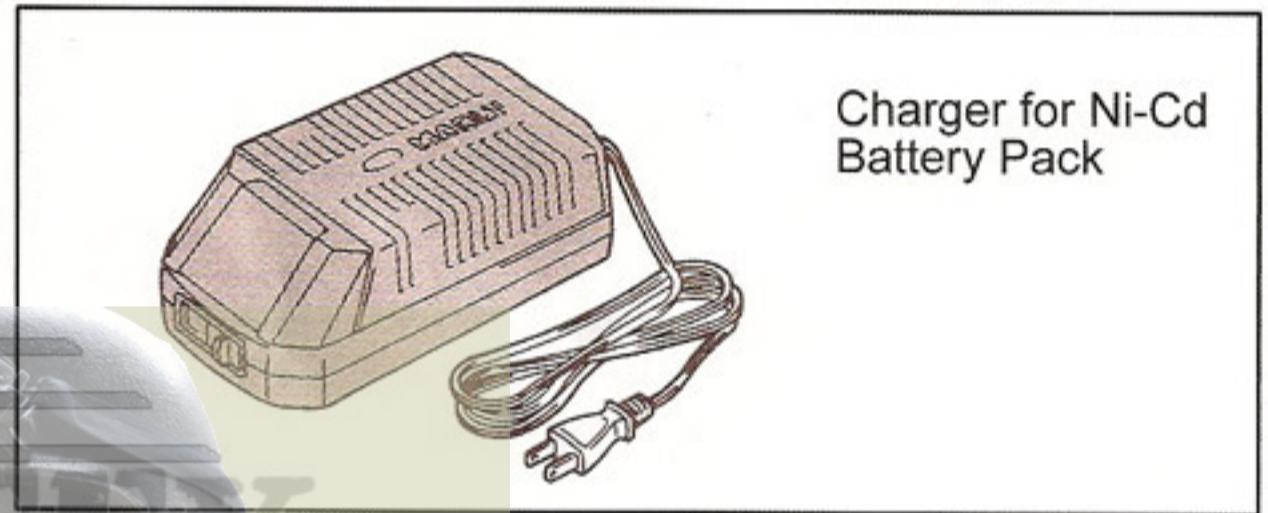
Use the specified battery for the gun.
8.4V 1400mAh battery for AK47,
8.4V 1400mAh stick type battery for AK47S.

Avoid use of non-standard battery or the original designed functions may not be working.

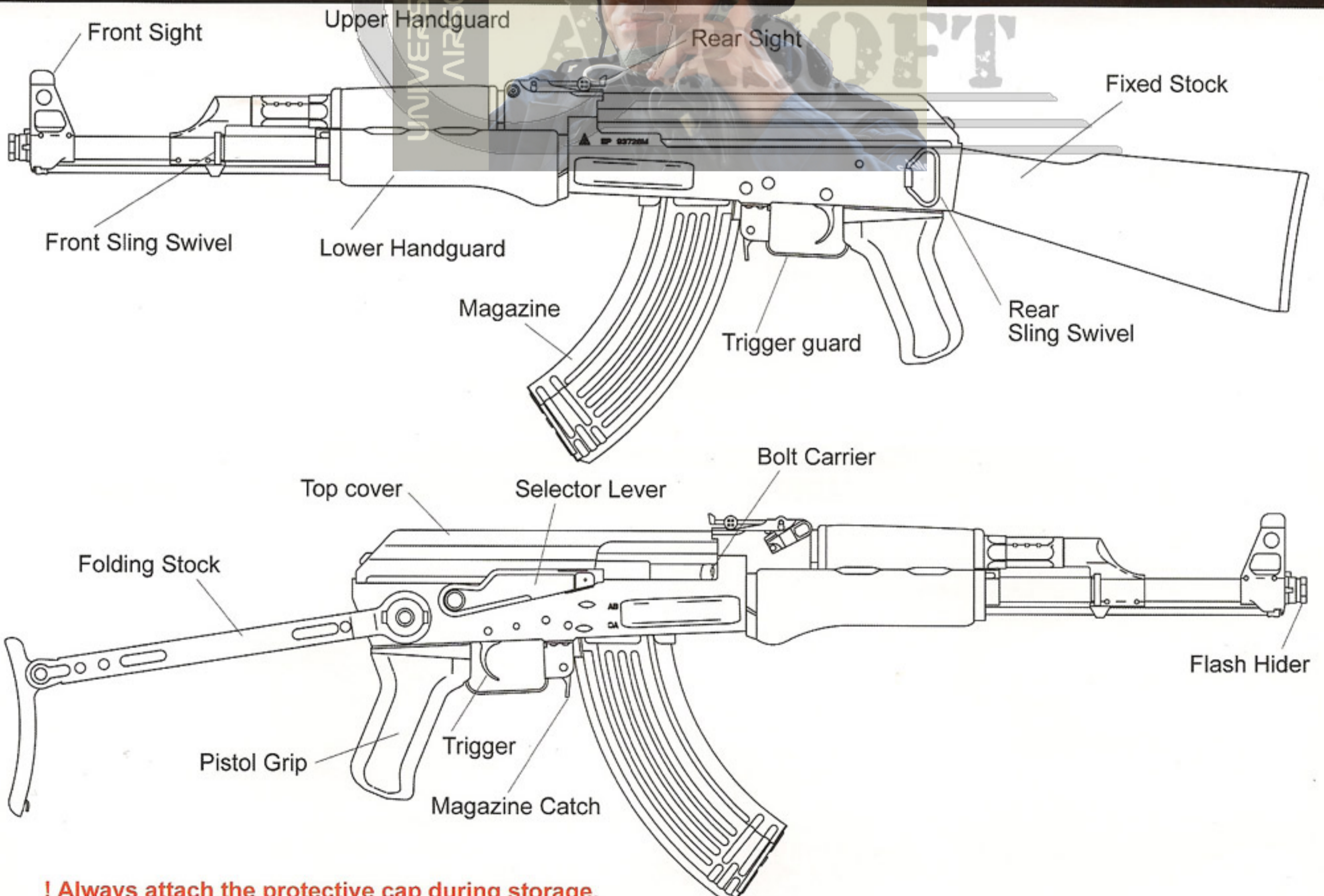


■ Use the specified battery charger which is applicable to the above battery.

Use only the correct battery and charger. We would not be held responsible for any accidents or damages caused by improper or incorrect operation, or usage of non-specified battery.



Component Names



! Always attach the protective cap during storage.

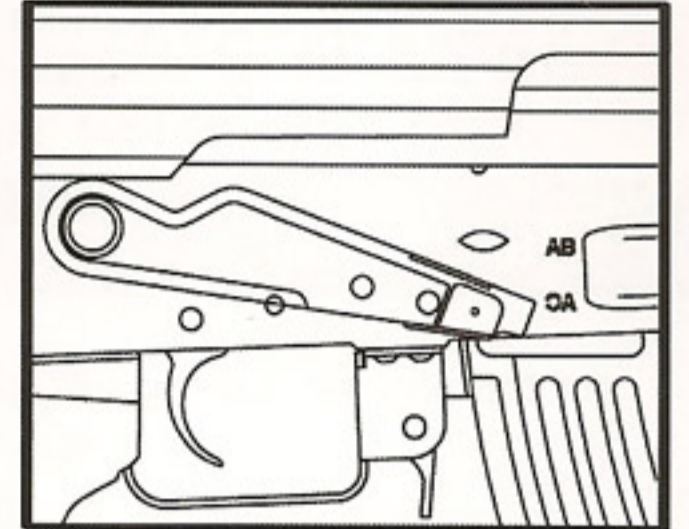
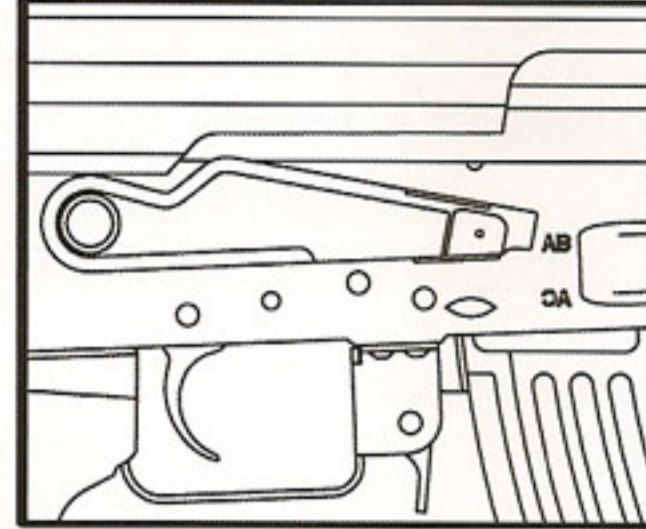
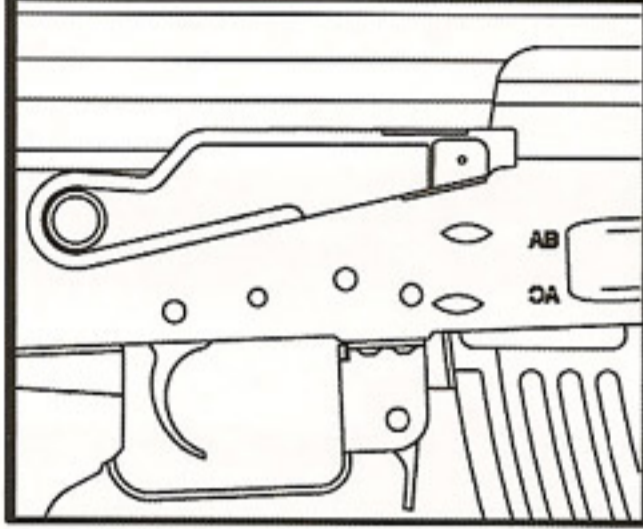
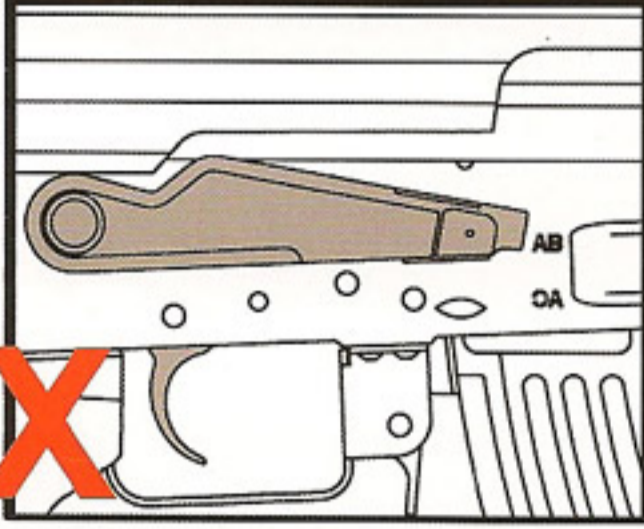
Selector Lever and Safety Setting

Warning
To prevent malfunction, please do not adjust the selector lever from semi to full auto while pulling the trigger.

Safety Setting
Always set the lever to the Safe position and attach the protective cap when you are not firing the gun or during storage.

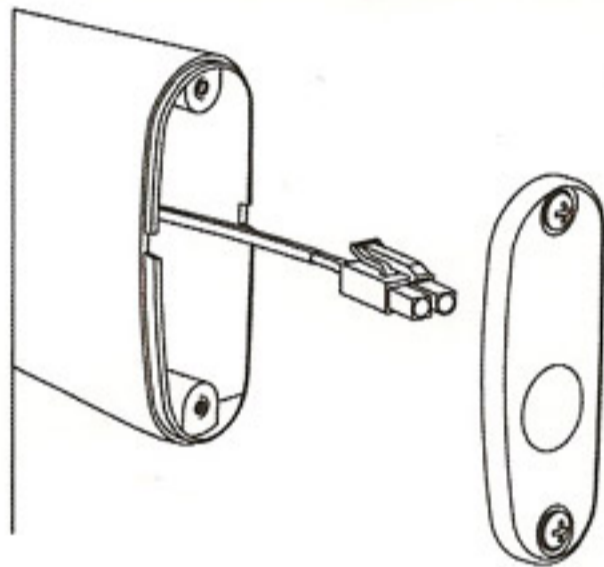
Semi Auto (Single Shot)
The gun will fire one shot each time when the trigger is pulled.

Full Auto (Automatic Firing)
The gun will fire automatically while the trigger remains pulled.



CAUTION: Set the selector lever correctly in position; otherwise, malfunction may occur.

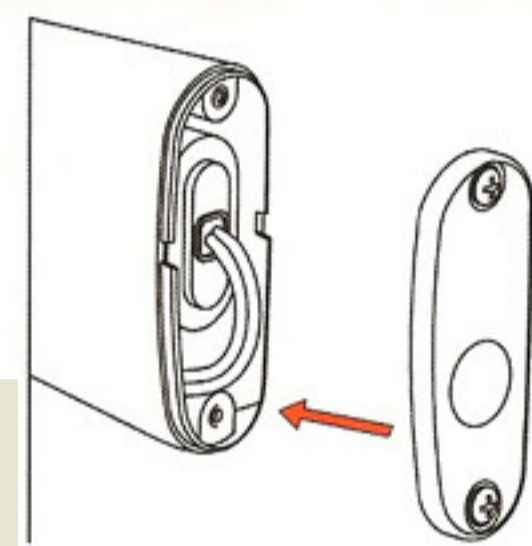
Setting the Battery



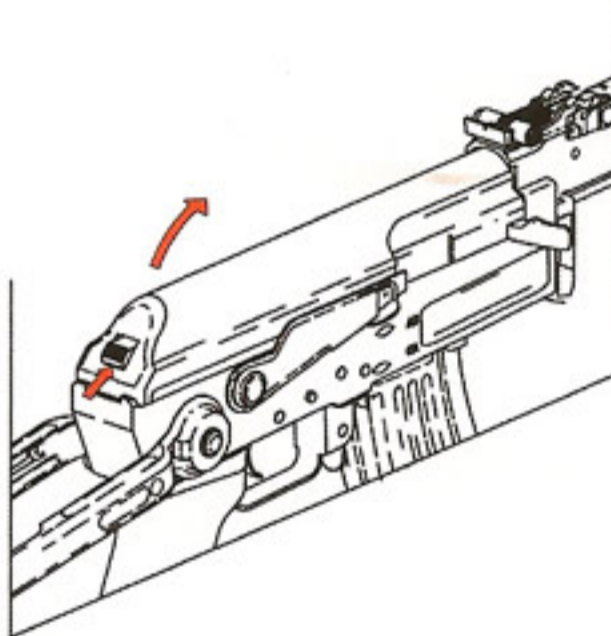
1. Pull the stock butt plate out by loosen the 2 screws.



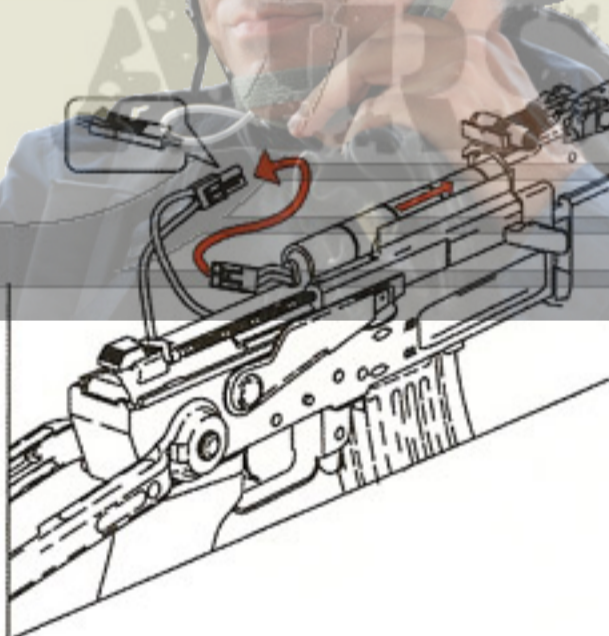
2. Insert battery into stock. Connect the plugs and place the wires inside the stock.



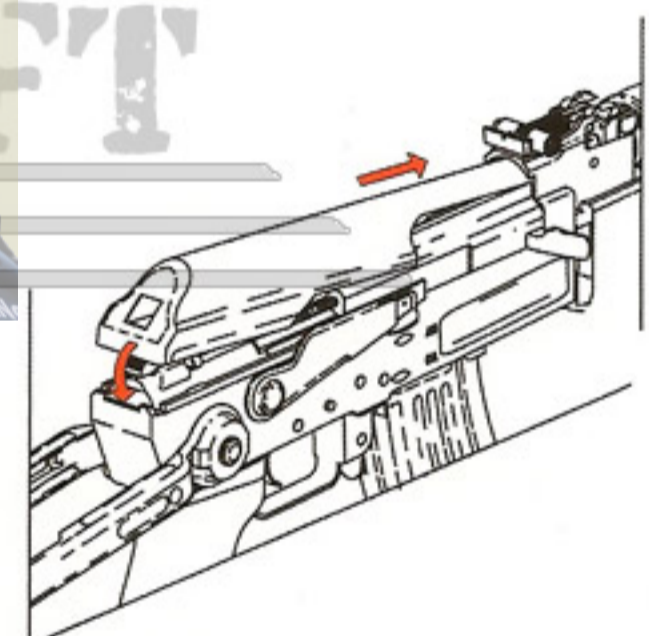
3. Put the stock butt plate back on the stock, fix it by 2 screws.



1. Open the top cover by pushing the locking button as shown.



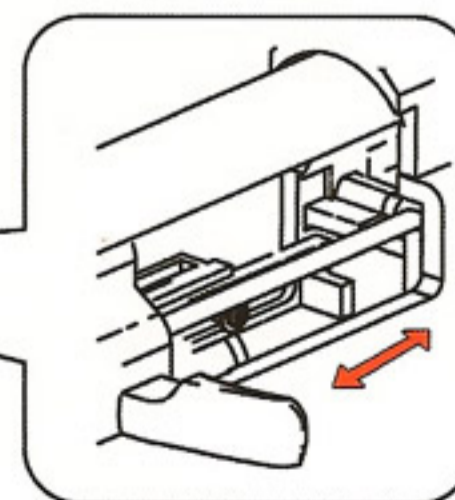
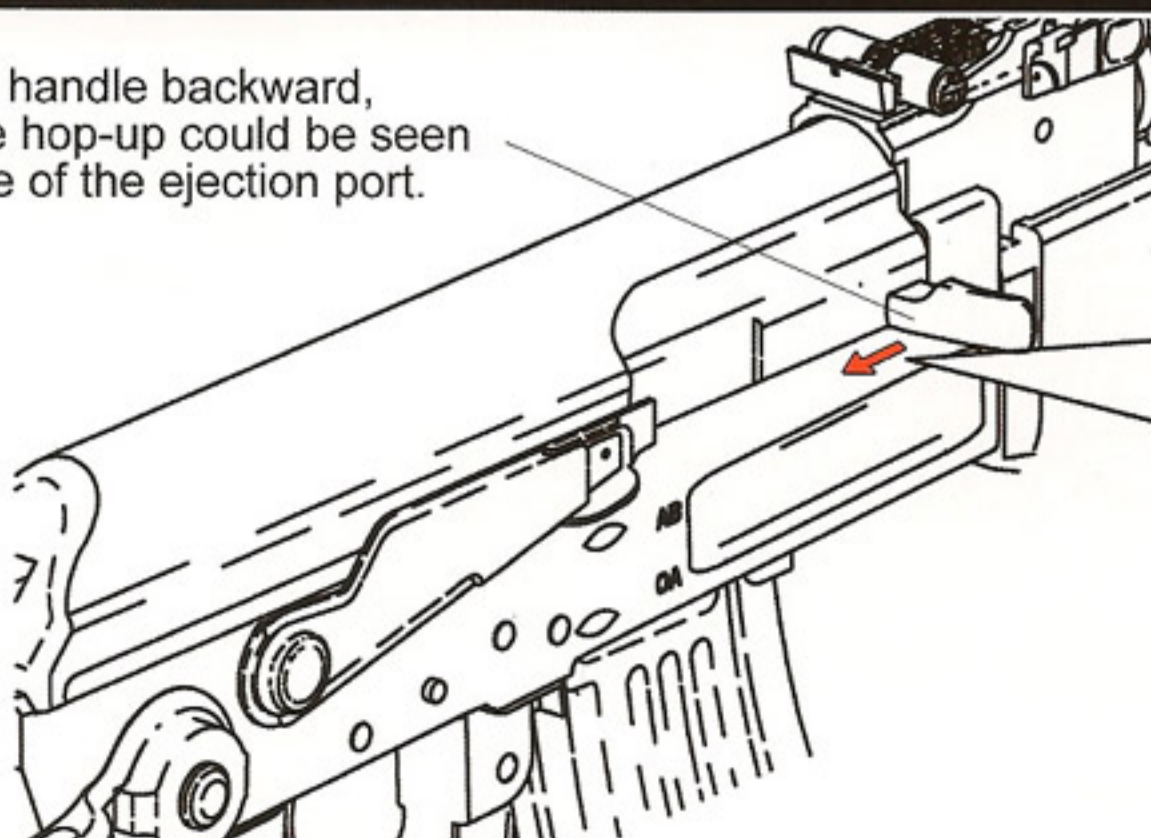
2. Insert battery into battery compartment. Then connect the plugs as shown.



3. Insert the top cover back on AEG. Make sure it is locked by the locking button.

Adjust Hop Up

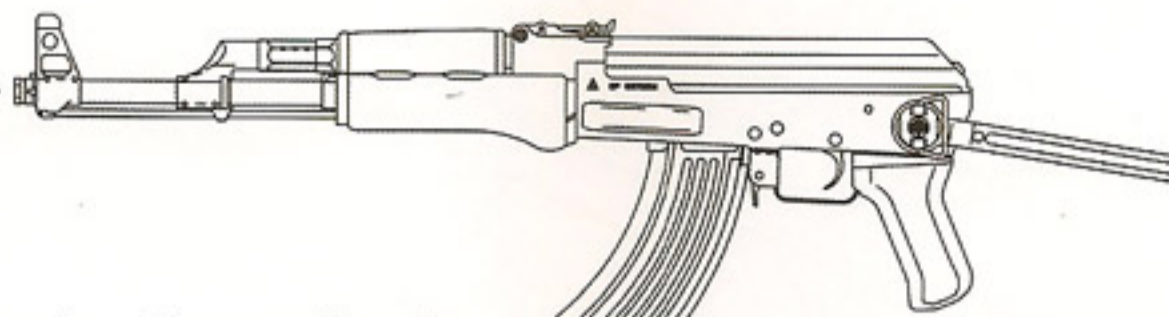
Pull the bolt handle backward, The variable hop-up could be seen on the inside of the ejection port.



Adjust hop up by moving the hop up lever forward or backward.

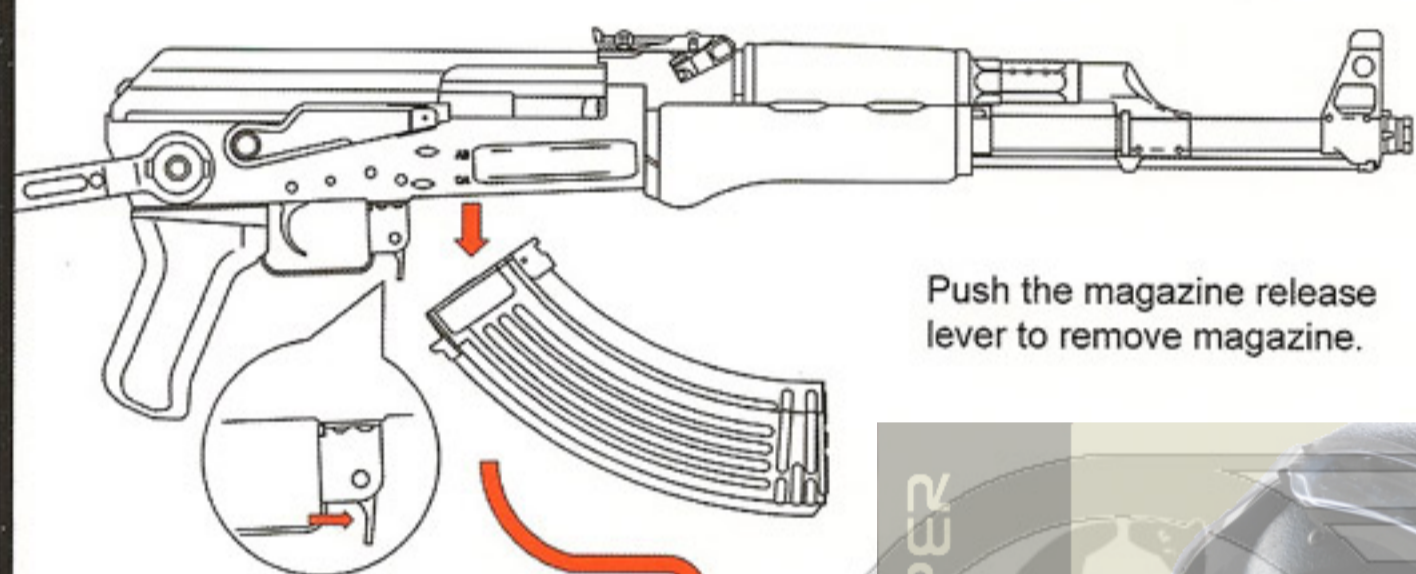
Adjust Hop Up

- X** ○ Excessive hop up (Move the lever forward.)
- O** ○ Best Position
- X** ○ Not enough hop-up (Move the lever backward)



- Adjusting the hop-up dial excessively can cause bullet clogging. Keep pulling the trigger while bullet being clogged will damage the piston and gears.
- If bullet clogging occurs, immediately stop firing the gun, return the hop dial to the Normal position and remove clogging bullets using a clearing rod (not included in this package).
- Make sure to return the hop-up to normal position when removing clogged bullets. Otherwise, the chamber maybe damaged.
- Never use used or dirty bullets. Dirty chamber will result in unstable hop-up.
- Lacking or over spraying of silicone oil will also lead to unstable hop-up.

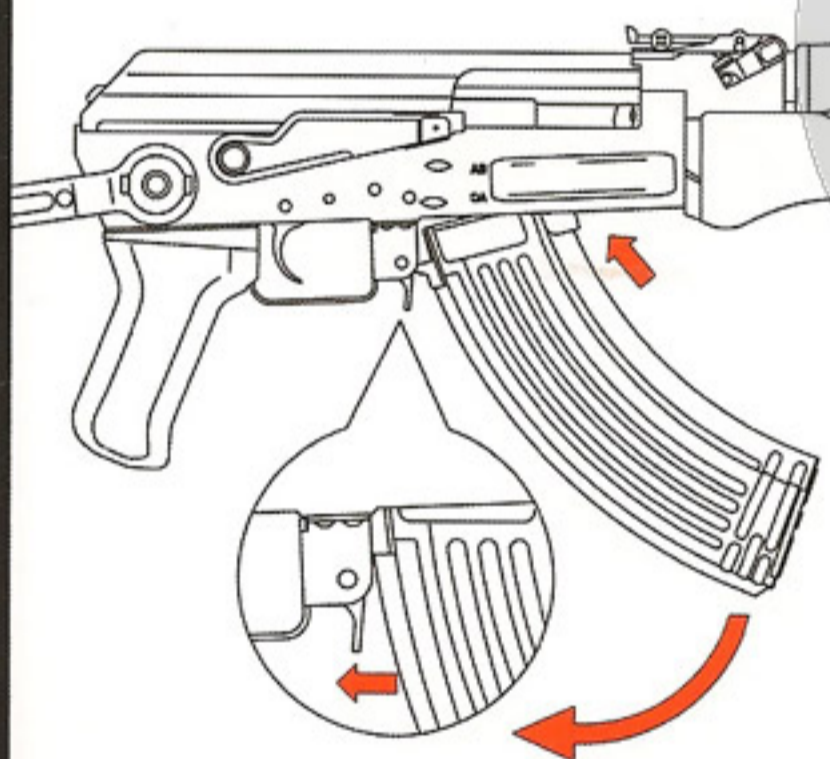
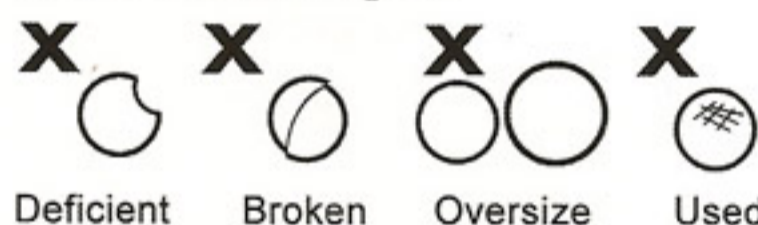
Setting the Magazine



Push the magazine release lever to remove magazine.

6mm Always use new 6mm BB pellet

Do not use following BB

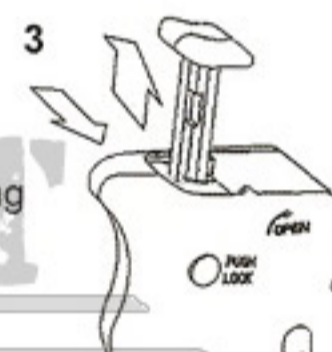
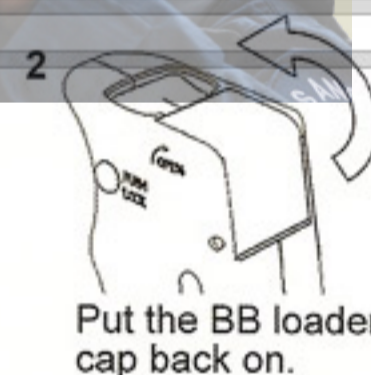


Install magazine back to the gun by placing the front side of the magazine into the magazine slot first, once it hooked the magazine, press rear end into the slot too.

Inserting BB pellet



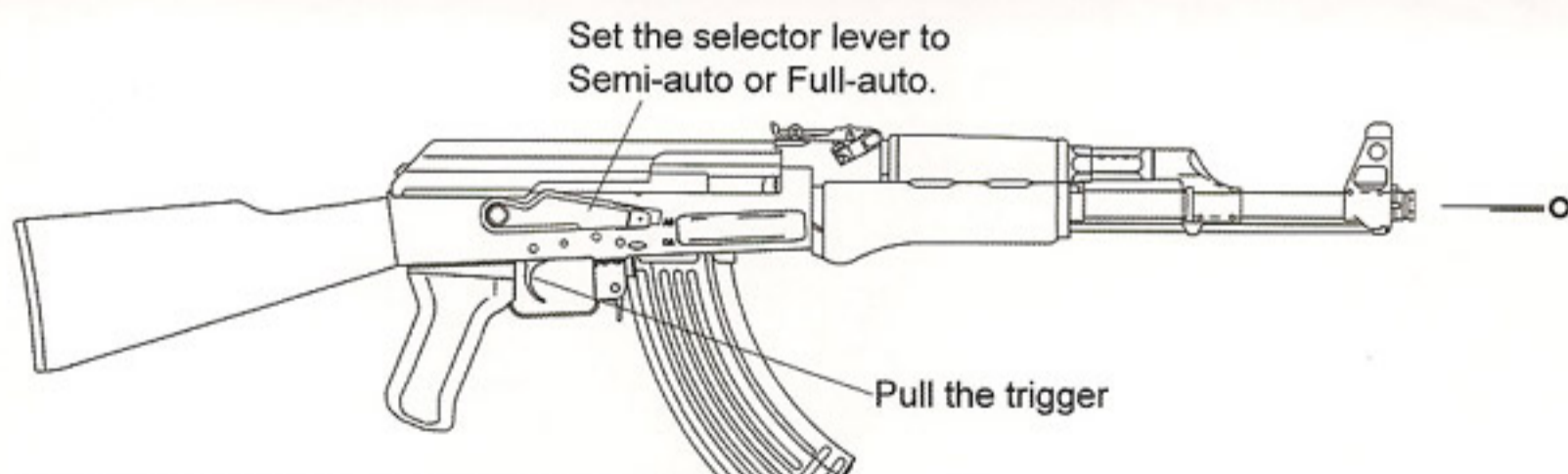
Lock the BB loader loading rod. Put up to 200 rounds of BB pellet in the loader.



Unlock the loading rod.

4 Align the loader outlet with the magazine opening. Press loading rod to load BB into the magazine. Make sure loading rod is press and release completely.

Firing



Set the selector lever to Semi-auto or Full-auto.

Pull the trigger

- Change the battery if the fire-rate becomes slow.
- It is normal that a blank fire may occur at the first shot even if the gun is loaded.
- There are possible cases which non-firing may occur after trigger is pulled in the semi-auto mode. To solve this issue, fire 5 to 10 bullets in the full auto mode first, and then switch back to semi-auto mode.
- It is normal that some smell may be generated from the motor for a while when a new gun is operating.
- It is normal that the hop-up function may be unstable for 200-300 pullets after silicone oil has been applied on hop up unit.

⚠ WARNING ⚠

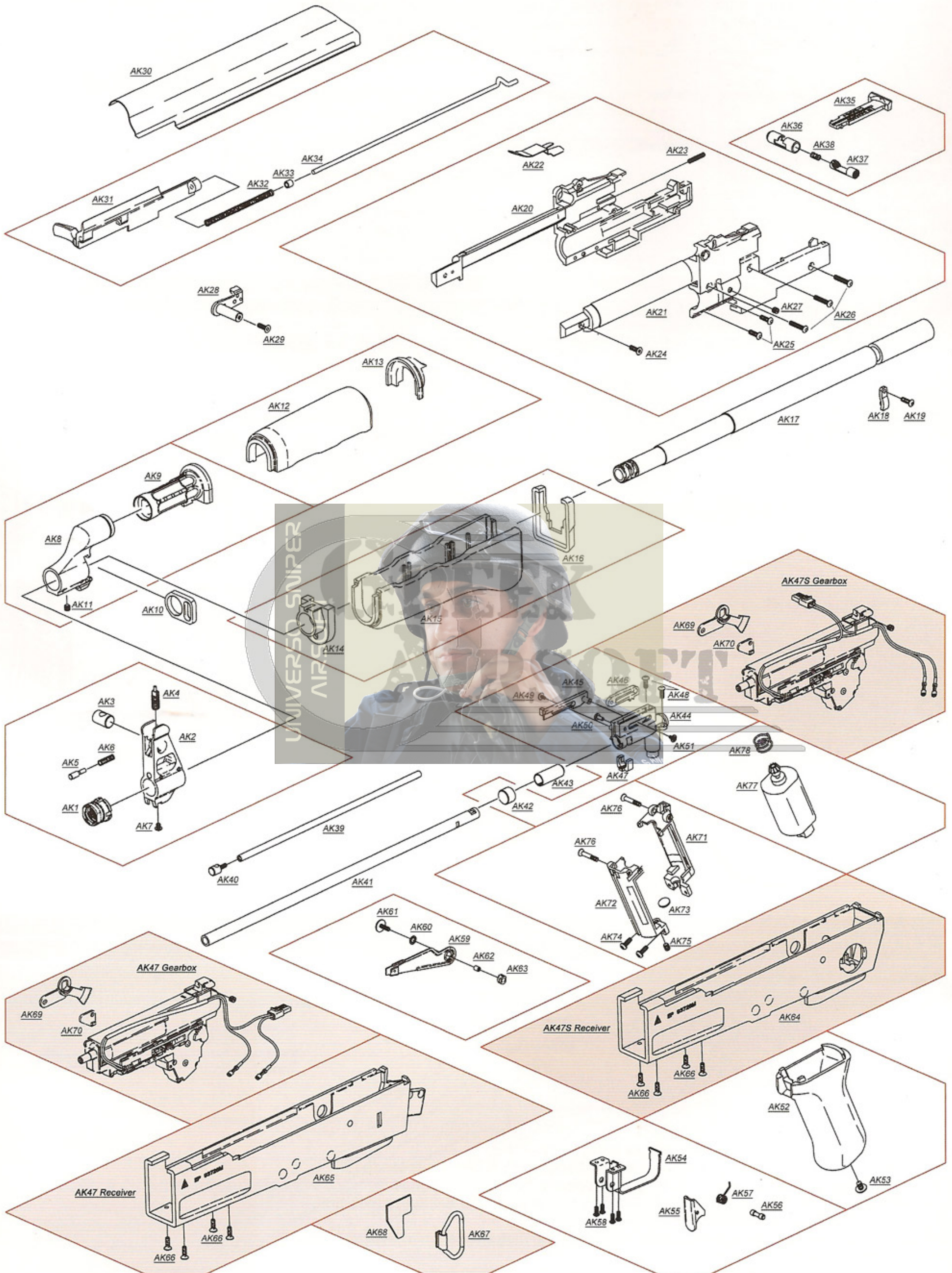
Make sure you followed all safety instructions before firing the gun.

Remove the protective cap only when you are ready to fire.

After firing about 500 bullets, rest the gun for 5 to 10 minutes.

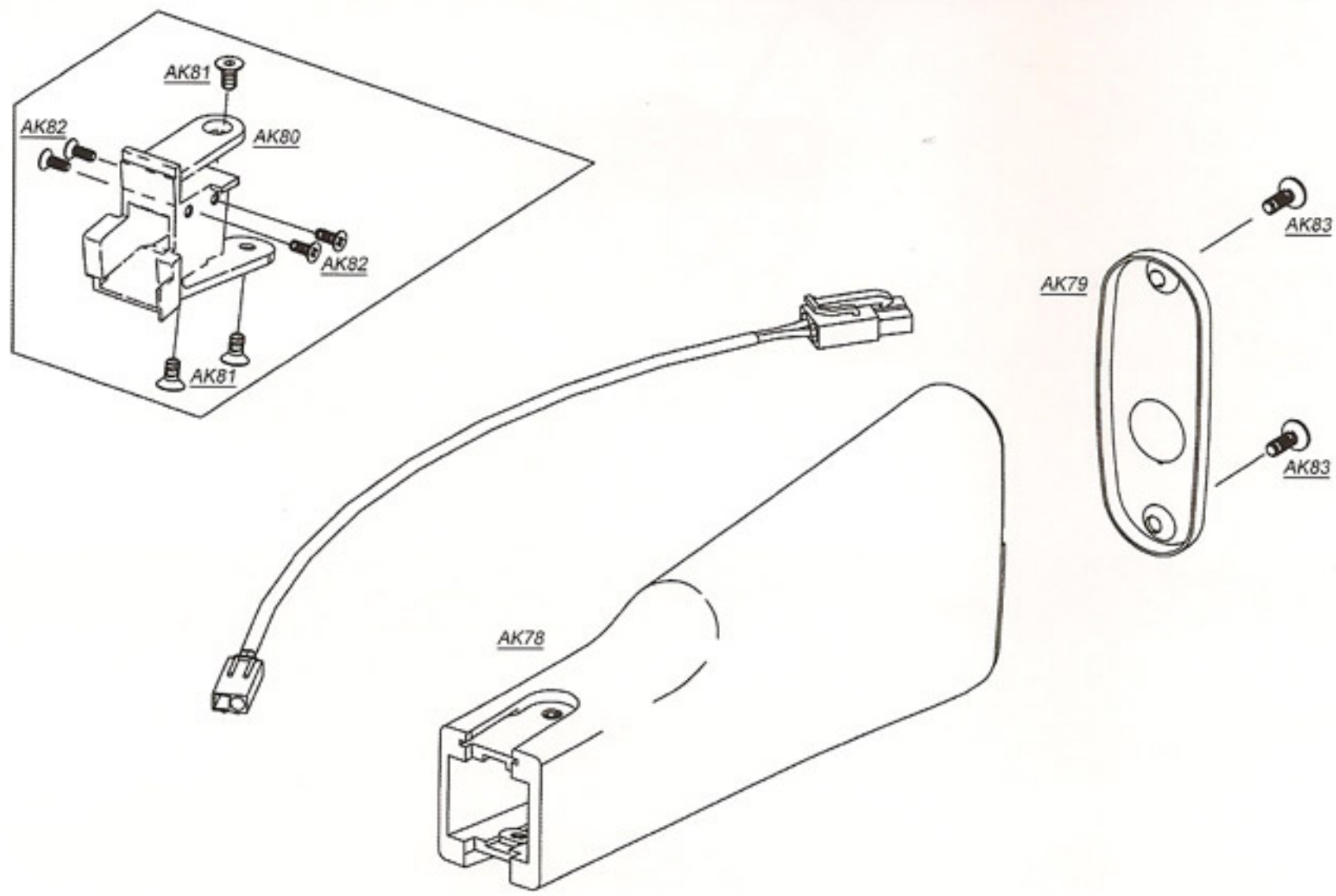
Always attach the protective cap and set the selector lever to Safety position when the air gun is not in use.

Explosive Diagram



Explosive Diagram

AK47 Butt Stock



AK47S Folding Stock

