

Troubleshooting

Power Failure

- Inspect the battery for signs of damage. (Replace if necessary)
- Check the fuse located under the battery cover. (Replace if necessary)
- Make sure the battery is fully charge before connecting.

How to replace the fuse:

- Open the battery compartment and remove battery. (Page 2)
- Locate the fuse on the left front side of the gun.
- Gently pull the fuse holder out of the lower receiver.
- Pull the fuse upward and out of the fuse holder.
- Replace with a new 25 amp fuse. (available at local hardware stores)
- Place fuse holder back to it's original position.

When the BBs don't shoot out

- Make sure the magazine is properly wound and firmly inserted (magazine will click) and at least half-full with BBs.
- Check to see whether the Hop-Up unit is off by pushing the Hop-Up adjustment lever completely forward.

Motor is Overheating

- Allow the airsoft gun to cool down for approx. 30 minutes.
- Firing the airsoft gun in short bursts and allow the AEG to cool down after every 500 rounds. Long bursts will cause the motor to overheat.

If BBs zigzag in mid flight:

- Low quality BBs will zigzag mid-flight. Recommended replacement with Lancer Tactical 0.20g or heavier BBs.

If the battery is not charging properly:

- Inspect the battery for signs of damage. (Replace if cracked or cracked)
- Inspect the battery charger for signs of damage. Replace the charger if it is overheating or showing visible damage to the insulated wire.

If the battery temperature is above 113°F degrees while charging:

- Safely remove the battery from the charger and allow both to cool down.
- Once the battery and charger have cooled, inspect both for damages.

If the airsoft gun is still not functioning properly

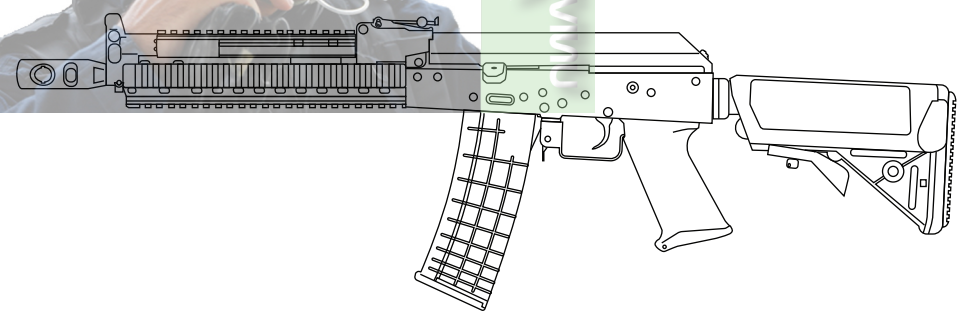
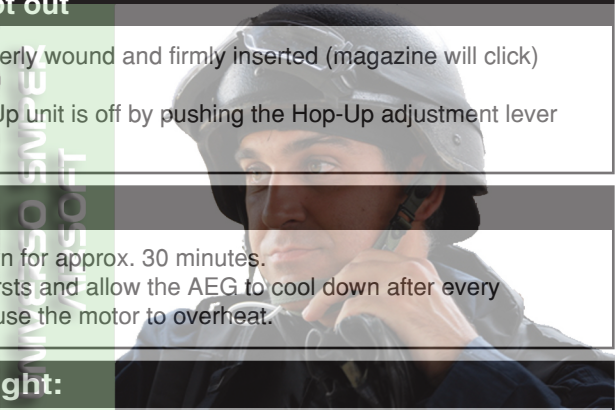
Please Contact: info@LancerTactical.com

1 (888) 279-7776

Mon-Fri: 9am-5:30pm PST



Instruction Manual



Recommended for users 18 years of age or older.
Always read through the user manual before operating this airsoft rifle.

WARNING

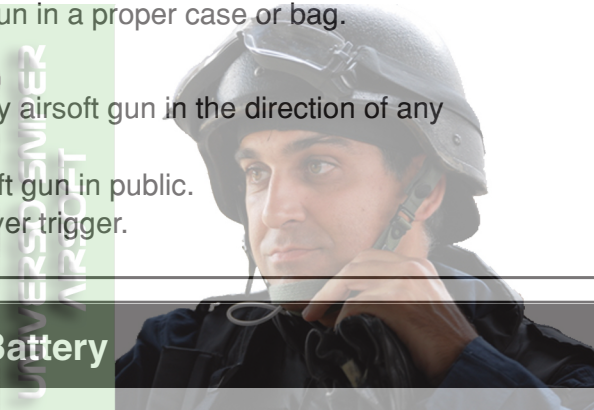
Please proceed with caution when operating all airsoft guns and accessories. Remember to handle all airsoft guns and accessories in accordance to the following safety rules and guidelines:

ALWAYS:

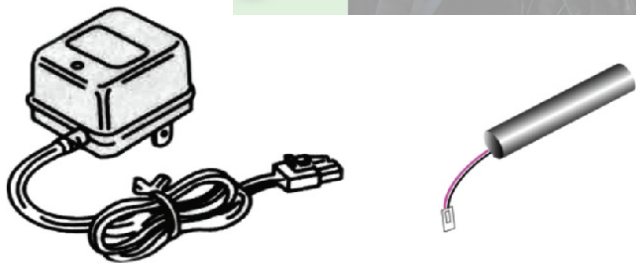
- Follow all federal, state, and local laws and ordinances when handling any airsoft gun.
- Wear proper eye protection and clothing.
- Aim, point, and fire the airsoft gun in a safe direction.
- Switch the selector on the airsoft gun to Safety mode when not in use.
- Transport any airsoft gun in a proper case or bag.

DO NOT:

- Aim, point, or shoot any airsoft gun in the direction of any person or animal.
- Openly carry any airsoft gun in public.
- Rest finger or object over trigger.



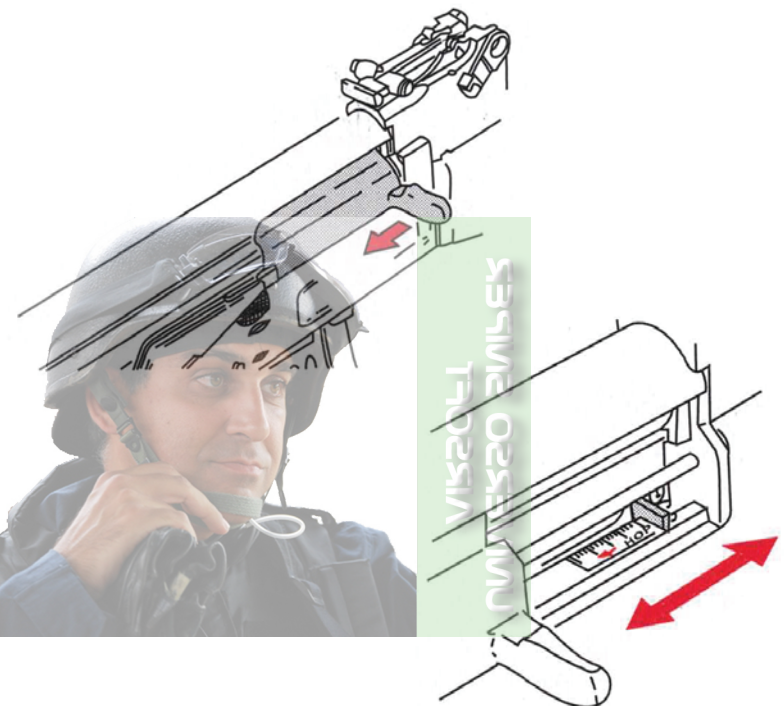
1 Charge Your Battery



- First, connect the battery to the wall charger. (Included)
- Plug the wall charger into a proper wall outlet.
- **DO NOT** leave your battery charging for more than 4 hours.
- If the battery becomes hot, safely disconnect the battery from the wall charger immediately.
- Keep the battery in a dry area when not in use.

9 Adjusting the Hop-Up

The Hop-Up unit increases the shooting distance by putting a back spin on a BB pellet. This allows incremental increases or decreases in the BB pellet through the adjustment levers on the Hop-Up unit.



Step 1

Locate and pull back the charging handle. (See picture above)

Step 2

While the charging handle is pulled back, locate the Hop-Up adjustment lever inside the ejection port and slowly push the lever until the desired distance is achieved.

7 Storing Your Airsoft Gun

To safely put away an airsoft gun, please follow these steps:

Step 1

Remove the magazine pushing the magazine release lever and pulling the magazine down.

Step 2

Set the Selector Switch to Semi Auto (OA), then dry fire the airsoft gun in a safe direction.

Step 3

Once you are sure BBs are no longer shooting out, set the Selector Switch to the Safety mode.

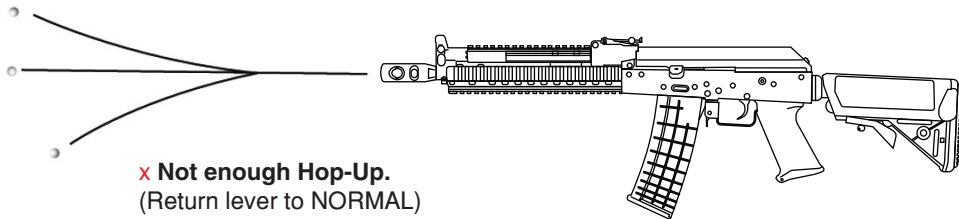
Step 4

Store the airsoft gun in a safe area and out of the reach of children.

DO NOT use WD-40, CRC-556, or any other mineral to lubricate parts on the airsoft gun.

8 Adjusting the Hop-Up

x Too much Hop-Up.
(Return lever to NORMAL)



x Not enough Hop-Up.
(Return lever to NORMAL)

Hop-Up Adjustments:

Increase - Pull Hop-Up lever backwards.

Decrease - Push Hop-Up lever forward.

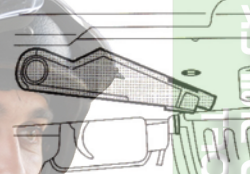
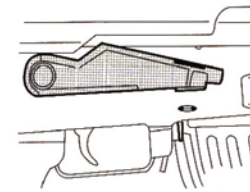
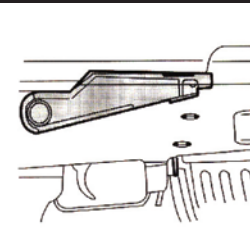
The best Hop-Up setting is when BBs shoot out straight.

2 Selector Switch and Safety Setting

Careful for moving parts!

DO NOT use the Selector Switch while pulling the trigger. This may cause permanent damage to the airsoft gun.

DO NOT pull the trigger while the Selector Switch is in Safety mode. This may also damage the airsoft gun.



Safety Setting:

To place the airsoft gun in Safety mode, push the Selector Switch all the way up.

Place airsoft gun in a safe area. This eliminates possibility of unexpected firing.

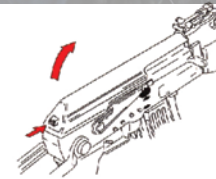
Full Auto (AB) Setting:

In the Full Auto/AB setting, the airsoft gun will shoot continuous BBs until the trigger is released.

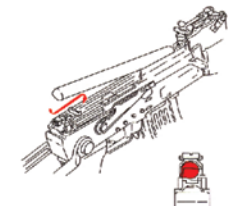
Semi Auto (OA) Setting:

In the Semi Auto/OA setting, the airsoft gun will shoot a single BB each time the trigger is pulled.

3 Installing the Battery



Press the cover release to open the battery compartment.

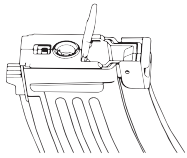


Connect the battery to the battery connector. Then insert the battery into the appropriate slot.



Carefully close the cover, making sure that the battery wires are cleared.

Installing the Magazine

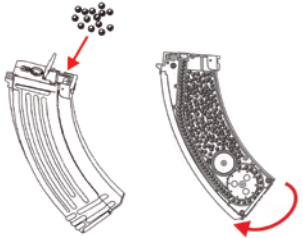


Step 1

Locate the trap door on top of the magazine.

Step 2

Push the trap door cover upwards until the BB compartment is visible.



Step 3

Put BB pellets into the BB compartment. Maximum magazine capacity is 600 BBs. Only use BBs with a weight of 0.2 grams or heavier. **DO NOT** reuse BBs or use BBs from sporting goods stores.

Step 4

Close the trap door.

Step 5

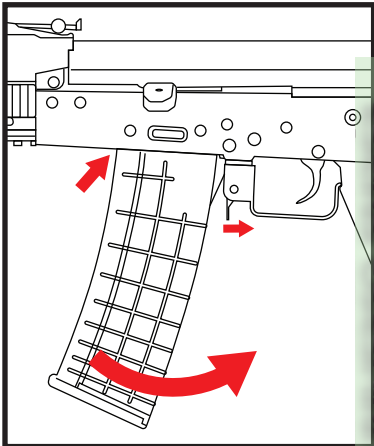
Locate the Winding Wheel at the bottom of the magazine and wind until the BBs are visible at the top of the magazine.

Step 6

Wind the magazine an additional 4-6 times to ensure maximum performance.

Step 7

Insert magazine into the airsoft gun. Make sure to firmly insert magazine until click.



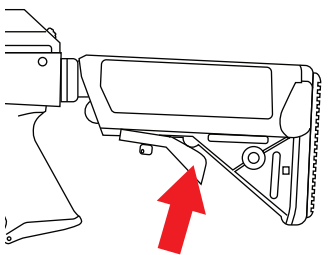
WARNING

Always use Lancer Tactical 0.20g or higher BBs.

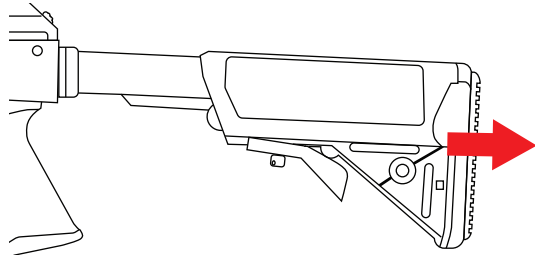
Lancer Tactical will not be held responsible for any damage and accidents as a result of using lower quality BBs supplied by other manufacturers.

Retractable Stock

1. Hold Down Stock Lock Button

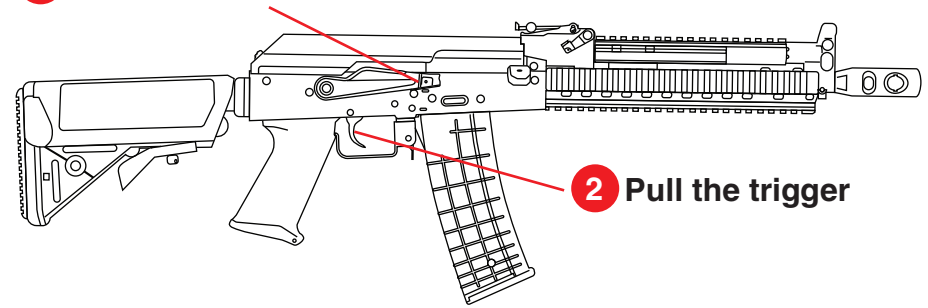


2. Extend Stock

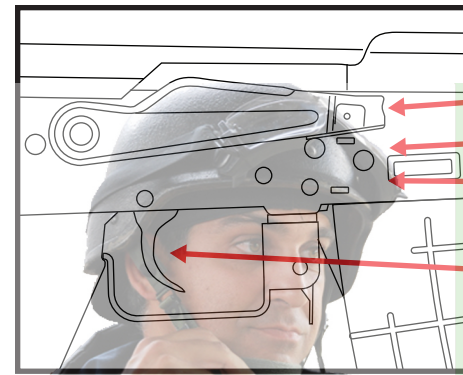


Firing Your Airsoft Gun

1 Set the selector switch to Semi- or Full-Auto.



2 Pull the trigger



Safety

Full-Auto (AB)

Semi-Auto (OA)

Trigger

Please note: During the operation of the airsoft gun, it may happen that the airsoft gun may not fire when placed in Semi-Auto. If this happens, **STOP** pulling the trigger immediately and switch to Full-Auto mode. Pull the trigger 5-6 times in Full-Auto and then return back to Semi-Auto mode.

WARNING

- Pulling the trigger carelessly is extremely dangerous. Always be sure to point the muzzle in a safe direction when pulling the trigger.
- Blank firing may occur after installing the magazine. Continue to press the trigger until the BB pellets start shooting.
- Charge the battery if your airsoft gun starts to slow down.
- Be sure to allow your airsoft gun a rest every 5-10 minutes to increase the longevity of your airsoft gun's battery and motor.