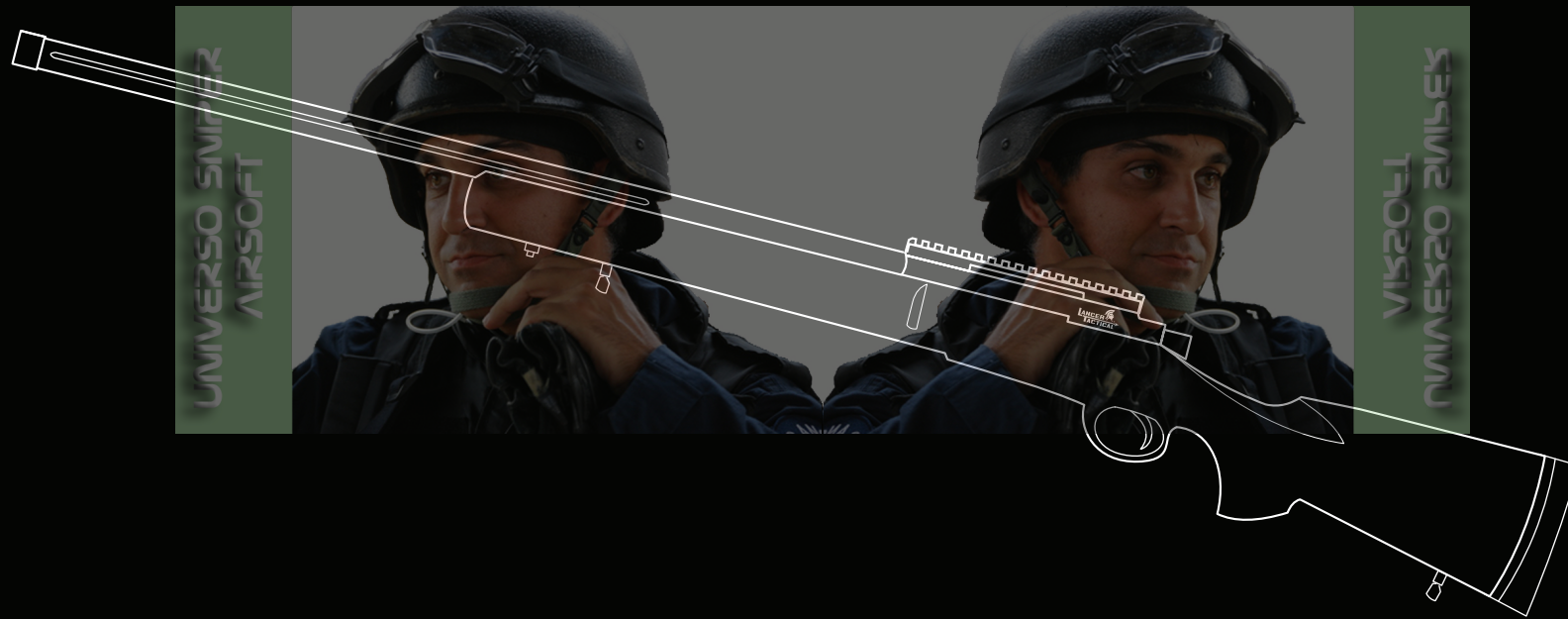




# LANCER TACTICAL



**LT-28 SNIPER**



Please read instruction manual.  
For ages 18 and older.

**INSTRUCTION MANUAL**

# SAFETY GUIDELINES

Read through the following safety guidelines and warnings in this manual to ensure safe handling and operation of the airsoft gun. Failure to do so may lead to injury or other serious bodily harm, as well as legal liability and potential damage to the product.

## 1. EYE PROTECTION

When operating an airsoft gun, you and all participants **must wear protective eye gear or full-face protection.**

## 2. DANGERS OF BEING MISTAKEN FOR AN ACTUAL FIREARM

Do not use an airsoft gun as part of a practical joke or prank; you may be punished under federal, state, or local law. **Never carry or brandish an airsoft gun in any public area.**

## 3. TRANSPORT & STORAGE

Always have your airsoft gun in a carrying case or bag when transporting between locations. Always set the selector switch to safe when storing your airsoft gun. Prior to storing or transporting the airsoft gun, always remove the magazine, clear the chamber, and disconnect battery.

## 4. MUZZLE SAFETY

**Never look into the barrel or muzzle of any airsoft gun!**

Spontaneous firing may still occur after a misfire, malfunction, or failure to fire. Always aim the muzzle and barrel of the airsoft gun towards a safe direction. Never shoot a person or animal under any circumstance.

## 5. TRIGGER CONTROL

**Avoid pulling the trigger carelessly.**

Do not place your finger on the trigger when not in use. Always have the selector switch set to safe when not in use.

## 6. FIREARM HAZARDS

Always assume the airsoft gun is loaded with BBs. Do not fire the airsoft gun in an unsafe direction, even if the magazine is removed. The airsoft gun may still be loaded with BBs even if the magazine is removed, and may still discharge.

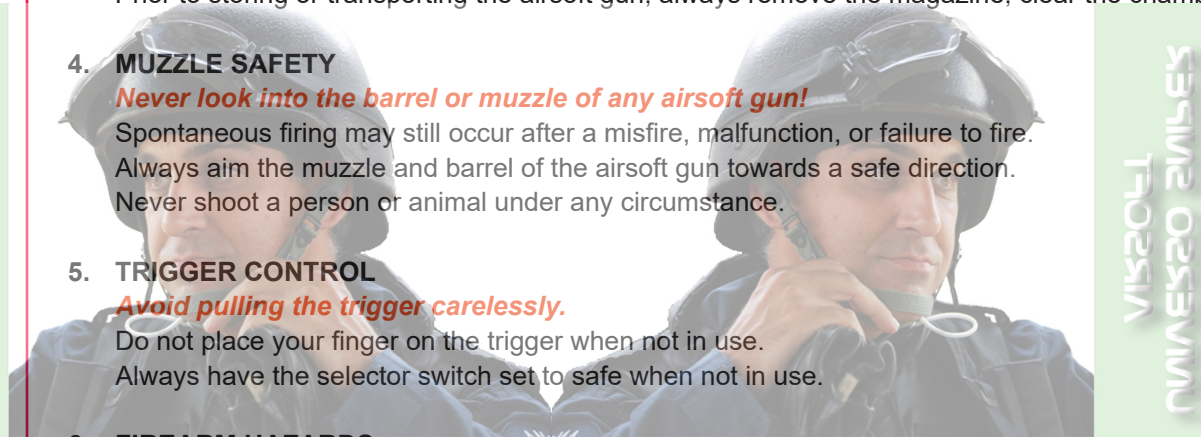
## 7. WARRANTY & CARE

Modifications and alterations to your airsoft gun will void all warranty claims. Follow proper cleaning of your airsoft gun according to the manual to ensure safe shooting performance. Warranty does not cover normal wear & tear, nor does it cover abuse of the airsoft gun.

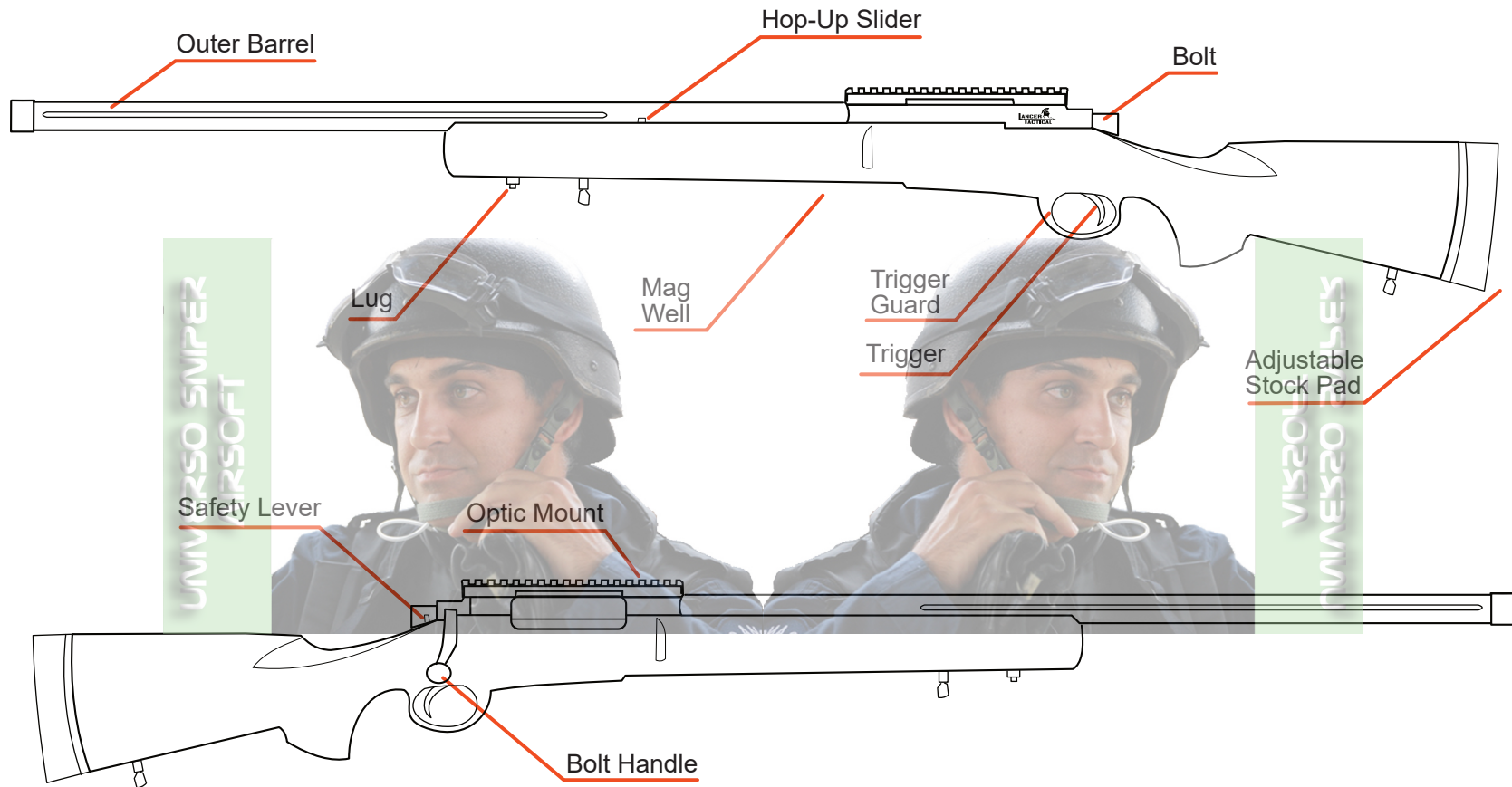
## 8. ORANGE TIP

**The removal or color alteration to the orange tip may be illegal under Federal and State Law (check your region).**

The owners and/or users shall assume all risk, and will be held personally responsible for any modifications.



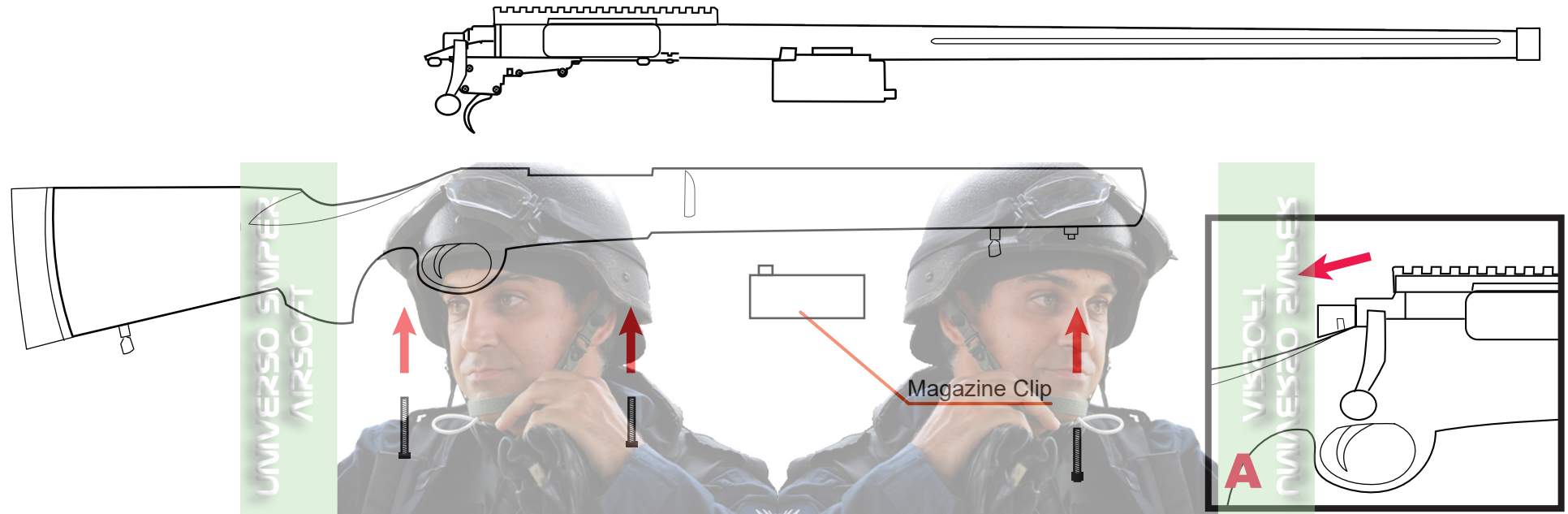
# PARTS DIAGRAM AND SPECIFICATIONS



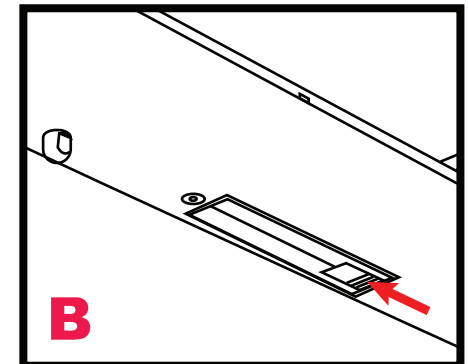
Series	Weight	Length	Inner Barrel	FPS*	Magazine
LT-28	6.3 lbs	44 inches	19" (length) 6 mm (caliber)	430-450	28 rounds

\*Feet Per Second. Range estimate w/ 0.20g BBs

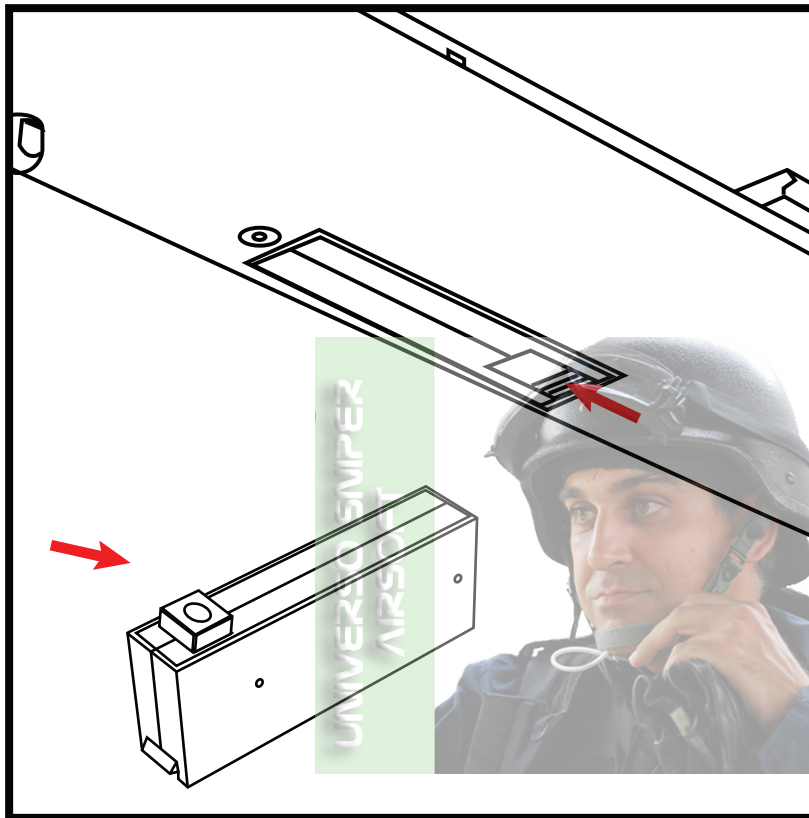
# RIFLE ASSEMBLY



- 1** Make sure that the magazine and rifle have been safely discharged, and the rifle safety is turned on (illustration A).
- 2** Locate the 3 unique-sized screws; use the appropriate allen wrench to assemble. Make sure you evenly tighten the screws until hand tight.
- 3** Over tightening or un-tightening may cause damage. Check that no packing material or loose parts are in between the sections during assembly.
- 4** Insert the magazine clip into the magazine well (illustration B). Ensure that the magazine release is locked in place and secure.

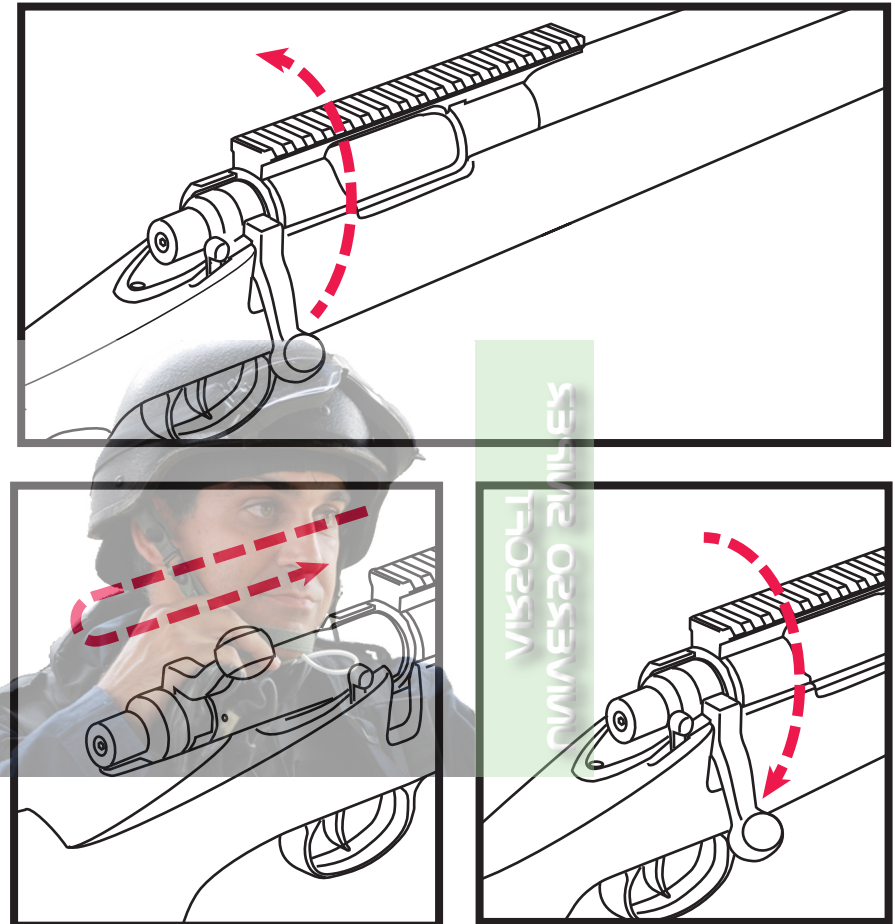


## Load Magazine



- 1** Push and hold the magazine release to eject the magazine.
- 2** Load ammo into the BB entrance. Use Lancer Tactical BBs to Ensure optimal performance. The use of 0.12g or “low-grade” BBs will damage your airsoft rifle and void the warranty.
- 3** Reload the magazine into the magazine well. Ensure that the mag release is locked in place and secure.

## Firing the Airsoft Rifle



- 1** Lift up the bolt handle from the end of the handle.
- 2** Once the handle is up, it is clear of the stock and able to be pulled back.
- 3** Pull back on the bolt handle until it locks in place. Do not lower the bolt handle. Push the bolt handle forward and lower to its original position.
- 4** It is now ready to fire.



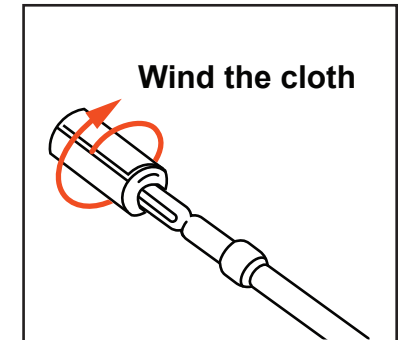
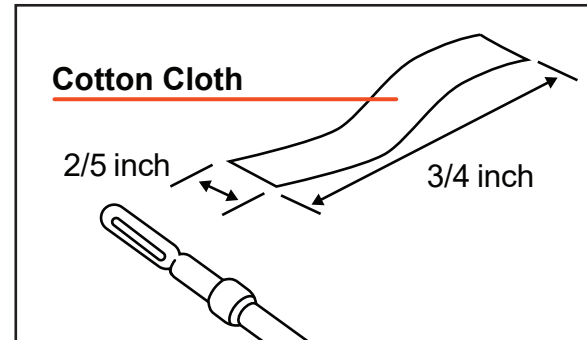
# CLEANING AND UNJAMMING

## Cleaning

Cut the cloth in the size as shown. Insert one end into the hole in the cleaning rod. Adjust the length of the cloth to smoothly enter the barrel.

## Safety Steps

- Switch airsoft gun to SAFE.
- Turn the hop-up adjustment dial down/off.
- Firing used BBs will cause damage to the airsoft gun.

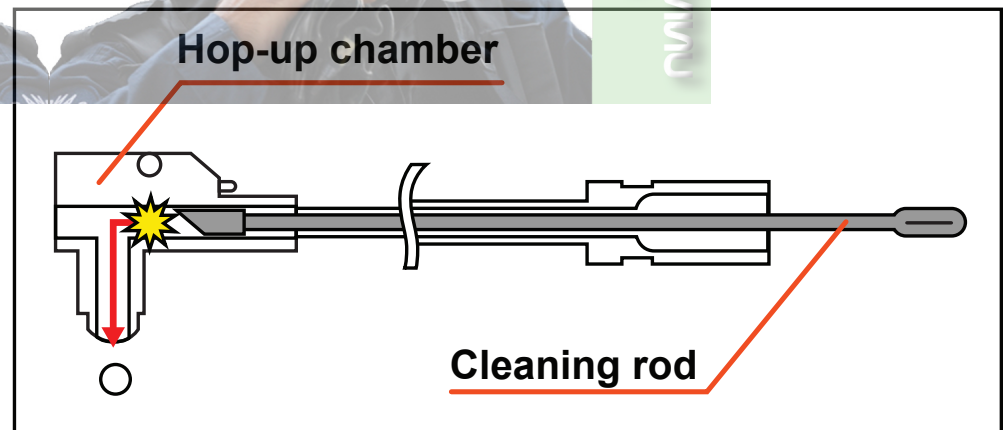


- 1 Spray silicon oil into the hop-up chamber from the mag well for one second. Fire 10-15 BBs to oil inner barrel and hop-up parts.
- 2 With a twisting motion, gently push the cloth and rod down the barrel. May need to use 2-3 cloth strips.

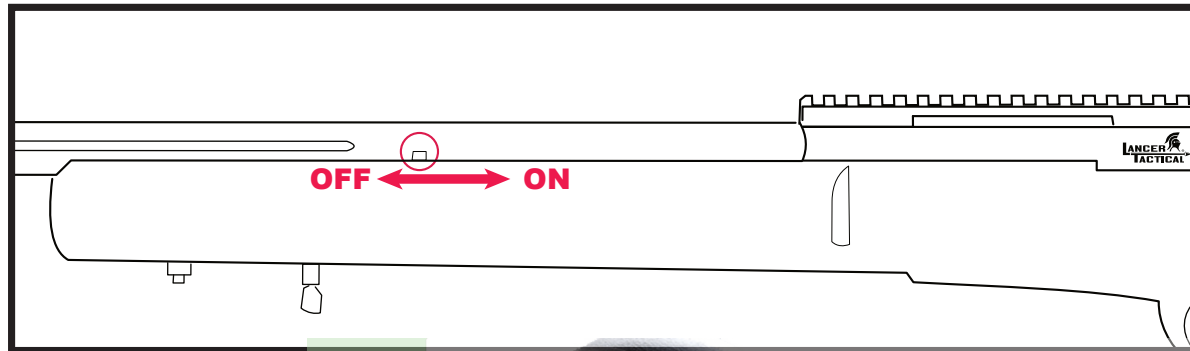
## Jammed BB

If gun is jammed with a BB, follow these steps.

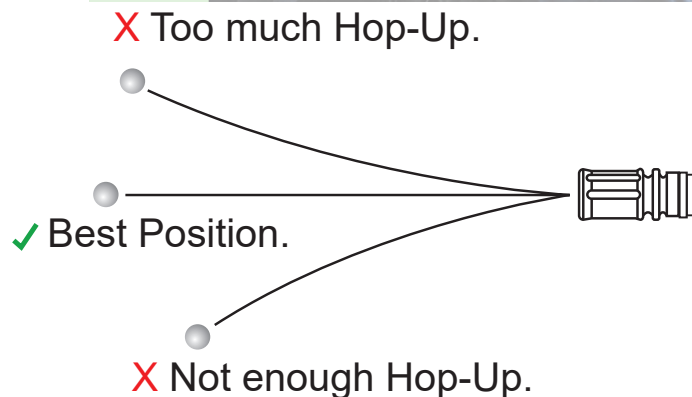
- 1 Detach the MAGAZINE from the gun before proceeding further.
- 2 Turn hop-up to NORMAL/OFF.
- 3 Use the angled end of the cleaning rod to push the BB backwards and out through the loading chamber.
- 4 Make sure to have the angled end as shown. Silicon oil will help loosen the BB.
- 5 Continue firing with a jammed BB will cause severe damage to your airsoft gun.



## Hop-Up System



- 1 Moving the hop-up adjustment slide affects the amount of hop-up, or “back-spin”, of the BBs.
- 2 Shoot 3-5 BBs to test the range and accuracy.
- 3 If not to your satisfaction, repeat steps 1-2.
- 4 Alternate shooting BBs and making adjustments. Adjust the slide until the BBs shoot straight and the longest flying distance is obtained. Once the hop-up is fully adjusted, you are ready to play.



Lancer Tactical offers a limited warranty on all registered products sold by our authorized dealers. This limited warranty covers defects in material and/or workmanship for a period of 1 year from the date of purchase. Proof of purchase must accompany any warranty claim.

Make sure your purchase was made from an authorized dealer before registering your Lancer Tactical product.

For online registration, please scan the QR code provided below, or visit [lancertactical.com/warrantyregistration](http://lancertactical.com/warrantyregistration).



For any customer service or spare parts, please call (888) 279-7776 or email [info@lancertactical.com](mailto:info@lancertactical.com). Business hours are 10am-5pm PST, Monday thru Friday (excluding holidays).

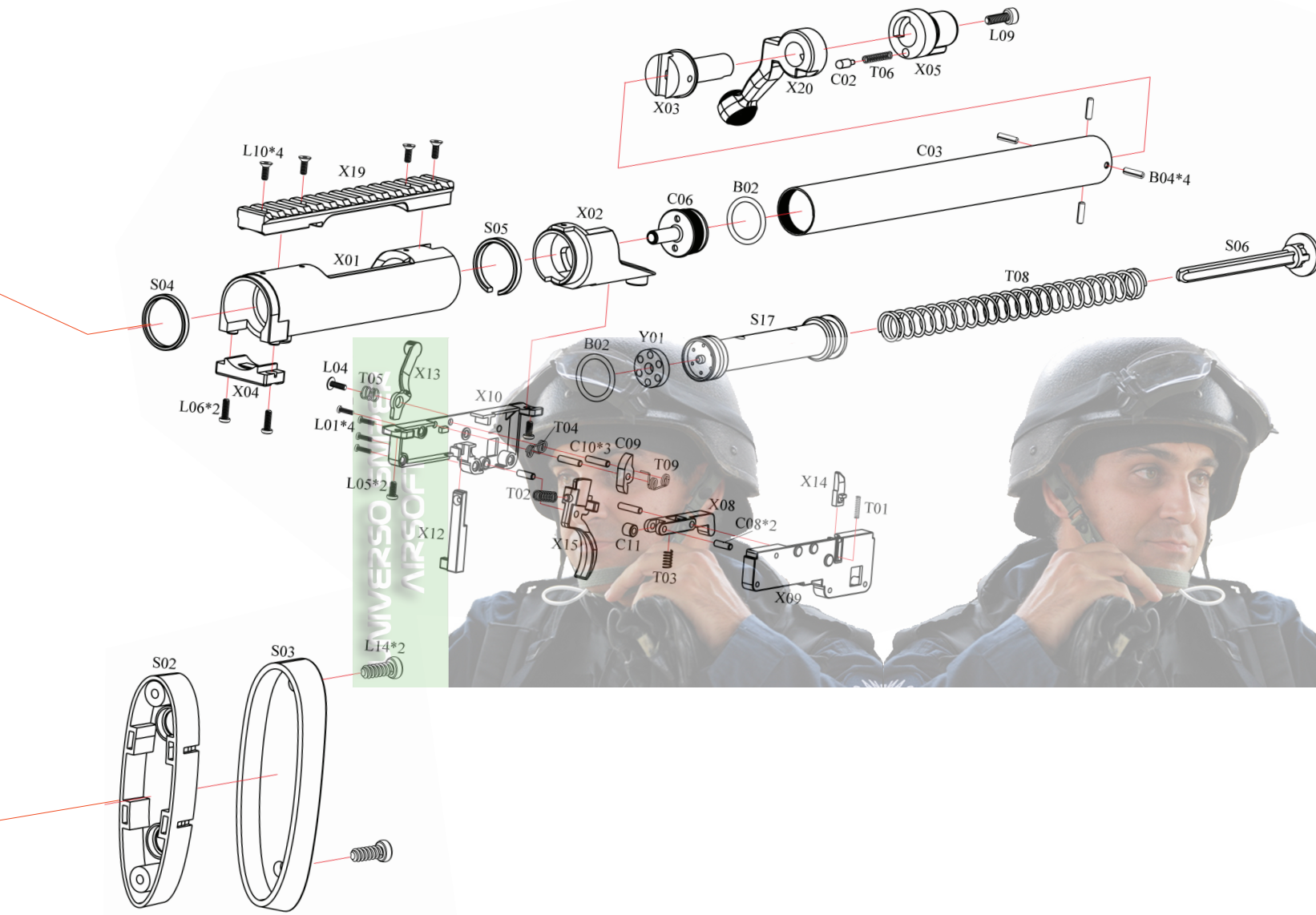
Lancer Tactical  
12140 Altamar Place  
Santa Fe Springs, CA 90670



**SET TO WIN.™**







VISORIO  
 AIRSOFT

VISORIO  
 AIRSOFT