

# LANCER TACTICAL



**LTX-6 PISTOL SERIES**

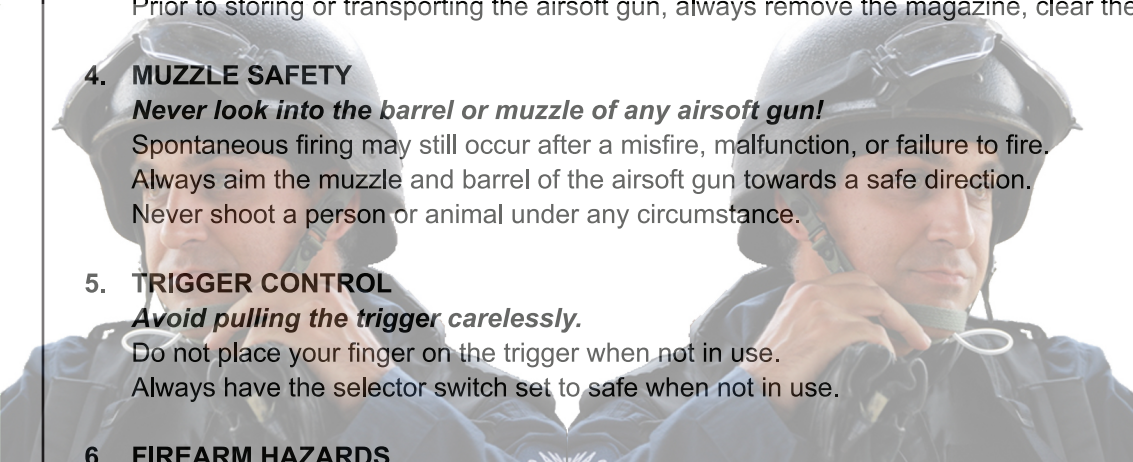


Please read instruction manual.  
For AGES 18 year and older.

**INSTRUCTION MANUAL**

# SAFETY GUIDELINES

Read through the following safety guidelines and warnings in this manual to ensure safe handling and operation of the airsoft gun. Failure to do so may lead to injury or other serious bodily harm, as well as legal liability and potential damage to the product.



## 1. EYE PROTECTION

When operating an airsoft gun, you and all participants **must wear protective eye gear or full-face protection.**

## 2. DANGERS OF BEING MISTAKEN FOR AN ACTUAL FIREARM

Do not use an airsoft gun as part of a practical joke or prank; you may be punished under federal, state, or local law. **Never carry or brandish an airsoft gun in any public area.**

## 3. TRANSPORT & STORAGE

Always have your airsoft gun in a carrying case or bag when transporting between locations.

Always set the selector switch to safe when storing your airsoft gun.

Prior to storing or transporting the airsoft gun, always remove the magazine, clear the chamber, and disconnect battery.

## 4. MUZZLE SAFETY

**Never look into the barrel or muzzle of any airsoft gun!**

Spontaneous firing may still occur after a misfire, malfunction, or failure to fire.

Always aim the muzzle and barrel of the airsoft gun towards a safe direction.

Never shoot a person or animal under any circumstance.

## 5. TRIGGER CONTROL

**Avoid pulling the trigger carelessly.**

Do not place your finger on the trigger when not in use.

Always have the selector switch set to safe when not in use.

## 6. FIREARM HAZARDS

Always assume the airsoft gun is loaded with BBs.

Do not fire the airsoft gun in an unsafe direction, even if the magazine is removed.

The airsoft gun may still be loaded with BBs even if the magazine is removed, and may still discharge.

## 7. WARRANTY & CARE

Modifications and alterations to your airsoft gun will void all warranty claims.

Follow proper cleaning of your airsoft gun according to the manual to ensure safe shooting performance.

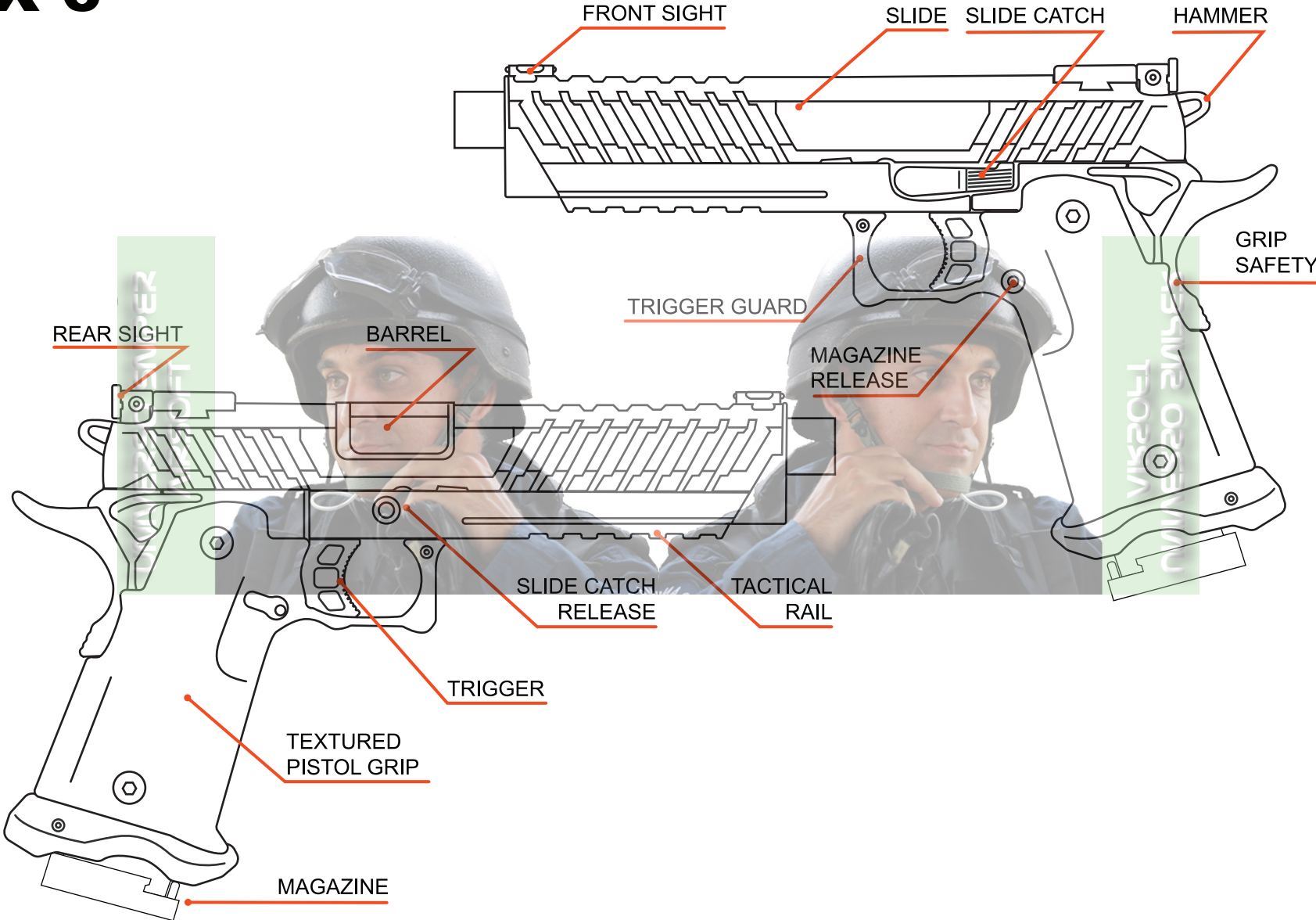
Warranty does not cover normal wear & tear, nor does it cover abuse of the airsoft gun.

## 8. ORANGE TIP

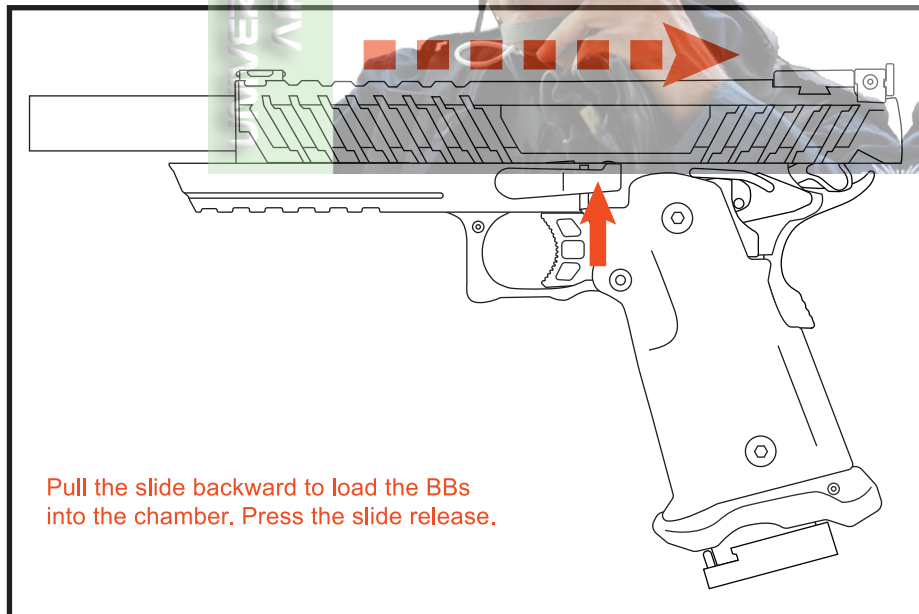
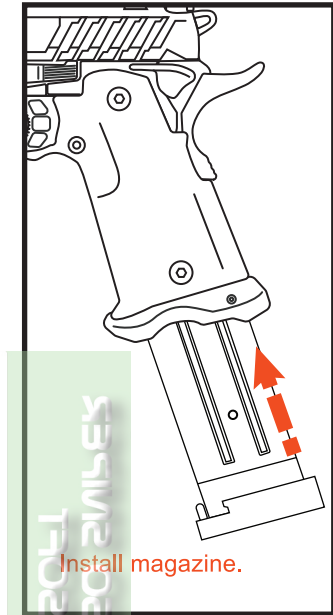
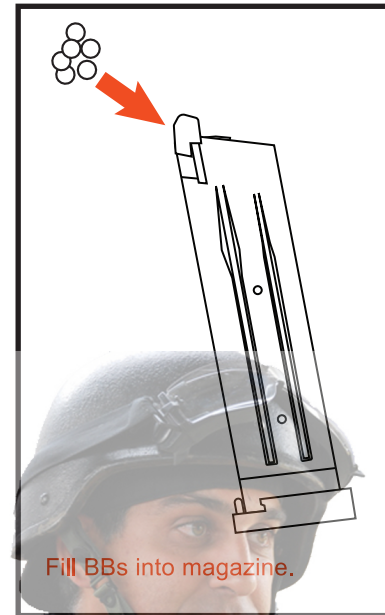
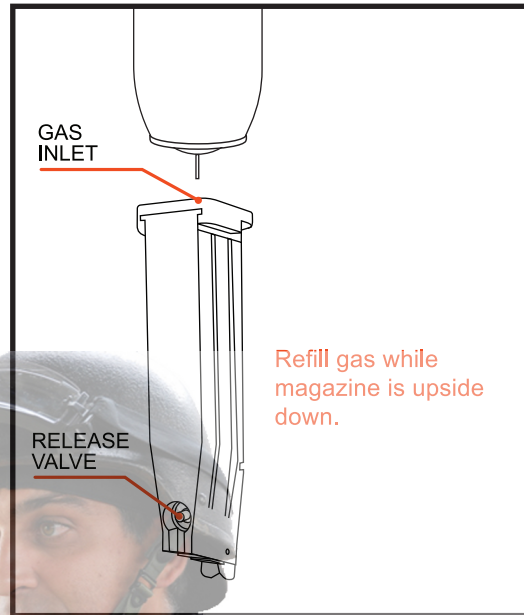
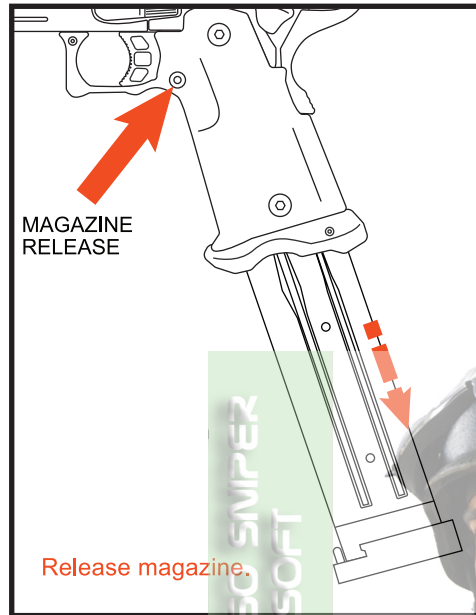
**The removal or color alteration to the orange tip may be illegal under Federal and State Law (check your region).**

The owners and/or users shall assume all risk, and will be held personally responsible for any modifications.

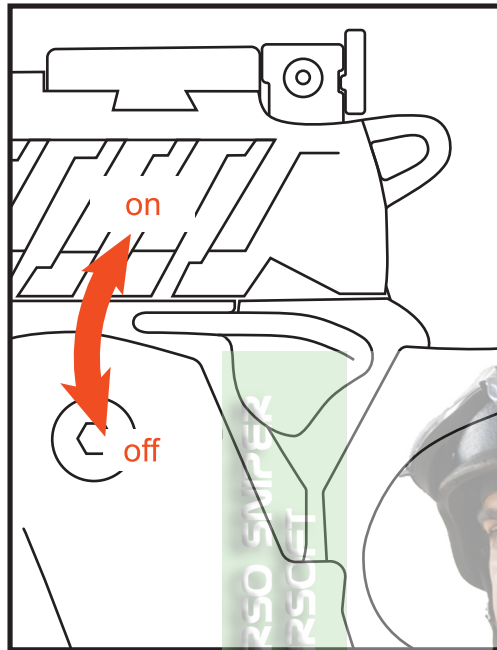
LTX-6



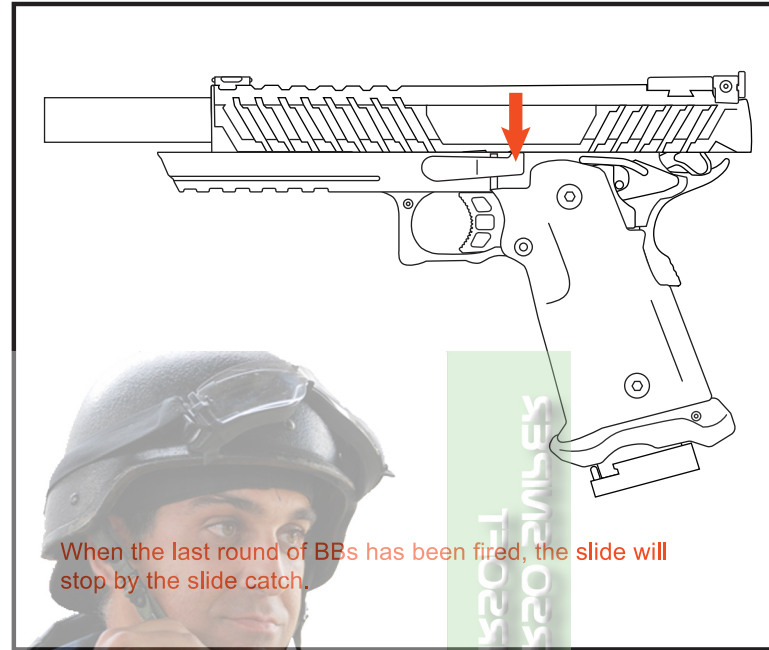
# LOAD PISTOL



# SAFETY FEATURES & HOP-UP



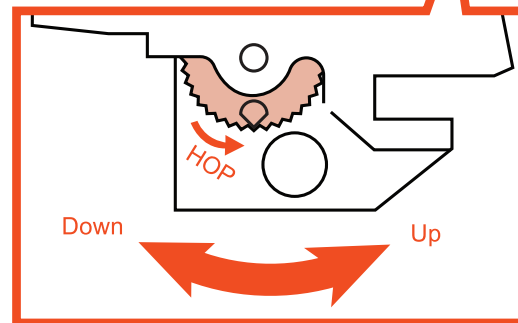
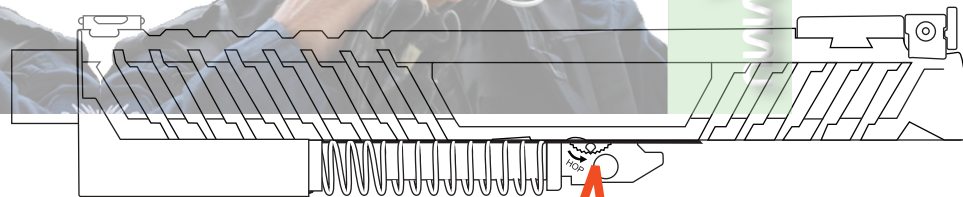
Half lock: setting the hammer in-between. In this state, the pistol is set to safety.



When the last round of BBs has been fired, the slide will stop by the slide catch.

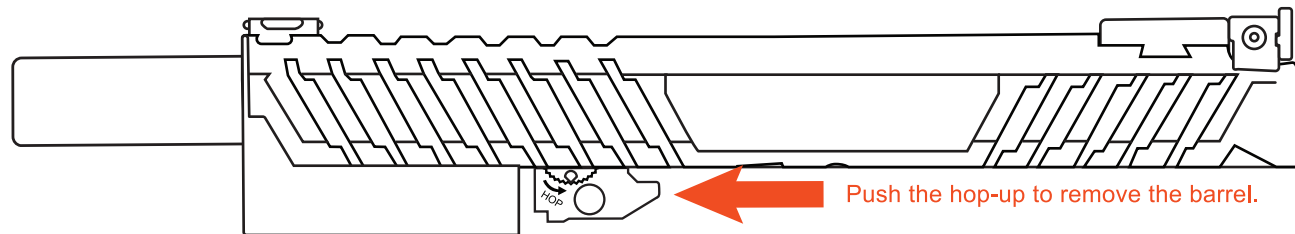
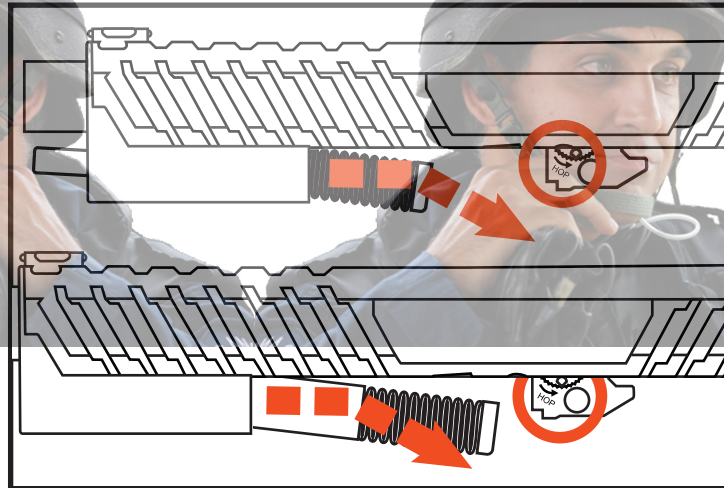
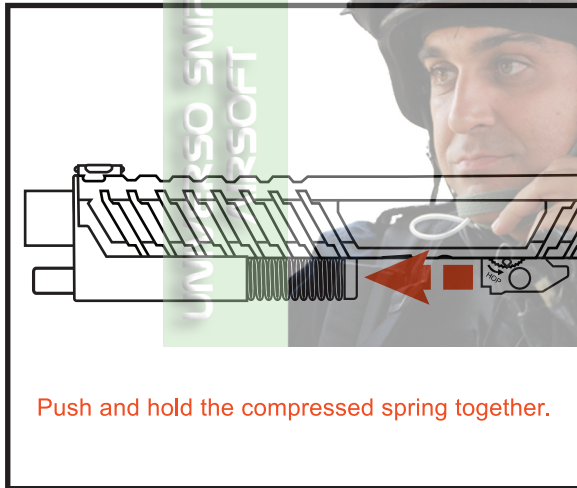
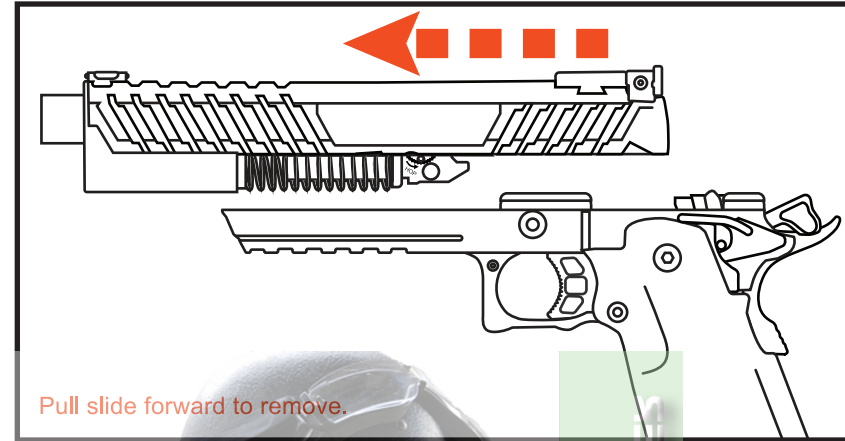
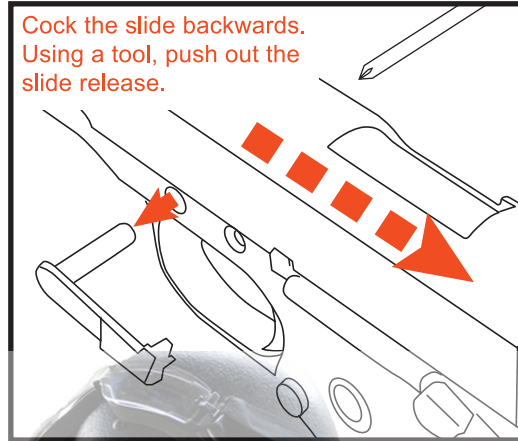
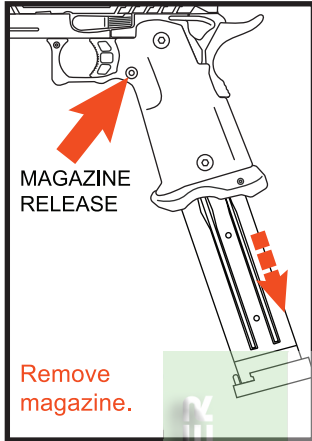


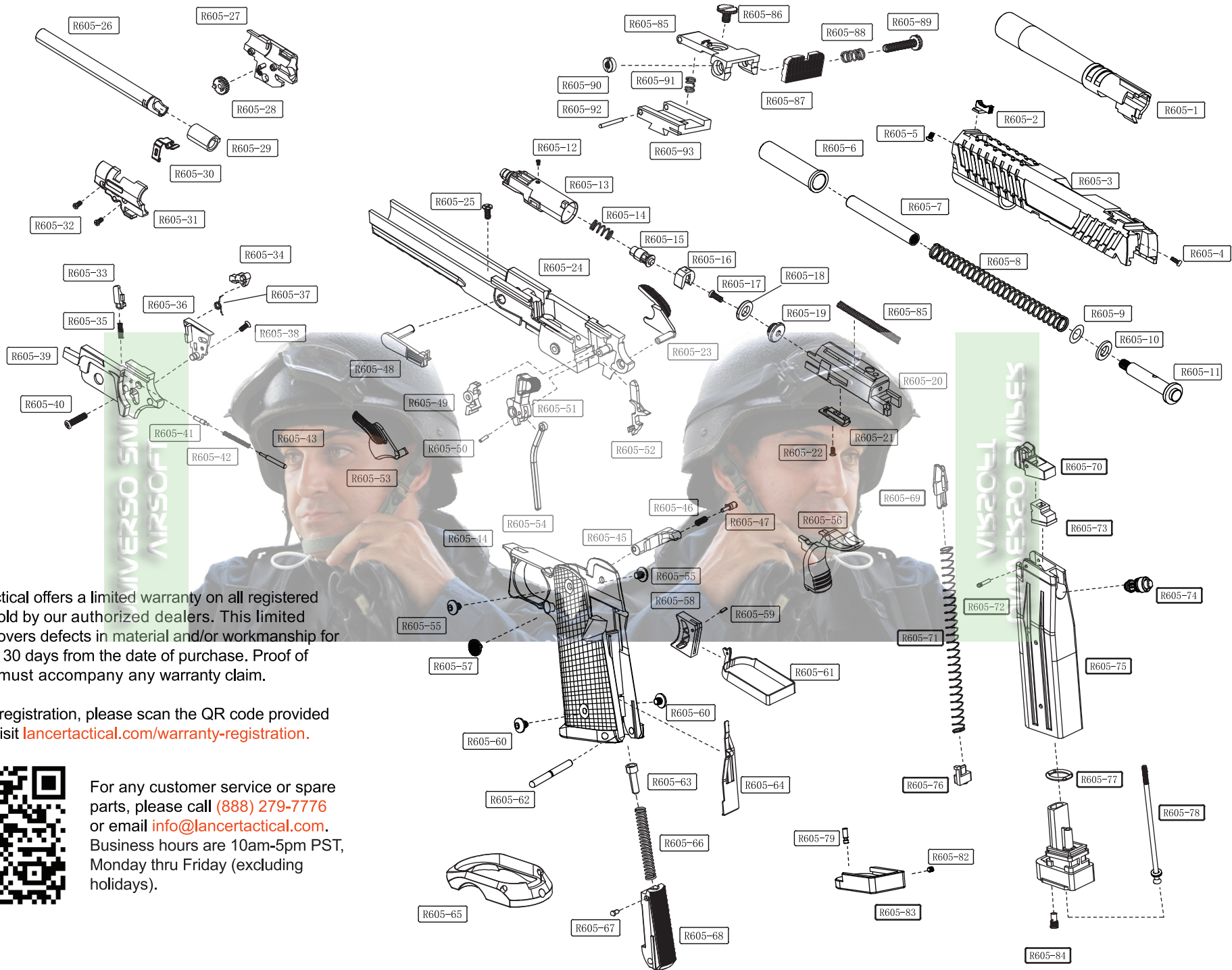
Grip safety is a lever situated on the pistol grip which must be actuated by the operator's hand. Only by naturally grasping down can the pistol fire.



The hop-up system can adjust the trajectory of BBs fly up or downward.

# DISASSEMBLY





Lancer Tactical offers a limited warranty on all registered products sold by our authorized dealers. This limited warranty covers defects in material and/or workmanship for a period of 30 days from the date of purchase. Proof of purchase must accompany any warranty claim.

For online registration, please scan the QR code provided below, or visit [lancertactical.com/warranty-registration](http://lancertactical.com/warranty-registration).



For any customer service or spare parts, please call (888) 279-7776 or email [info@lancertactical.com](mailto:info@lancertactical.com). Business hours are 10am-5pm PST, Monday thru Friday (excluding holidays).



**LANCERTACTICAL.COM**

12140 Altamar Place  
Santa Fe Springs, CA 90670, USA